



US00D566099S

(12) **United States Design Patent**  
**Komiyama**

(10) **Patent No.:** **US D566,099 S**

(45) **Date of Patent:** **\*\* Apr. 8, 2008**

(54) **HEADPHONE**

(75) Inventor: **Jun Komiyama**, Tokyo (JP)

(73) Assignee: **Sony Corporation**, Tokyo (JP)

(\*\*) Term: **14 Years**

(21) Appl. No.: **29/272,671**

(22) Filed: **Feb. 15, 2007**

(51) **LOC (8) Cl.** ..... **14-01**

(52) **U.S. Cl.** ..... **D14/206**

(58) **Field of Classification Search** ..... D14/205,  
D14/206, 223; D24/174; 379/430; 181/129,  
181/130, 135, 149; 381/313, 328, 330, 380,  
381/381, 151, 173, 322, 370

See application file for complete search history.

(56) **References Cited**

**U.S. PATENT DOCUMENTS**

3,197,576	A *	7/1965	Martin	.....	381/322
4,588,867	A *	5/1986	Konomi	.....	379/430
D311,007	S *	10/1990	Daido	.....	D14/205
D318,865	S *	8/1991	Ichikawa	.....	D14/205
D357,921	S	5/1995	Ming-Chin		
5,867,582	A *	2/1999	Nagayoshi	.....	381/370
5,953,435	A *	9/1999	Mullin et al.	.....	381/380
D431,553	S	10/2000	Suzuki		
D459,342	S *	6/2002	Marion et al.	.....	D14/223
D463,397	S *	9/2002	Bergfeldt	.....	D14/205

D469,753	S *	2/2003	Andre et al.	.....	D14/205
D474,171	S	5/2003	Suzuki		
6,574,345	B1 *	6/2003	Huang	.....	381/380
D485,548	S	1/2004	Obata		
D487,077	S	2/2004	Obata		
D539,268	S *	3/2007	Suzuki	.....	D14/206

**FOREIGN PATENT DOCUMENTS**

JP D1247837 S 8/2005

\* cited by examiner

*Primary Examiner*—Paula A. Greene

(74) *Attorney, Agent, or Firm*—Rader, Fishman & Grauer, PLLC

(57) **CLAIM**

The ornamental design for a headphone, as shown.

**DESCRIPTION**

FIG. 1 is a perspective view of a headphone showing my new design;

FIG. 2 is a front elevational view thereof;

FIG. 3 is a rear elevational view thereof;

FIG. 4 is a left side elevational view thereof;

FIG. 5 is a right side elevational view thereof;

FIG. 6 is a top plan view thereof; and,

FIG. 7 is a bottom plan view thereof.

**1 Claim, 7 Drawing Sheets**

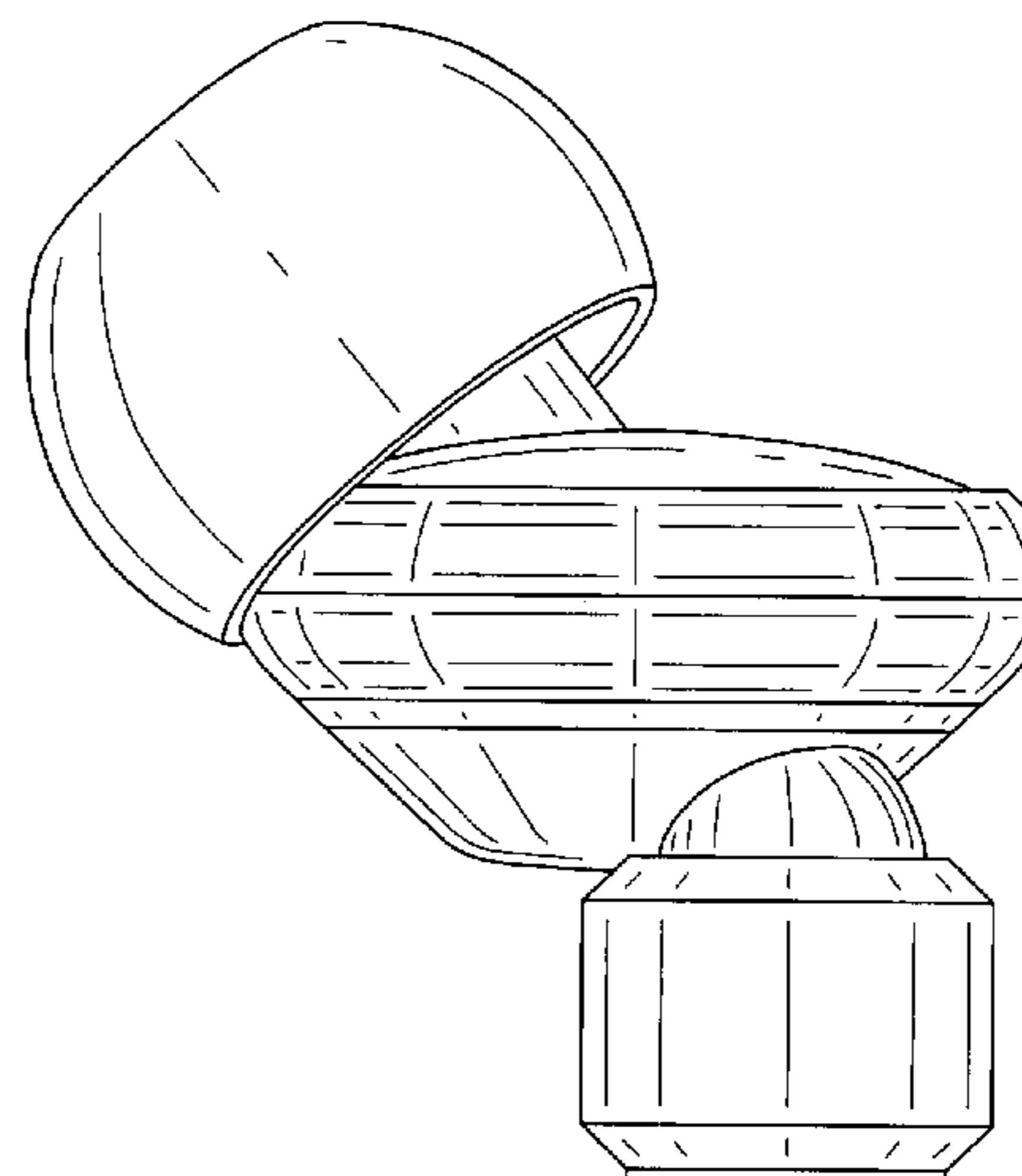
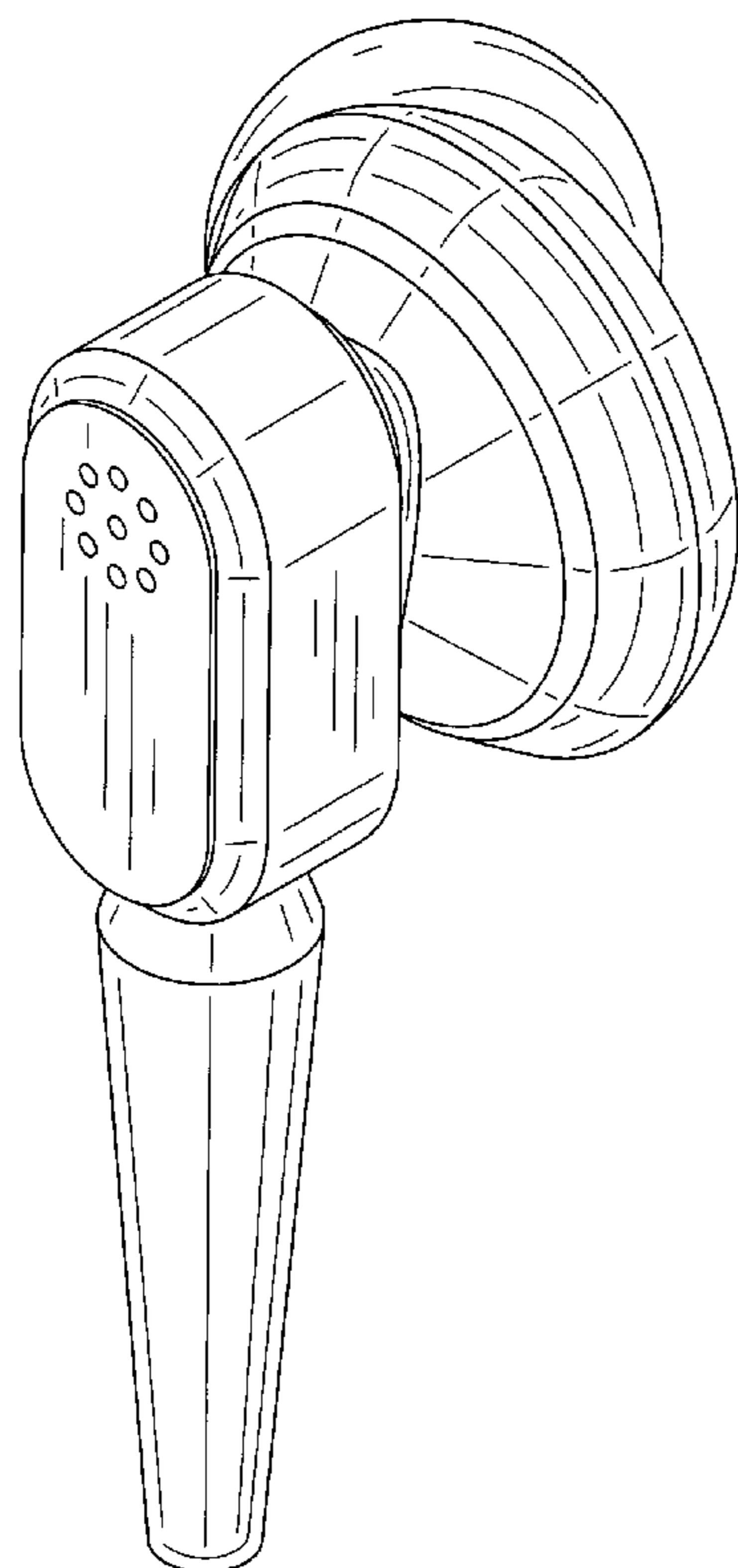


Fig. 1

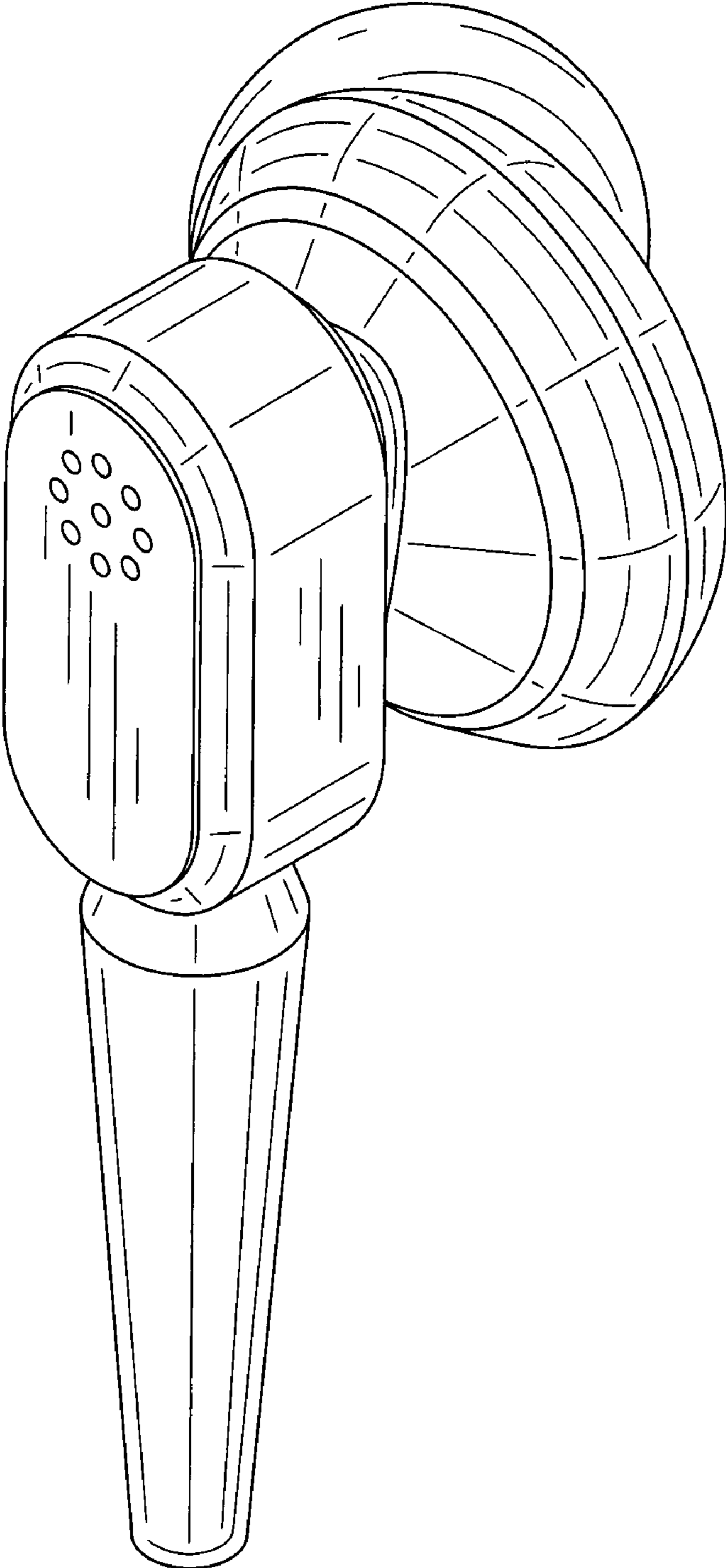


Fig.2

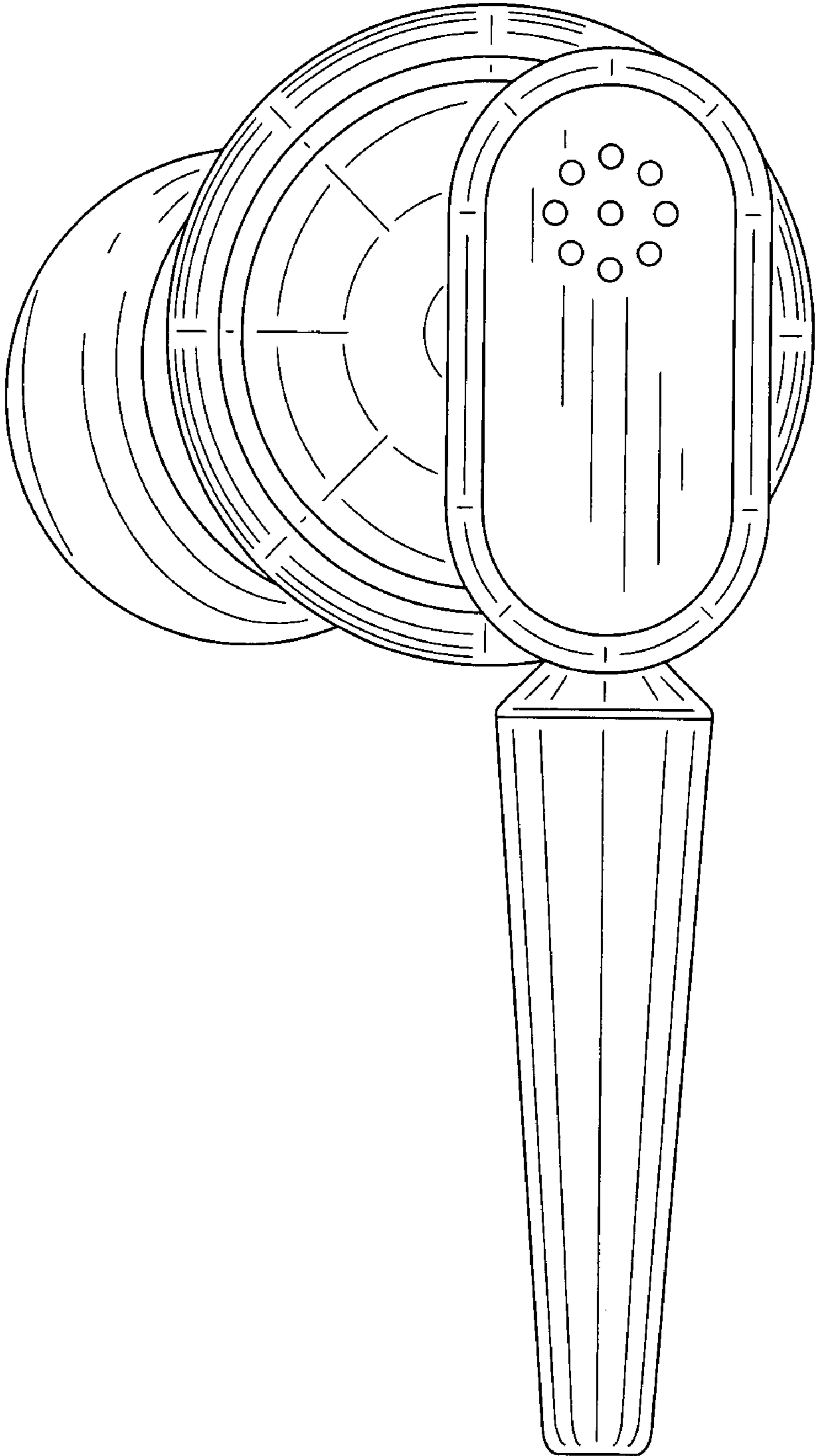


Fig.3

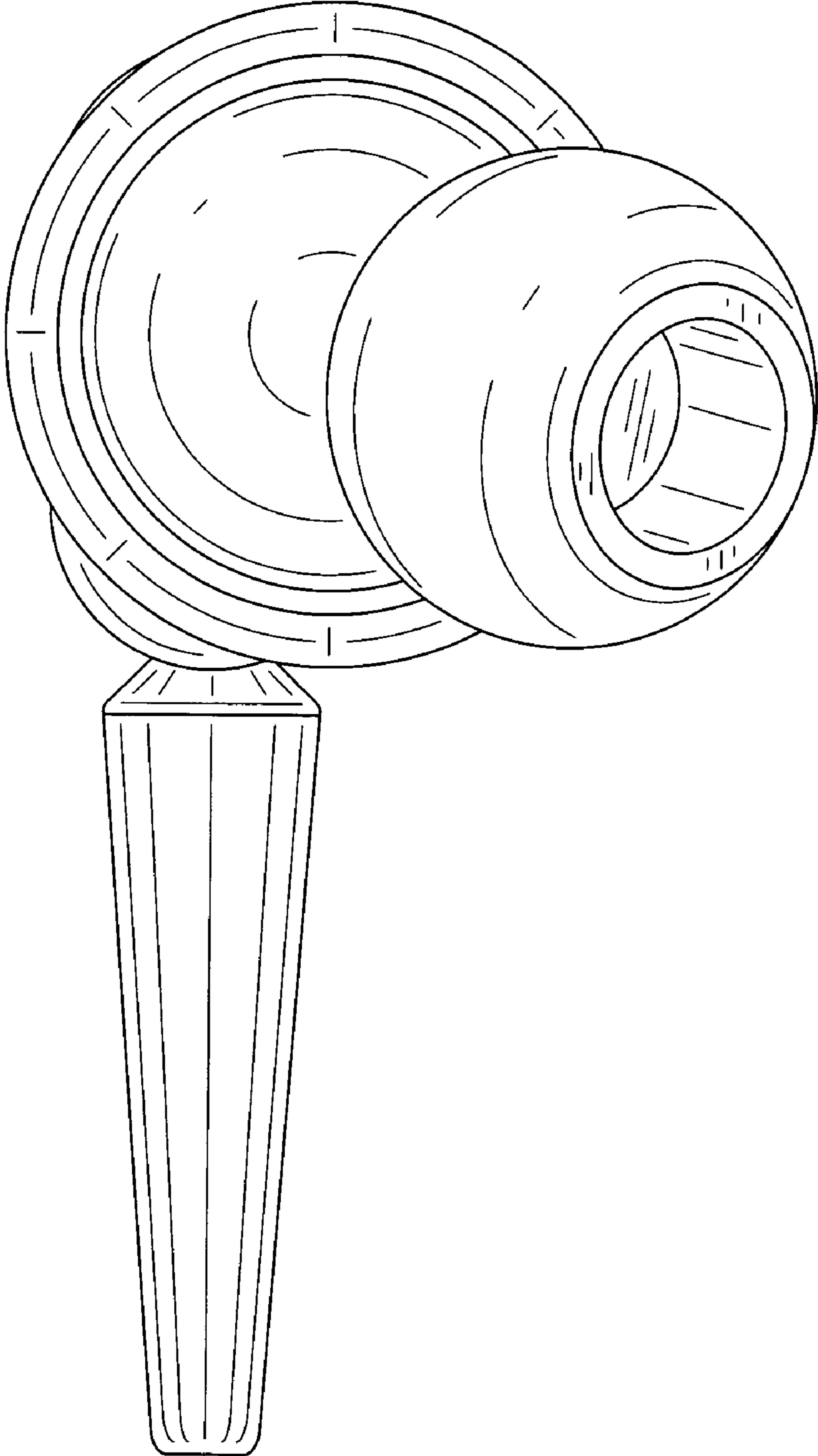


Fig.4

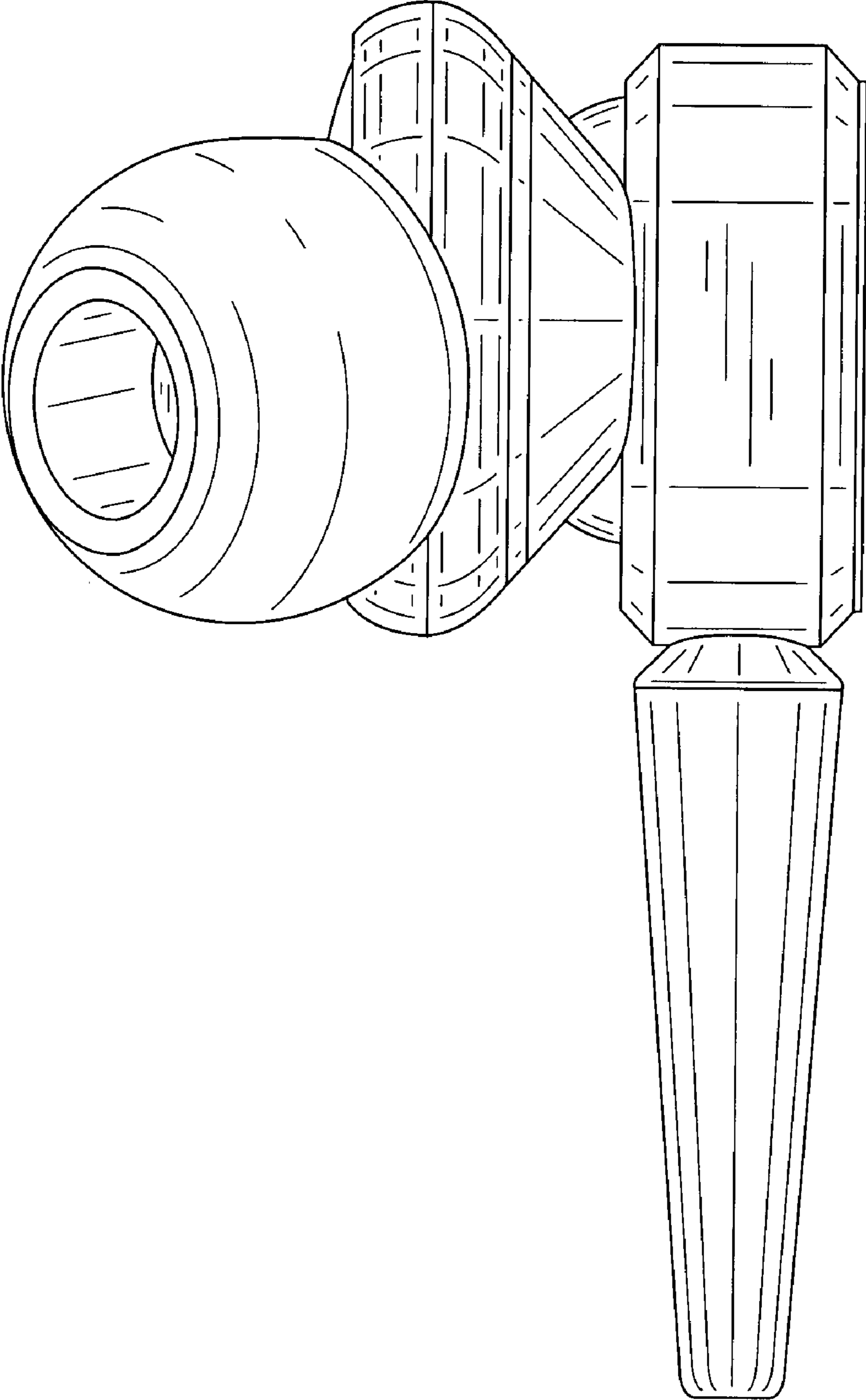


Fig.5

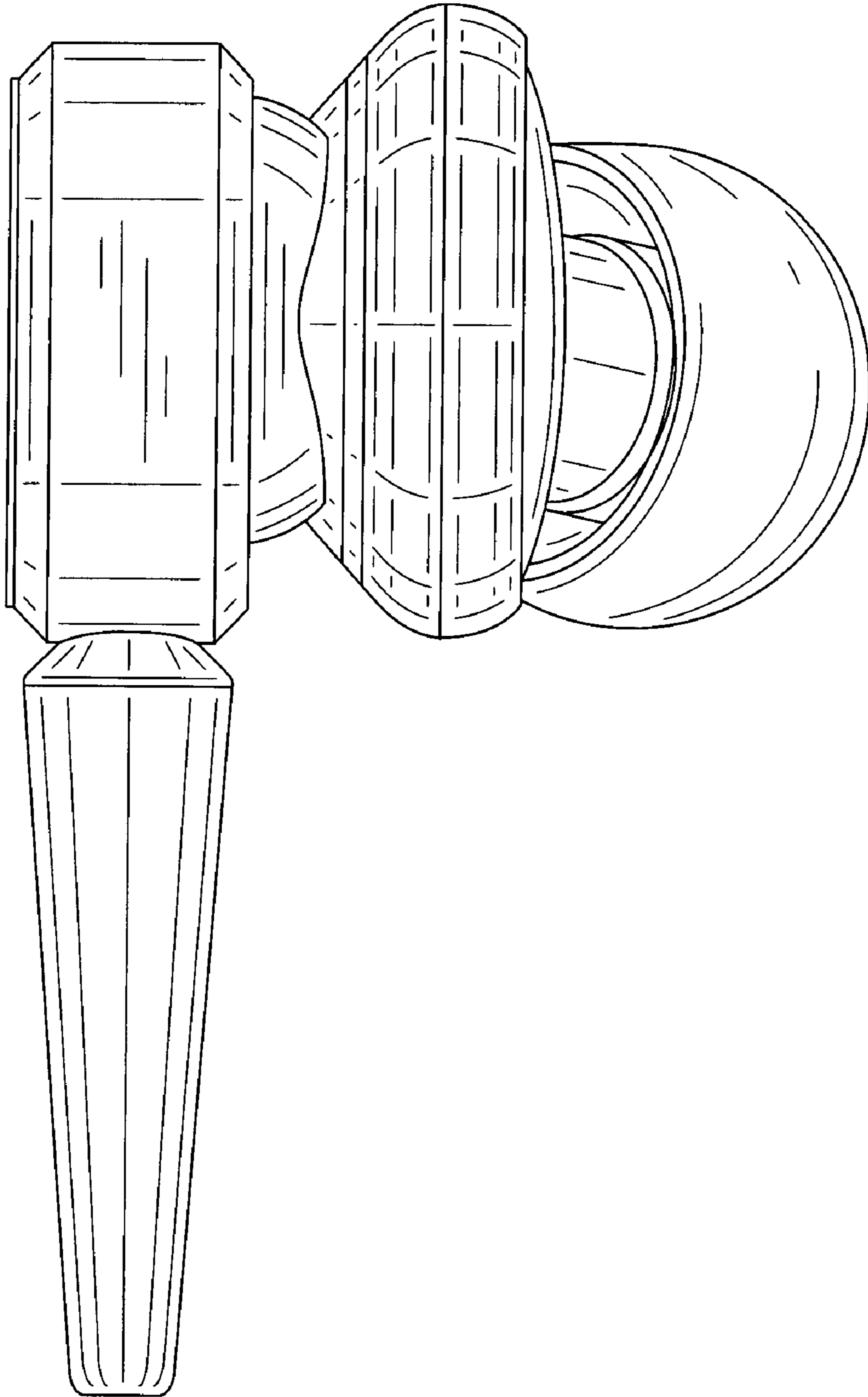


Fig.6

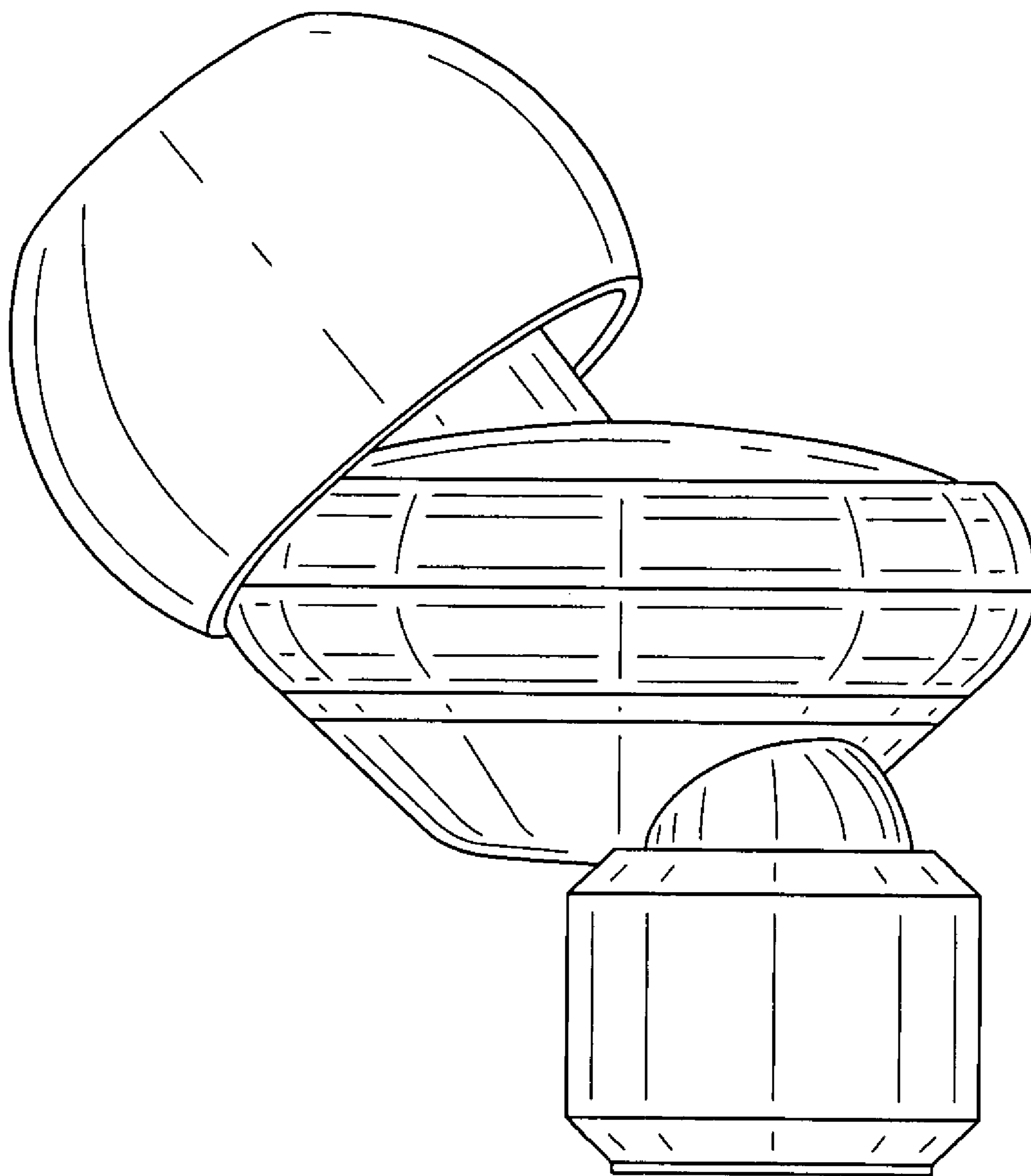


Fig.7

