



US00D566098S

(12) **United States Design Patent**  
**Suzuki**

(10) **Patent No.:** **US D566,098 S**

(45) **Date of Patent:** **\*\* Apr. 8, 2008**

(54) **COMBINED RADIO RECEIVER AND CLOCK**

(75) Inventor: **Satoshi Suzuki**, Tokyo (JP)

(73) Assignee: **Sony Corporation**, Tokyo (JP)

(\*\*) Term: **14 Years**

(21) Appl. No.: **29/268,075**

(22) Filed: **Oct. 30, 2006**

(51) **LOC (8) Cl.** ..... **14-03**

(52) **U.S. Cl.** ..... **D14/171**

(58) **Field of Classification Search** ..... D14/137,  
D14/155, 156, 168, 170, 171, 193-198, 217,  
D14/496; D10/1, 2, 15; 312/7.1; 369/6-12;  
455/91, 95, 100, 128, 344, 347, 350, 351  
See application file for complete search history.

(56) **References Cited**

**U.S. PATENT DOCUMENTS**

D339,346 S *	9/1993	Pepall .....	D14/171
D347,008 S *	5/1994	Theisen et al. ....	D14/160
D359,694 S *	6/1995	Reeve, Jr. ....	D10/15
D372,435 S *	8/1996	Bellomo et al. ....	D10/106
D377,650 S	1/1997	Obata	
D385,561 S *	10/1997	Audoin .....	D14/171
D417,870 S *	12/1999	Kokkinis .....	D14/171
D455,142 S *	4/2002	Saitoh .....	D14/168
D456,381 S	4/2002	Momsen et al.	
D457,869 S	5/2002	Narita	
D460,431 S	7/2002	Narita	
D467,564 S	12/2002	Obata	
D503,395 S	3/2005	Hirano	
D512,418 S *	12/2005	Sarasjoki .....	D14/253

**FOREIGN PATENT DOCUMENTS**

JP D1161110 S 12/2002

\* cited by examiner

*Primary Examiner*—Stella M. Reid

*Assistant Examiner*—Keli' L. Acker

(74) *Attorney, Agent, or Firm*—Rader, Fishman & Grauer, PLLC

(57) **CLAIM**

The ornamental design for a combined radio receiver and clock, as shown and described.

**DESCRIPTION**

FIG. 1 is a perspective view of an embodiment of a combined radio receiver and clock showing my new design; FIG. 2 is a front elevational view thereof; FIG. 3 is a rear elevational view thereof; FIG. 4 is a left side elevational view thereof; FIG. 5 is a right side elevational view thereof; FIG. 6 is a top plan view thereof; FIG. 7 is a bottom plan view thereof; FIG. 8 is a perspective view of another embodiment of a combined radio receiver and clock showing my new design; FIG. 9 is a front elevational view thereof; FIG. 10 is a rear elevational view thereof; FIG. 11 is a left side elevational view thereof; FIG. 12 is a right side elevational view thereof; FIG. 13 is a top plan view thereof; and, FIG. 14 is a bottom plan view thereof.

Portions of FIGS. 1-14 that are shown as broken lines are for illustrative purpose only and form no part of the claimed design. The dot-dash broken lines shown in FIGS. 1, 2, and 6, define but are not included in, the boundaries of the claimed design.

**1 Claim, 14 Drawing Sheets**

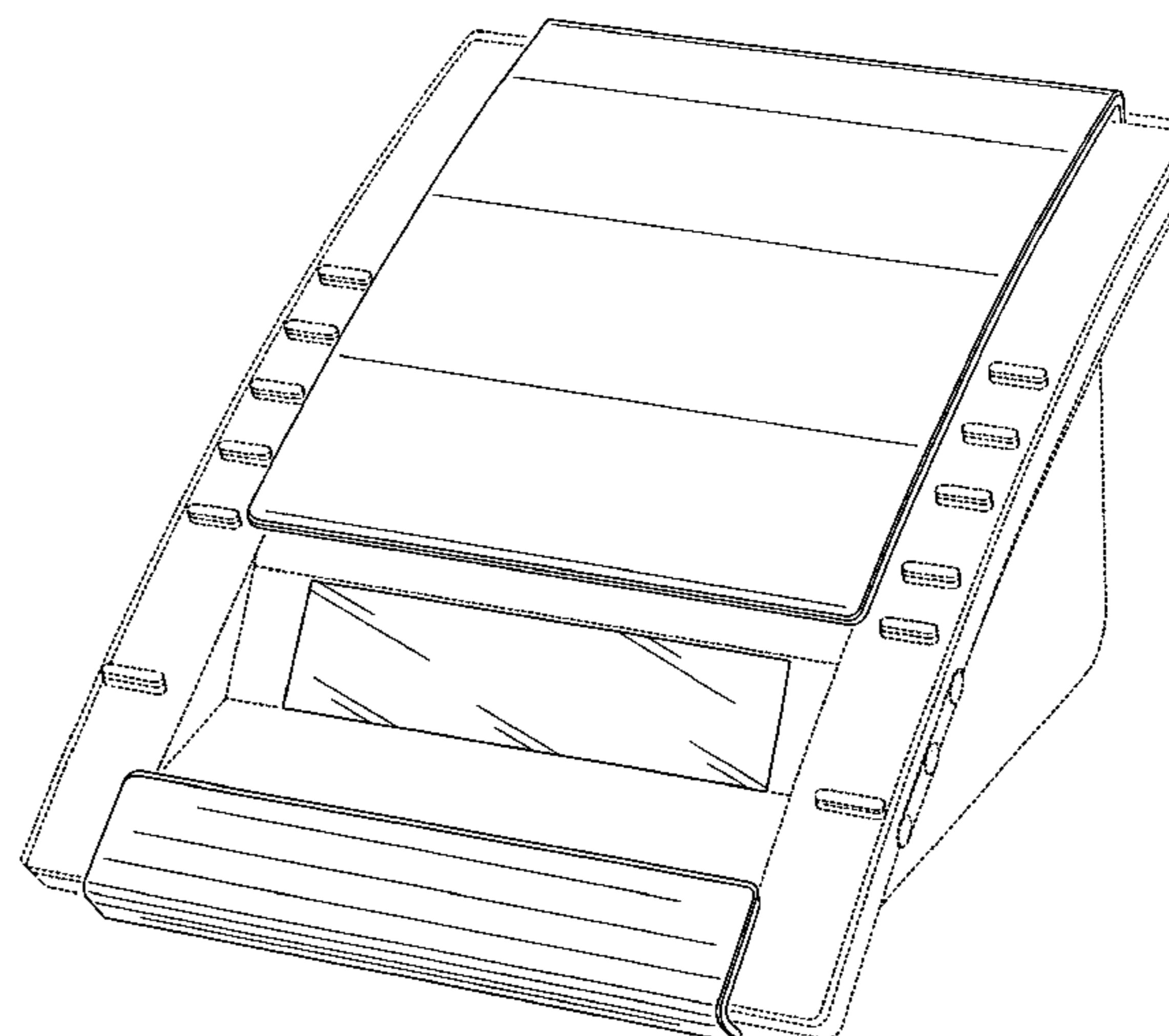
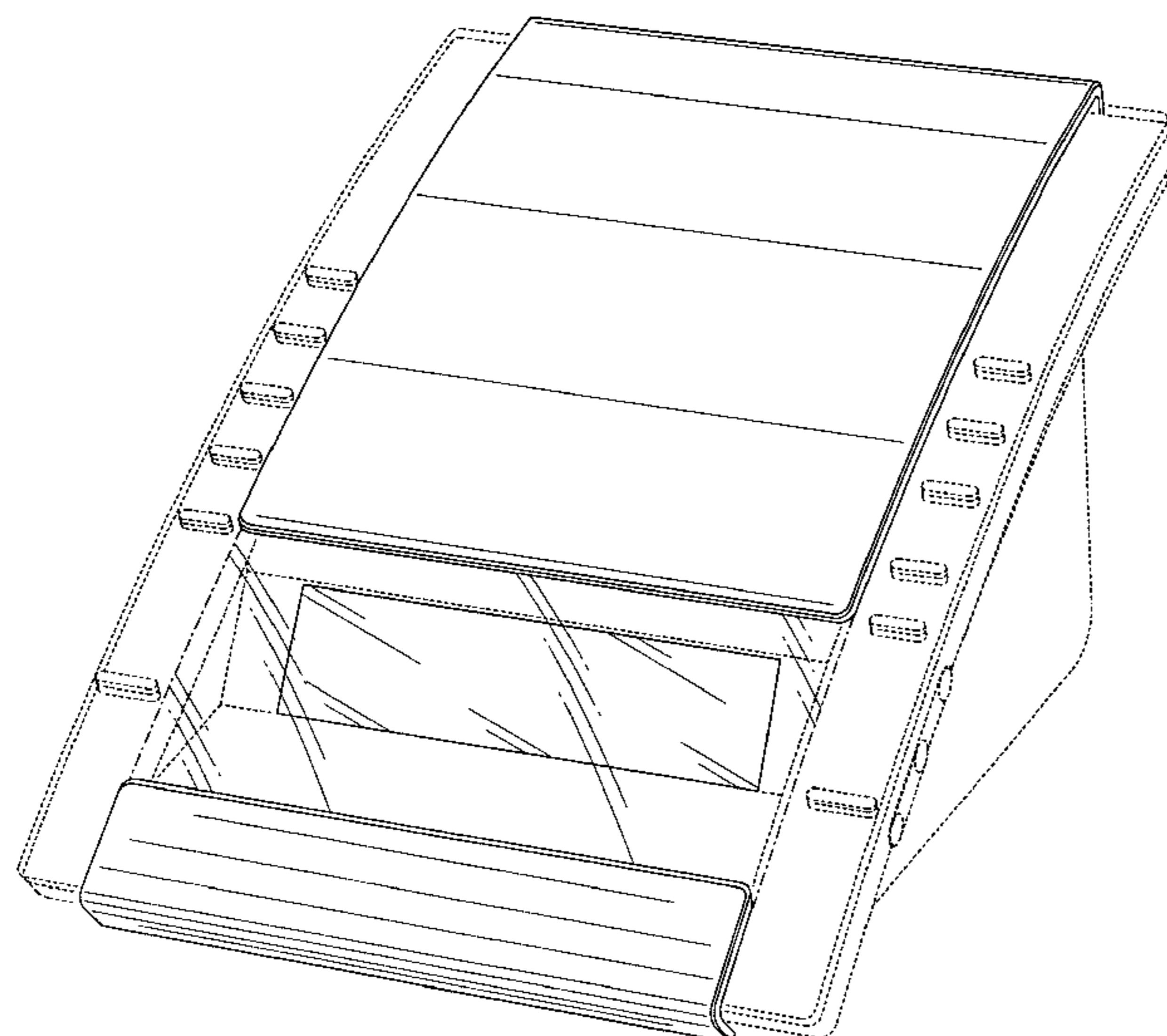


Fig.1

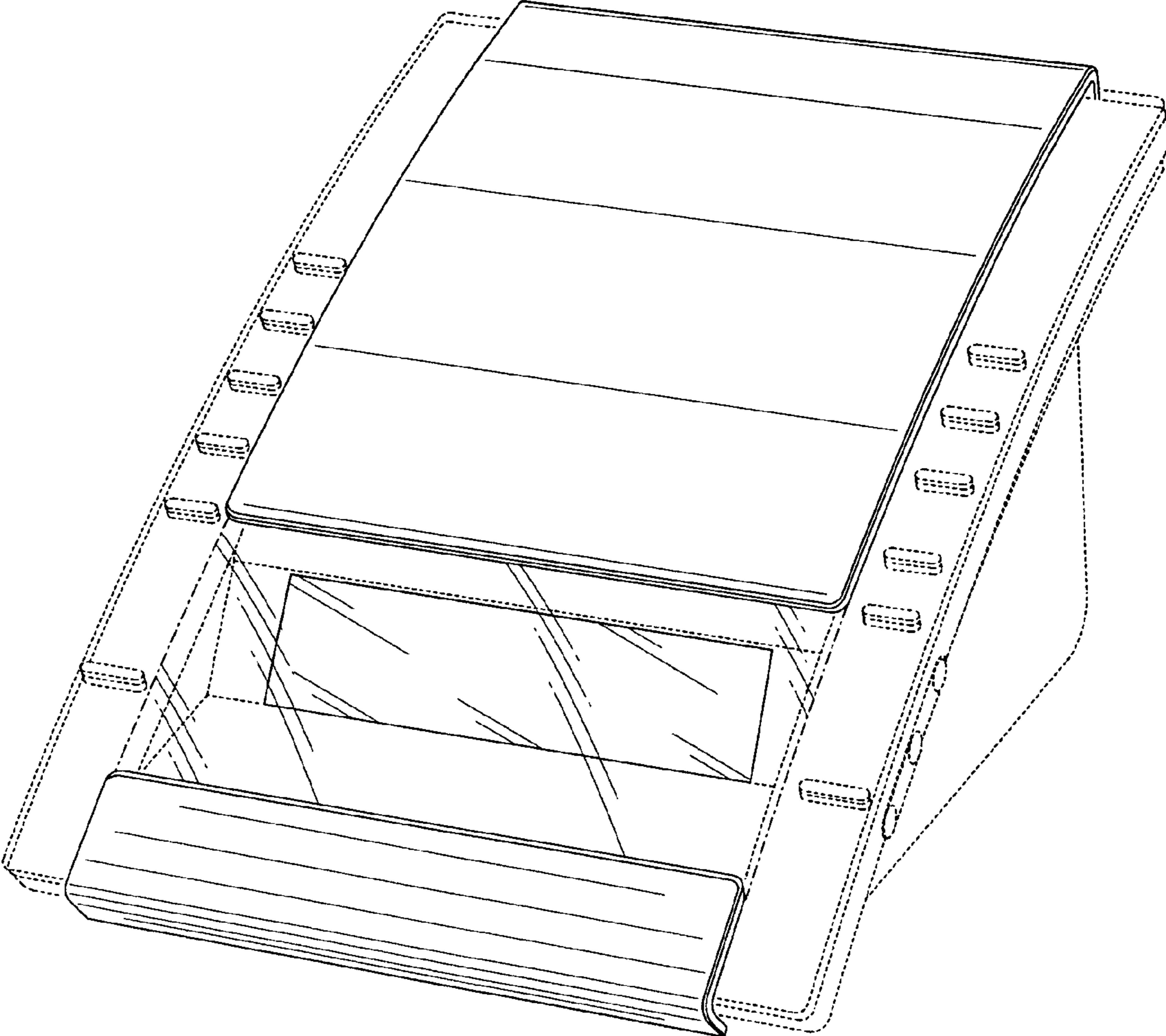


Fig.2

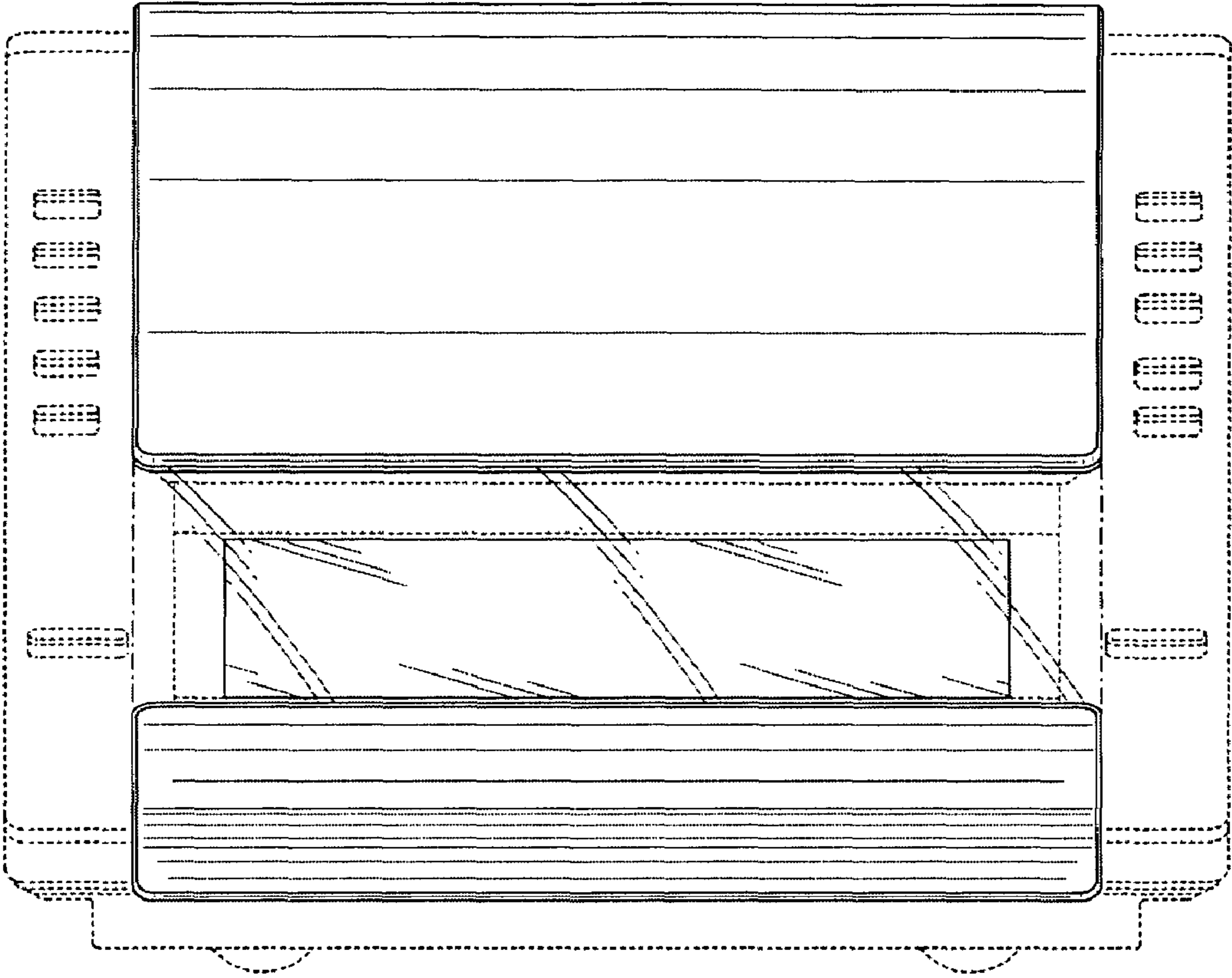


Fig.3

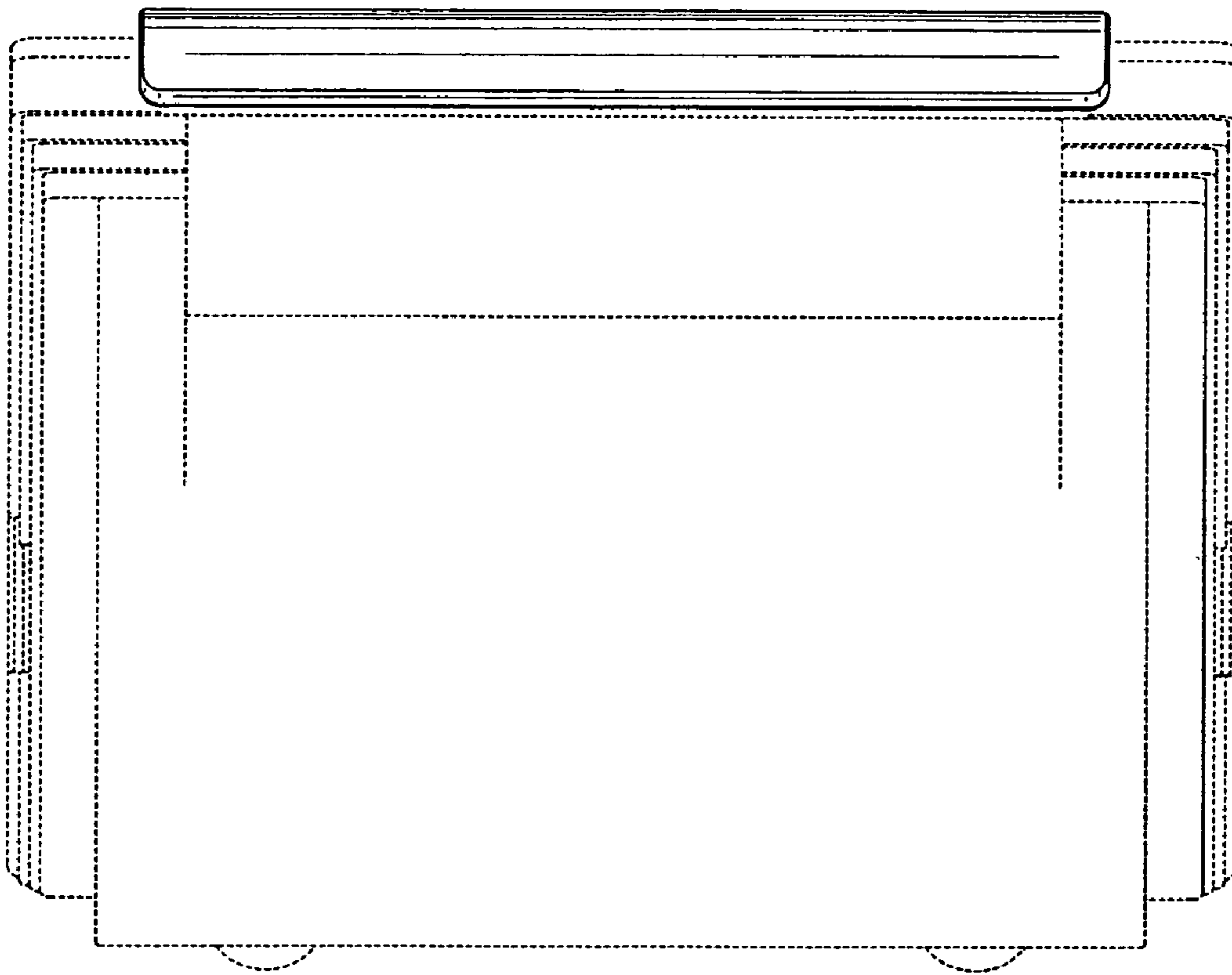


Fig.4

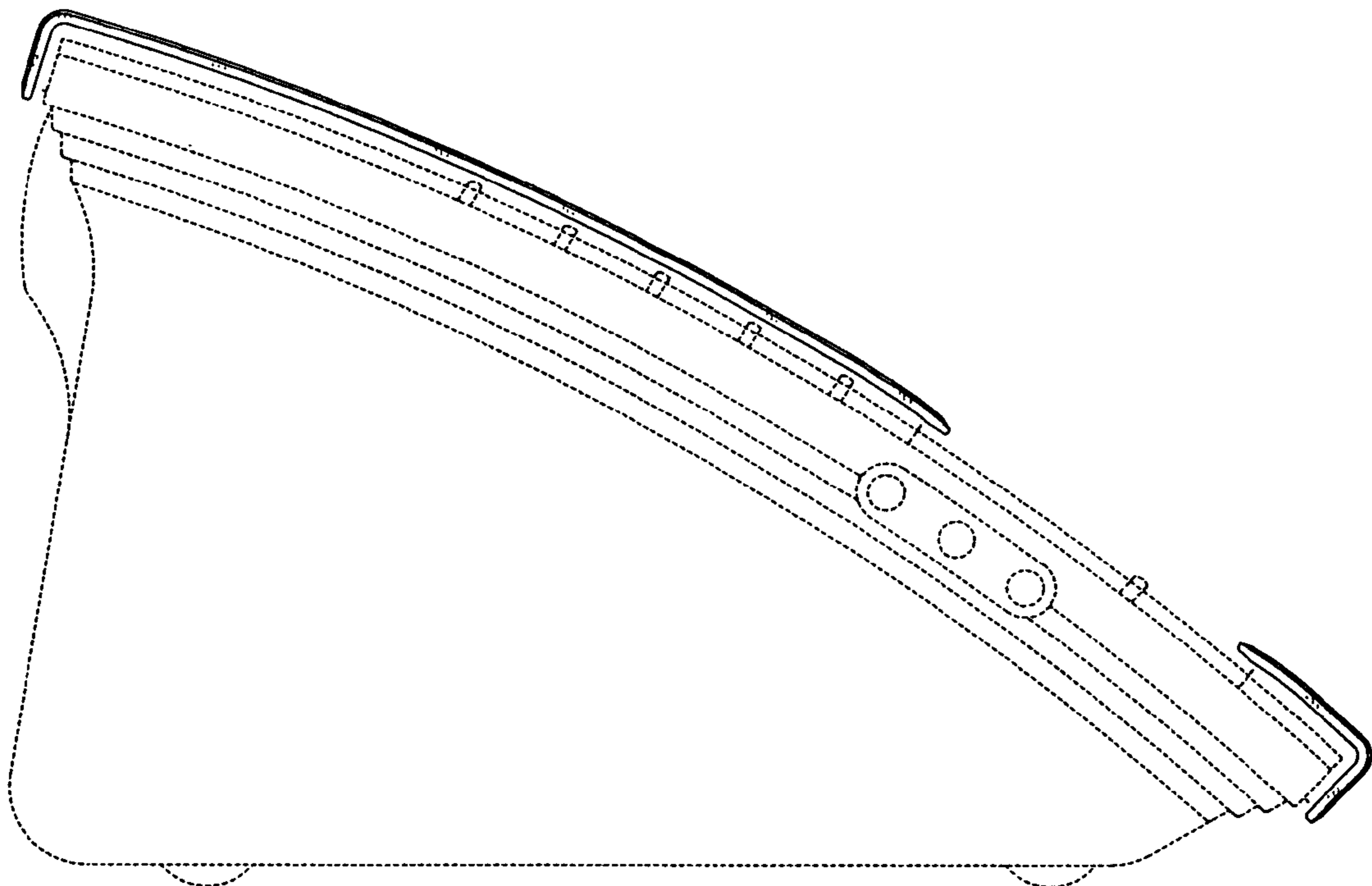


Fig.5

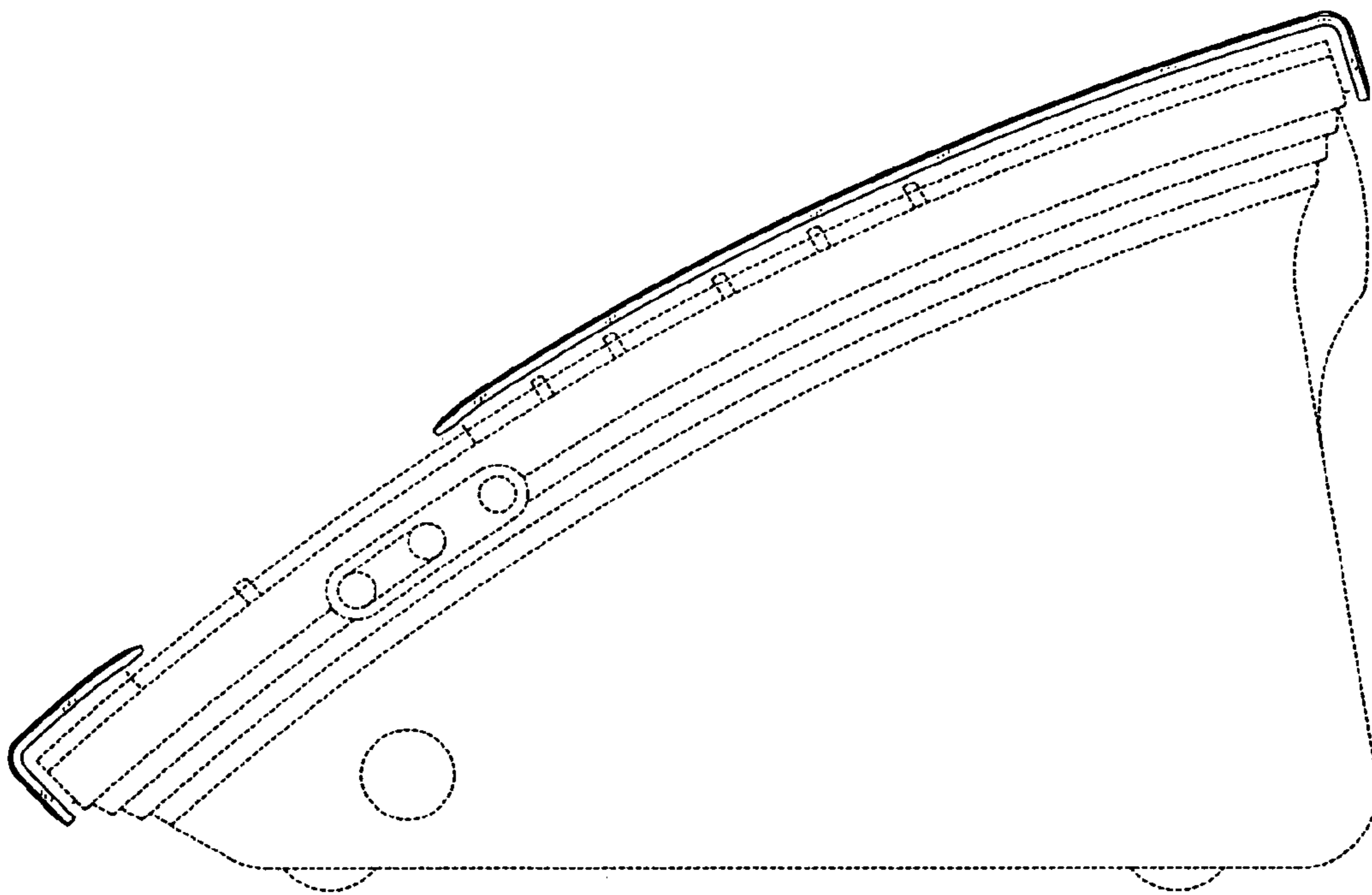


Fig.6

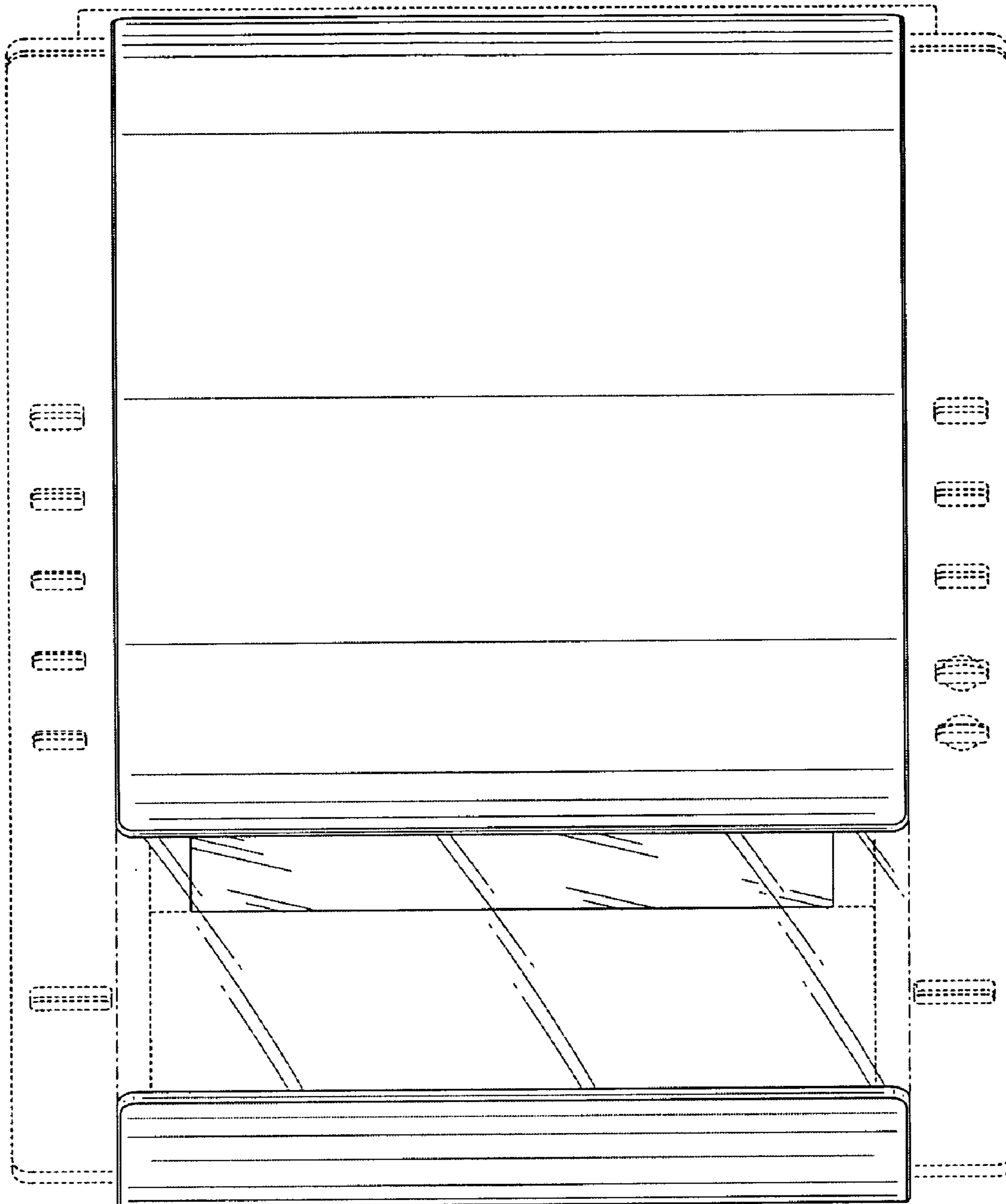


Fig.7

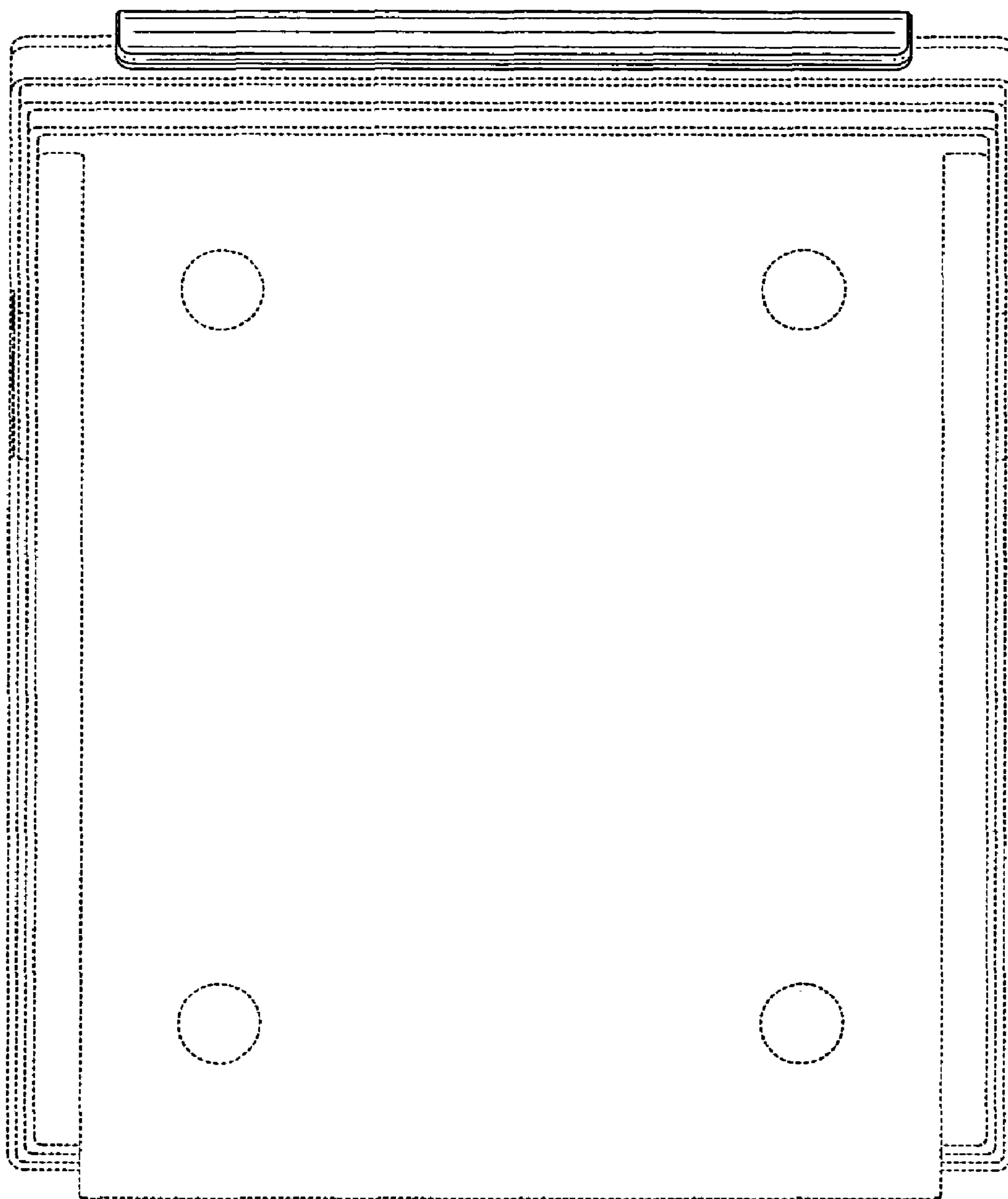




Fig.8

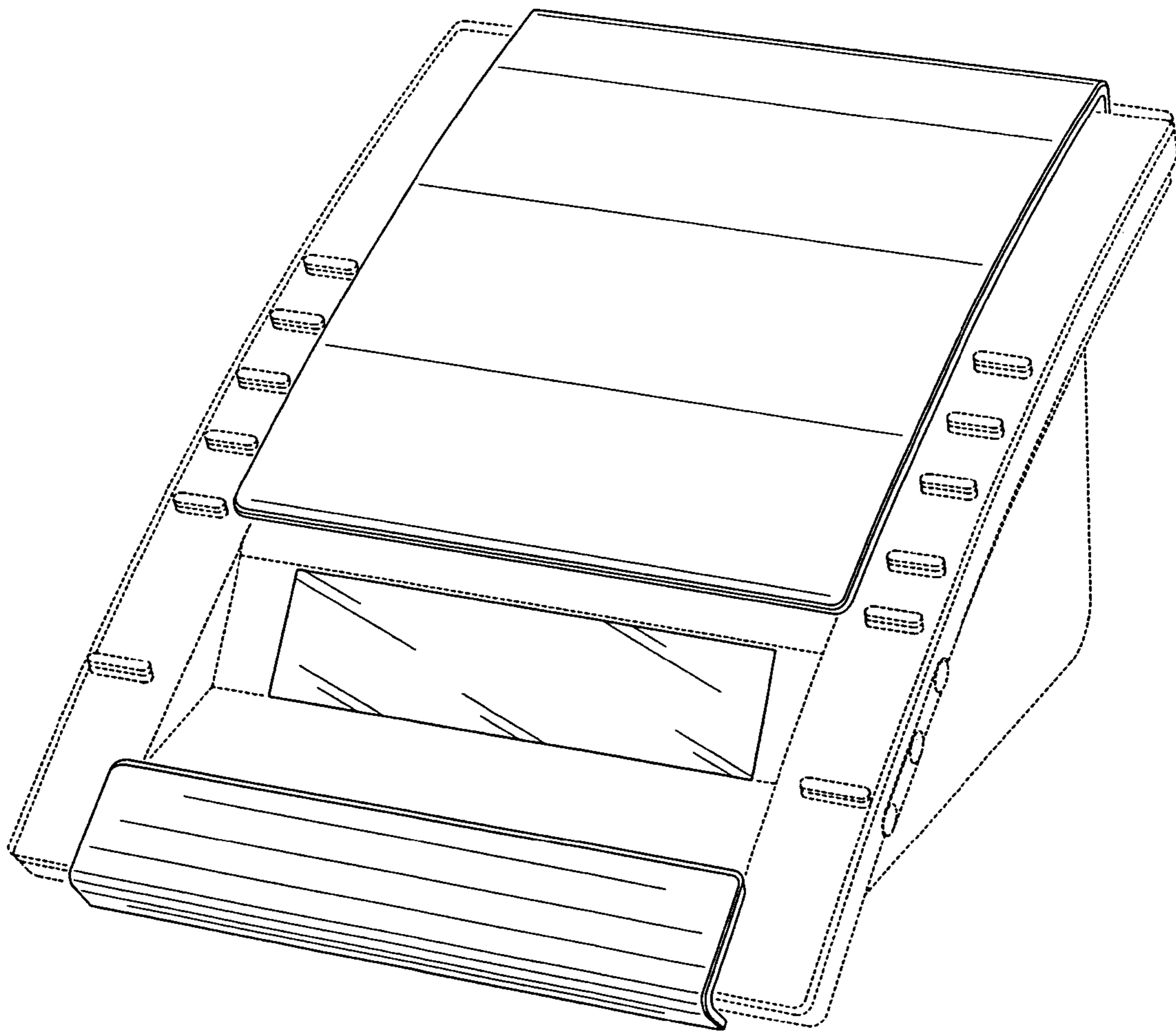


Fig.9

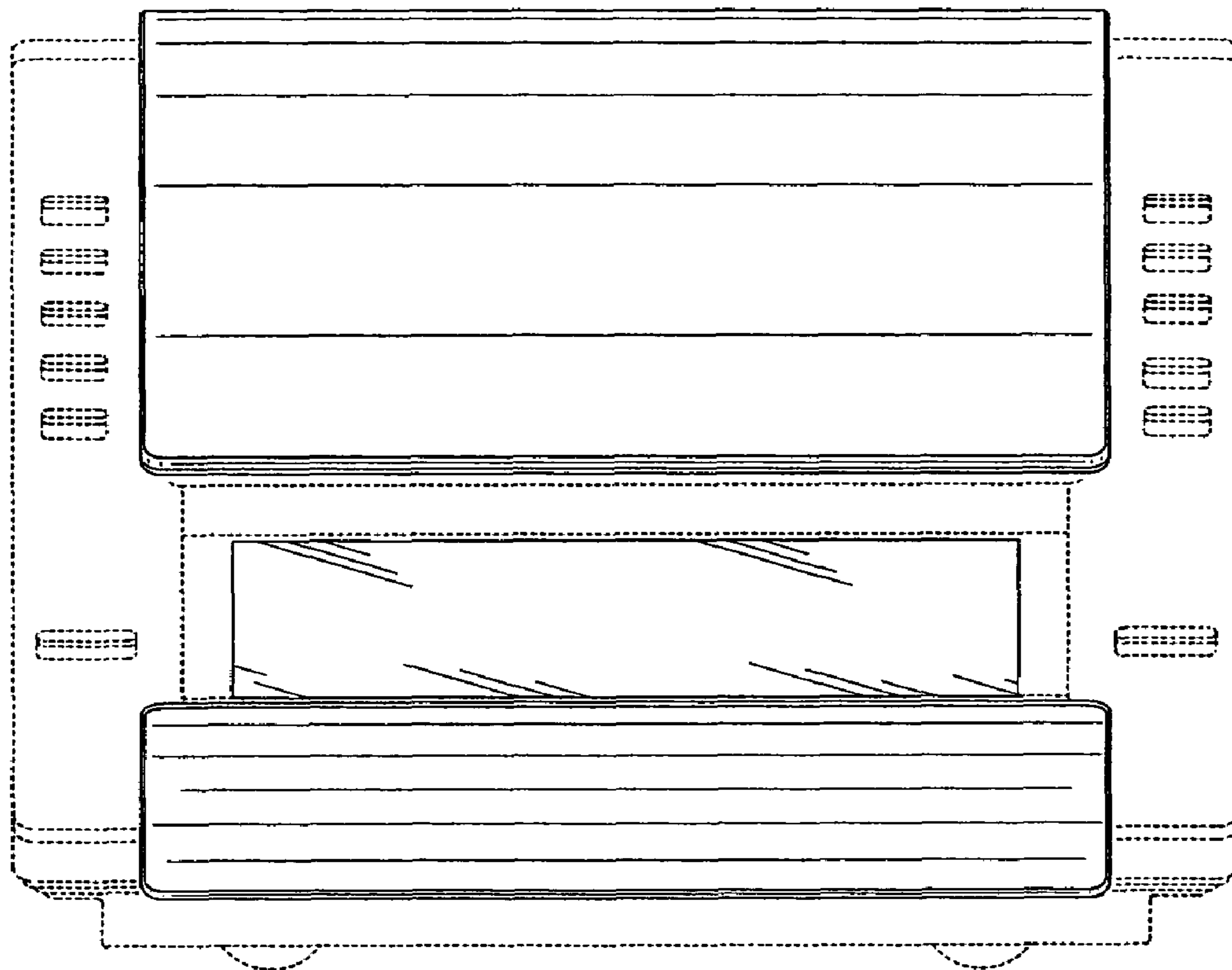


Fig. 10

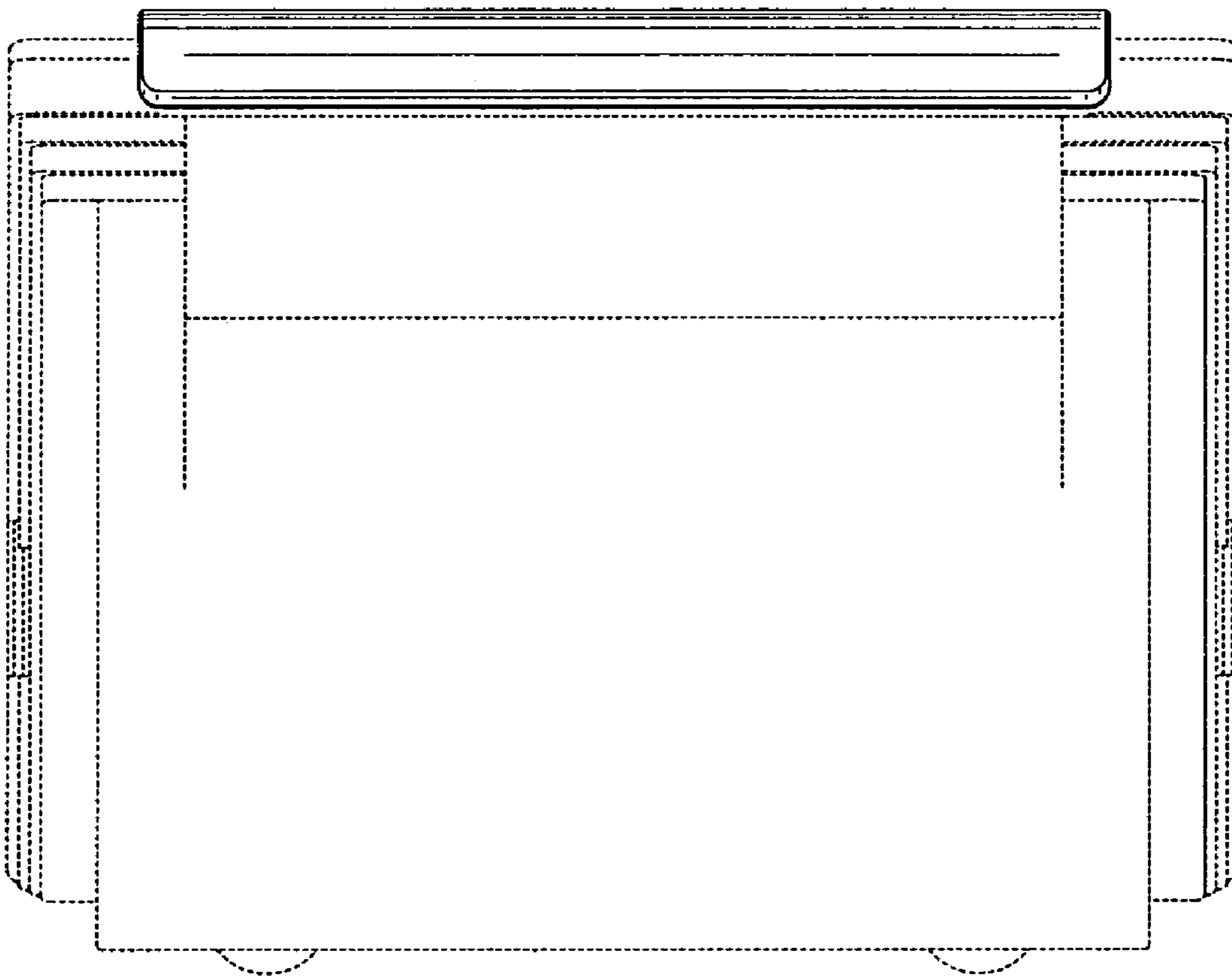


Fig. 11

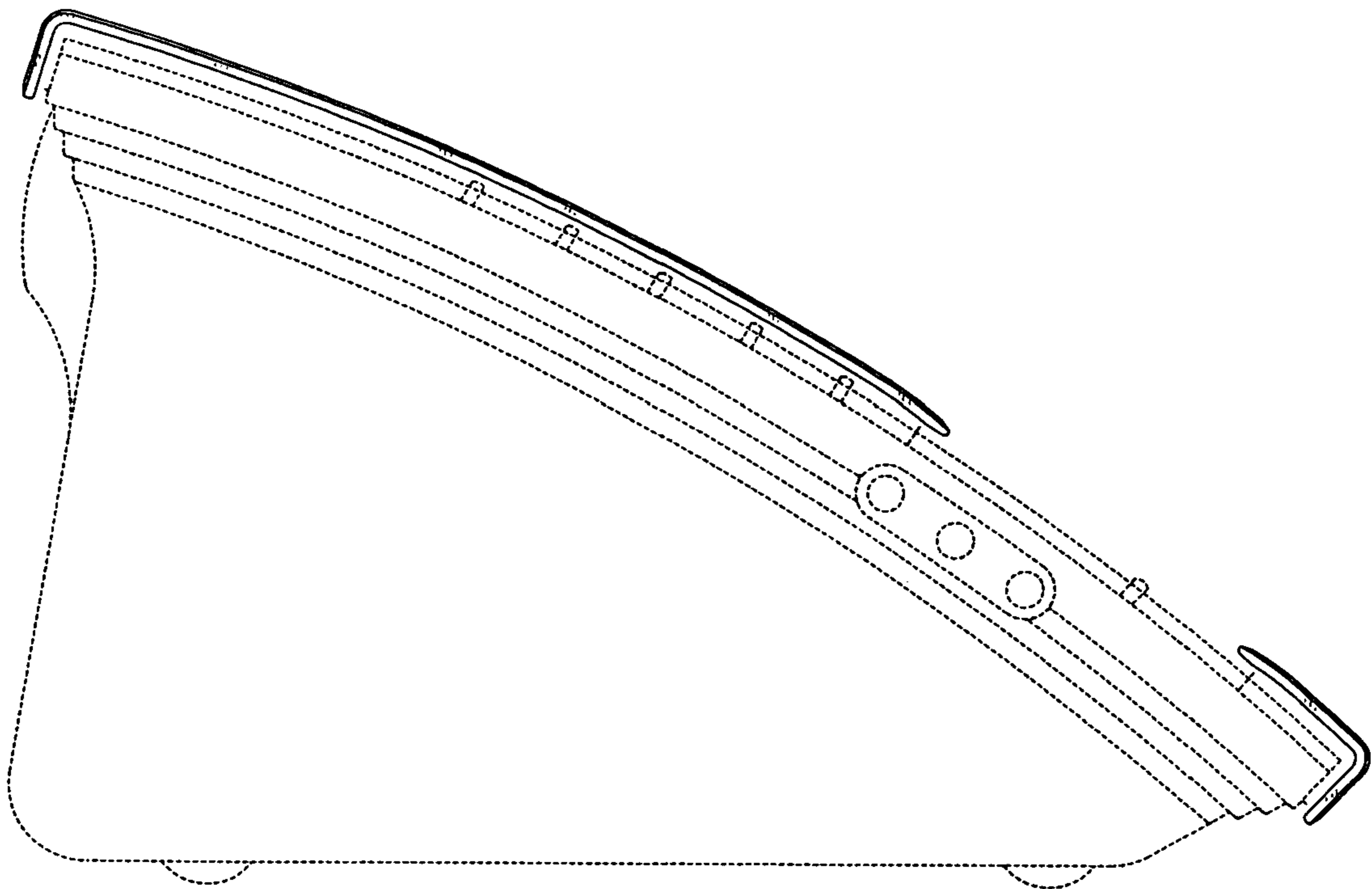


Fig.12

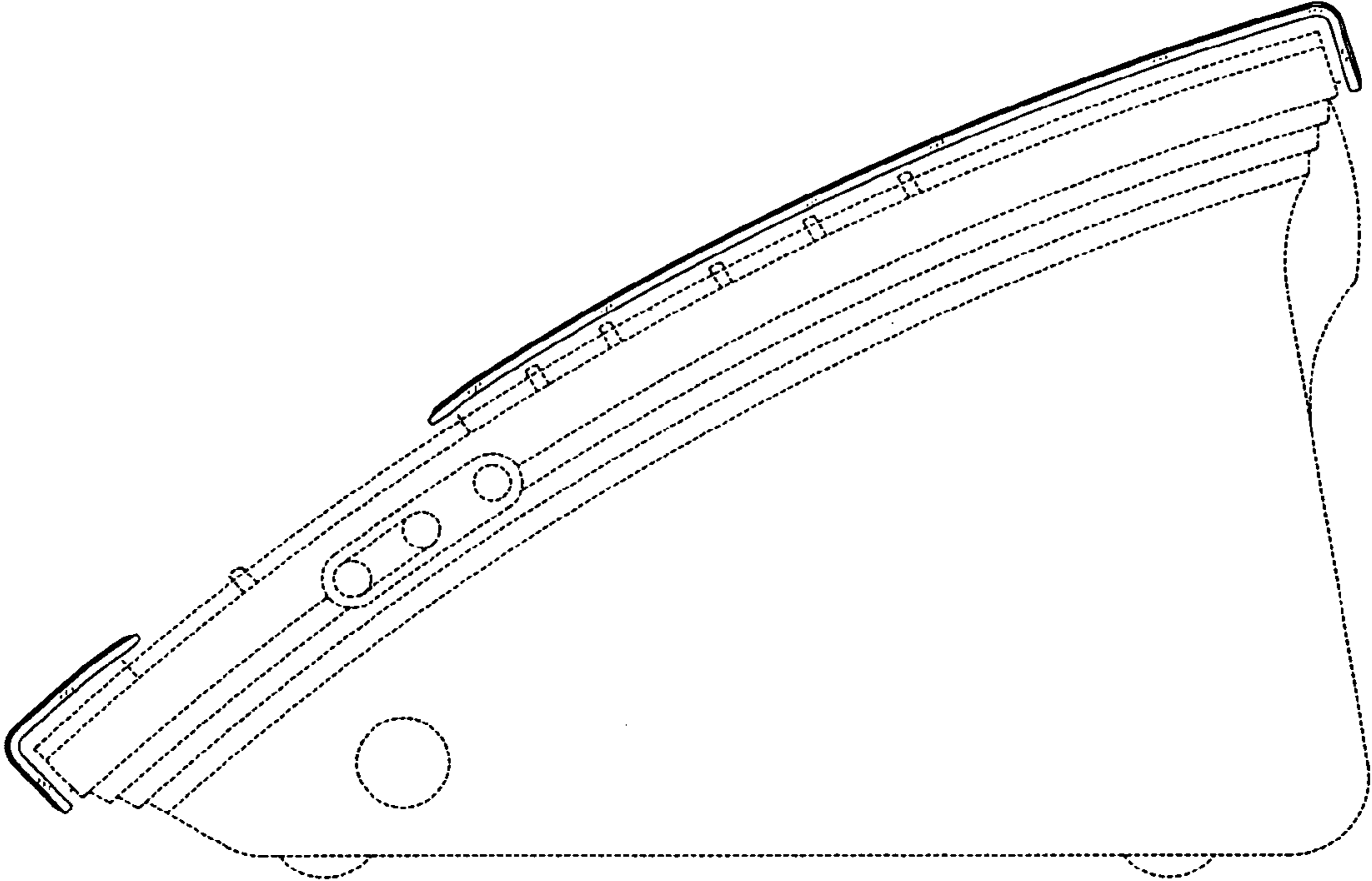


Fig. 13

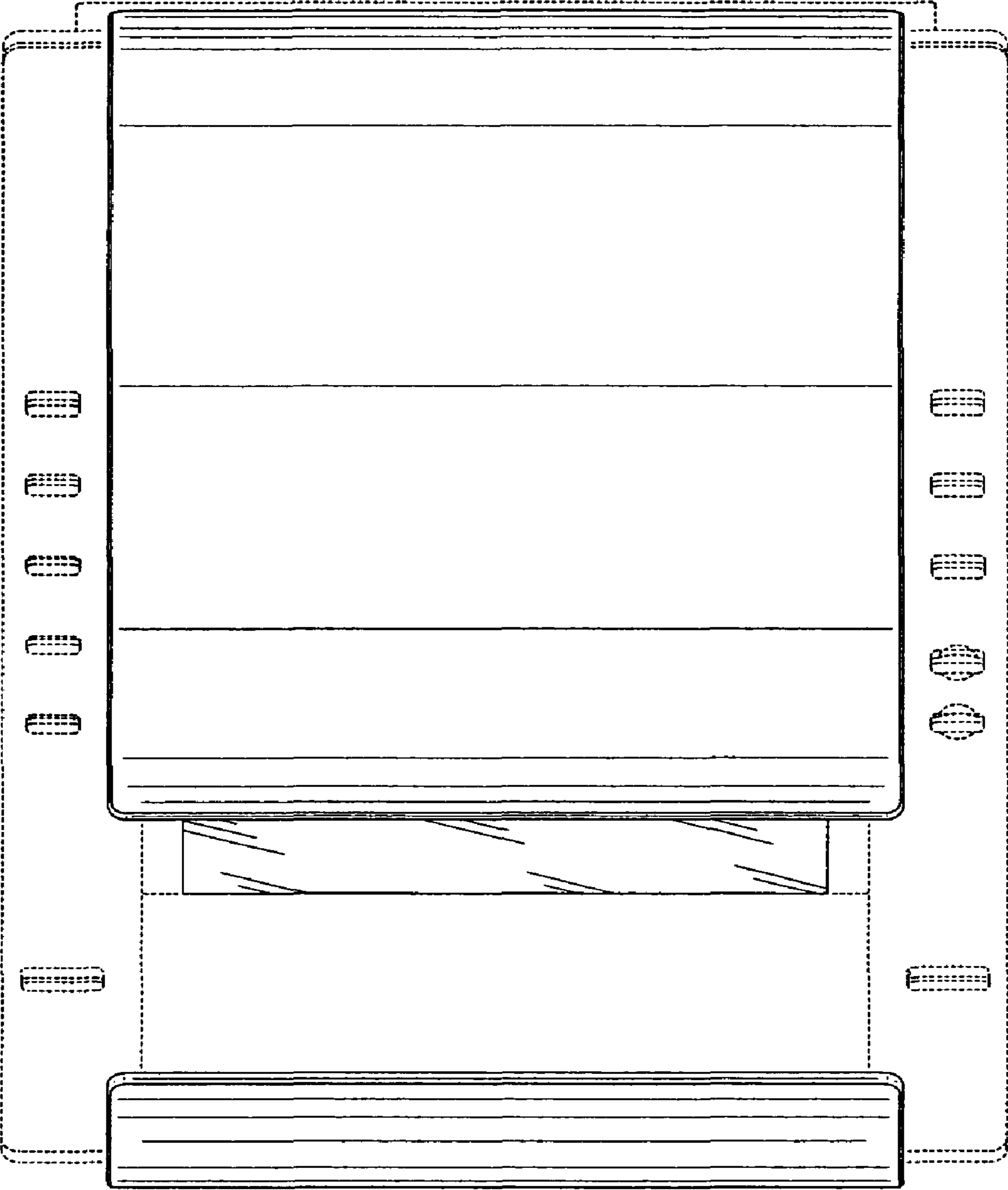


Fig. 14

