



US00D566097S

(12) **United States Design Patent**  
**Bhavnani**

(10) **Patent No.:** **US D566,097 S**

(45) **Date of Patent:** **\*\* Apr. 8, 2008**

(54) **FM SCANNER RADIO FLASHLIGHT**

(75) Inventor: **Dilip Bhavnani**, Beverly Hills, CA  
(US)

(73) Assignee: **Sun Coast Merchandise Corporation**,  
Commerce, CA (US)

(\*\*) Term: **14 Years**

(21) Appl. No.: **29/250,791**

(22) Filed: **Nov. 30, 2006**

(51) **LOC (8) Cl.** ..... **14-01**

(52) **U.S. Cl.** ..... **D14/168; D26/38**

(58) **Field of Classification Search** ..... D14/155,  
D14/167, 154, 168, 188, 496, 156, 240, 160,  
D14/243, 161, 162, 164, 163, 165, 192; D13/168;  
D10/70, 105; D16/135, 208; D26/38, 266;  
D3/266, 265; 455/351, 350, 575.2  
See application file for complete search history.

(56) **References Cited**

**U.S. PATENT DOCUMENTS**

- D275,423 S \* 9/1984 Stansbury et al. .... D26/38
- D340,455 S \* 10/1993 Christian ..... D14/217
- D388,713 S \* 1/1998 Yuen ..... D10/5
- D468,224 S \* 1/2003 Kainuma et al. .... D10/104
- D477,432 S \* 7/2003 Parsons ..... D26/37

- D478,576 S \* 8/2003 Leong ..... D14/240
- D525,536 S \* 7/2006 Chan ..... D10/2
- D541,451 S \* 4/2007 Leung ..... D26/38
- D552,590 S \* 10/2007 Bhavnani ..... D14/167
- D553,276 S \* 10/2007 Campbell et al. .... D26/37
- D560,204 S \* 1/2008 Bhavnani ..... D14/171

\* cited by examiner

*Primary Examiner*—Cathron Brooks

*Assistant Examiner*—Austin Murphy

(74) *Attorney, Agent, or Firm*—The Soni Law Firm

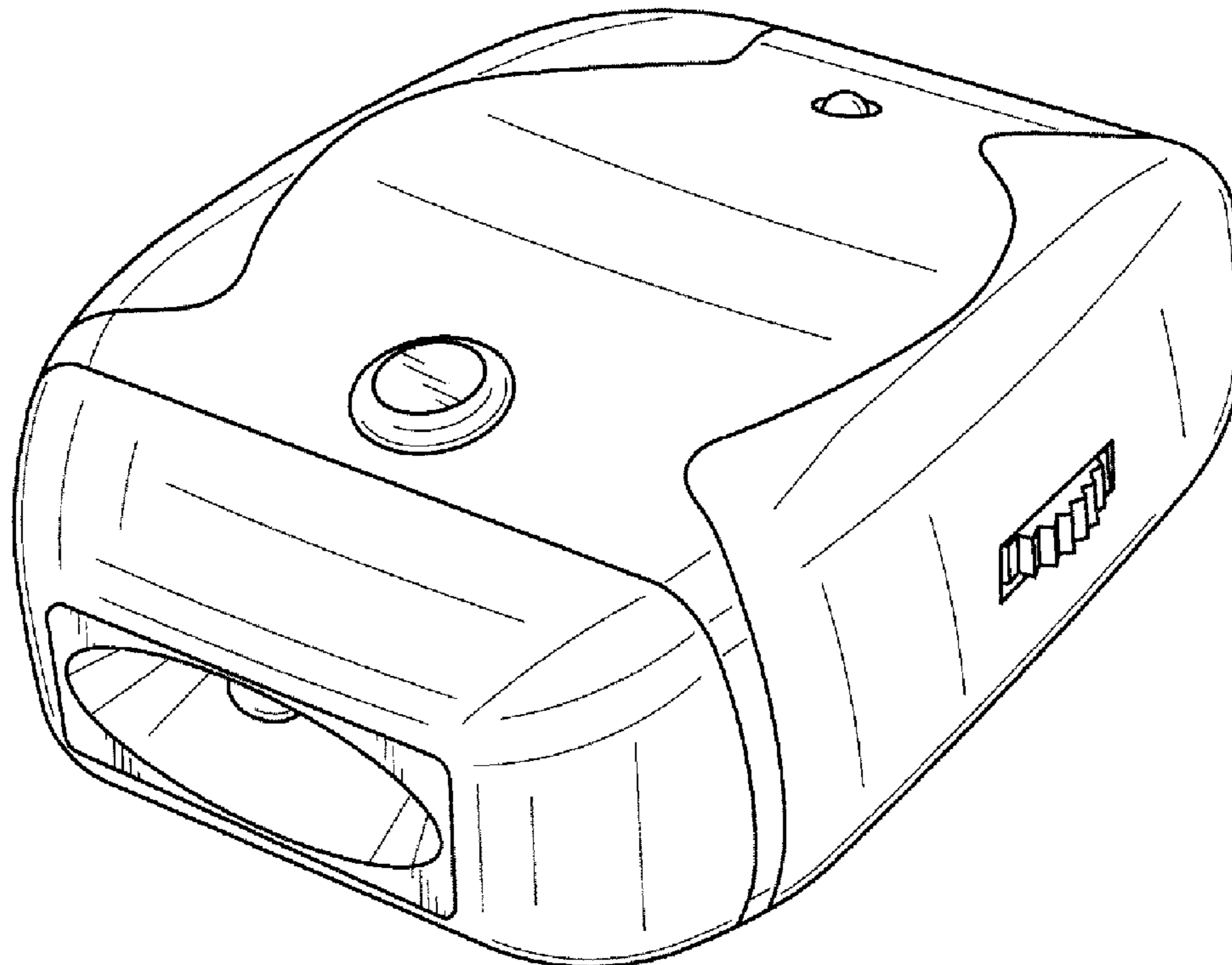
(57) **CLAIM**

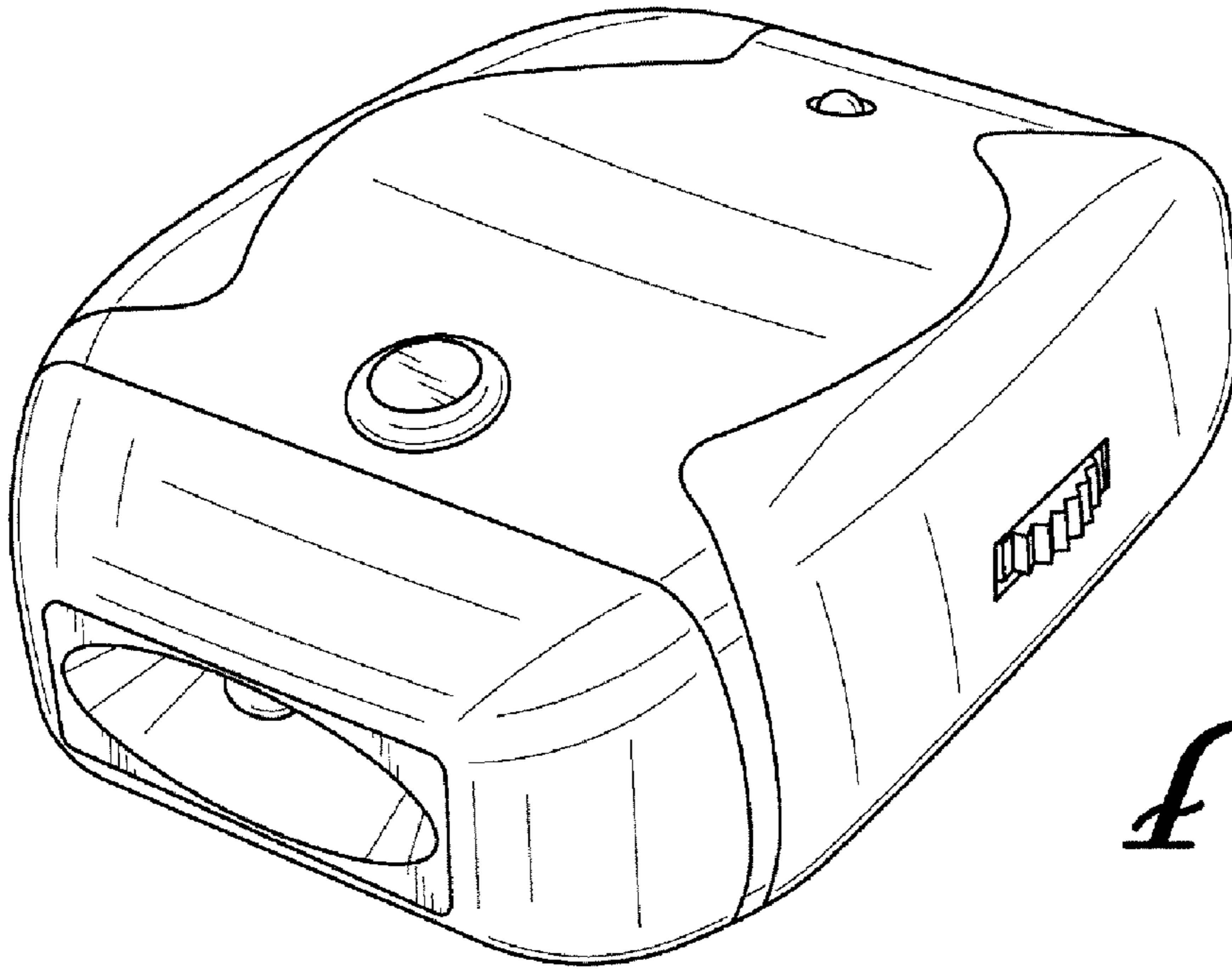
The ornamental design for the FM scanner radio flashlight,  
as shown and described.

**DESCRIPTION**

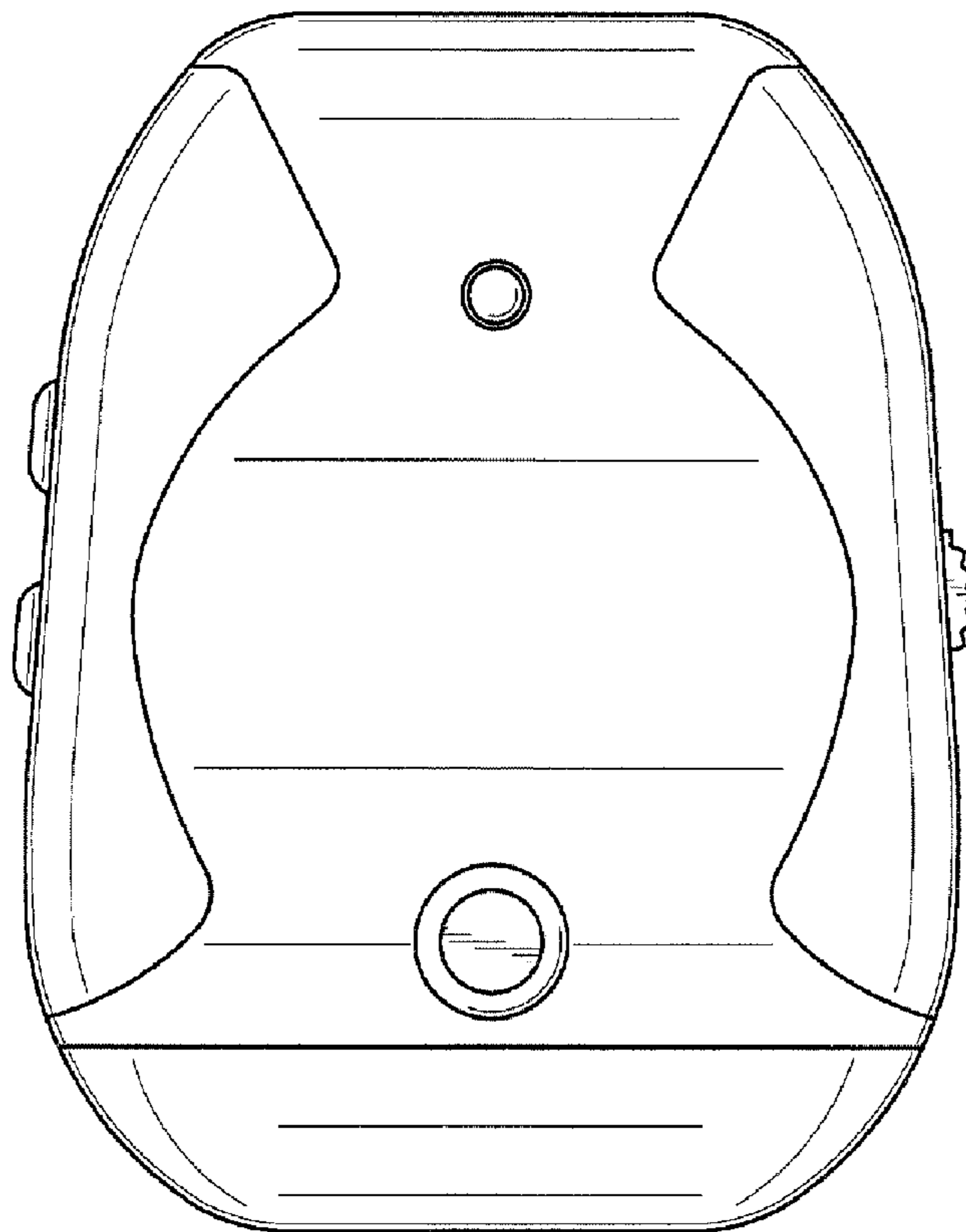
FIG. 1 is a front top side perspective view of my new design;  
FIG. 2 is a front elevational view thereof;  
FIG. 3 is a top plan view thereof;  
FIG. 4 is a left side elevational view thereof;  
FIG. 5 is a right side elevational view thereof;  
FIG. 6 is a bottom plan view thereof; and,  
FIG. 7 is a back elevational view thereof.

**1 Claim, 3 Drawing Sheets**

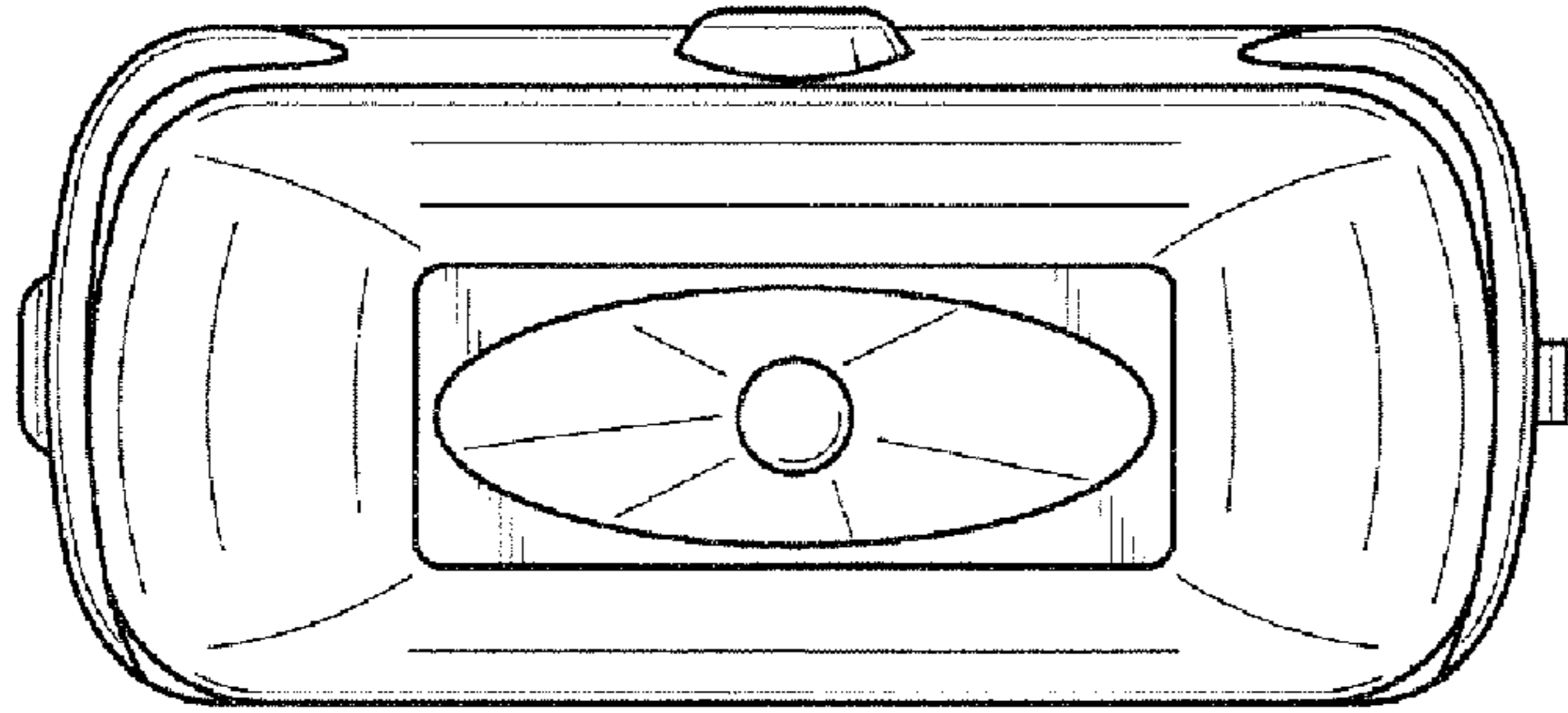




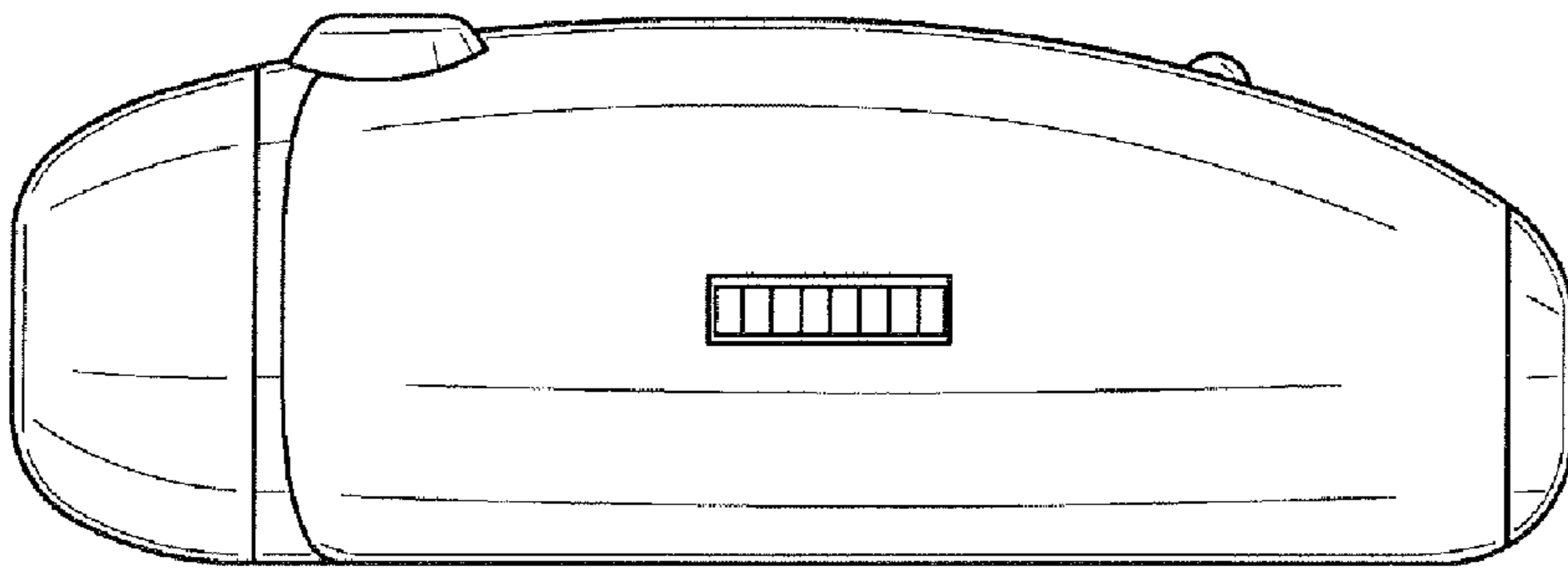
*FIG. 1*



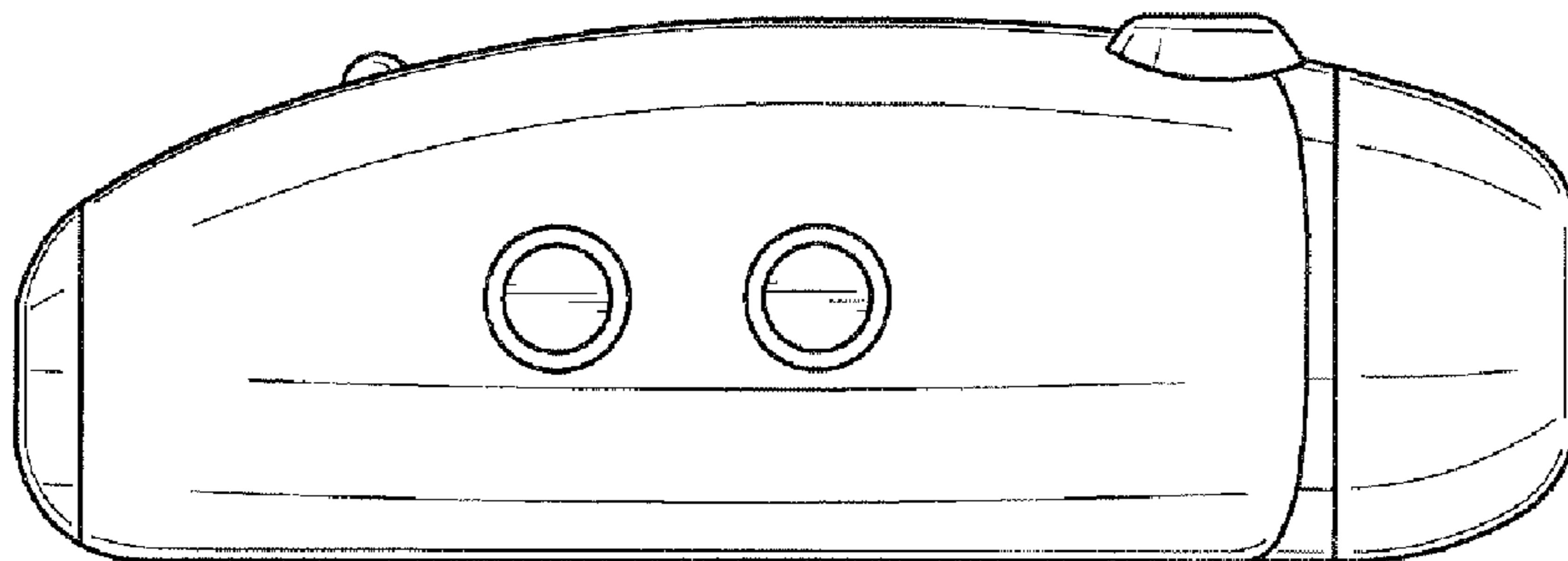
*FIG. 2*



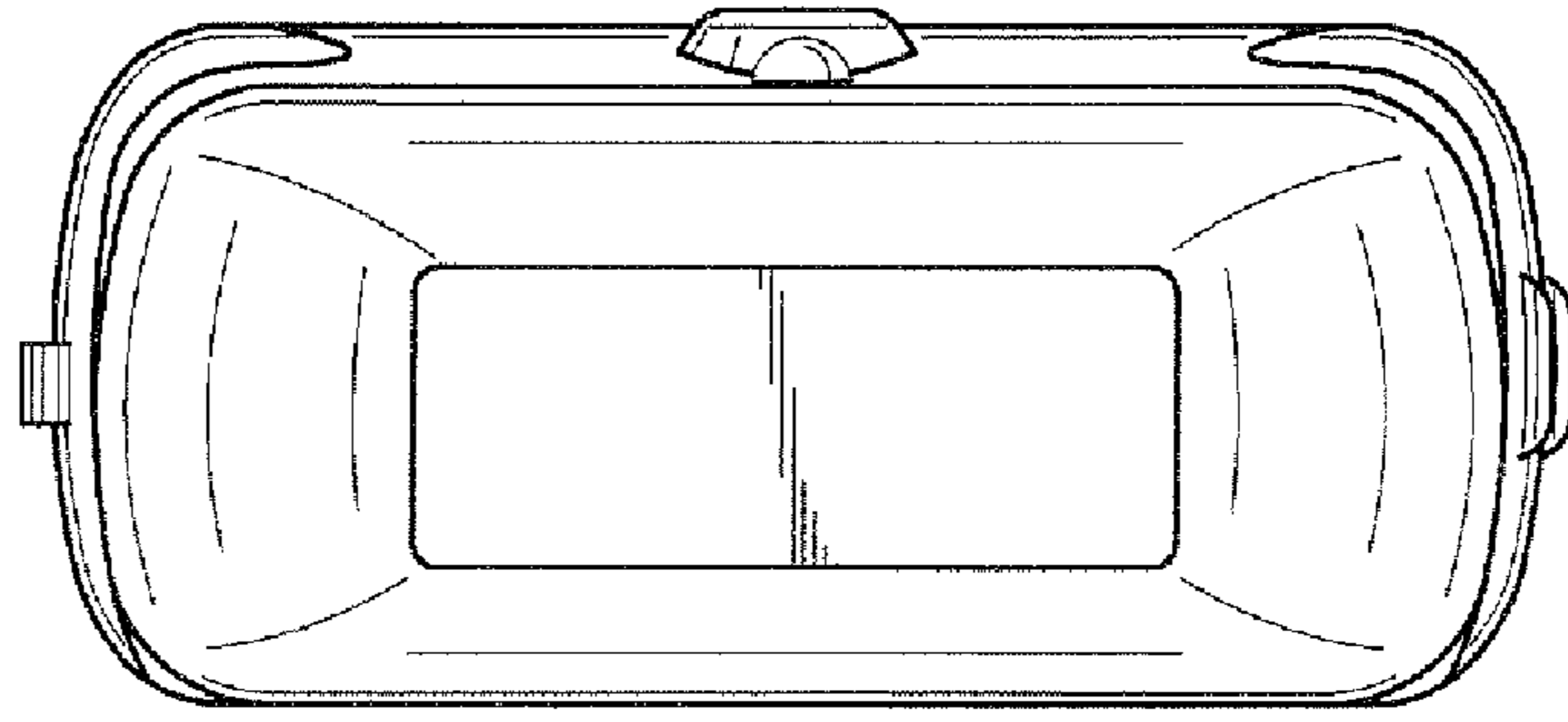
*FIG. 3*



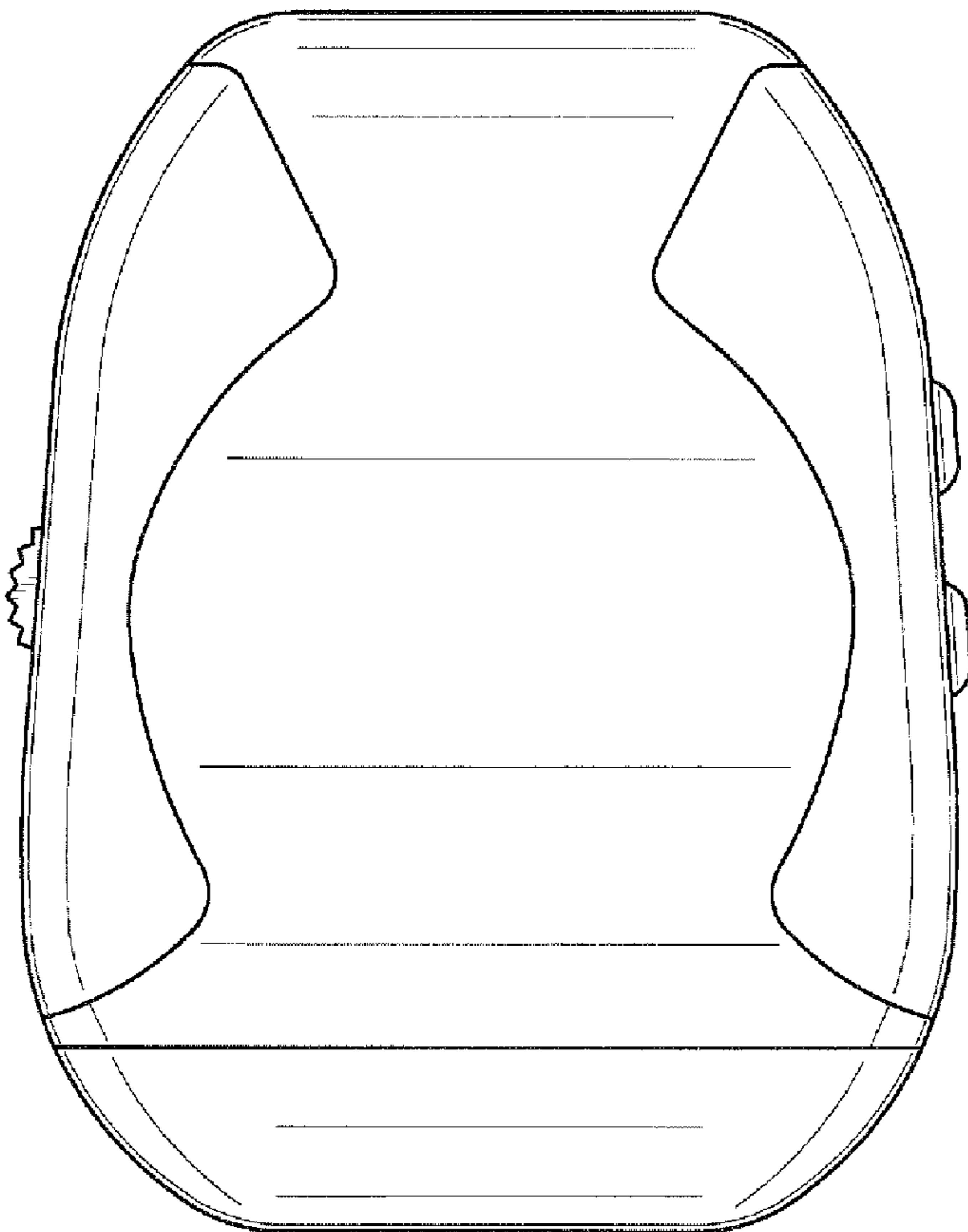
*FIG. 4*



*FIG. 5*



*FIG. 6*



*FIG. 7*