



US00D566074S

(12) **United States Design Patent**
Wada

(10) **Patent No.:** **US D566,074 S**

(45) **Date of Patent:** **** Apr. 8, 2008**

(54) **DISC PLAYER**

(75) Inventor: **Jo Wada**, Tokyo (JP)

(73) Assignee: **Sony Corporation**, Tokyo (JP)

(**) Term: **14 Years**

(21) Appl. No.: **29/256,028**

(22) Filed: **Mar. 16, 2006**

(30) **Foreign Application Priority Data**

Dec. 8, 2005 (JP) D2005-036224

(51) **LOC (8) Cl.** **14-03**

(52) **U.S. Cl.** **D14/129**

(58) **Field of Classification Search** D14/125-134,
D14/239, 371, 136, 374-377; 312/7.2; 348/836,
348/838, 180, 184, 325, 739; 341/12; 248/917-924,
248/465; 345/104, 133, 156, 168, 87, 173;
720/605, 669, 600, 655; 369/99, 197; 455/344-347
See application file for complete search history.

(56) **References Cited**

U.S. PATENT DOCUMENTS

D319,639 S	*	9/1991	Ihara	D14/129
D402,979 S		12/1998	Ogasawara		
D432,124 S	*	10/2000	Pardikes et al.	D14/336
D438,849 S	*	3/2001	Adachi et al.	D14/126
D458,602 S	*	6/2002	Hasegawa et al.	D14/374
D481,718 S	*	11/2003	Chiang et al.	D14/341
D486,812 S		2/2004	Kobayashi		
D494,174 S	*	8/2004	Hsu Li	D14/374
D496,034 S	*	9/2004	Guerrera et al.	D14/336
D503,160 S	*	3/2005	Peng	D14/129
D503,394 S		3/2005	Naito		
D504,686 S	*	5/2005	Hsu Li	D14/371
D509,834 S		9/2005	Kataoka		
D515,522 S	*	2/2006	Vitito	D14/126

D518,007 S	*	3/2006	Peng	D14/129
D518,010 S	*	3/2006	Peng	D14/129
D525,973 S	*	8/2006	Julian et al.	D14/371
D531,150 S	*	10/2006	Yabe et al.	D14/129
D540,283 S	*	4/2007	Tsai	D14/126
D541,769 S	*	5/2007	Hoehn et al.	D14/126
D545,789 S	*	7/2007	Dayan	D14/129
D547,282 S	*	7/2007	Hsiung	D14/129
D547,283 S	*	7/2007	Hsiung	D14/129
D547,284 S	*	7/2007	Hsiung	D14/129
D548,207 S	*	8/2007	Hsiung	D14/129
D550,174 S	*	9/2007	Deguchi	D14/126
D551,196 S	*	9/2007	Hsiung	D14/129

FOREIGN PATENT DOCUMENTS

JP	D1065290 S	3/2000
JP	D1076913 S	7/2000

* cited by examiner

Primary Examiner—Raphael Barkai
(74) *Attorney, Agent, or Firm*—Rader, Fishman & Grauer, PLLC

(57) **CLAIM**

The ornamental design for a disc player, as shown.

DESCRIPTION

FIG. 1 is a perspective view of a disc player showing my new design;
FIG. 2 is a front elevational view thereof;
FIG. 3 is a rear elevational view thereof;
FIG. 4 is a left side elevational view thereof;
FIG. 5 is a right side elevational view thereof;
FIG. 6 is a top plan view thereof; and,
FIG. 7 is a bottom plan view thereof.

1 Claim, 7 Drawing Sheets

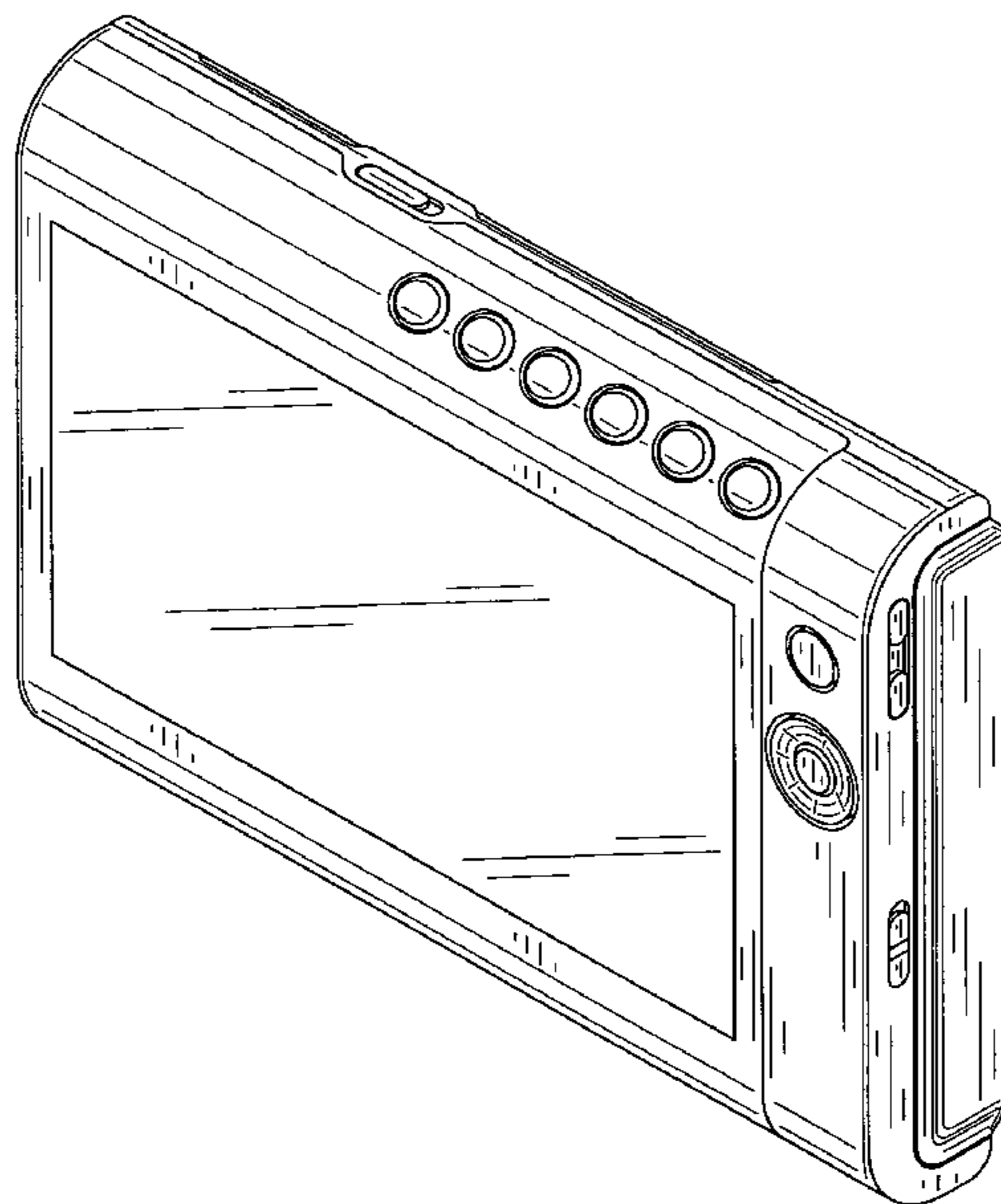


Fig. 1

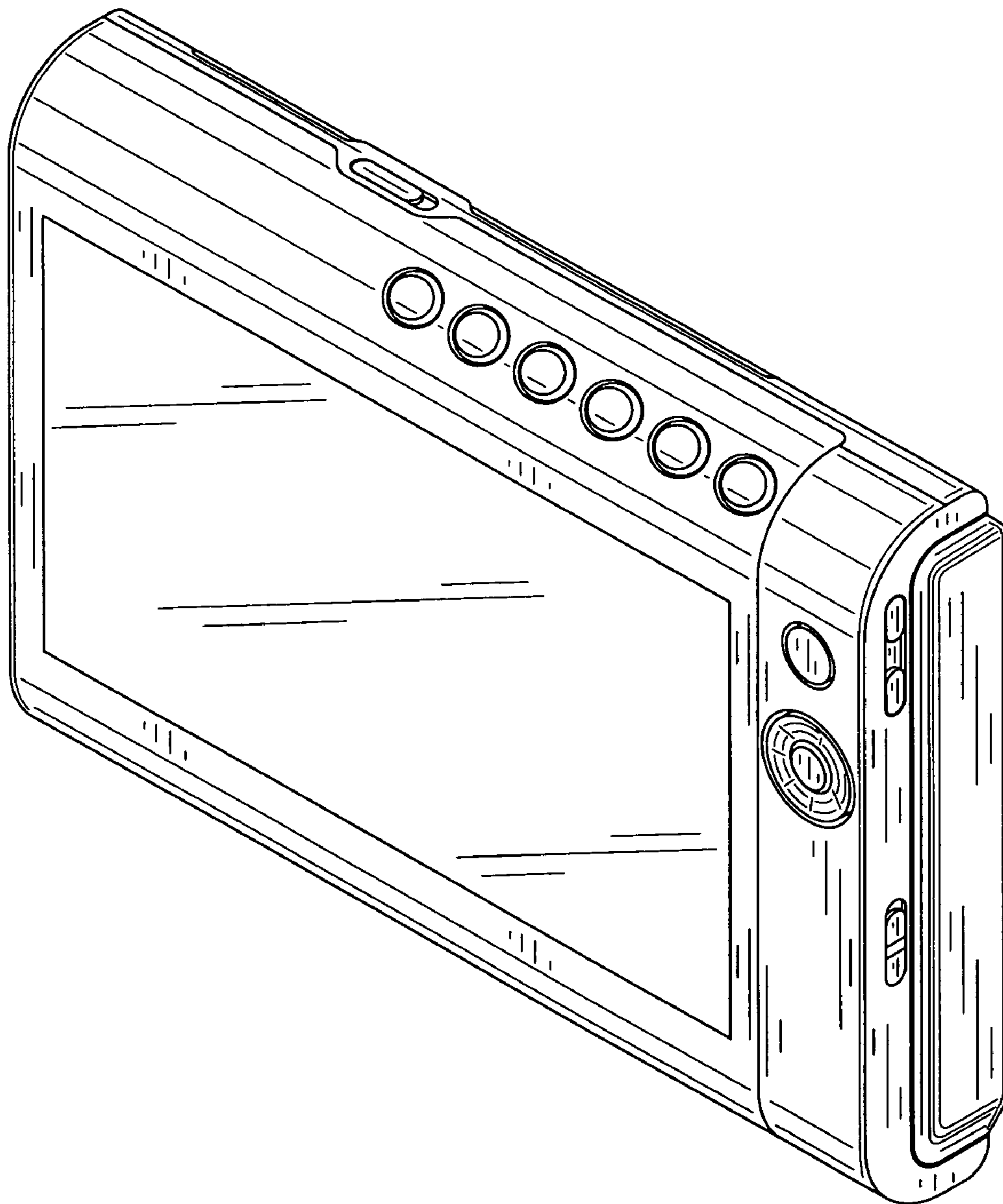


Fig.2

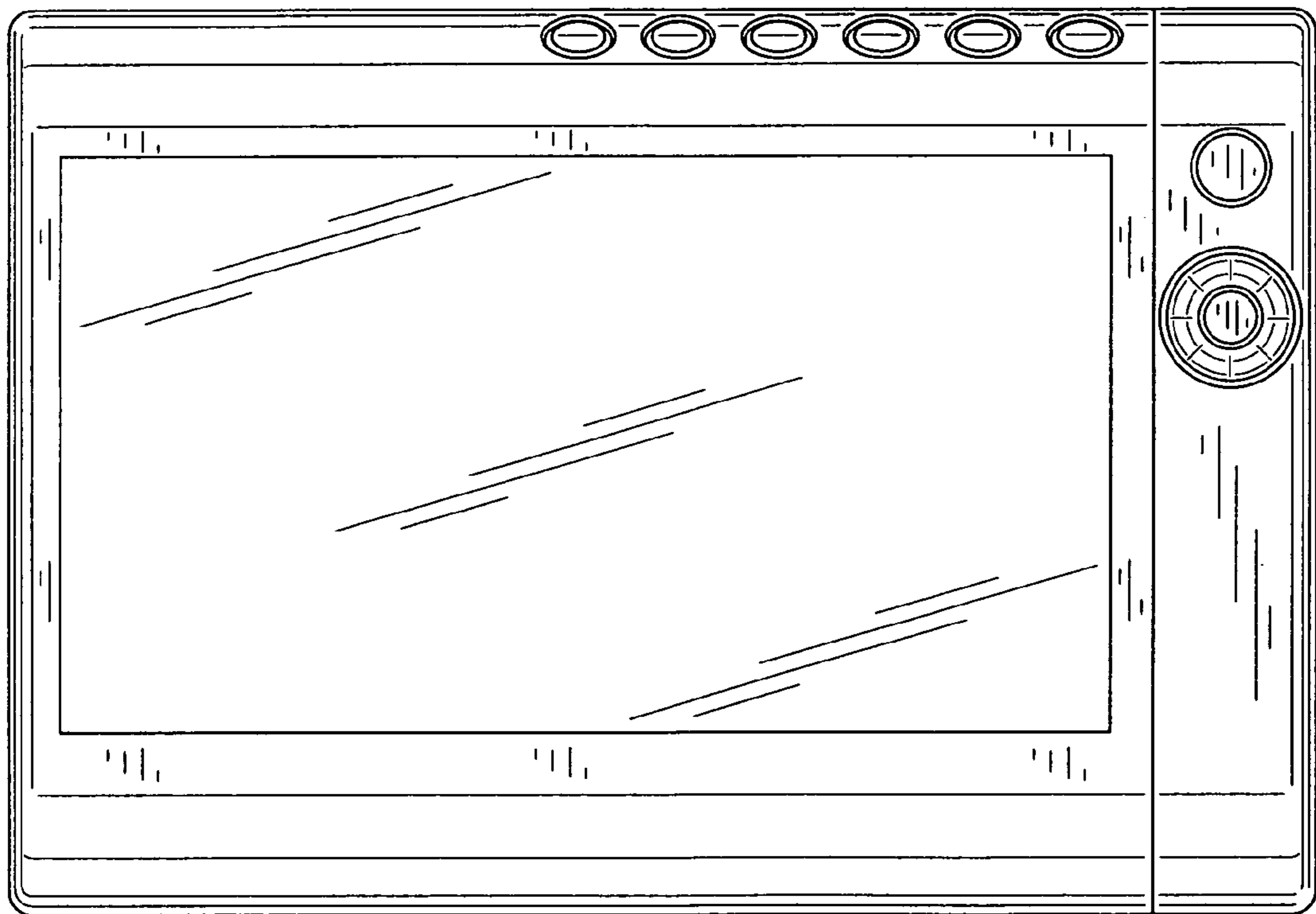


Fig.3

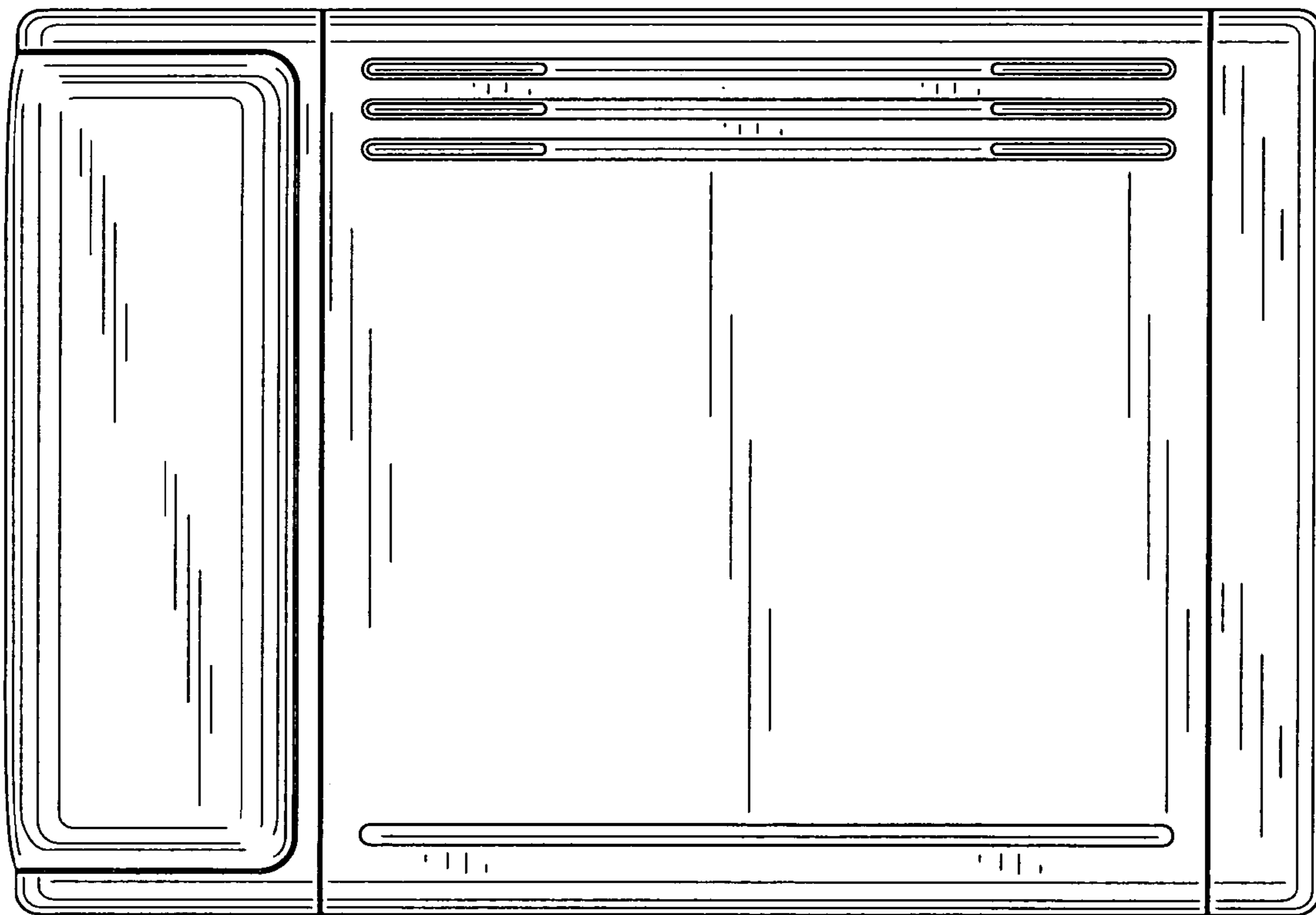


Fig.4

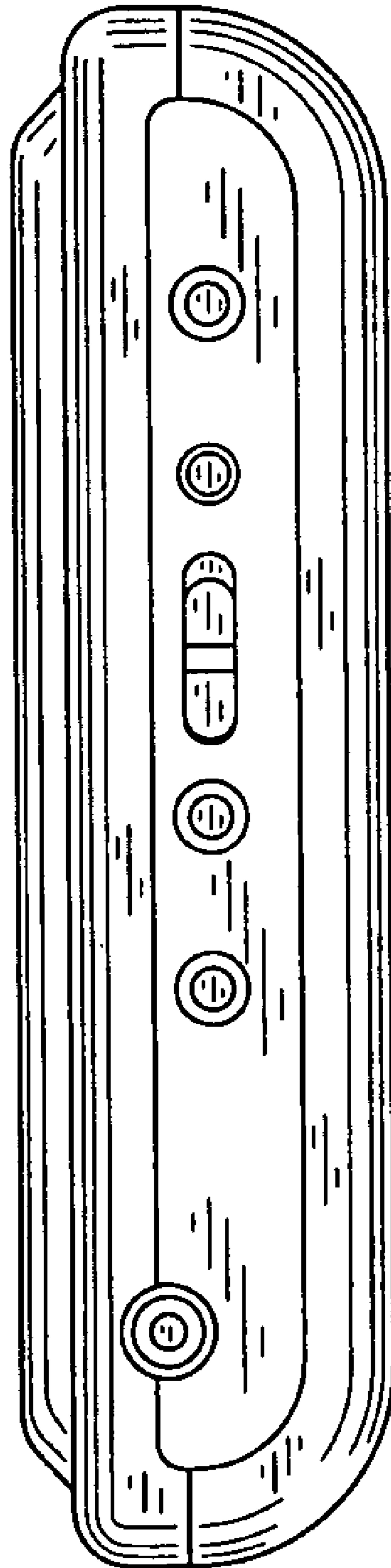


Fig.5

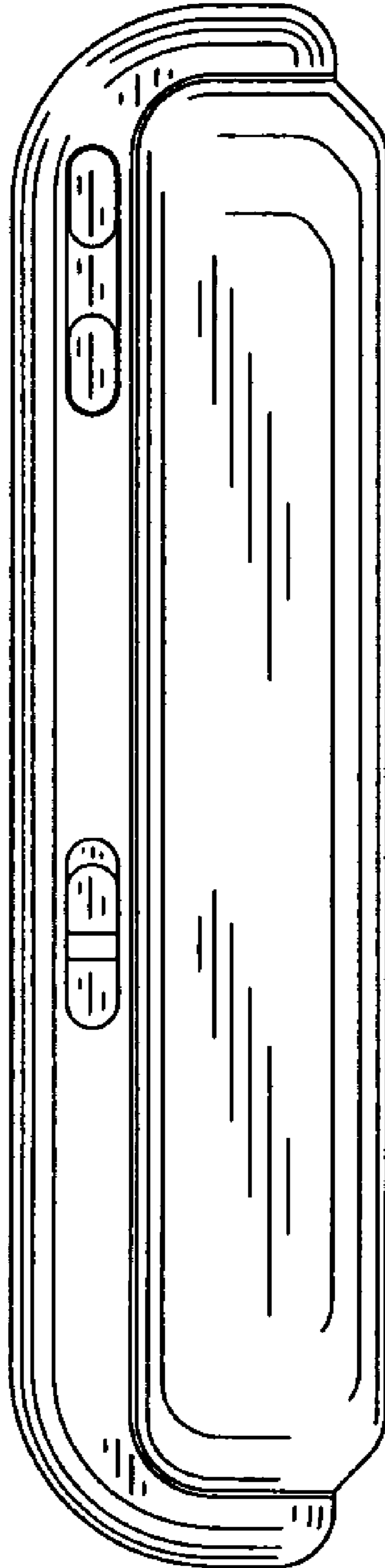


Fig.6

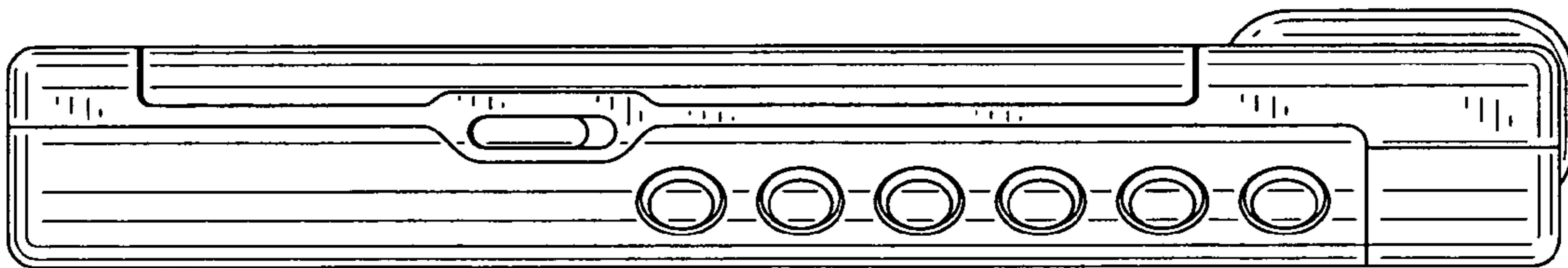


Fig.7

