

US00D566073S

(12) **United States Design Patent**
Arai et al.

(10) **Patent No.:** **US D566,073 S**
(45) **Date of Patent:** **** Apr. 8, 2008**

(54) **REAR PROJECTION TELEVISION RECEIVER**

D543,166 S * 5/2007 Kuramashi et al. D14/128
D545,786 S * 7/2007 Arai et al. D14/128
D549,195 S * 8/2007 Takatsuki et al. D14/128

(75) Inventors: **Hiroyuki Arai**, Kanagawa (JP); **Yutaka Nakanishi**, Kanagawa (JP)

* cited by examiner

(73) Assignee: **Victor Company of Japan, Limited**,
Yokohama-shi, Kanagawa (JP)

Primary Examiner—Raphael Barkai
(74) *Attorney, Agent, or Firm*—Osha Liang LLP

(**) Term: **14 Years**

(57) **CLAIM**

(21) Appl. No.: **29/273,227**

The ornamental design for a rear projection television receiver, as shown and described.

(22) Filed: **Feb. 28, 2007**

DESCRIPTION

(30) **Foreign Application Priority Data**

Aug. 29, 2006 (JP) 2006-022810

FIG. 1 is a perspective view of the front, left and top of a rear projection television receiver showing our new design.

(51) **LOC (8) Cl.** **14-03**

FIG. 2 is a front view of the design according to the invention.

(52) **U.S. Cl.** **D14/128**

FIG. 3 is a left side view of the design according to the invention.

(58) **Field of Classification Search** D14/125–134,
D14/239, 371, 136, 374–377; 312/7.2; 348/836,
348/838, 180, 184, 325, 739; 341/12; 248/917–924,
248/465; 345/104, 133, 156, 168, 87, 173;
720/605, 669, 600, 655; 369/99, 197; 455/344–347
See application file for complete search history.

FIG. 4 is a right side view of the design according to the invention.

FIG. 5 is a top plan view of the design according to the invention.

(56) **References Cited**

U.S. PATENT DOCUMENTS

D477,159 S * 7/2003 Niitsu D6/479
D477,292 S * 7/2003 Inoue et al. D14/129
D485,539 S * 1/2004 Goto et al. D14/128
D486,804 S * 2/2004 Takami et al. D14/126
D489,042 S * 4/2004 Joe et al. D14/126
D506,328 S * 6/2005 Inoue D6/477
D511,753 S * 11/2005 Joe et al. D14/128

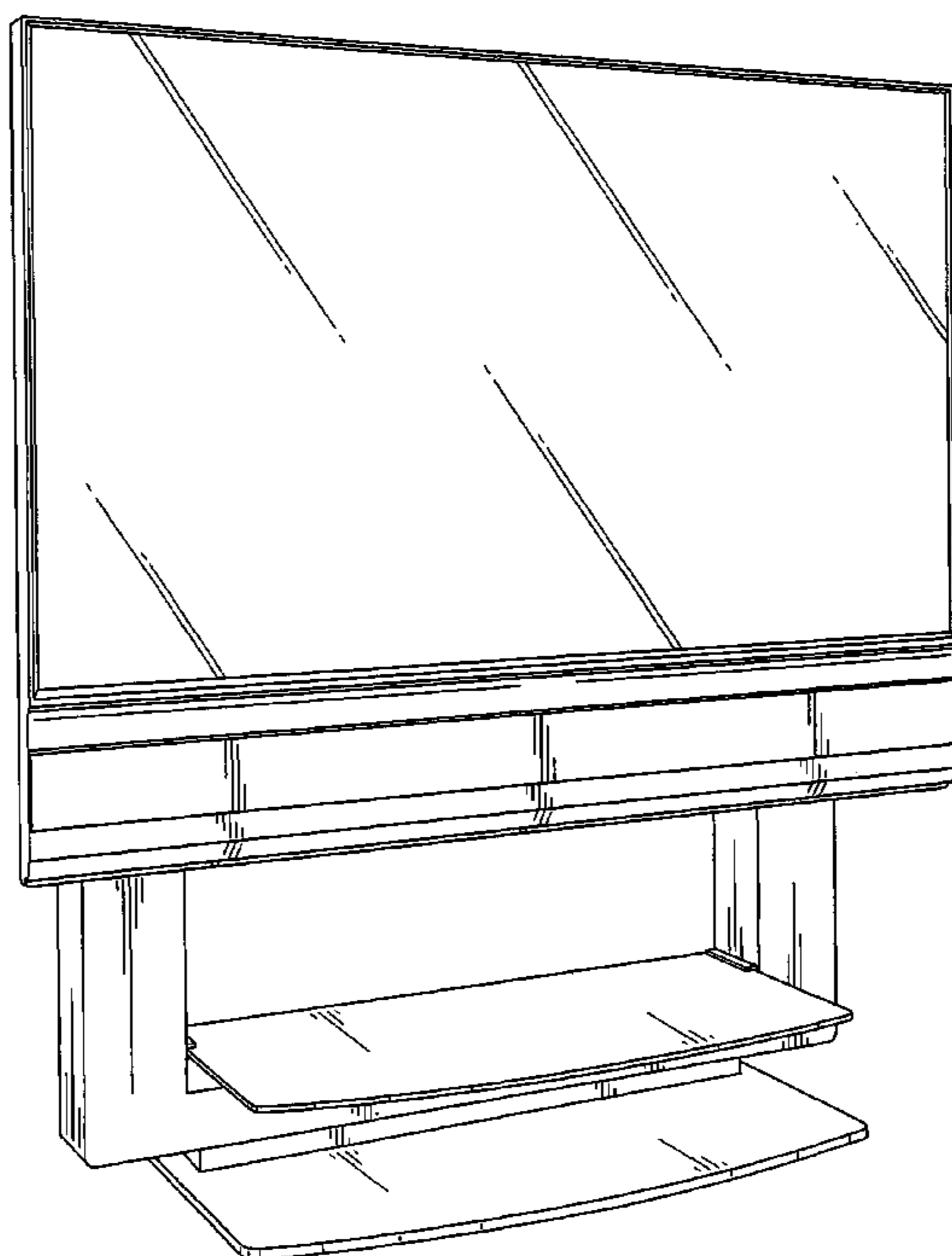
FIG. 6 is a bottom view of the design according to the invention.

FIG. 7 is a rear view of the design according to the invention.

FIG. 8 is a partially enlarged perspective view at A shown in FIG. 2 thereof; and,

FIG. 9 is a partially enlarged perspective view at B shown in FIG. 2 thereof.

1 Claim, 6 Drawing Sheets



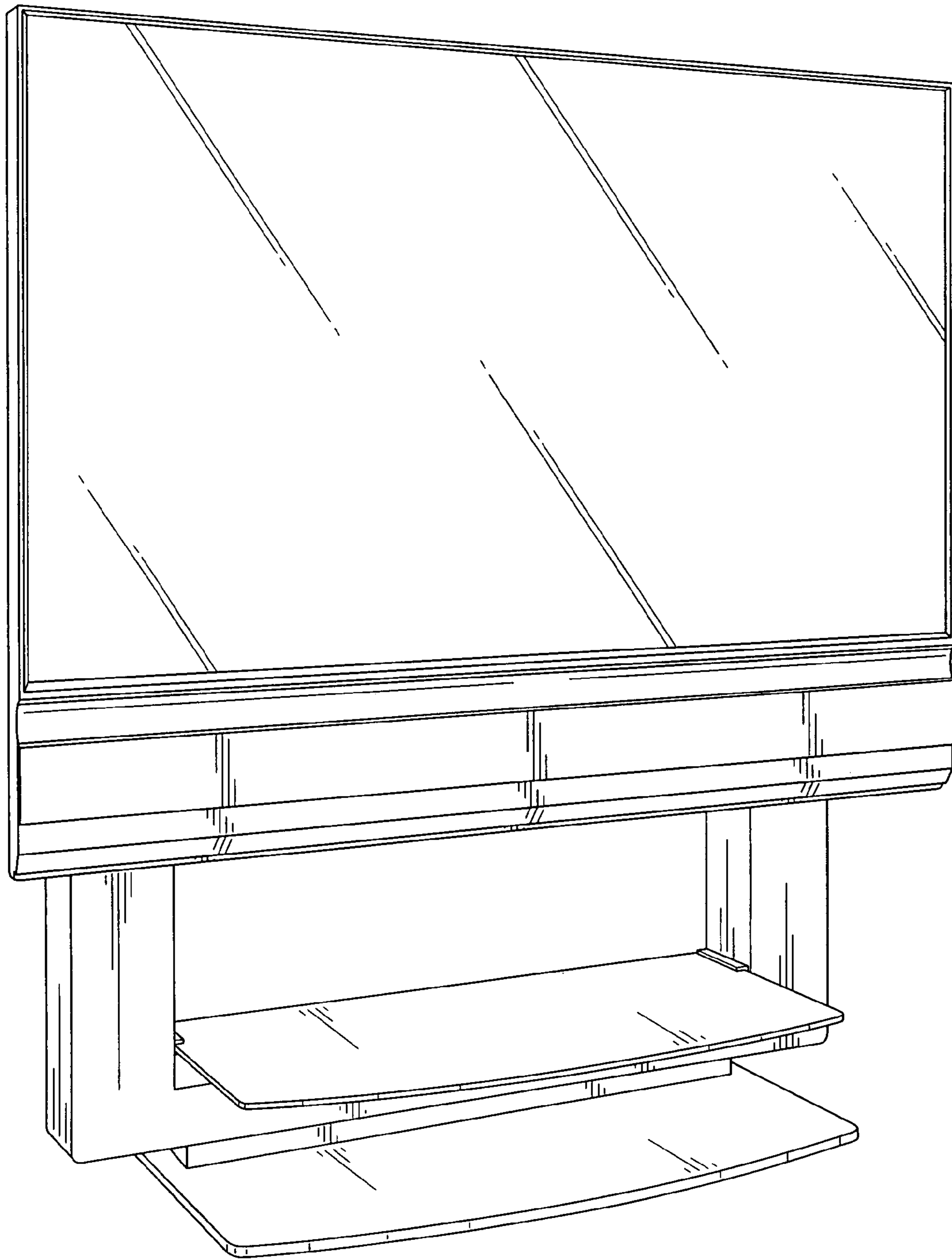


FIG. 1

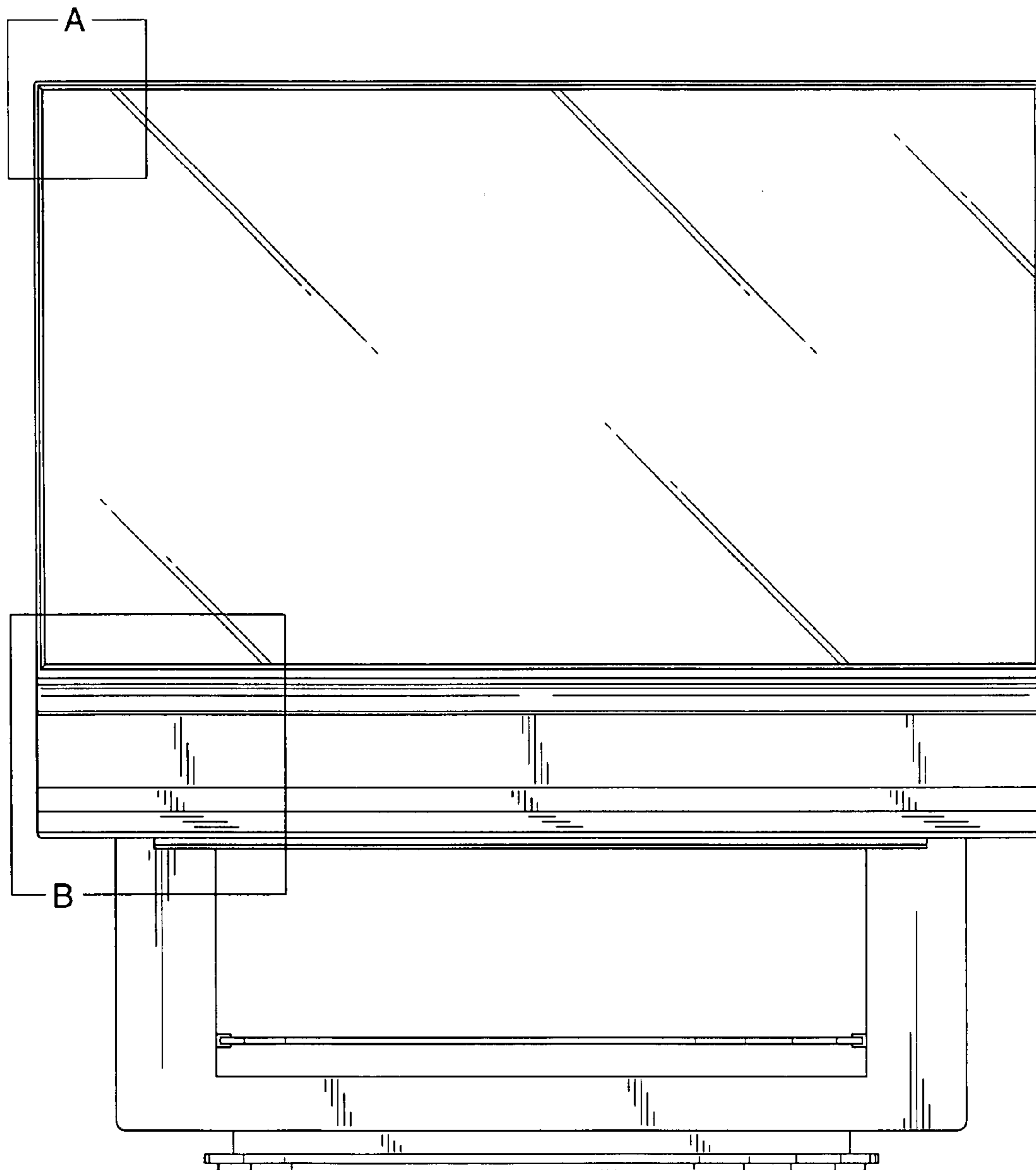


FIG. 2

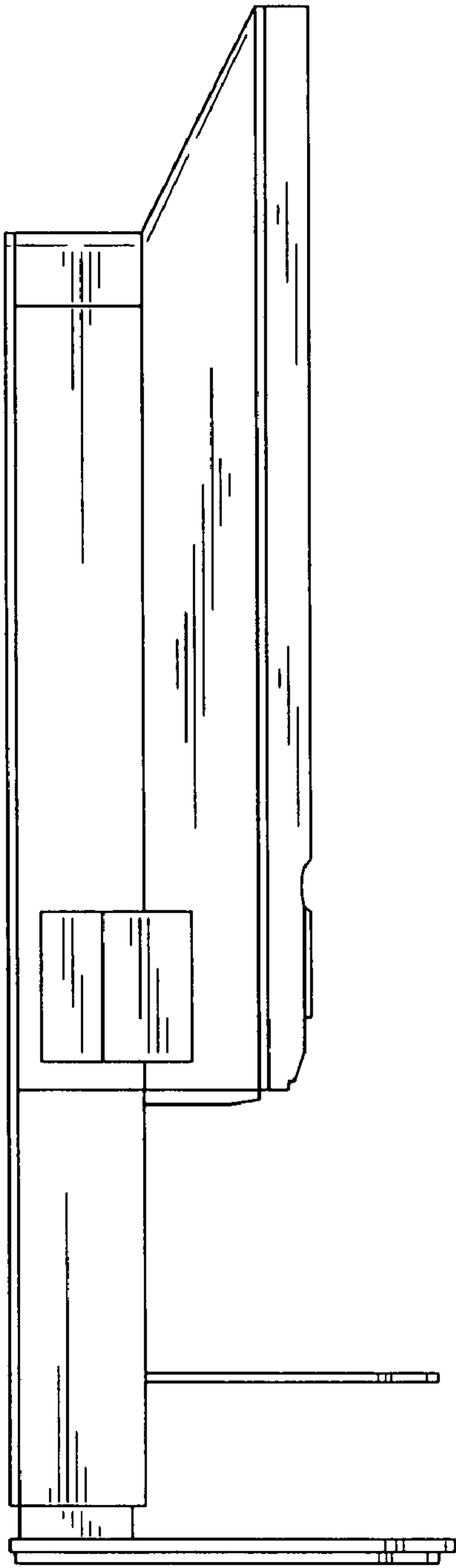


FIG. 3

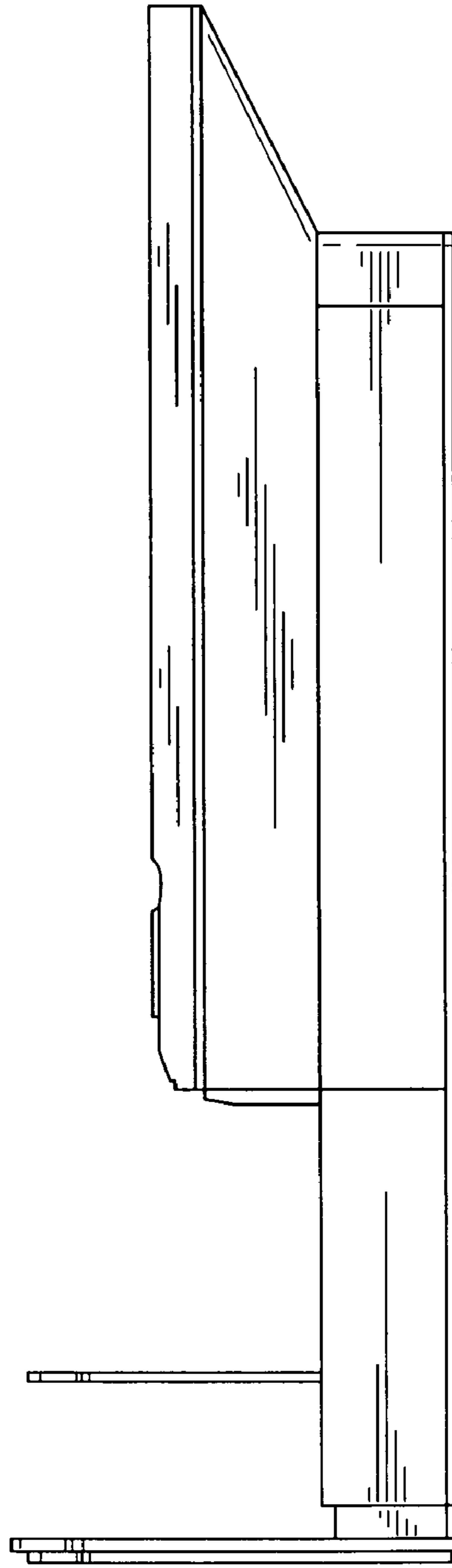


FIG. 4

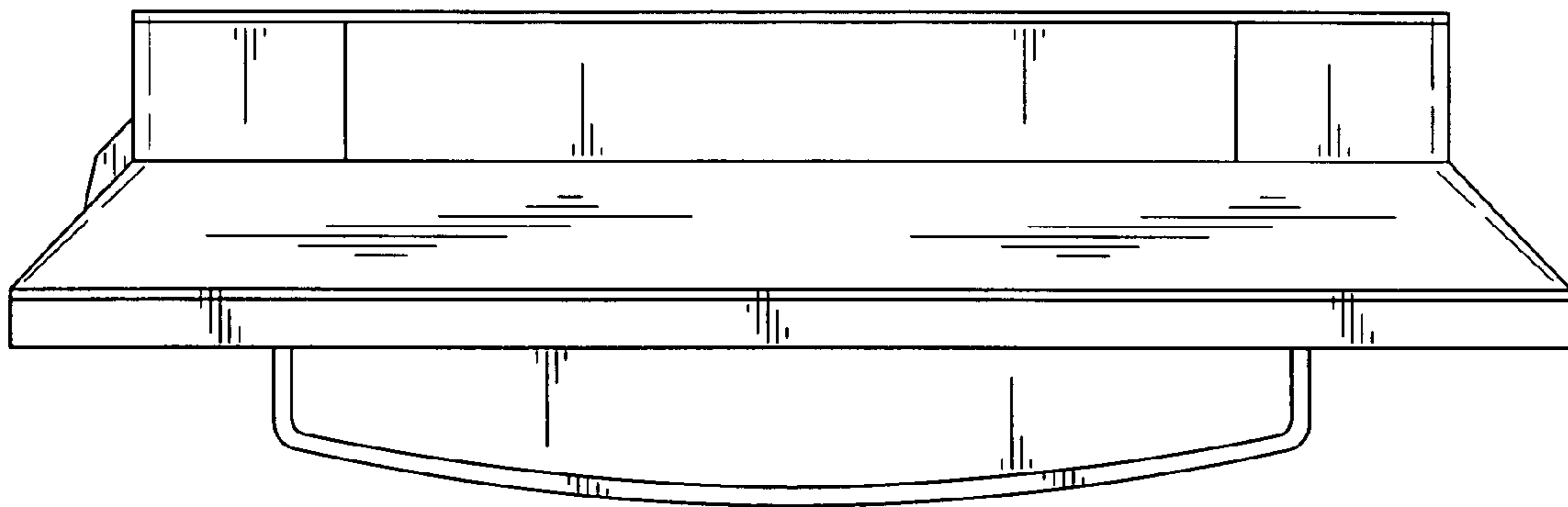


FIG. 5

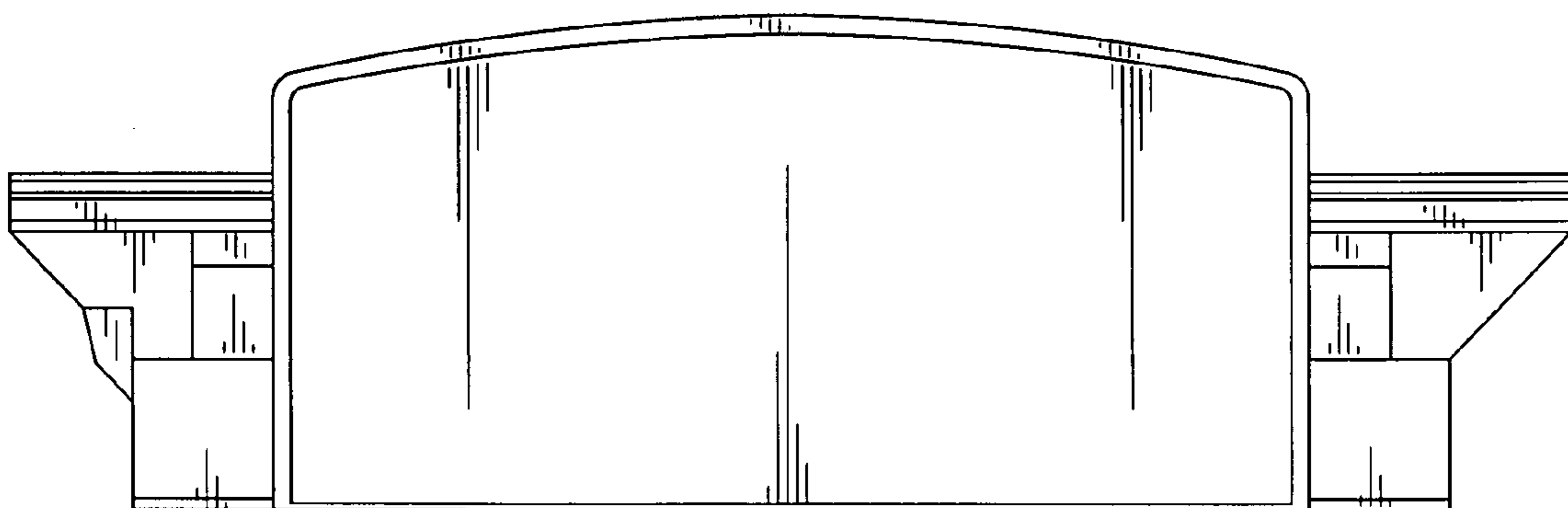


FIG. 6

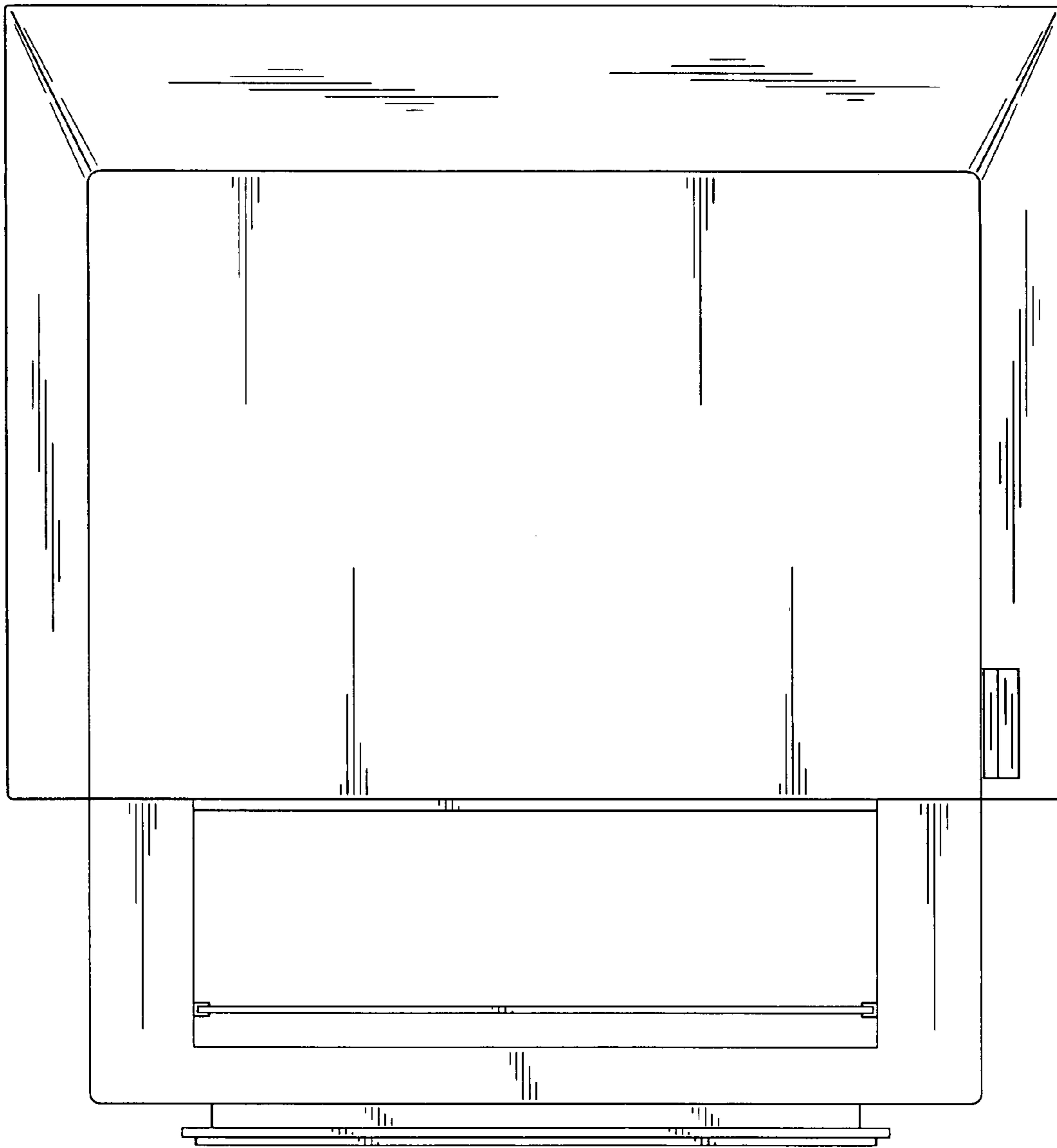


FIG. 7

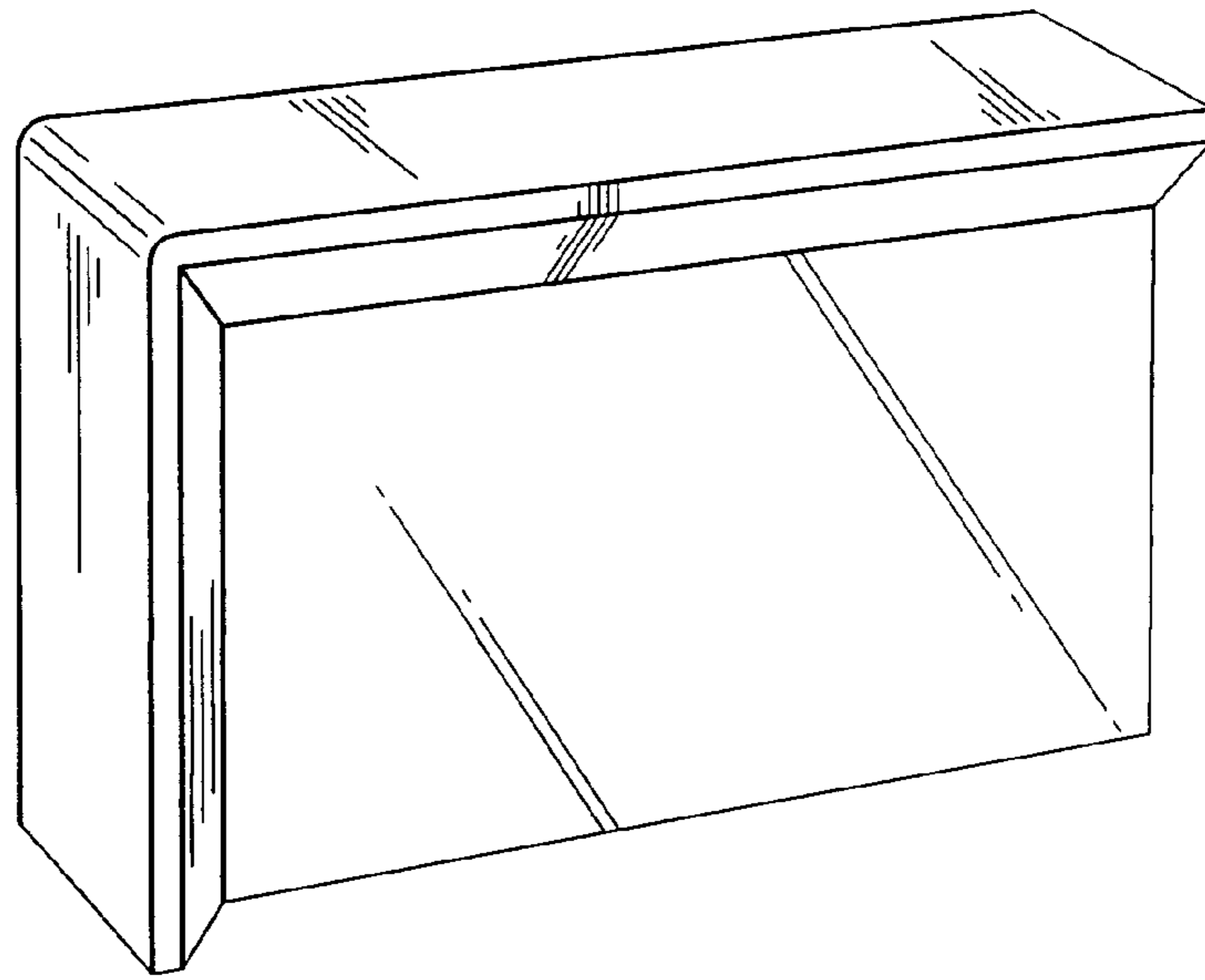


FIG. 8

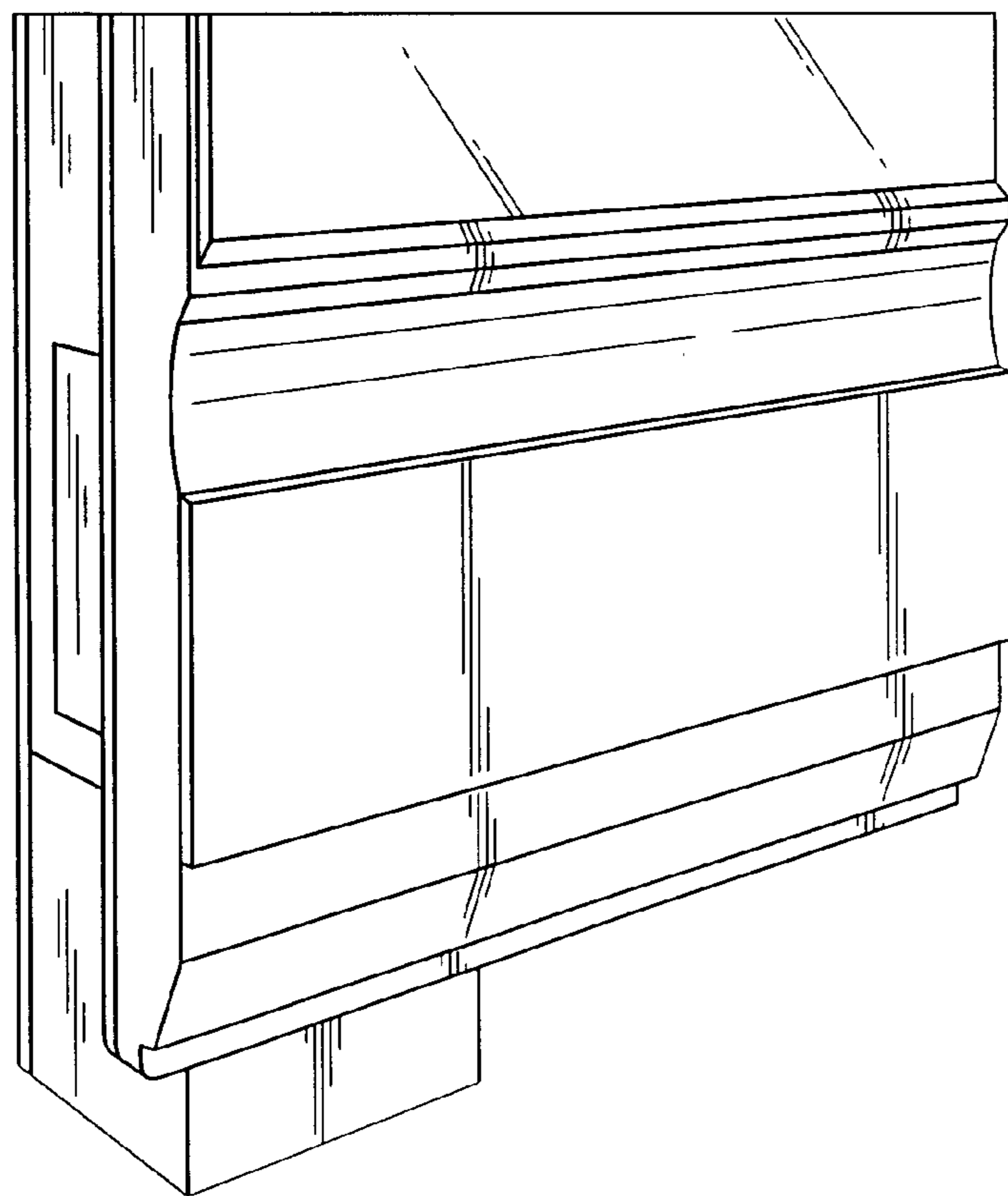


FIG. 9