



US00D566069S

(12) **United States Design Patent**
Honda et al.

(10) **Patent No.:** **US D566,069 S**

(45) **Date of Patent:** **** Apr. 8, 2008**

(54) **TELEVISION SET**

D553,589 S * 10/2007 Fujiki D14/128

(75) Inventors: **Tatsuya Honda**, Yokohama (JP); **Yuh Kuramashi**, Kawasaki (JP)

FOREIGN PATENT DOCUMENTS

CN	3519074D	4/2006
JP	D1125529	11/2001
JP	D1158913	11/2002
JP	D1183080	8/2003
JP	D1213666	8/2004

(73) Assignee: **Kabushiki Kaisha Toshiba** (JP)

(**) Term: **14 Years**

OTHER PUBLICATIONS

(21) Appl. No.: **29/270,353**

Sony Catalog of a Liquid Crystal Television Set (KDL-26S2000), Feb. 2006.

(22) Filed: **Dec. 21, 2006**

B&H Summer 2004 Catalog, pp. 119-123, Jun. 2004.

(51) **LOC (8) Cl.** **14-03**

B&H Spring 2006 Catalog, pp. 59-63, dated Mar. 2006.

(52) **U.S. Cl.** **D14/126**

B&H Summer 2006 Catalog, pp. 63-67, dated Jun. 2006.

(58) **Field of Classification Search** D14/125-134,
D14/239, 371, 136, 374-377; 312/7.2; 348/836,
348/838, 180, 184, 325, 739; 341/12; 248/917-924,
248/465, 123.11; 345/104, 133, 156, 168,
345/87, 173, 169; 349/1, 2, 11, 62; 720/605,
720/669, 600, 655, 99, 197; 455/344-347
See application file for complete search history.

* cited by examiner

Primary Examiner—Raphael Barkai

Assistant Examiner—Randall H Gholson

(74) *Attorney, Agent, or Firm*—Banner & Witcoff, Ltd.

(56) **References Cited**

(57) **CLAIM**

The ornamental design for a television set, as shown and described.

U.S. PATENT DOCUMENTS

DESCRIPTION

D432,101 S	*	10/2000	Oba	D14/126
D491,540 S		6/2004	Honda		
D497,352 S		10/2004	Asanuma et al.		
D503,158 S		3/2005	Asanuma et al.		
D510,730 S		10/2005	Asanuma et al.		
D511,754 S	*	11/2005	Hirano	D14/128
D529,011 S		9/2006	Asanuma et al.		
D529,881 S		10/2006	Honda		
D534,139 S	*	12/2006	Yokota	D14/126
D534,141 S		12/2006	Onoda et al.		
D540,277 S	*	4/2007	Kim et al.	D14/126
D545,778 S	*	7/2007	Isshiki	D14/126
D548,707 S	*	8/2007	Lee	D14/126
D550,177 S	*	9/2007	Yano	D14/128

FIG. 1 is a front, top and right side perspective view of a television set, showing our new design;

FIG. 2 is a front elevational view thereof;

FIG. 3 is a rear elevational view thereof;

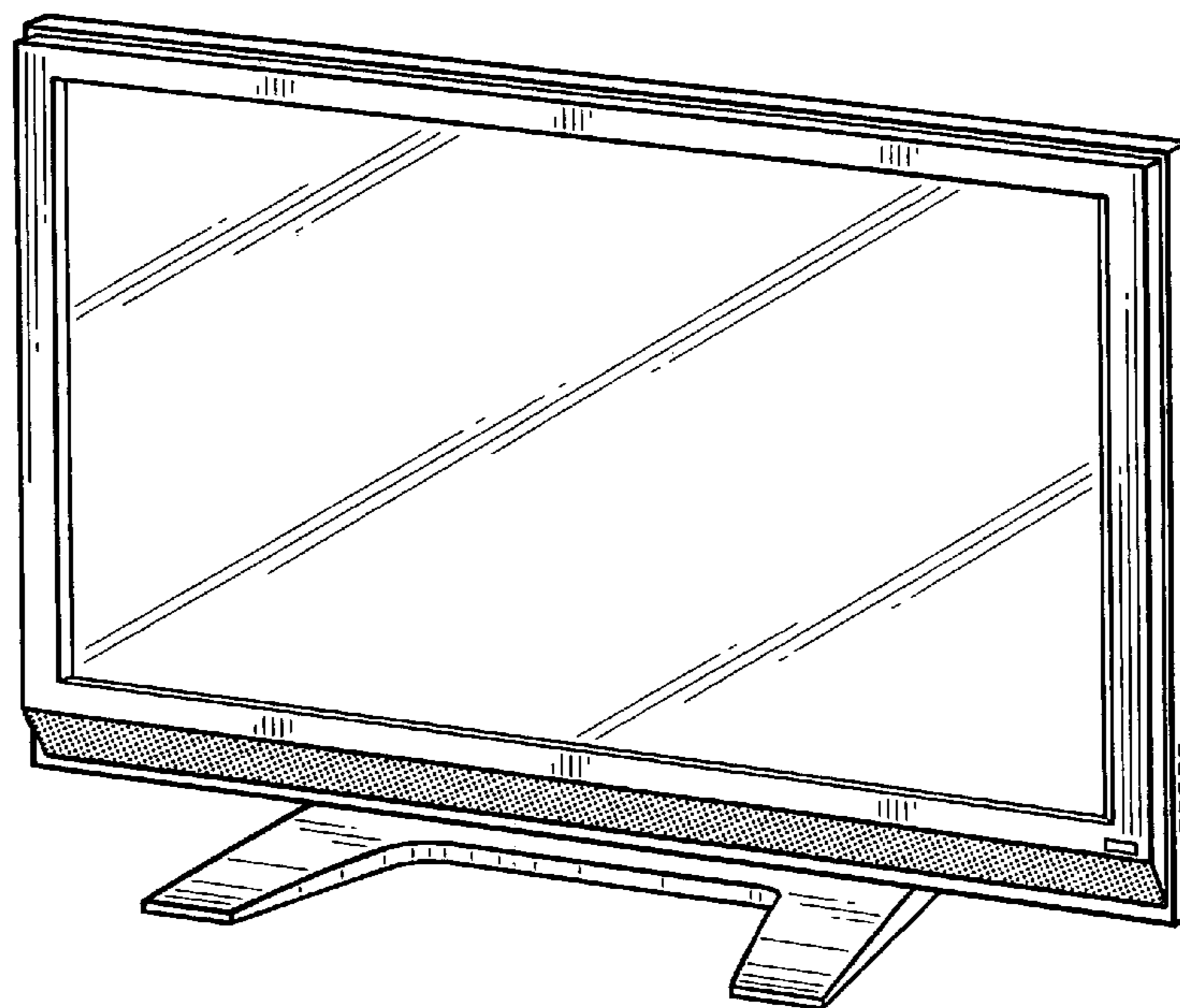
FIG. 4 is a top plan view thereof;

FIG. 5 is a bottom plan view thereof;

FIG. 6 is a left side elevational view thereof; and,

FIG. 7 is a right side elevational view thereof.

1 Claim, 5 Drawing Sheets



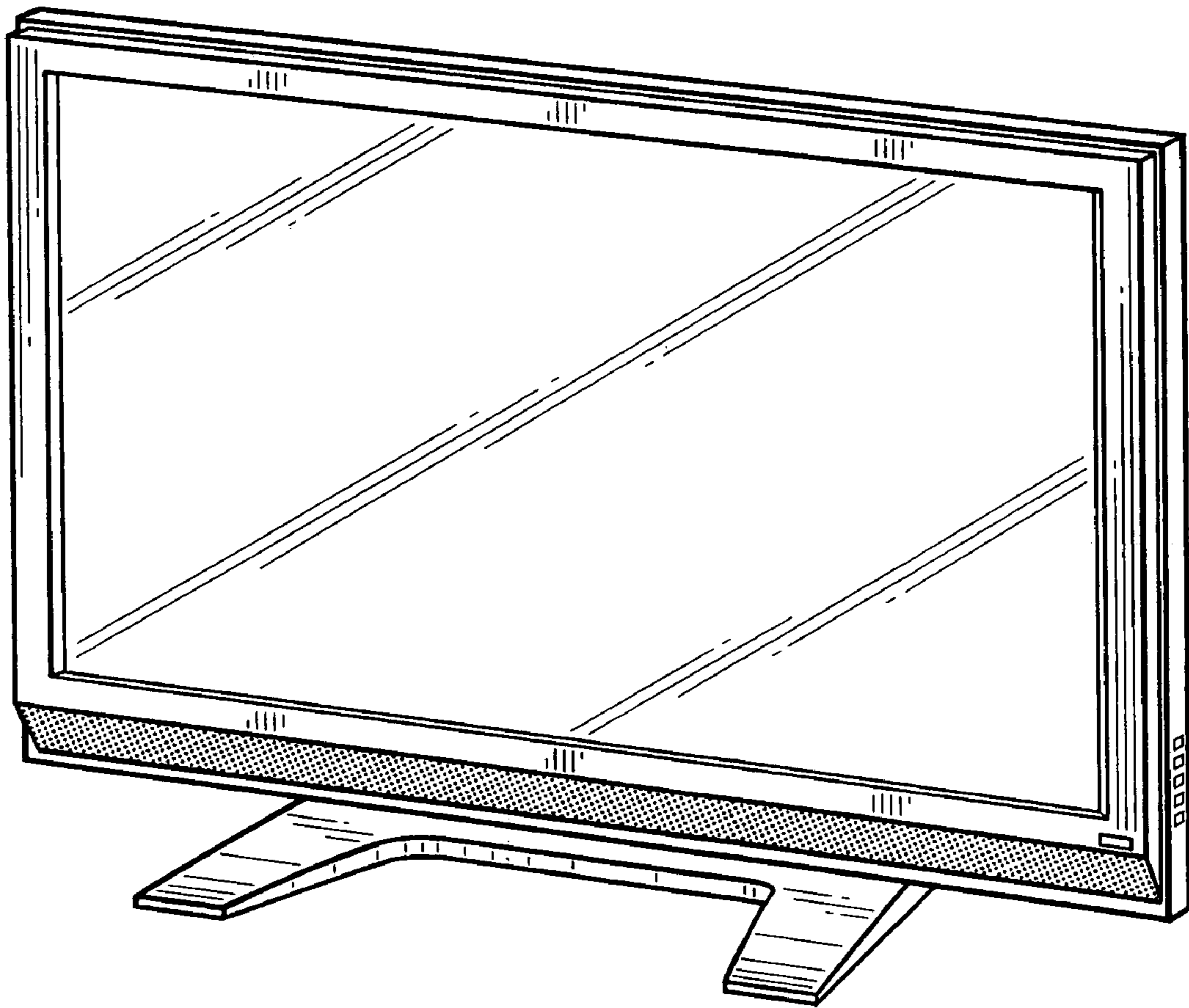


FIG.1

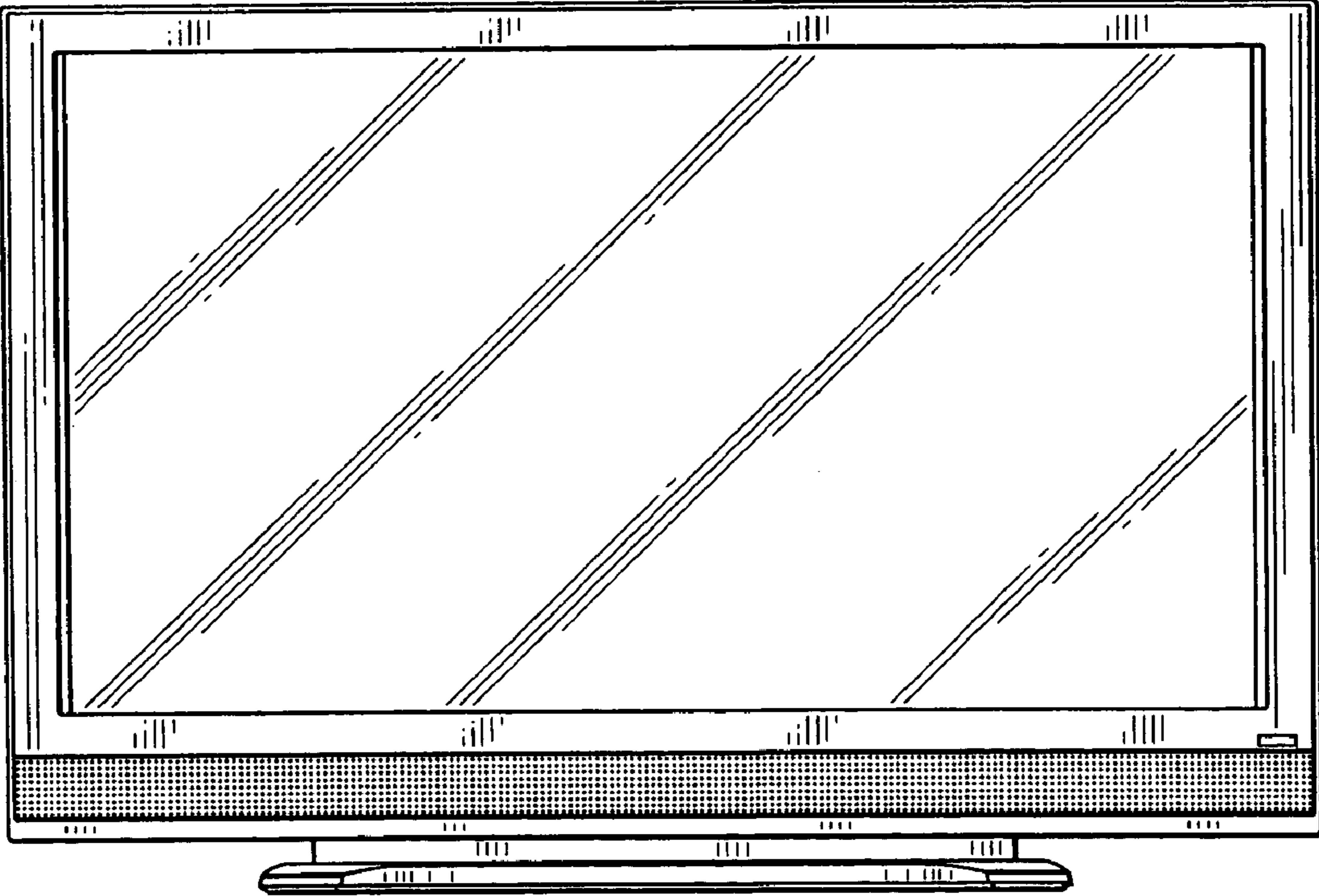


FIG. 2

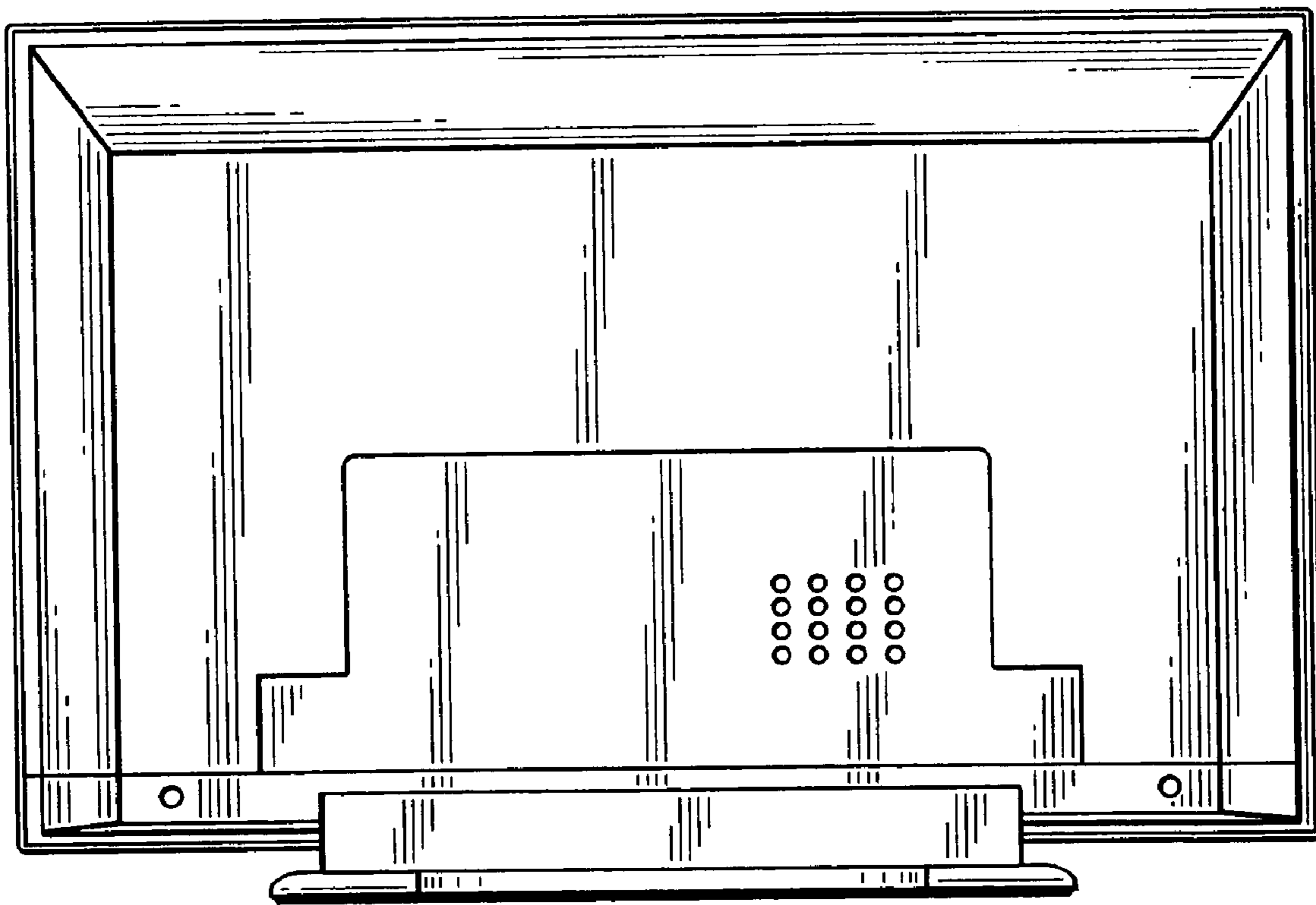


FIG.3

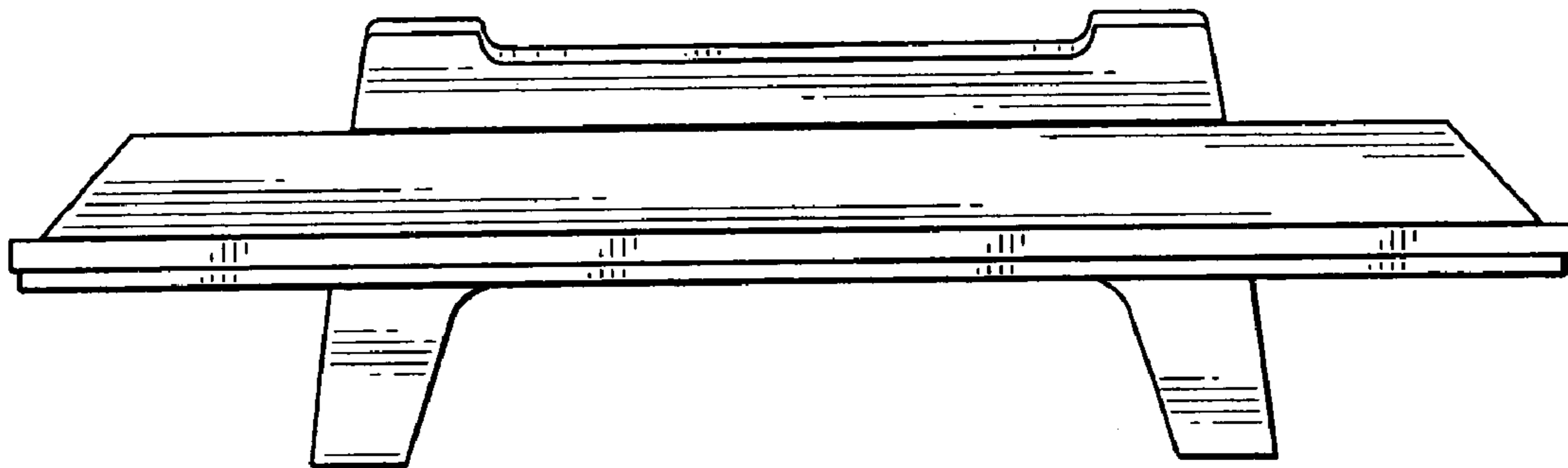


FIG. 4

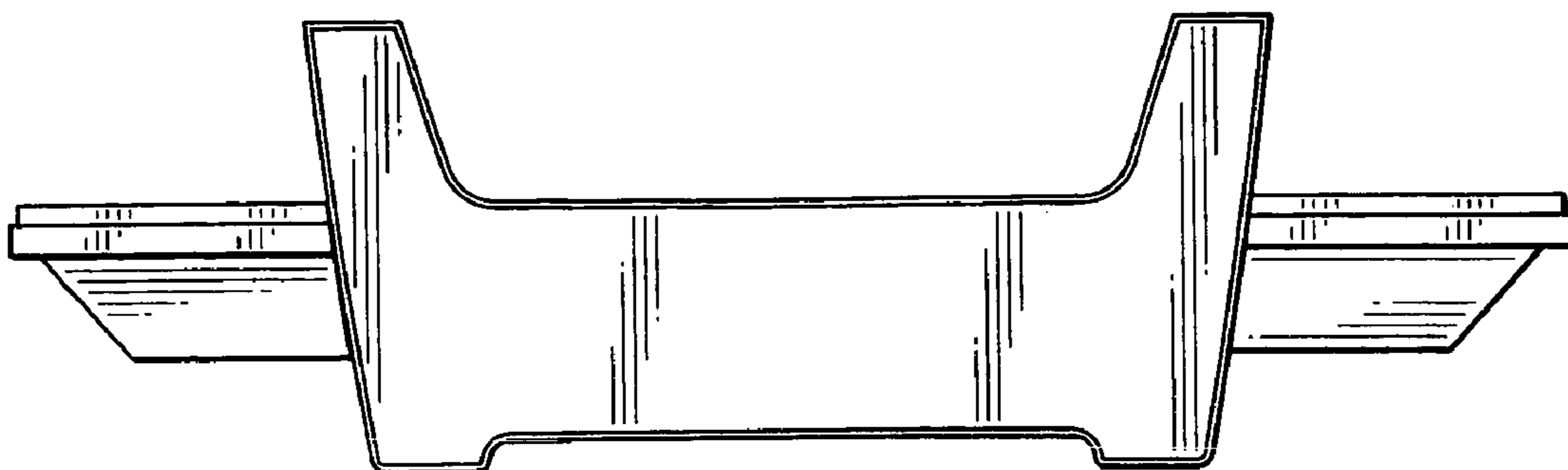


FIG. 5

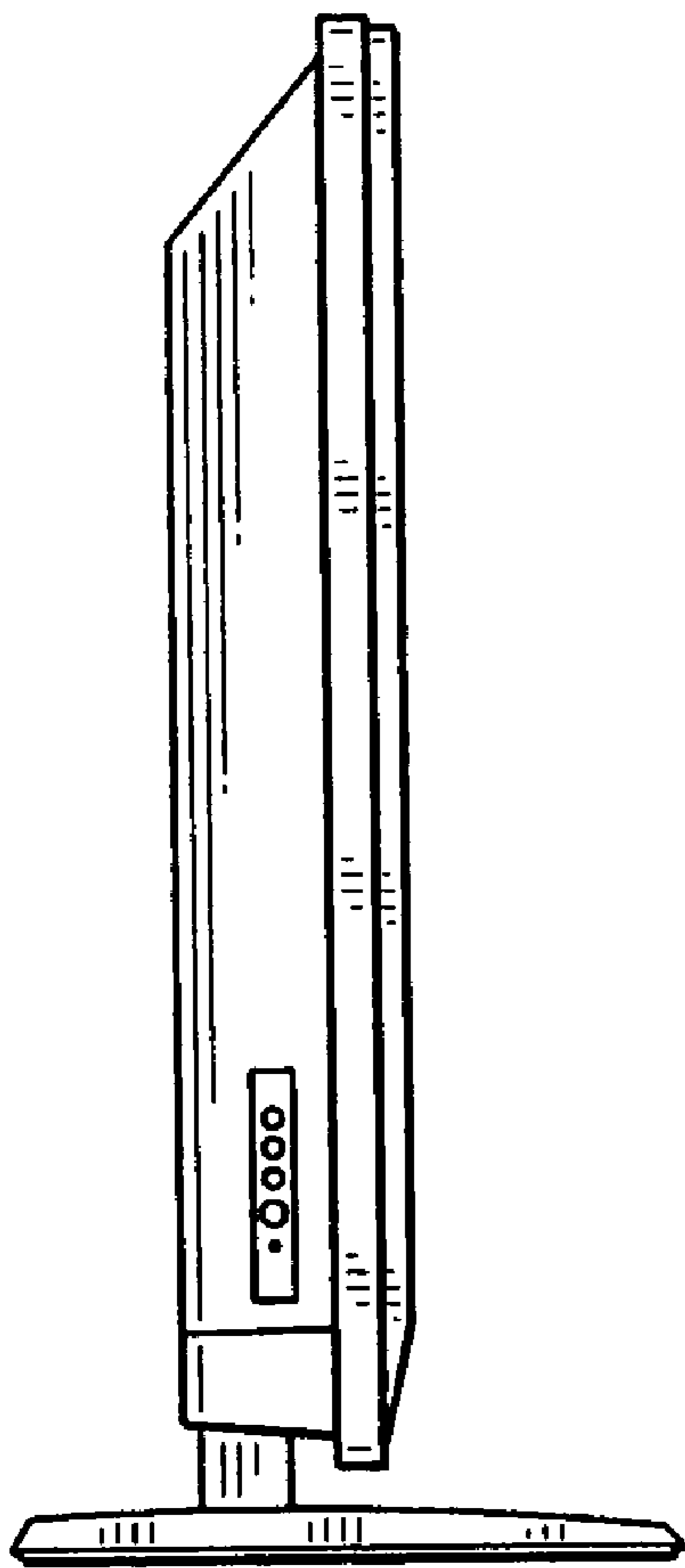


FIG. 6

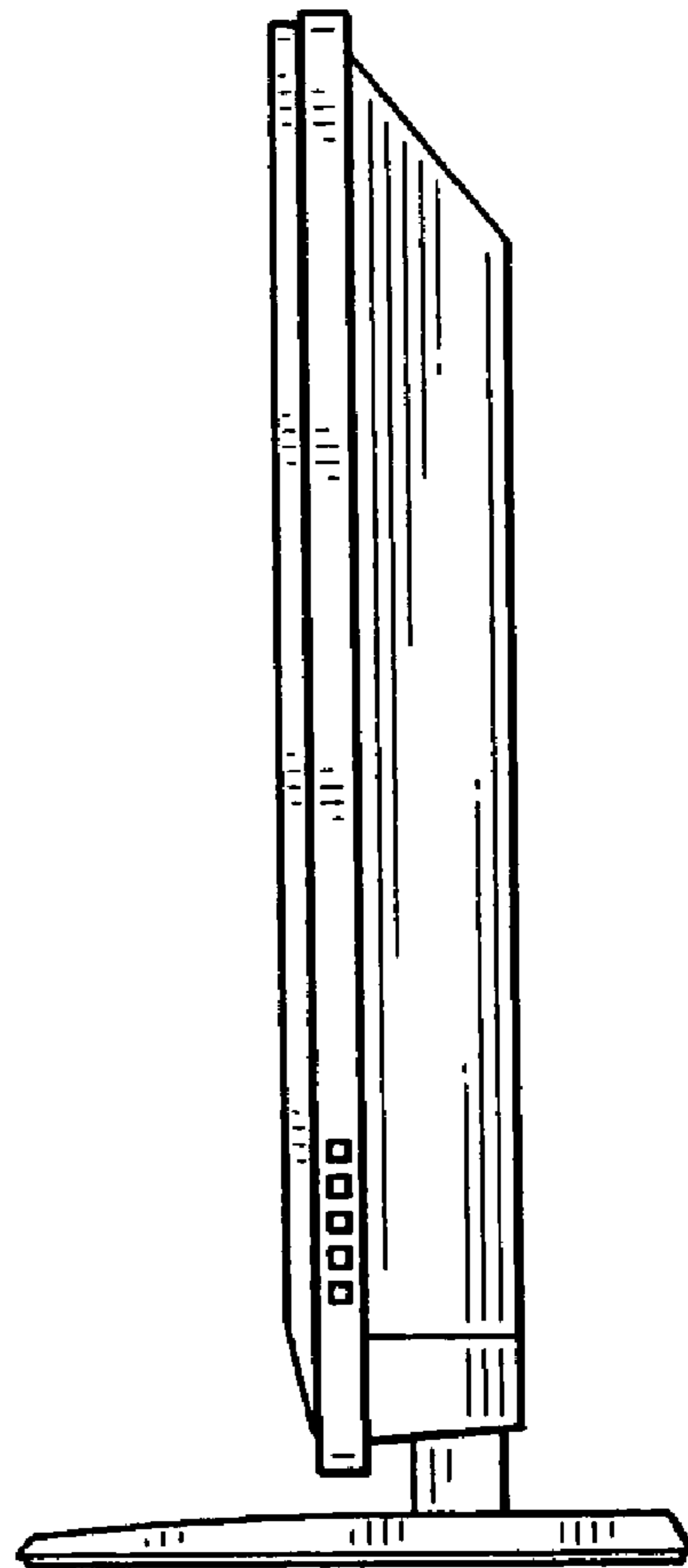


FIG. 7