



US00D566068S

(12) **United States Design Patent** (10) **Patent No.:** **US D566,068 S**  
**Shimizu et al.** (45) **Date of Patent:** **\*\* Apr. 8, 2008**

(54) **TELEVISION RECEIVER**

(75) Inventors: **Machiko Shimizu**, Mitaka (JP);  
**Takumi Matsuda**, Musashino (JP);  
**Takashi Yamamoto**, Kodaira (JP);  
**Minoru Ikeda**, Inagi (JP); **Masahiro Yamamoto**,  
Yokohama (JP); **Tatsuya Nakazawa**, Kamakura (JP)

(73) Assignee: **Hitachi, Ltd.**, Tokyo (JP)

(\*\*) Term: **14 Years**

(21) Appl. No.: **29/270,030**

(22) Filed: **Dec. 14, 2006**

(30) **Foreign Application Priority Data**  
Sep. 25, 2006 (JP) ..... 2006-025583

(51) **LOC (8) Cl.** ..... **14-03**

(52) **U.S. Cl.** ..... **D14/126**

(58) **Field of Classification Search** ..... D14/125-135,  
D14/239, 371, 136, 374-377; 312/7.2; 348/836,  
348/838, 180, 184, 325, 739; 341/12; 248/917-924,  
248/465, 123.11; 345/104, 133, 156, 168,  
345/87, 173, 169; 349/1, 2, 11, 62; 720/605,  
720/669, 600, 655, 99, 197; 455/344-347;  
369/99, 197

See application file for complete search history.

(56) **References Cited**

U.S. PATENT DOCUMENTS

D453,022 S *	1/2002	Oba	.....	D14/374
D499,386 S *	12/2004	Yang	.....	D14/126
D532,759 S *	11/2006	Park	.....	D14/126
D532,764 S *	11/2006	Kim et al.	.....	D14/128
D533,149 S *	12/2006	Inoue	.....	D14/126
D543,163 S *	5/2007	Yang et al.	.....	D14/126
D548,707 S *	8/2007	Lee	.....	D14/126
D551,187 S *	9/2007	Kita	.....	D14/126

\* cited by examiner

*Primary Examiner*—Raphael Barkai

*Assistant Examiner*—Randall H Gholson

(74) *Attorney, Agent, or Firm*—Antonelli, Terry, Stout & Kraus, LLP.

(57) **CLAIM**

The ornamental design for television receiver, as shown.

**DESCRIPTION**

FIG. 1 is a front, top and right side perspective view of television receiver showing our new design;

FIG. 2 is a front elevational view thereof;

FIG. 3 is a rear elevational view thereof;

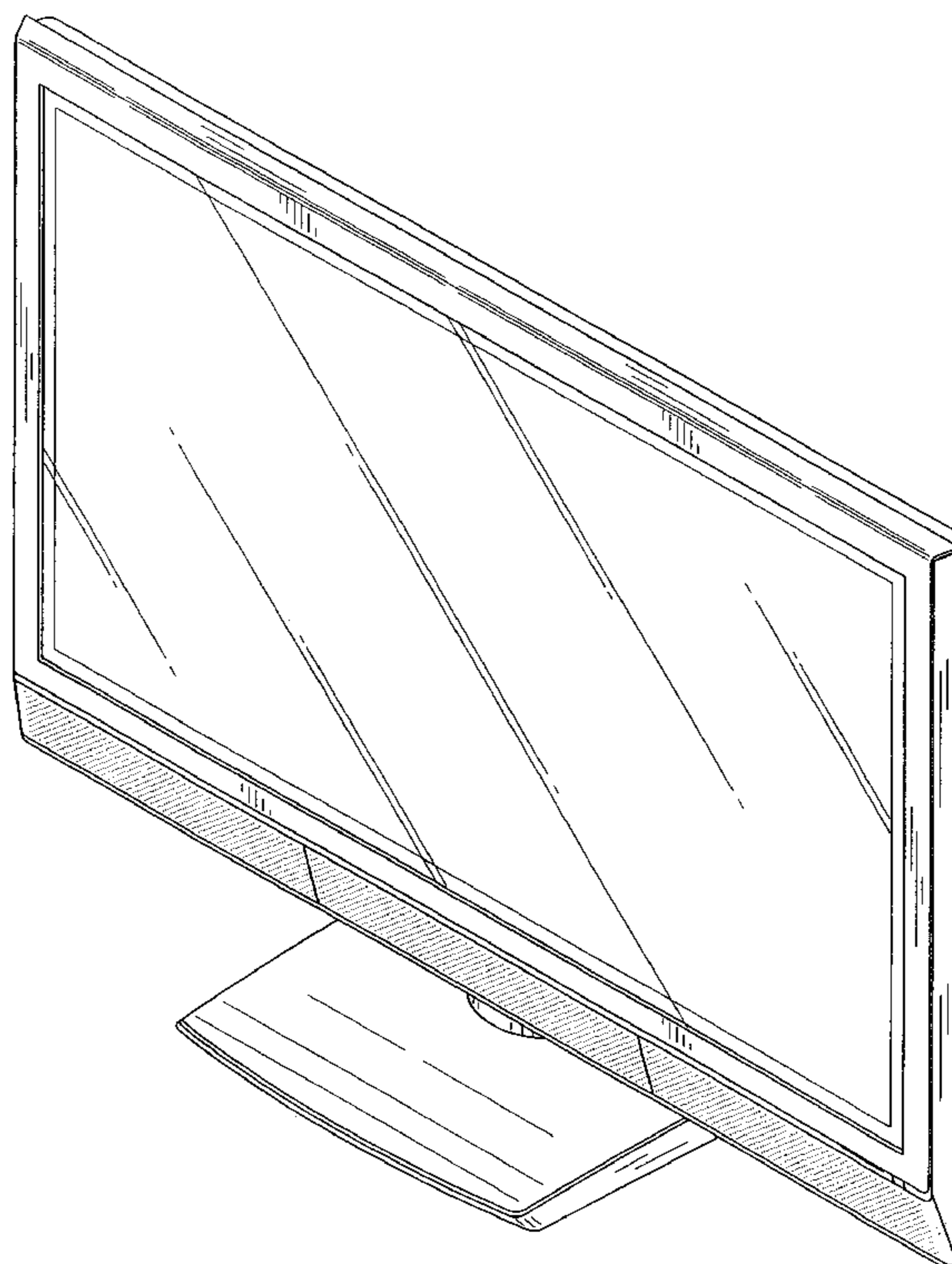
FIG. 4 is a left side elevational view thereof;

FIG. 5 is a right side elevational view thereof;

FIG. 6 is a top plan view thereof; and,

FIG. 7 is a bottom plan view thereof.

**1 Claim, 5 Drawing Sheets**



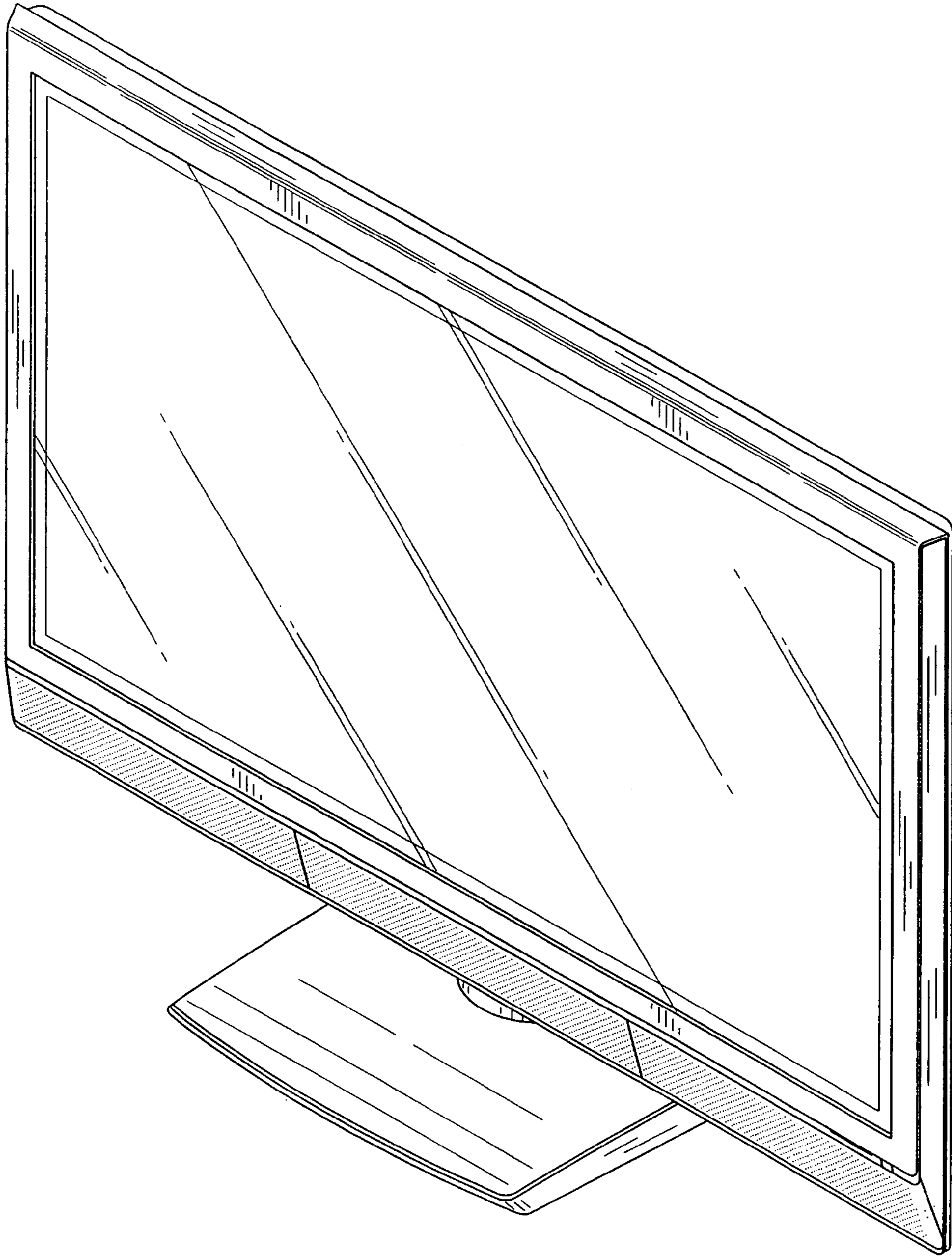


FIG. 1

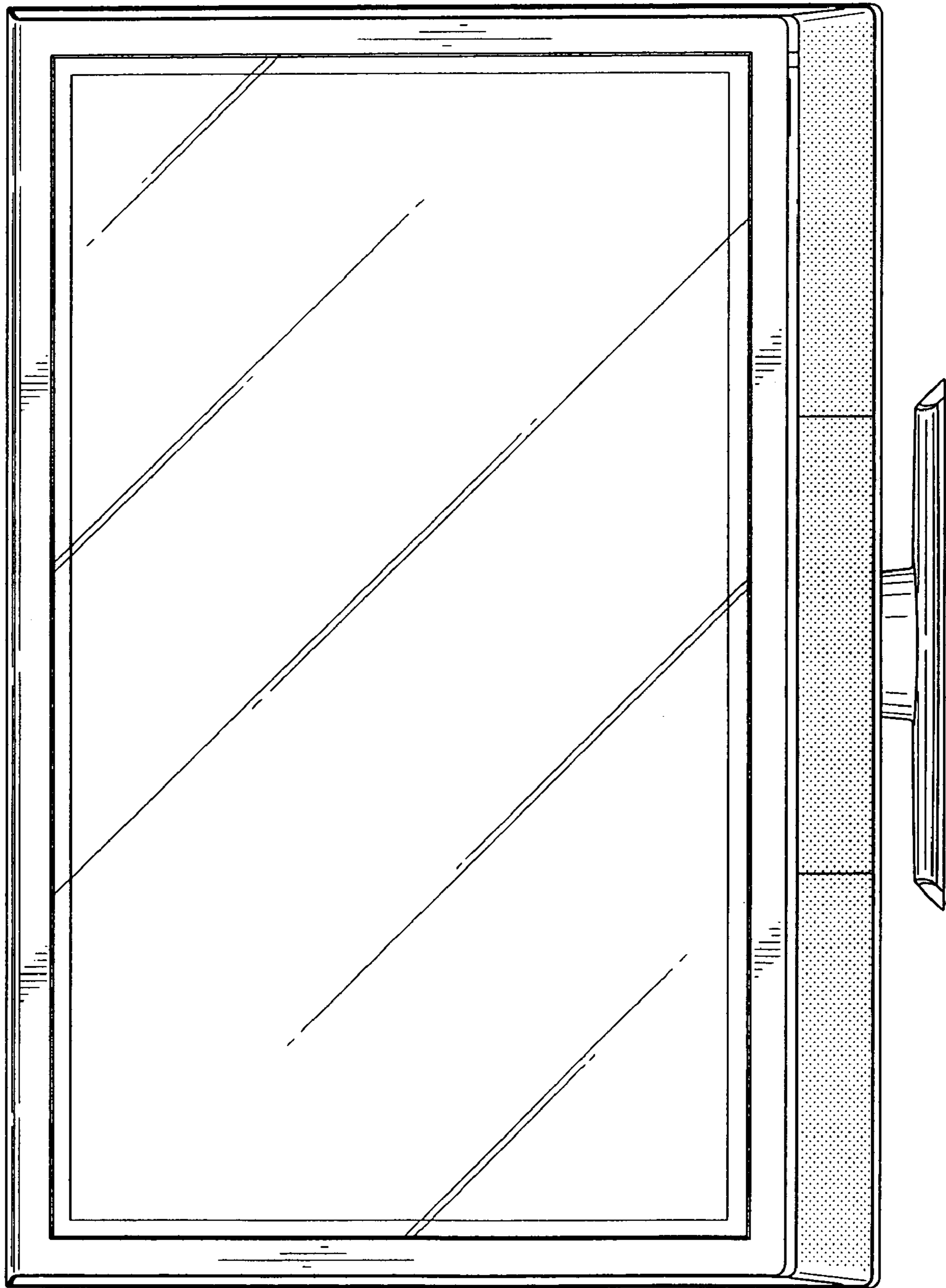


FIG. 2

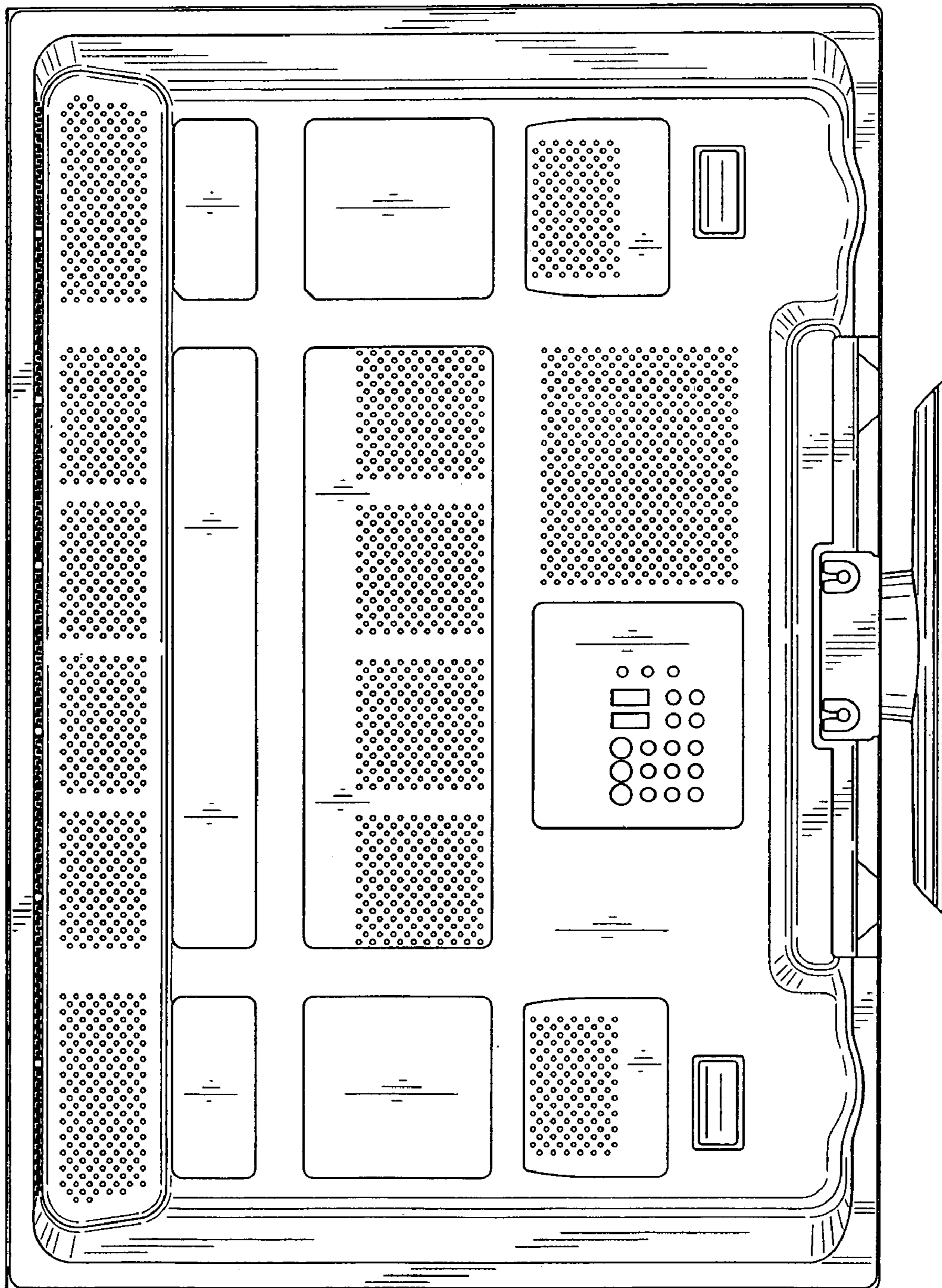
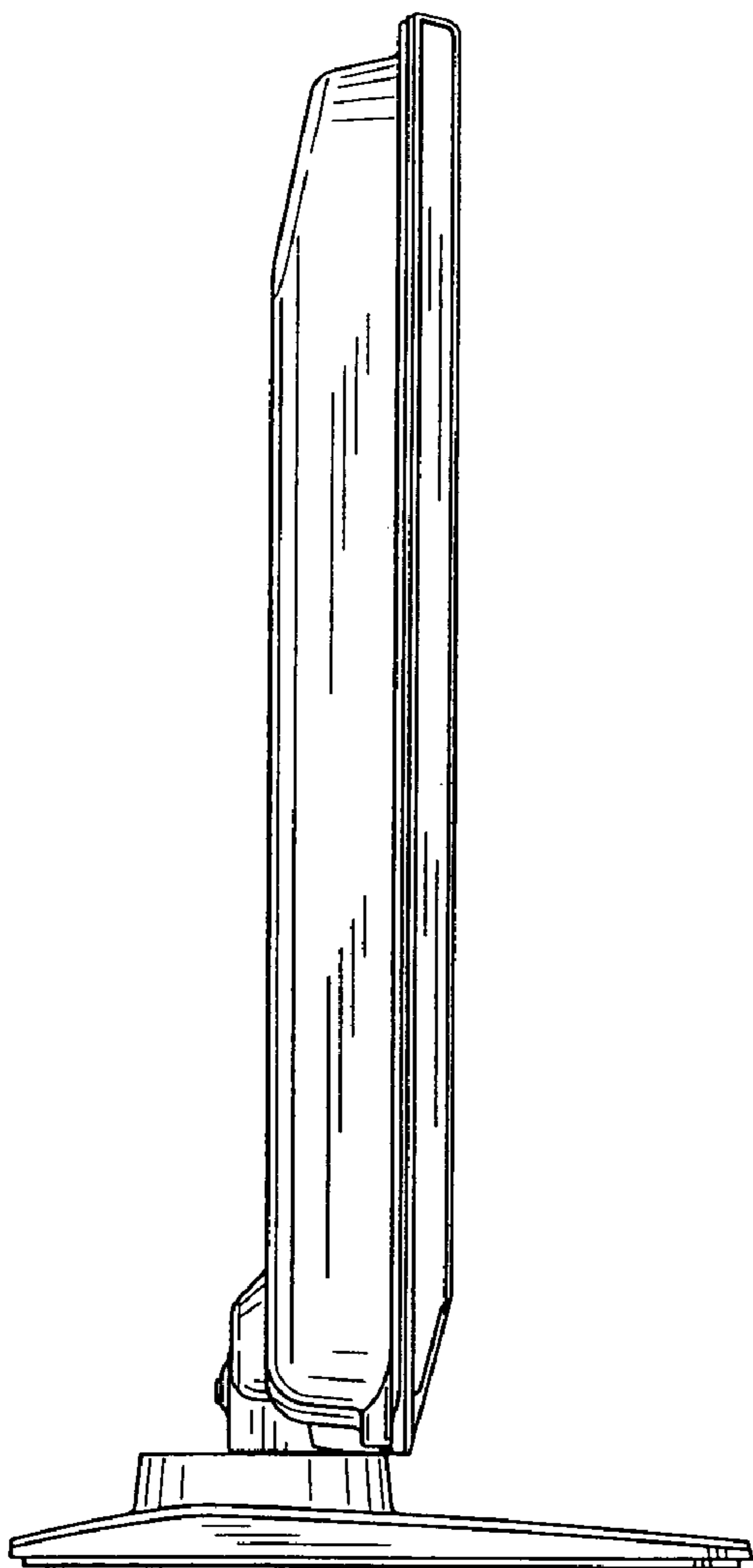
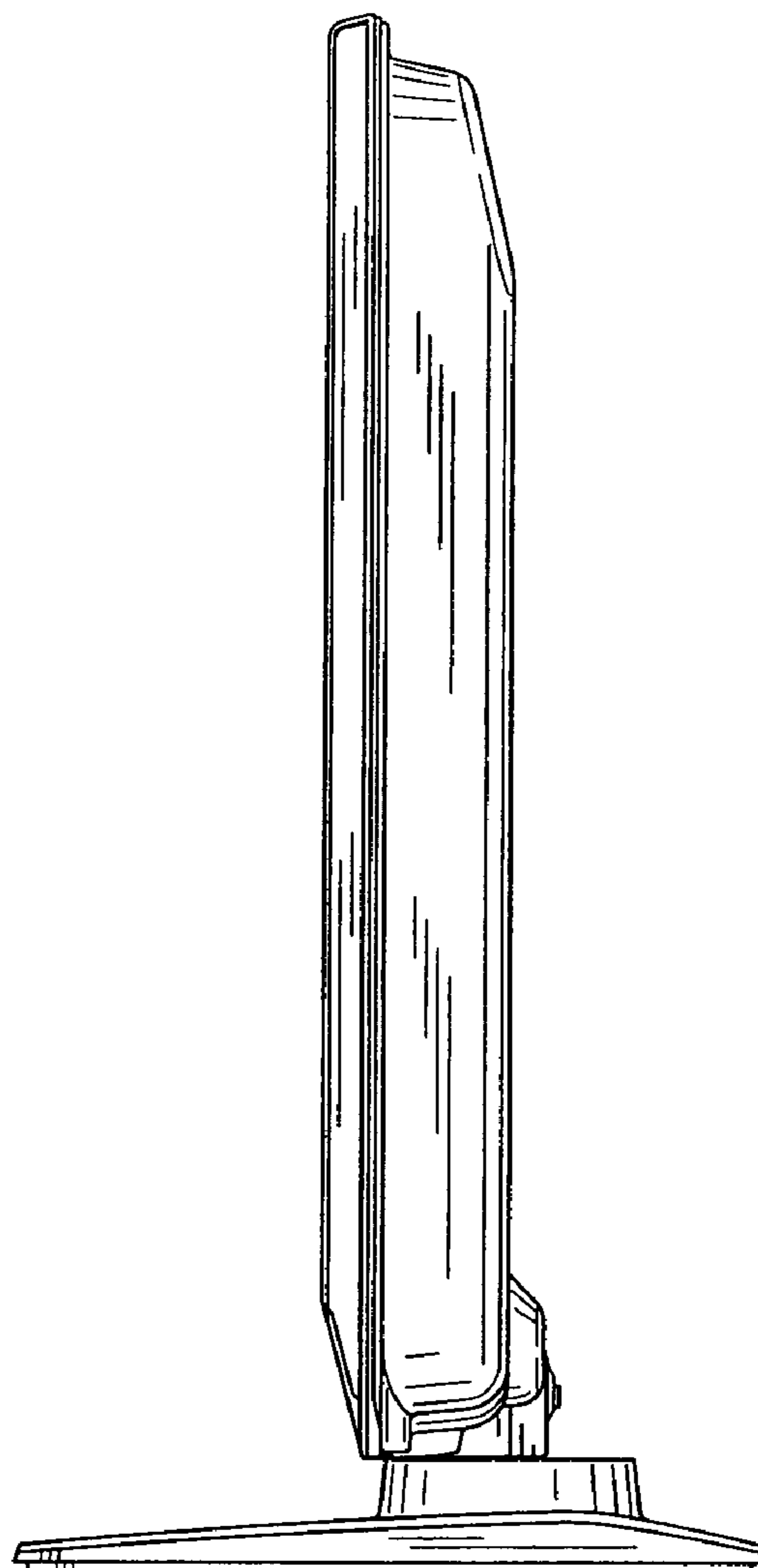


FIG. 3



*FIG. 4*



*FIG. 5*

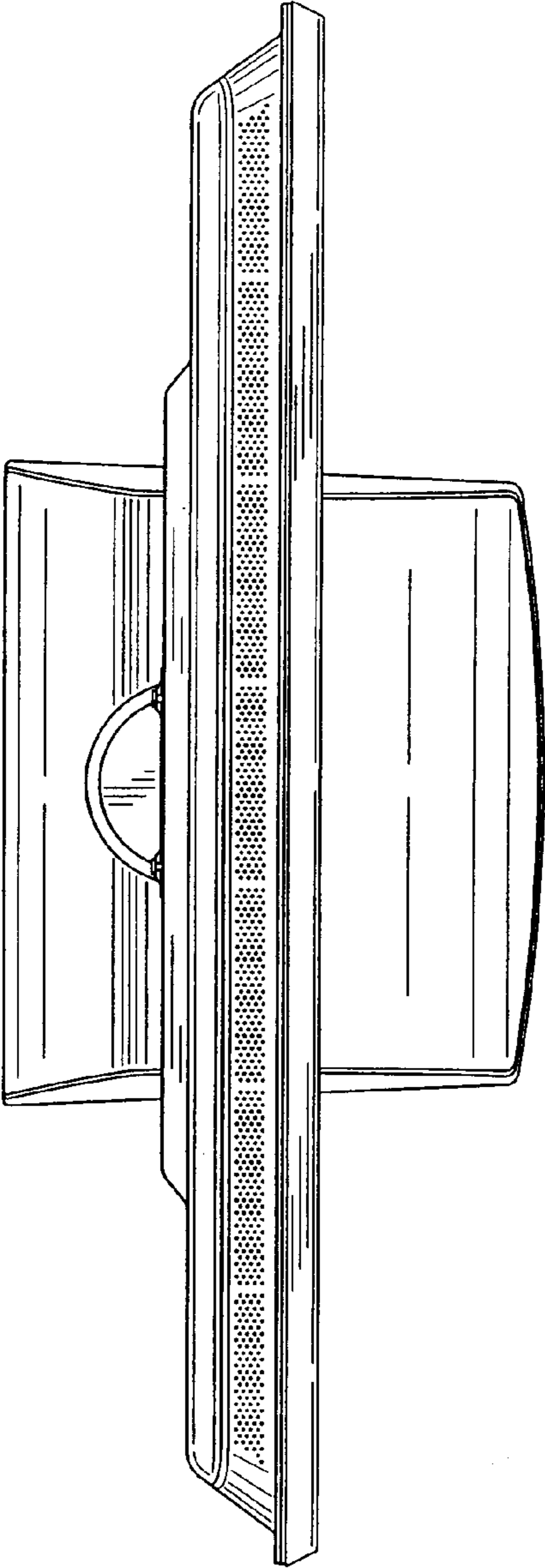


FIG. 6

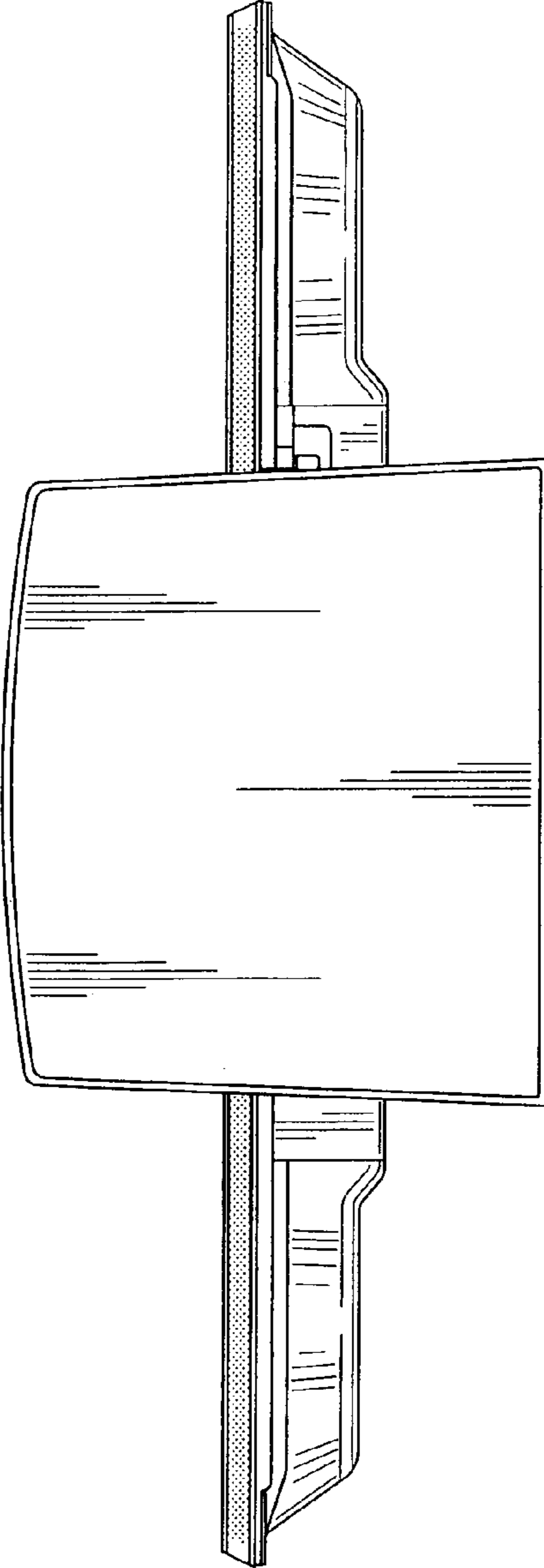


FIG. 7