



US00D566067S

(12) **United States Design Patent**  
**Kita**

(10) **Patent No.:** **US D566,067 S**

(45) **Date of Patent:** **\*\* Apr. 8, 2008**

(54) **TELEVISION SET**

(75) Inventor: **Toshiyuki Kita**, Osaka (JP)

(73) Assignee: **Sharp Kabushiki Kaisha**, Osaka (JP)

(\*\*) Term: **14 Years**

(21) Appl. No.: **29/266,494**

(22) Filed: **Sep. 22, 2006**

(30) **Foreign Application Priority Data**

Mar. 23, 2006 (JP) ..... 2006-007161

(51) **LOC (8) Cl.** ..... **14-03**

(52) **U.S. Cl.** ..... **D14/126**

(58) **Field of Classification Search** ..... D14/125-134,  
D14/239, 371, 136, 374-377; 312/7.2; 348/836,  
348/838, 180, 184, 325, 739; 341/12; 248/917-924,  
248/465, 123.11; 345/104, 133, 156, 168,  
345/87, 173, 169; 349/1, 2, 11, 62; 720/605,  
720/669, 600, 655, 99, 197; 455/344-347;  
369/99, 197

See application file for complete search history.

(56) **References Cited**

**U.S. PATENT DOCUMENTS**

D337,113 S	7/1993	Saito
D342,497 S	12/1993	Saito et al.
D342,501 S	12/1993	Saeki et al.
D351,155 S	10/1994	Usami et al.
D351,156 S	10/1994	Usami et al.
D357,244 S	4/1995	Usami et al.
D357,245 S	4/1995	Usami et al.
D357,472 S	4/1995	Usami et al.
D369,596 S	5/1996	Akiyama et al.
D372,026 S	7/1996	Akiyama et al.
D373,583 S	9/1996	Akiyama et al.

D427,169 S	6/2000	Saeki et al.
D429,227 S	8/2000	Shimizu
D431,537 S	10/2000	Saeki et al.
D438,848 S	3/2001	Kita
D439,224 S	3/2001	Kita
D439,225 S	3/2001	Kita
D453,747 S	2/2002	Kita
D453,748 S	2/2002	Kita
D456,370 S	4/2002	Kita
D458,910 S	6/2002	Kita

(Continued)

**OTHER PUBLICATIONS**

Fuji et al., entitled, "Television Set," U.S. Appl. No. 29/228,974, filed May 2, 2005, pending.

(Continued)

*Primary Examiner*—Raphael Barkai  
*Assistant Examiner*—Randall H Gholson  
(74) *Attorney, Agent, or Firm*—Nixon & Vanderhye, PC

(57) **CLAIM**

The ornamental design for a "television set," as shown and described.

**DESCRIPTION**

FIG. 1 is a perspective view of a television set in accordance with my new design;

FIG. 2 is a front elevation view thereof;

FIG. 3 is a rear elevation view thereof;

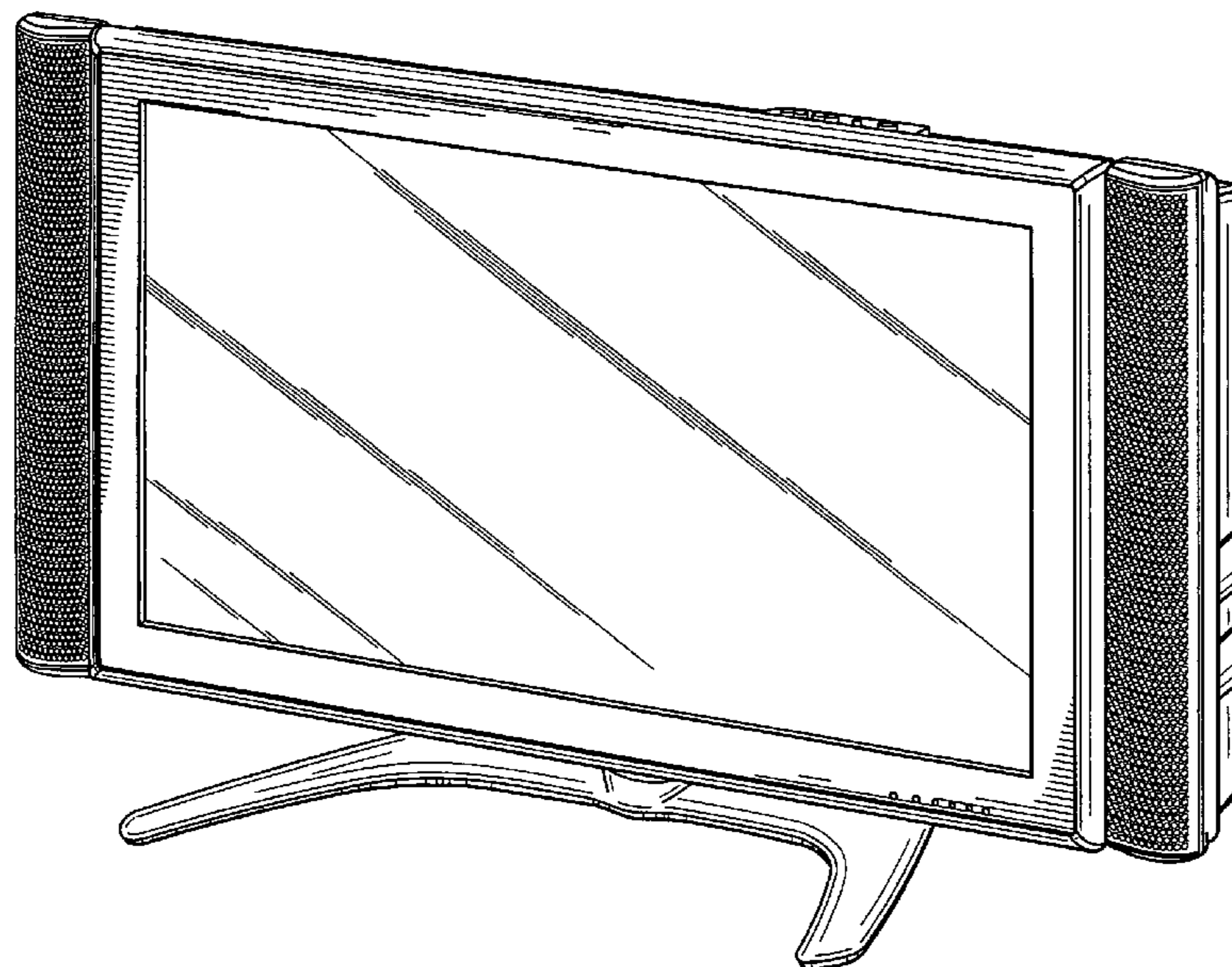
FIG. 4 is a top plan view thereof;

FIG. 5 is a bottom plan view thereof;

FIG. 6 is a right side elevational view thereof; and,

FIG. 7 is a left side elevational view thereof.

**1 Claim, 6 Drawing Sheets**



U.S. PATENT DOCUMENTS

D462,353	S	*	9/2002	Kita	.....	D14/374
D476,632	S	*	7/2003	Inoue et al.	.....	D14/126
D492,269	S		6/2004	Kita		
D496,915	S		10/2004	Kita		
D497,351	S		10/2004	Kita		
D497,599	S		10/2004	Kita		
D499,076	S		11/2004	Kita		
D501,186	S		1/2005	Kita		
D501,654	S		2/2005	Kita		
D502,451	S		3/2005	Kita		
D502,931	S		3/2005	Kita		
D505,123	S		5/2005	Kita		
D505,405	S	*	5/2005	Honda et al.	.....	D14/128
D510,731	S		10/2005	Kita		
D512,385	S		12/2005	Kita		
D512,386	S		12/2005	Kita		
D512,387	S		12/2005	Kita		
D543,519	S	*	5/2007	Kita	.....	D14/126
D548,206	S	*	8/2007	Han	.....	D14/126
D551,663	S	*	9/2007	Kita	.....	D14/239

OTHER PUBLICATIONS

Kita, entitled, "Television Set," U.S. Appl. No. 29/229,686, filed May 11, 2005, pending.  
 Fuji et al., entitled, "Television Set," U.S. Appl. No. 29/228,975, filed May 2, 2005, pending.  
 Kita, entitled, "Television Set," U.S. Appl. No. 29/232,697, filed Jun. 23, 2005, pending.  
 Kita, entitled, "Television Set," U.S. Appl. No. 29/232,616, filed Jun. 22, 2005, pending.  
 Kita, entitled, "Television Set," U.S. Appl. No. 29/232,622, filed Jun. 22, 2005, pending.  
 Kita, entitled, "Television Set," U.S. Appl. No. 29/232,620, filed Jun. 22, 2005, pending.  
 Kita, entitled, "Television Set," U.S. Appl. No. 29/232,607, filed Jun. 22, 2005, pending.  
 Kita, entitled, "Television Set," U.S. Appl. No. 29/232,621, filed Jun. 22, 2005, pending.  
 Kita, entitled, "Television Set," U.S. Appl. No. 29/232,614, filed Jun. 22, 2005, pending.  
 Totsuka, entitled, "Television Set," U.S. Appl. No. 29/254,754, filed Dec. 29, 2005, pending.  
 Kita, entitled, "Television Set," U.S. Appl. No. 29/243,346, filed Nov. 23, 2005, pending.  
 Kita, entitled, "Television Set," U.S. Appl. No. 29/243,348, filed Nov. 23, 2005, pending.  
 Kita, entitled, "Television Set," U.S. Appl. No. 29/243,347, filed Nov. 23, 2005, pending.  
 Kita, entitled, "Television Set," U.S. Appl. No. 29/243,703, filed Nov. 30, 2005, pending.  
 Kita, entitled, "Television Set," U.S. Appl. No. 29/243,704, filed Nov. 30, 2005, pending.

Kita, entitled, "Television Set," U.S. Appl. No. 29/243,707, filed Nov. 30, 2005, pending.  
 Kita, entitled, "Television Set," U.S. Appl. No. 29/245,015, filed Dec. 19, 2005, pending.  
 Kita, entitled, "Television Set," U.S. Appl. No. 29/253,456, filed Feb. 8, 2006, pending.  
 Kita, entitled, "Television Set," U.S. Appl. No. 29/243,350 filed Nov. 23, 2005, pending.  
 Kita, entitled, "Externally Exposed Surfaces of a Speaker for a Television Set," U.S. Appl. No. 29/243,705, filed Nov. 30, 2005, pending.  
 Kita, entitled, "Television Set," U.S. Appl. No. 29/253,455, filed Feb. 8, 2006, pending.  
 Kita, entitled, "Television Set," U.S. Appl. No. 29/261,811, filed Jun. 21, 2006, pending.  
 Kita, entitled, "Television Set," U.S. Appl. No. 29/261,807, filed Jun. 21, 2006, pending.  
 Kita, entitled, "Television Set," U.S. Appl. No. 29/261,813, filed Jun. 21, 2006, pending.  
 Kita, entitled, "Television Set," U.S. Appl. No. 29/260,910, filed Jun. 21, 2006, pending.  
 Kita, entitled, "Television Set," U.S. Appl. No. 29/261,815, filed Jun. 21, 2006, pending.  
 Kita, entitled, "Television Set," U.S. Appl. No. 29/261,810, filed Jun. 21, 2006, pending.  
 Kita, entitled, "Television Set," U.S. Appl. No. 29/261,805, filed Jun. 21, 2006, pending.  
 Kita, entitled, "Television Set," U.S. Appl. No. 29/261,804, filed Jun. 21, 2006, pending.  
 Kita, entitled, "Television Set," U.S. Appl. No. 29/261,803, filed Jun. 21, 2006, pending.  
 Kita, entitled, "Television Set," U.S. Appl. No. 29/261,801, filed Jun. 21, 2006, pending.  
 Inuma et al., entitled, "Television Set," U.S. Appl. No. 29/261,809, filed Jun. 21, 2006, pending.  
 Inuma et al., entitled, "Television Set," U.S. Appl. No. 29/261,806, filed Jun. 21, 2006, pending.  
 Fujii et al., entitled, "Television Set," U.S. Appl. No. 29/261,811, filed Jun. 21, 2006, pending.  
 Fujii et al., entitled, "Television Set," U.S. Appl. No. 29/261,807, filed Jun. 21, 2006, pending.  
 Fujii et al., entitled, "Television Set," U.S. Appl. No. 29/261,813, filed Jun. 21, 2006, pending.  
 Fujii et al., entitled, "Television Set," U.S. Appl. No. 29/260,910, filed Jun. 21, 2006, pending.  
 Fujii et al., entitled, "Television Set," U.S. Appl. No. 29/266,495, filed Sep. 22, 2006, pending.  
 Fujii et al., entitled, "Television Set," U.S. Appl. No. 29/261,802, filed Jun. 21, 2006, pending.

\* cited by examiner

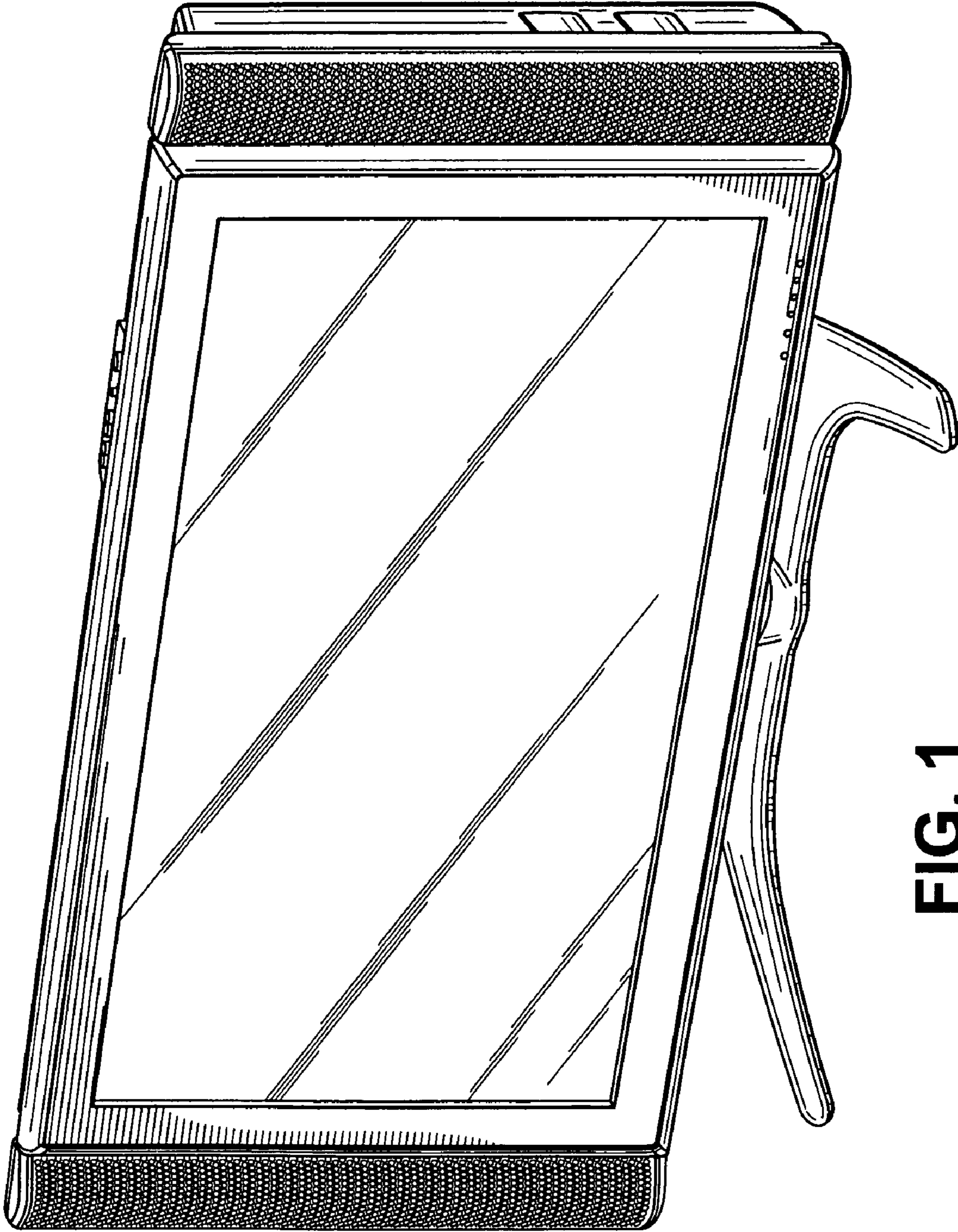


FIG. 1

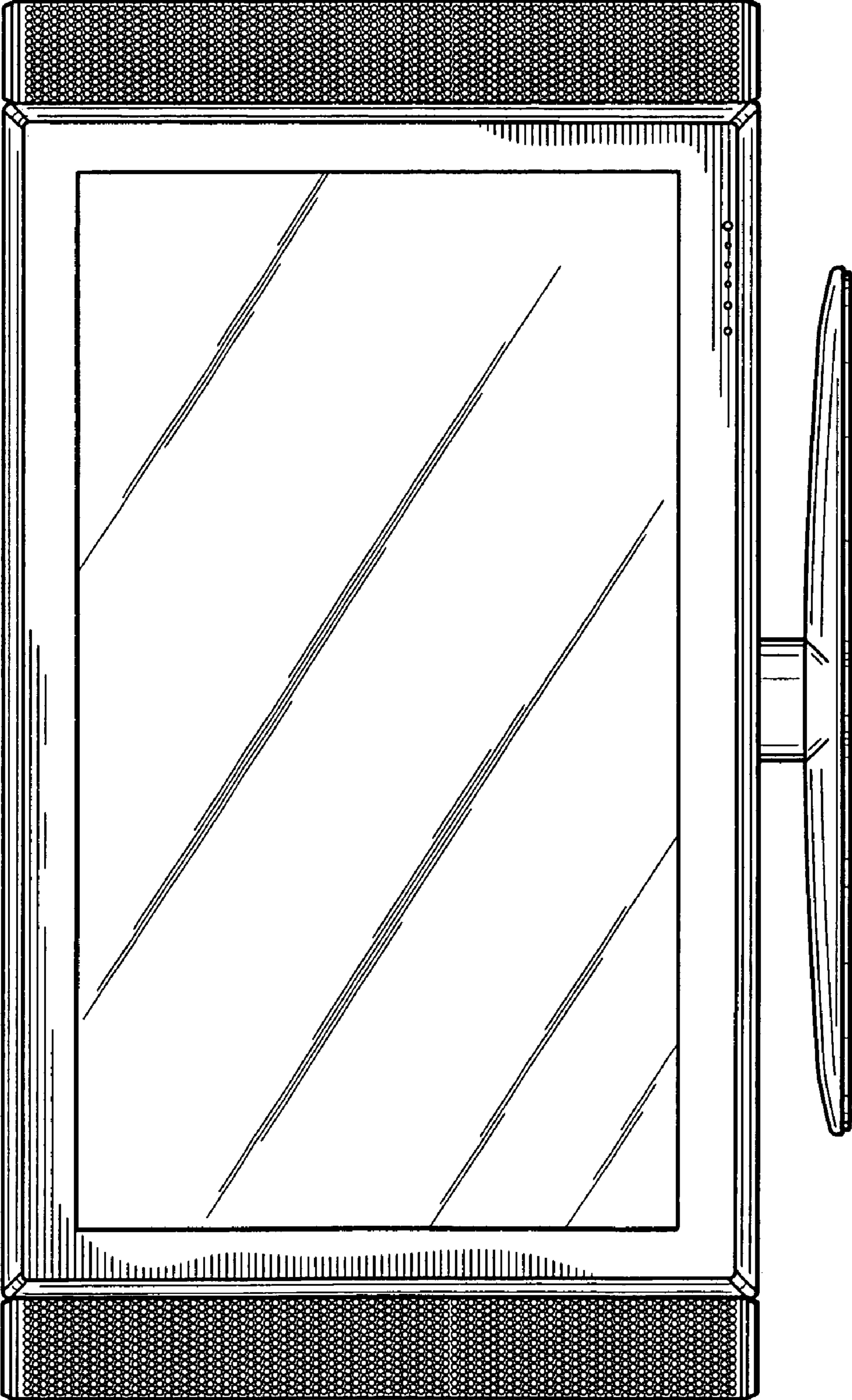


FIG. 2

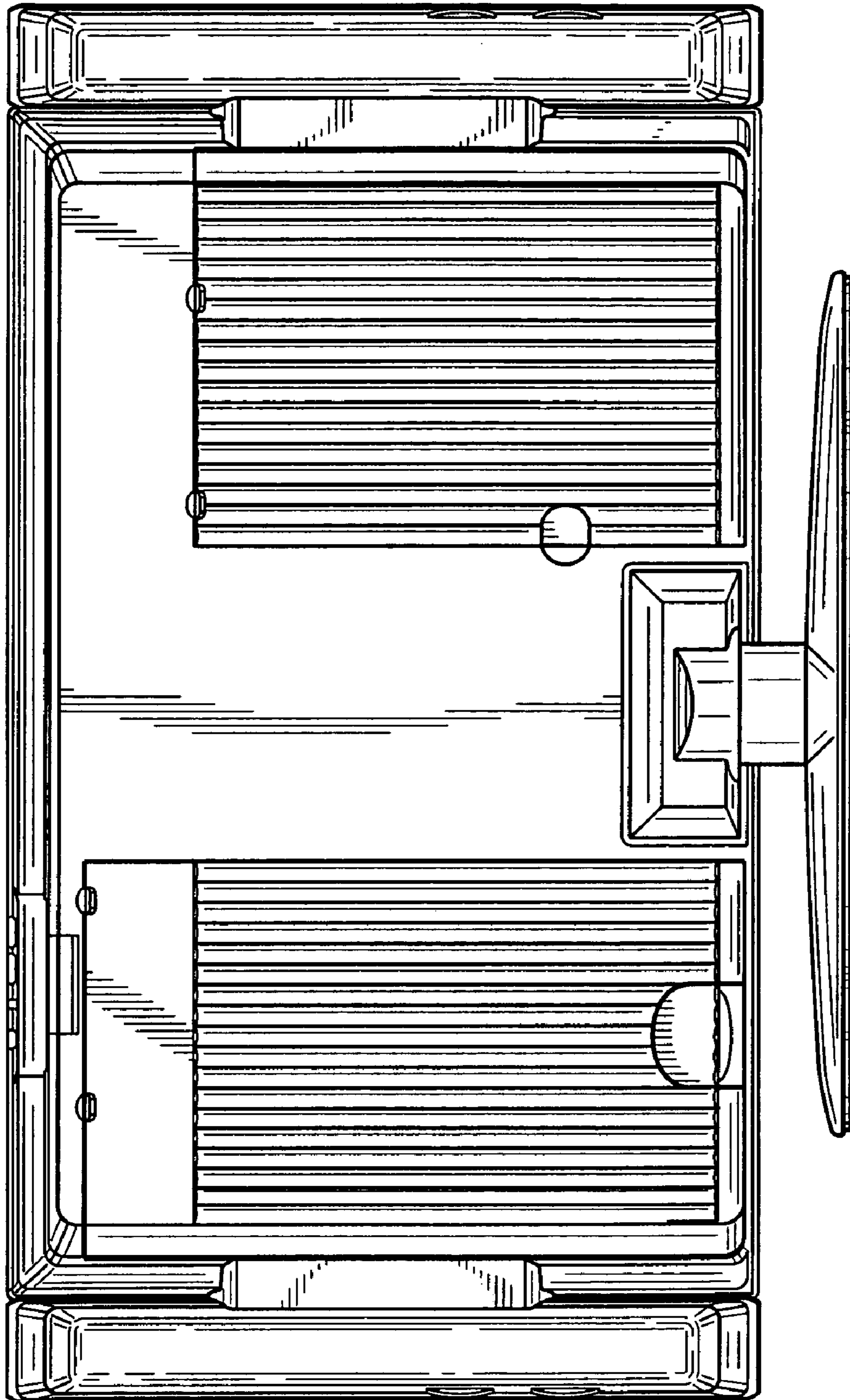
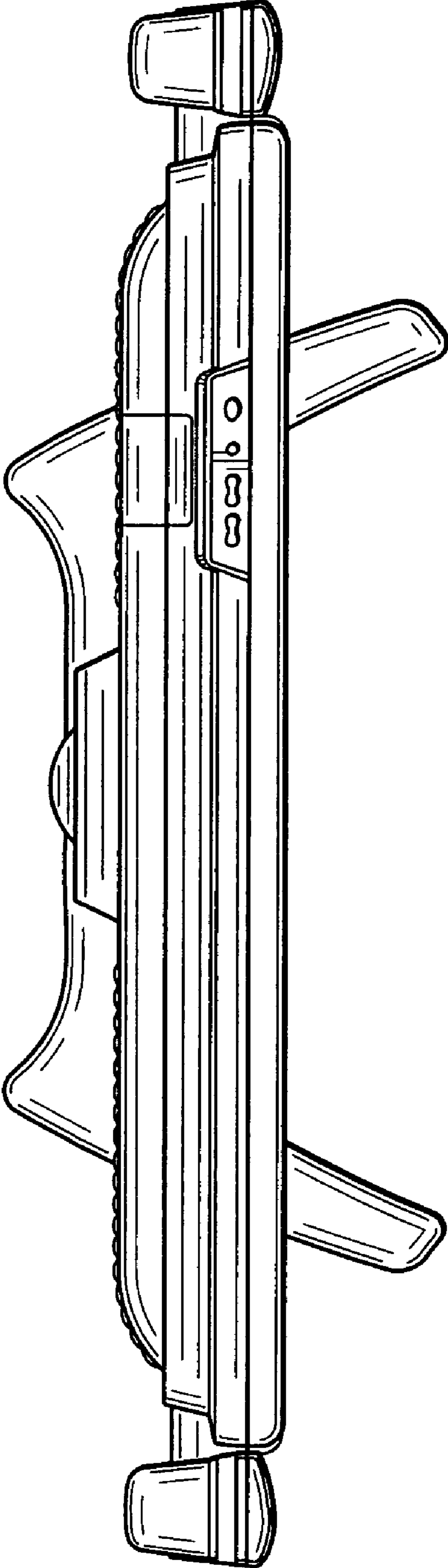
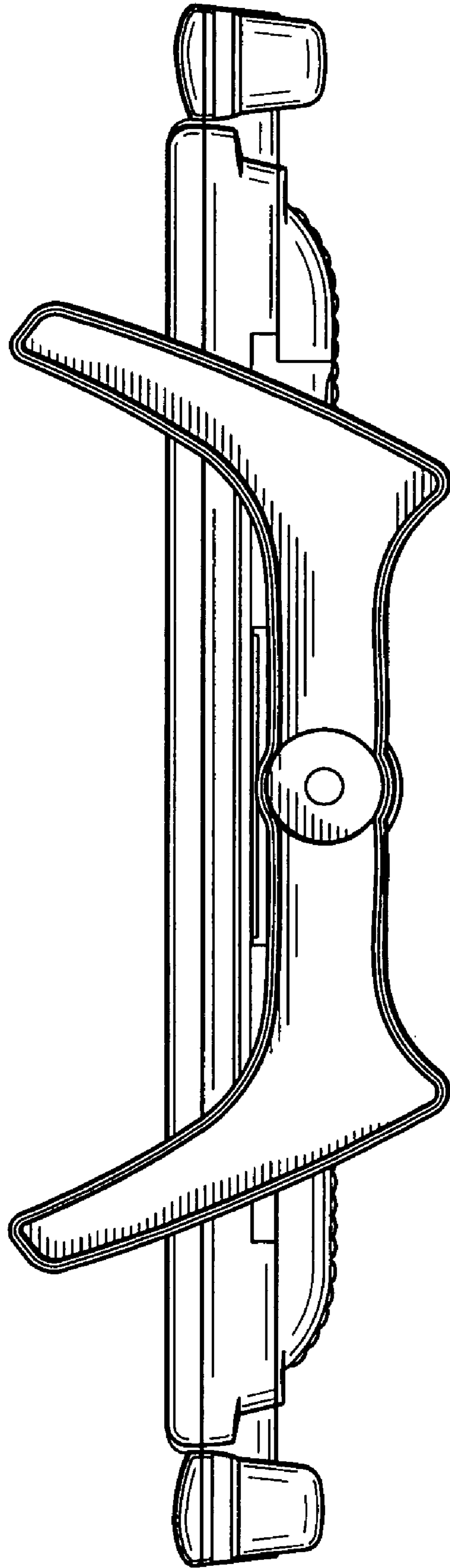


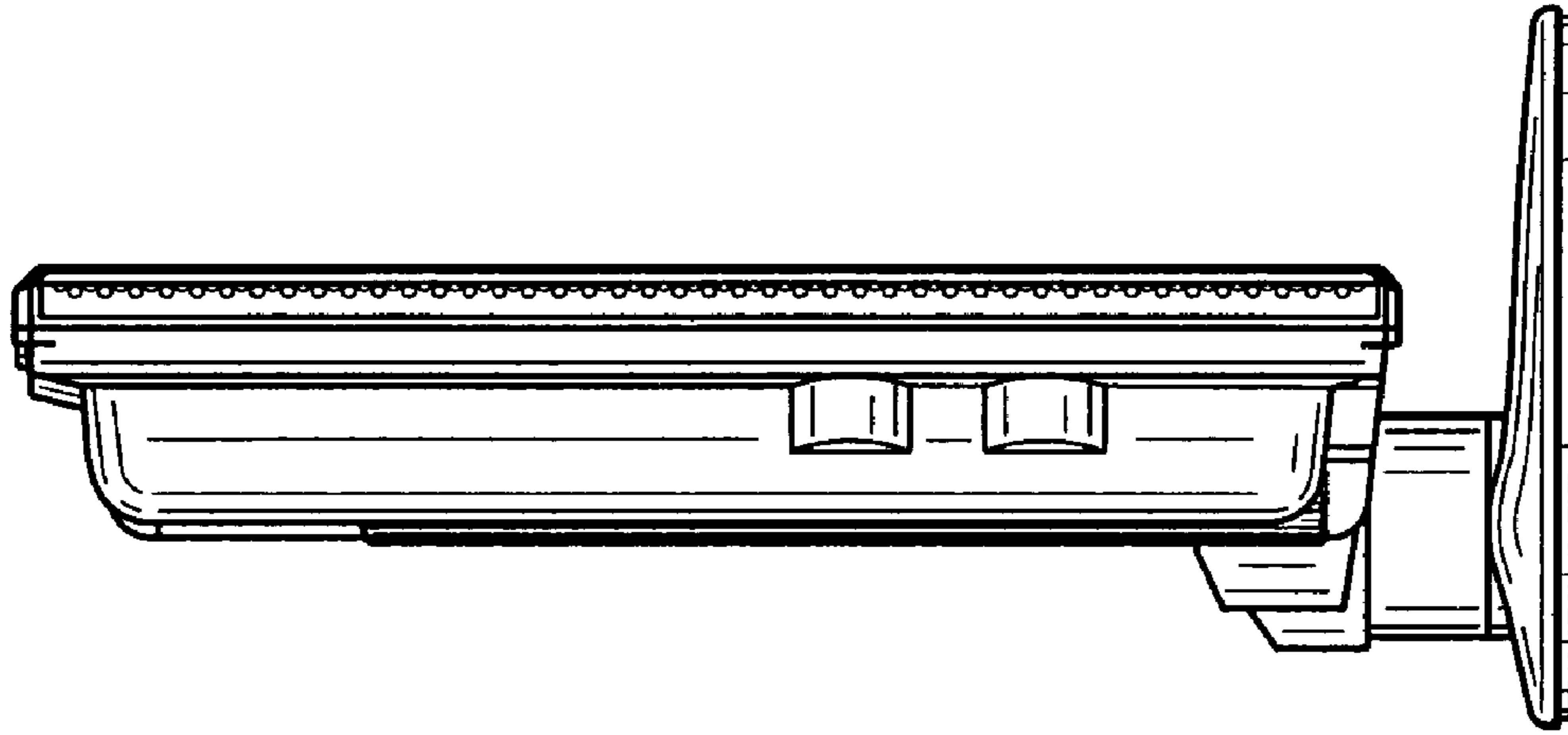
FIG. 3



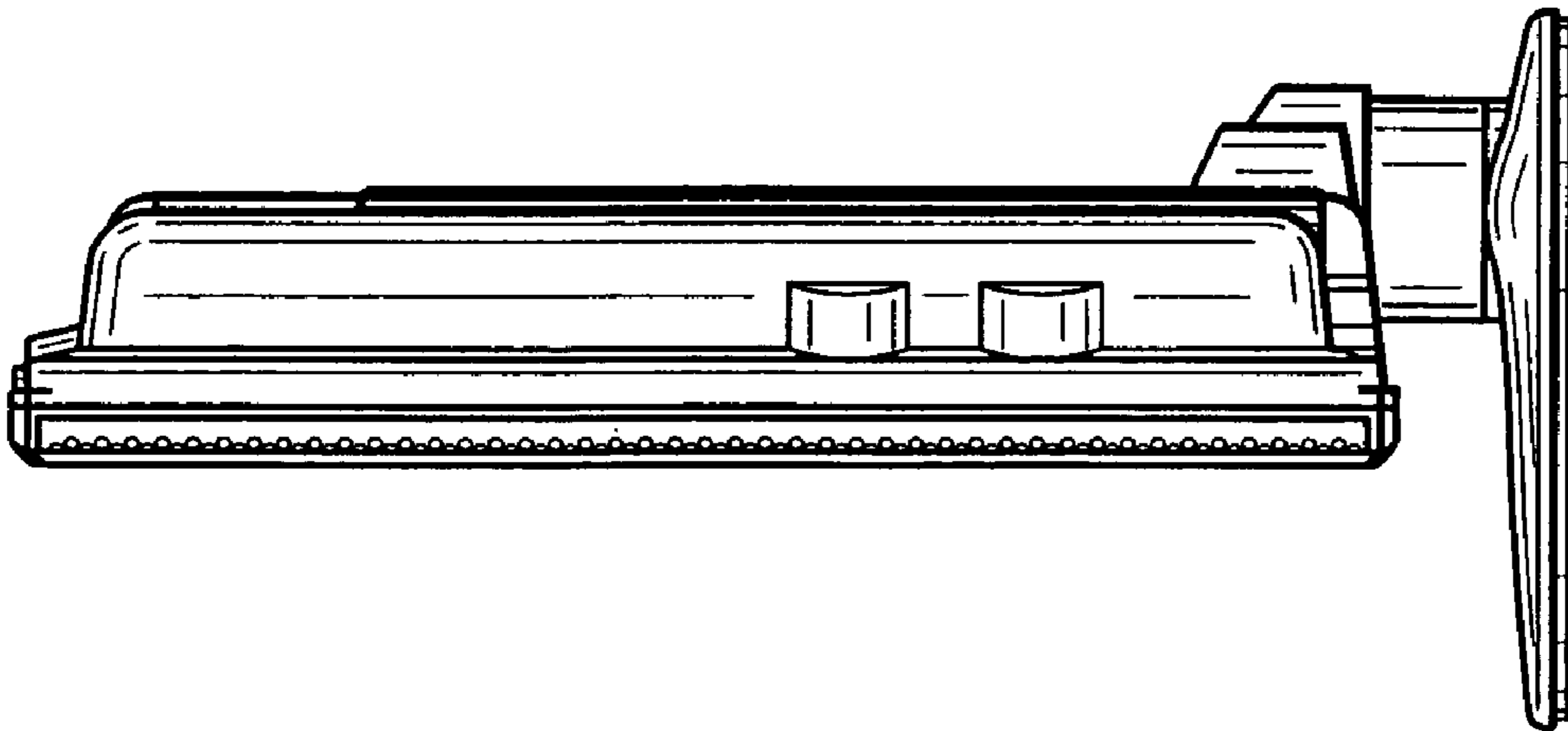
**FIG. 4**



**FIG. 5**



**FIG. 7**



**FIG. 6**