



US00D566064S

(12) **United States Design Patent**
Kanao

(10) **Patent No.:** **US D566,064 S**

(45) **Date of Patent:** **** Apr. 8, 2008**

(54) **SYNTHETIC RESIN PIPE**

(75) Inventor: **Shigeki Kanao**, Osaka (JP)

(73) Assignee: **Kanaflex Corporation**, Osaka (JP)

(**) Term: **14 Years**

(21) Appl. No.: **29/255,941**

(22) Filed: **Mar. 15, 2006**

(30) **Foreign Application Priority Data**

Sep. 22, 2005 (JP) 2005-027443

(51) **LOC (8) Cl.** **13-99**

(52) **U.S. Cl.** **D13/199; D23/266**

(58) **Field of Classification Search** D23/266;
138/121, 122, 173, 133, 129; D25/199; D13/199,
D13/155, 129

See application file for complete search history.

(56) **References Cited**

U.S. PATENT DOCUMENTS

| | | | | |
|-----------|-----|---------|-----------------|-----------|
| 3,926,222 | A * | 12/1975 | Shroy et al. | 138/122 |
| D307,174 | S * | 4/1990 | Bjorkman et al. | D23/266 |
| D356,858 | S * | 3/1995 | Folkman | D23/266 |
| RE35,820 | E * | 6/1998 | Guginsky | 174/102 R |
| D399,828 | S * | 10/1998 | Eidsvig | D13/156 |
| 5,823,817 | A * | 10/1998 | Pyle | 439/447 |
| D405,522 | S * | 2/1999 | Hoening et al. | D24/110 |
| D406,428 | S * | 3/1999 | Pyle | D32/71 |
| 6,131,616 | A * | 10/2000 | Tatsuta et al. | 138/121 |

(Continued)

FOREIGN PATENT DOCUMENTS

JP 2002-361722 12/2002

OTHER PUBLICATIONS

Copending, Co-owned U.S. Appl. No. 29/255,940, filed Mar. 15, 2006.

Primary Examiner—Robert M. Spear
Assistant Examiner—Anna K. Dworzecka

(74) *Attorney, Agent, or Firm*—Wenderoth, Lind & Ponack, L.L.P.

(57) **CLAIM**

The ornamental design for a synthetic resin pipe, as shown and described.

DESCRIPTION

FIG. 1 is a front view of a synthetic resin pipe showing my new design;

FIG. 2 is an enlarged front view thereof;

FIG. 3 is an enlarged top plan view thereof;

FIG. 4 is a left side view thereof;

FIG. 5 is a right side view thereof;

FIG. 6 is a cross sectional view taken along line 6—6 of FIGS. 2 and 4;

FIG. 7 is a cross sectional view taken along line 7—7 of FIG. 4;

FIG. 8 is a cross sectional view taken along line 8—8 of FIG. 2;

FIG. 9 is a cross sectional view taken along line 9—9 of FIG. 2;

FIG. 10 is a right side perspective view of the synthetic resin pipe showing my new design; and,

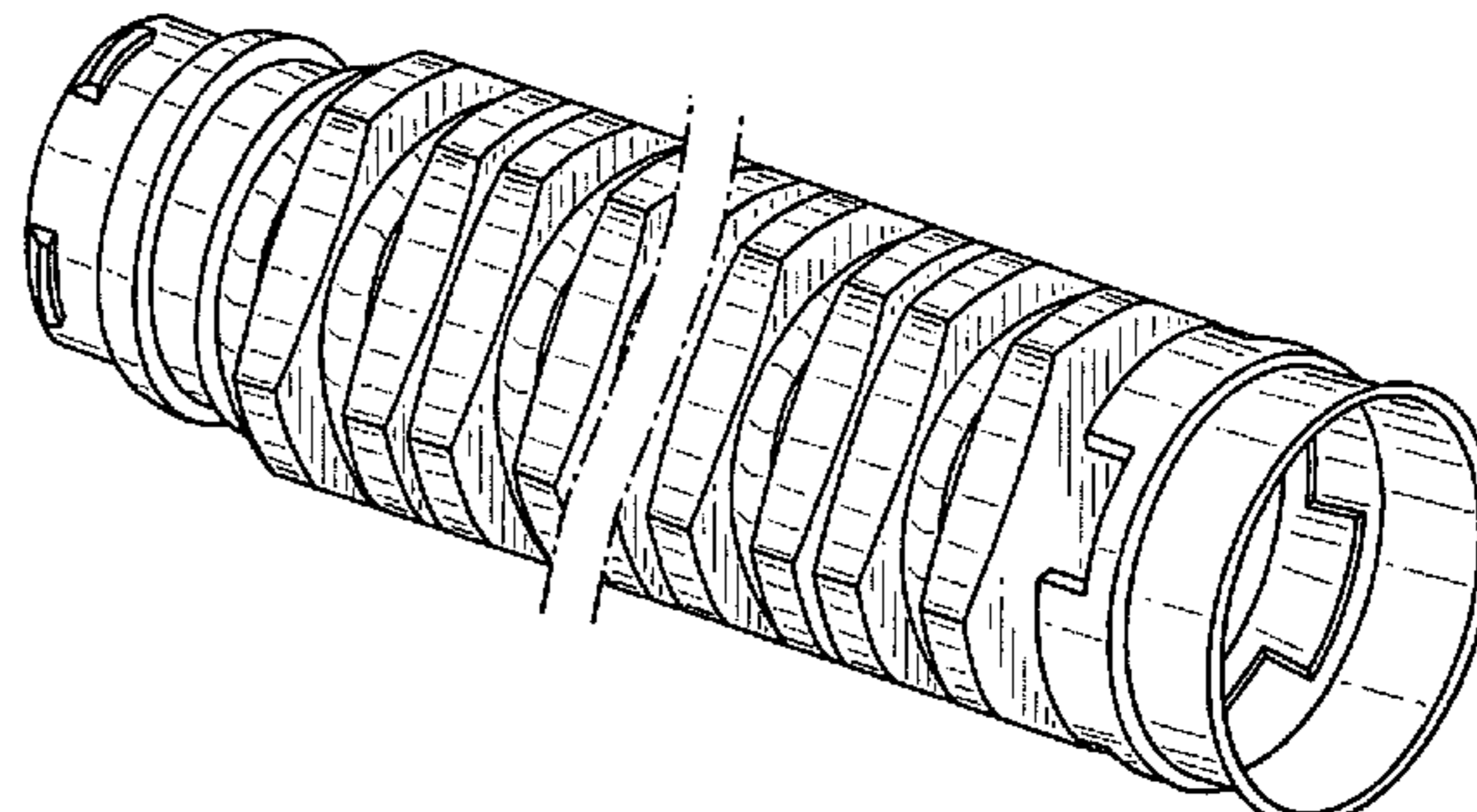
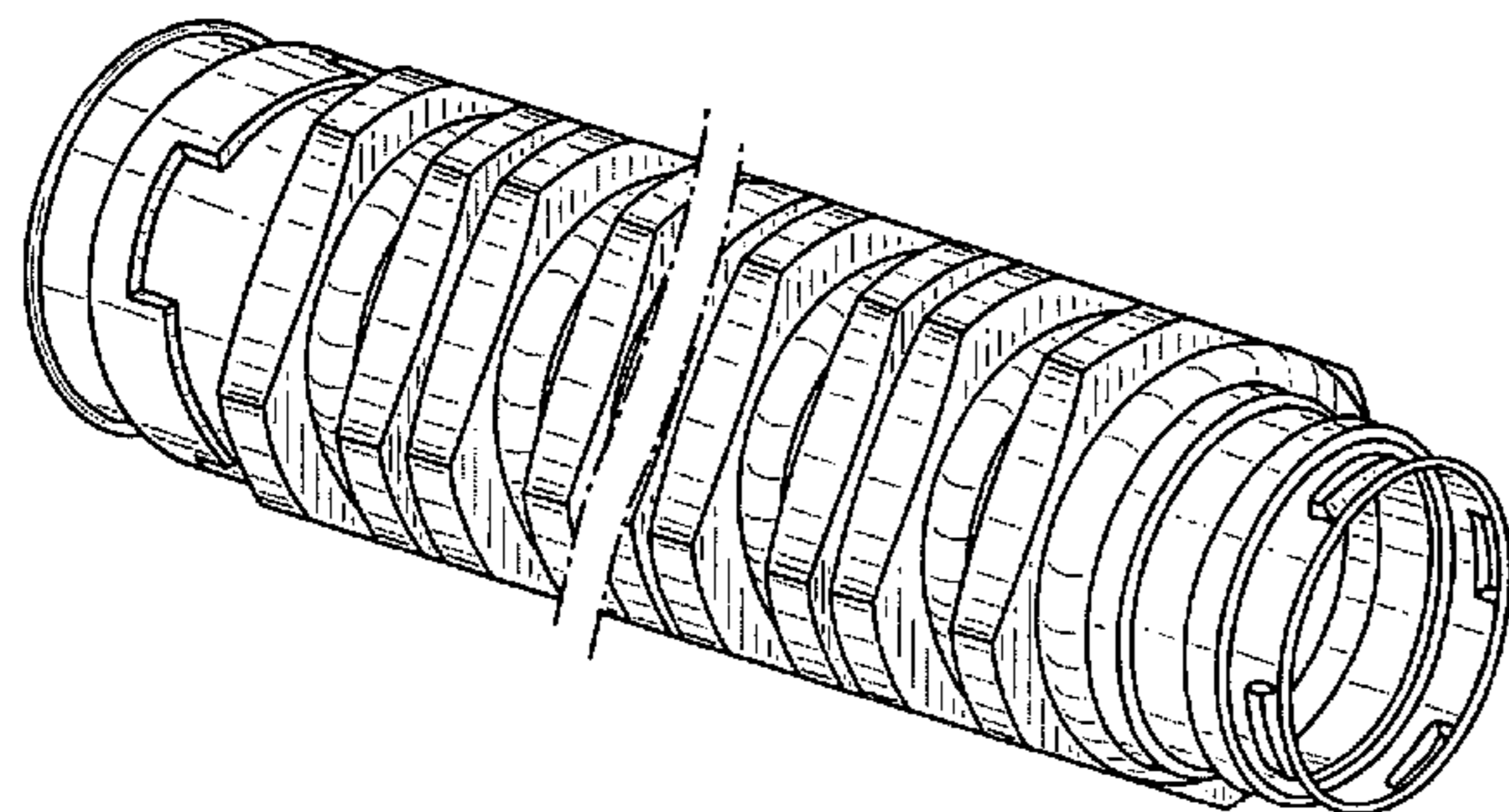
FIG. 11 is a left side perspective view thereof.

A rear view is omitted since it is a mirror image of the front view.

A bottom plan view is omitted since it is a mirror image of the top plan view.

Each of the views of FIGS. 1–3, 6, 7, 10 and 11 includes separation lines to indicate that, for ease of illustration, the precise length of the synthetic resin pipe is not claimed. Portions omitted from between the separation lines continue sequentially in the same pattern as established in FIG. 1 between the two sets of separation lines.

1 Claim, 5 Drawing Sheets



US D566,064 S

Page 2

U.S. PATENT DOCUMENTS

| | | | | | | | |
|----------------|--------|-----------------|---------|------------------|---------|----------------------|---------|
| D447,792 S * | 9/2001 | Renaud | D23/266 | 2004/0256018 A1* | 12/2004 | Ikemoto et al. | 138/126 |
| 6,338,507 B1 * | 1/2002 | Amatsutsu | 285/321 | 2006/0162799 A1* | 7/2006 | Goddard | 138/121 |
| D484,953 S * | 1/2004 | Renaud | D23/266 | 2006/0254663 A1* | 11/2006 | Renaud | 138/121 |
| D514,670 S * | 2/2006 | Handley | D23/267 | 2007/0051417 A1* | 3/2007 | Boettner et al. | 138/121 |

* cited by examiner

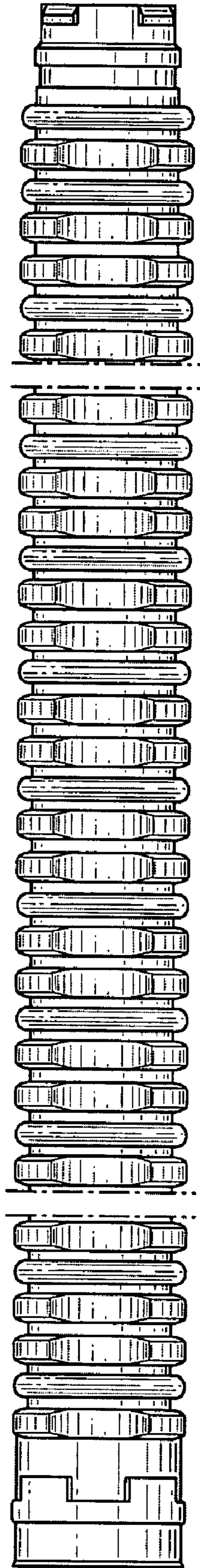


FIG. 1

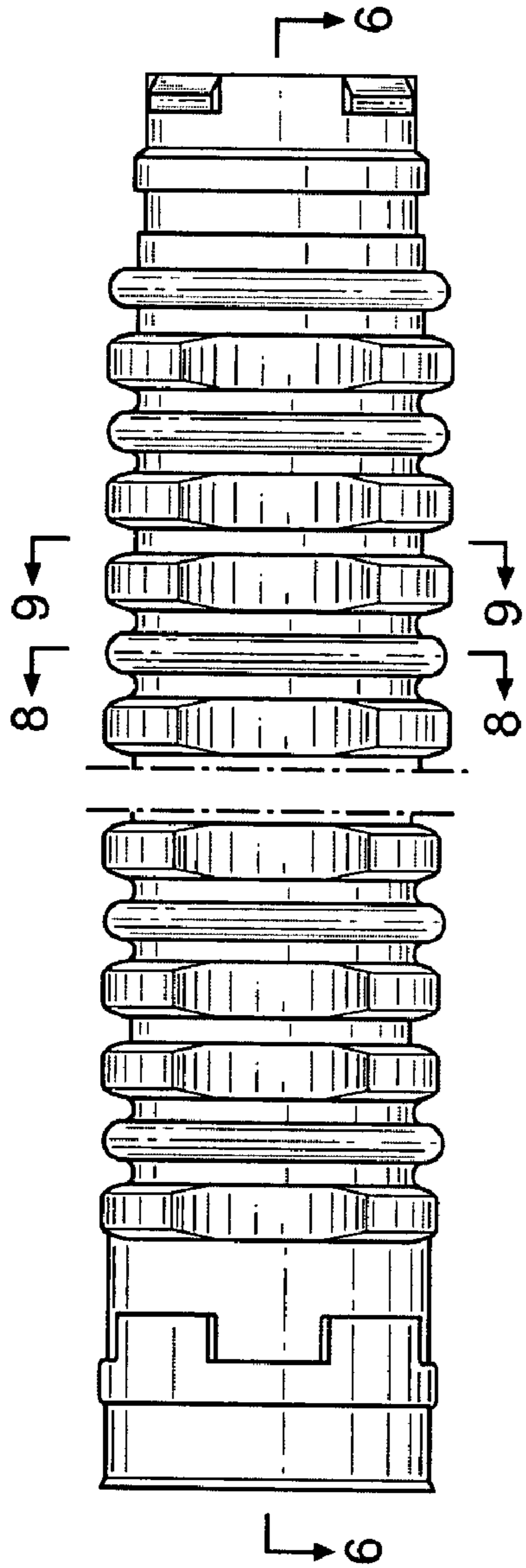


FIG. 2

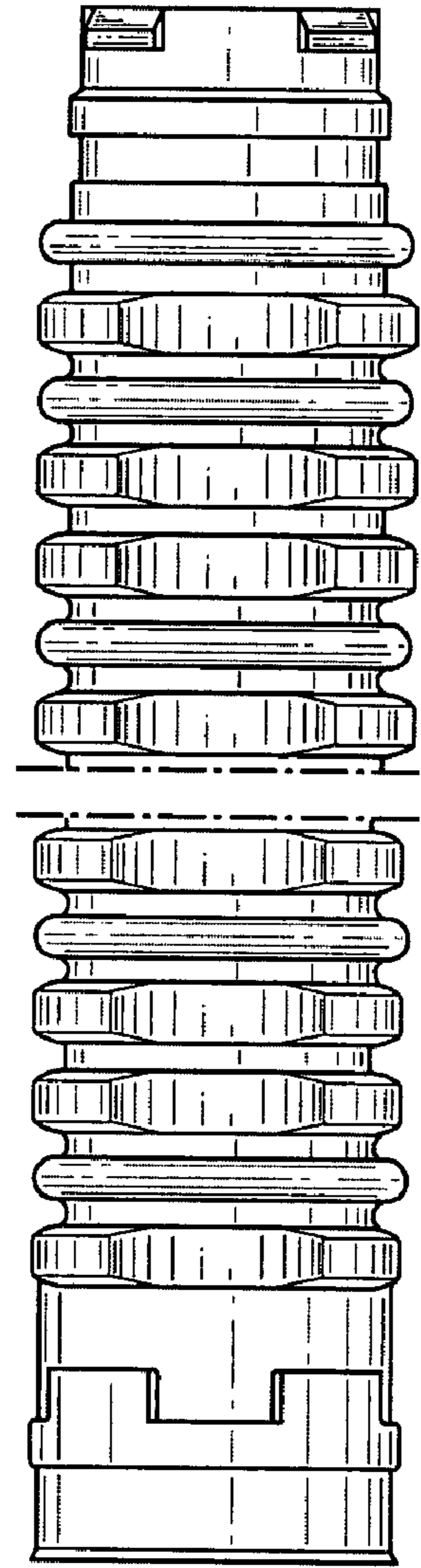


FIG. 3

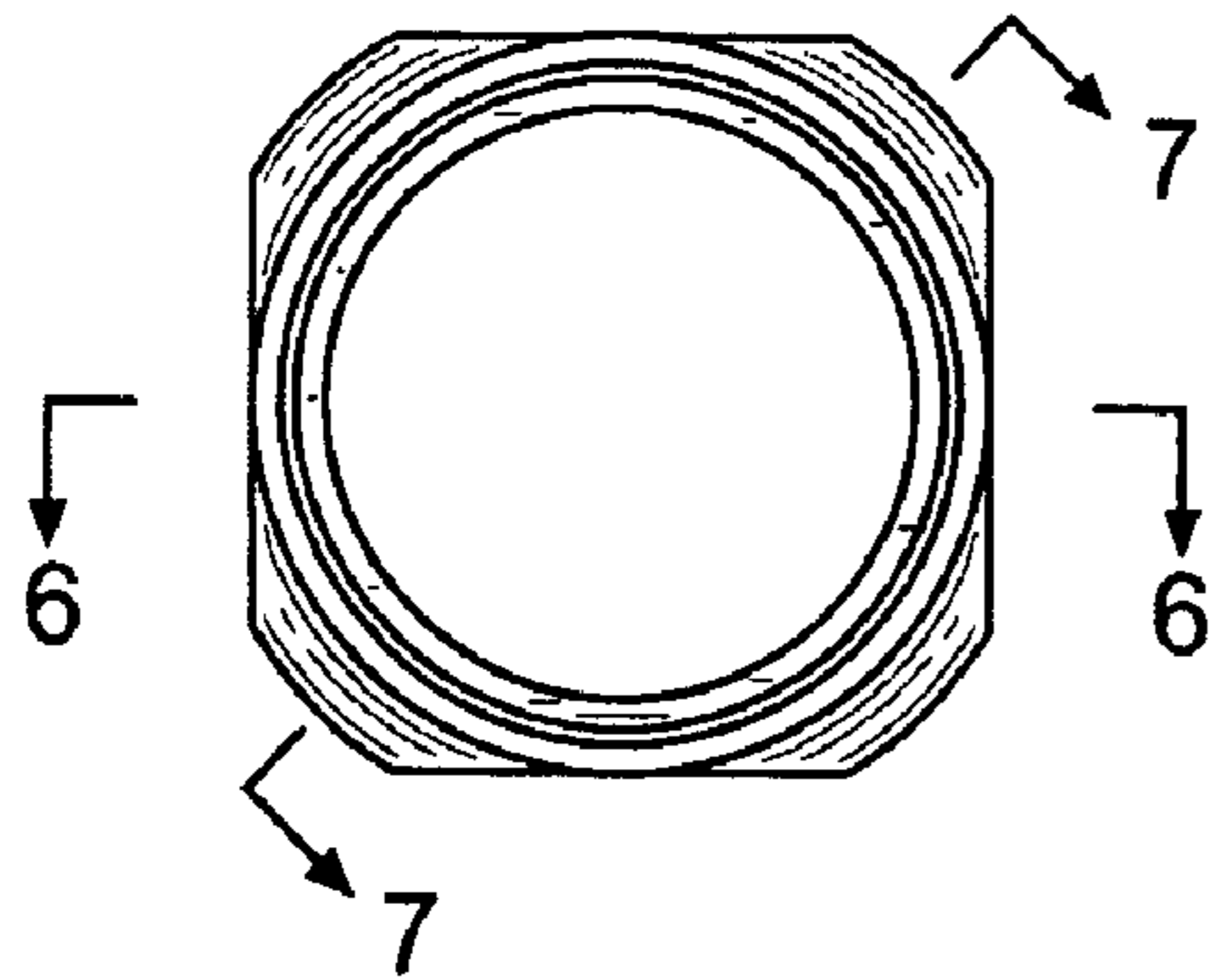


FIG. 4

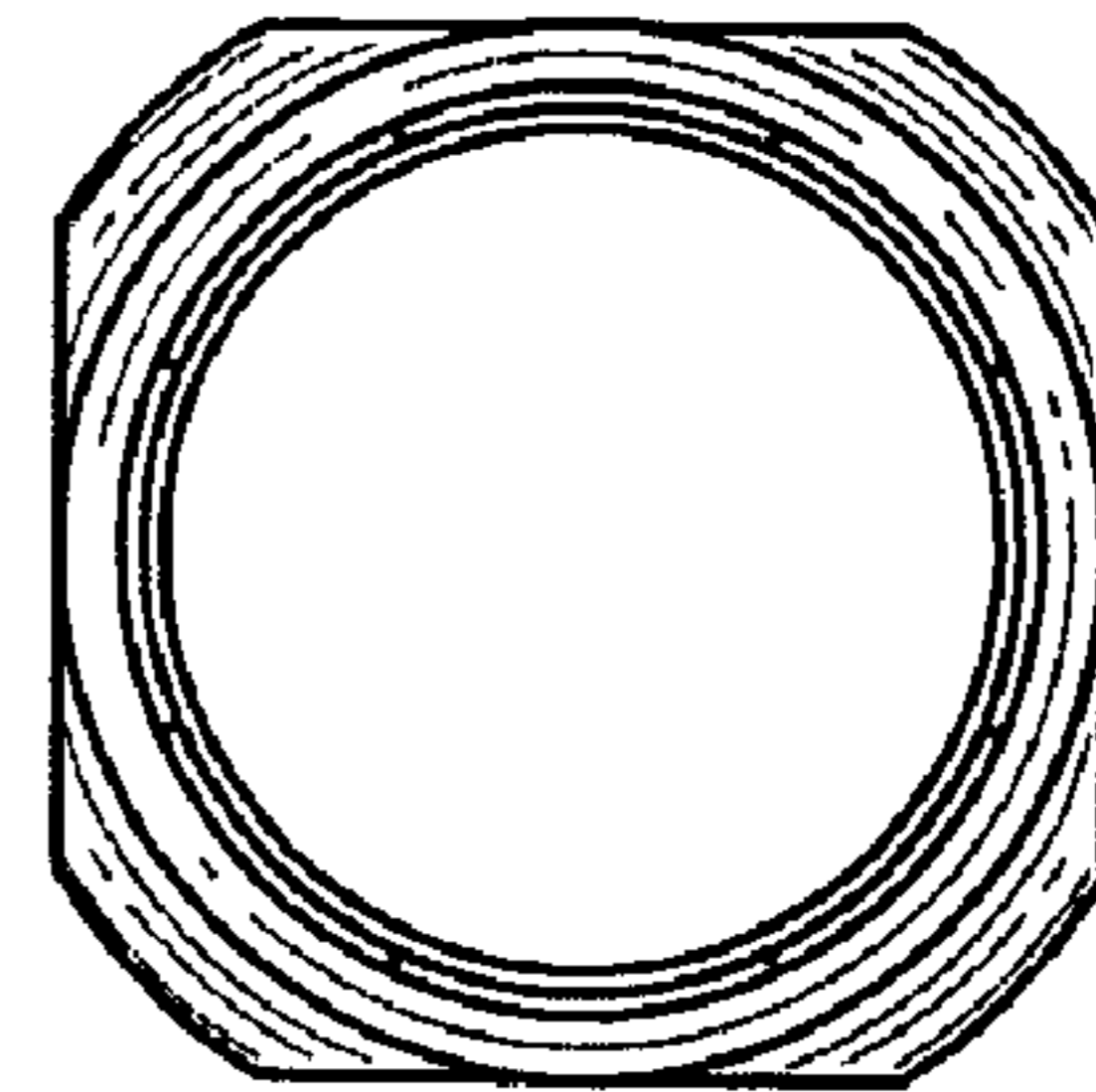


FIG. 5

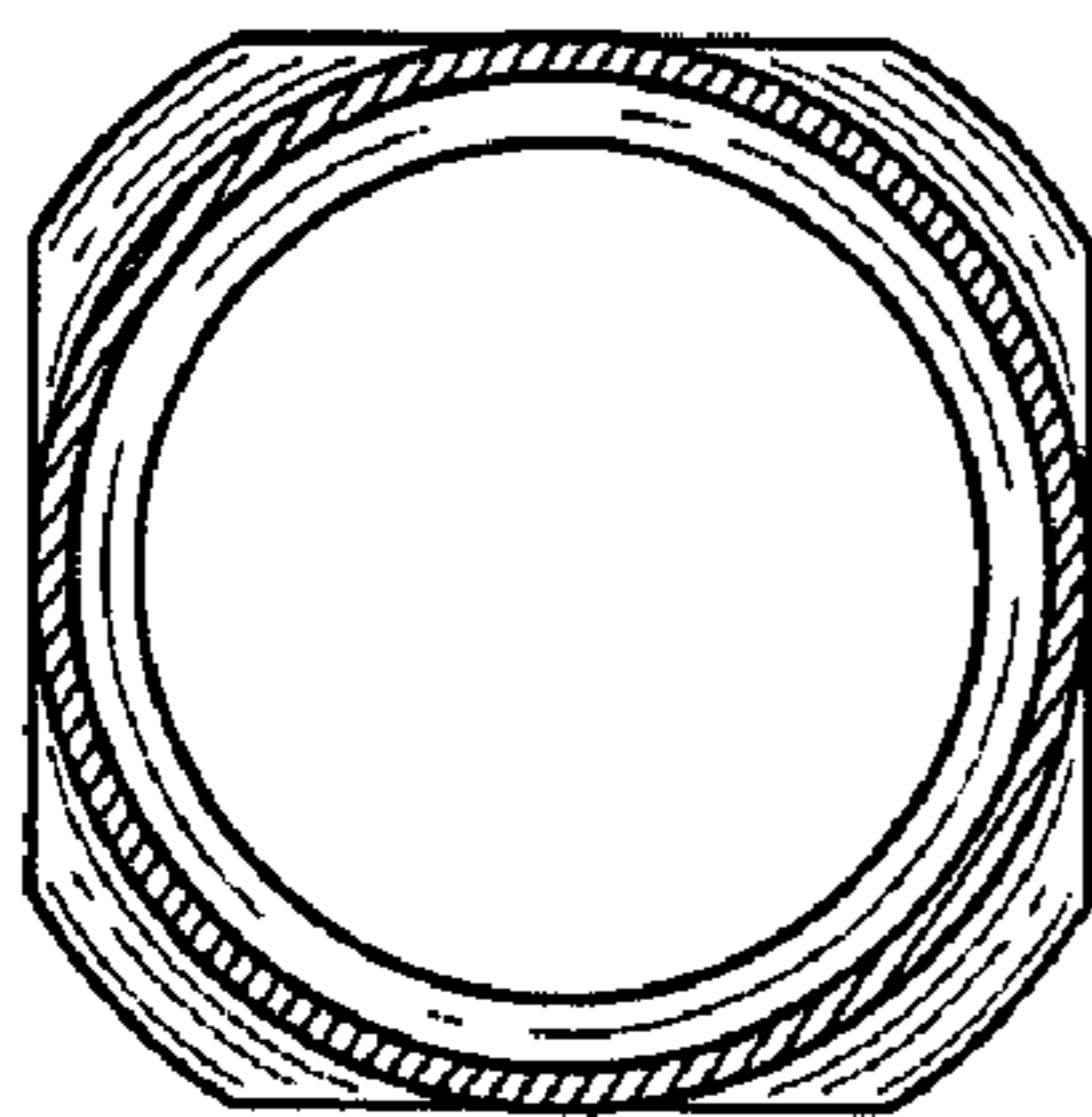


FIG. 8

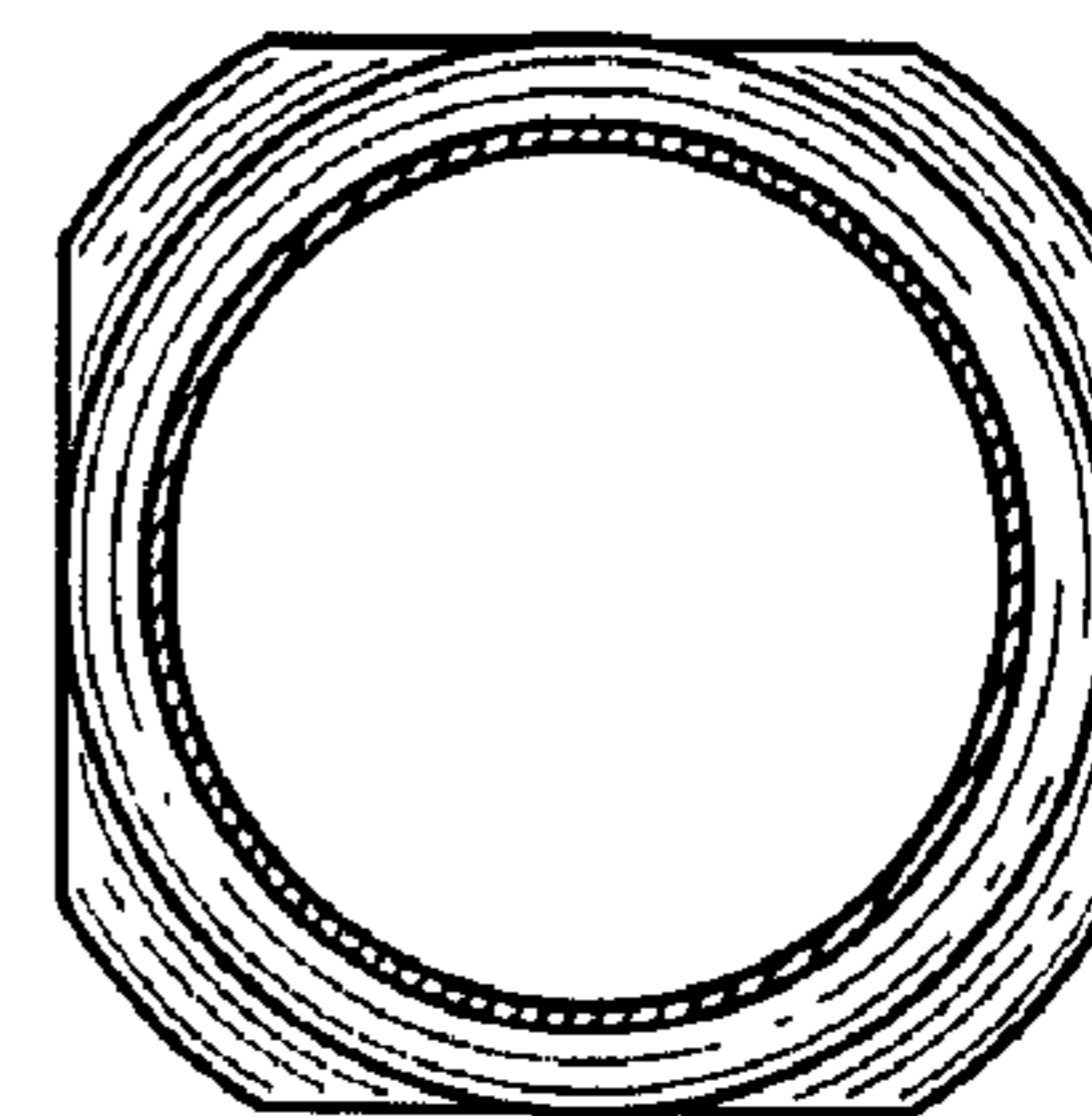


FIG. 9

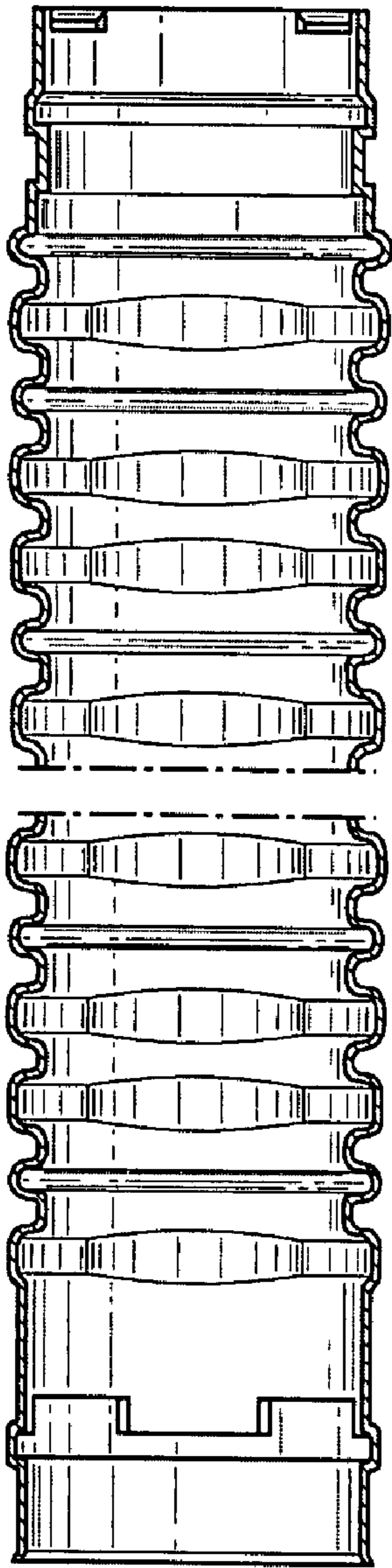


FIG. 6

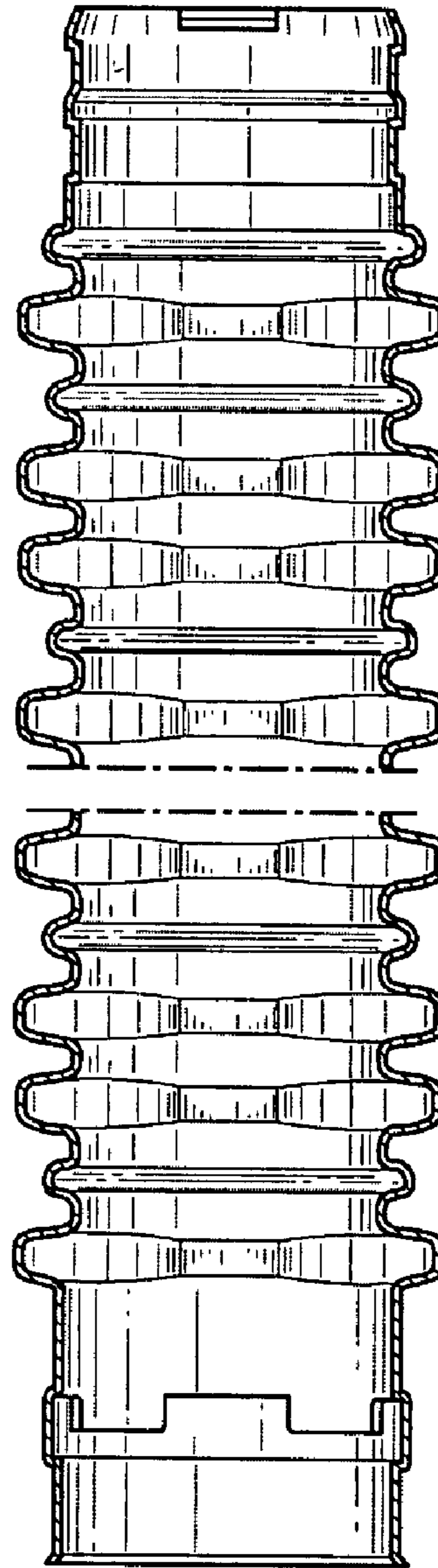


FIG. 7

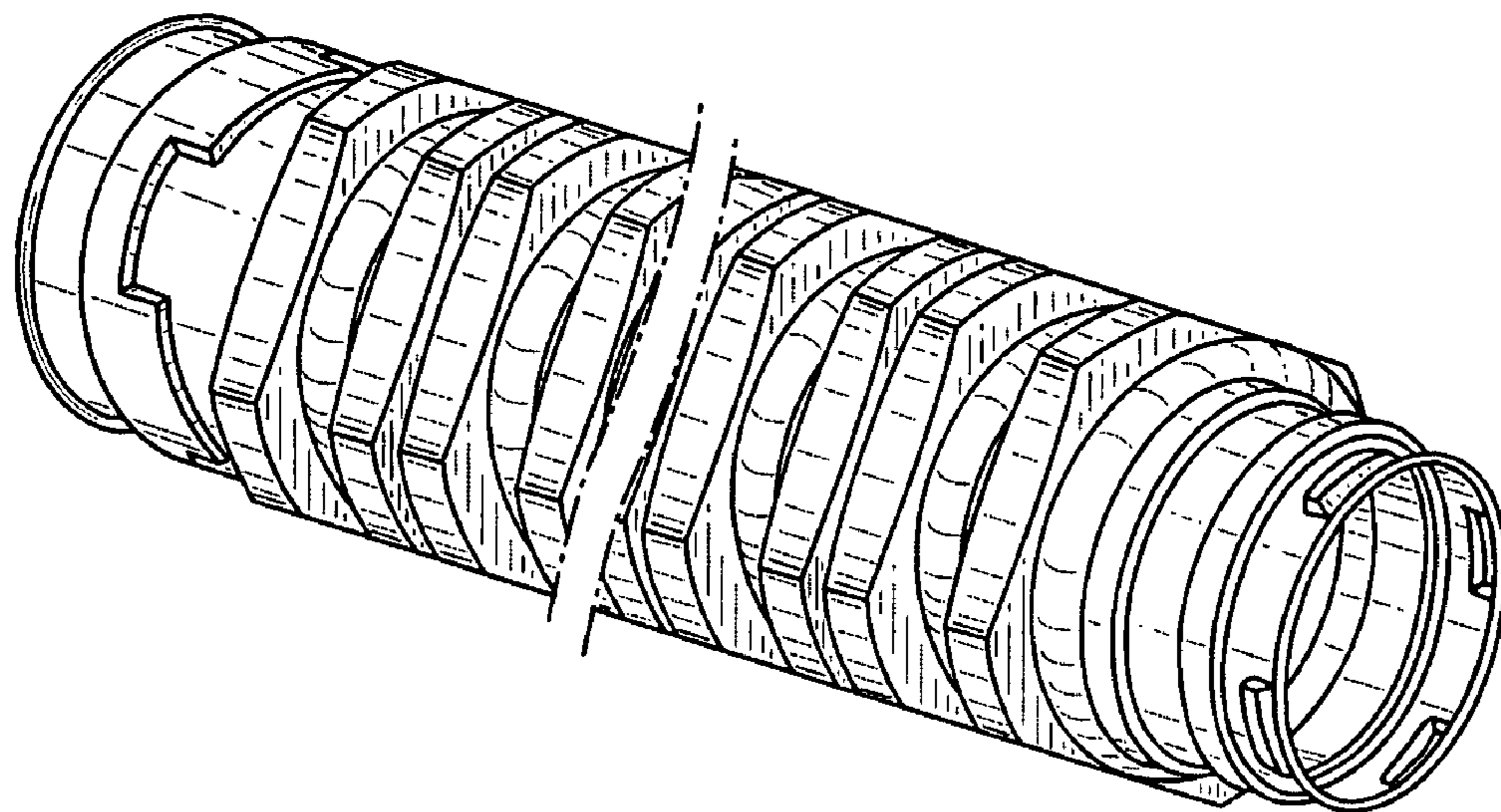


FIG. 10

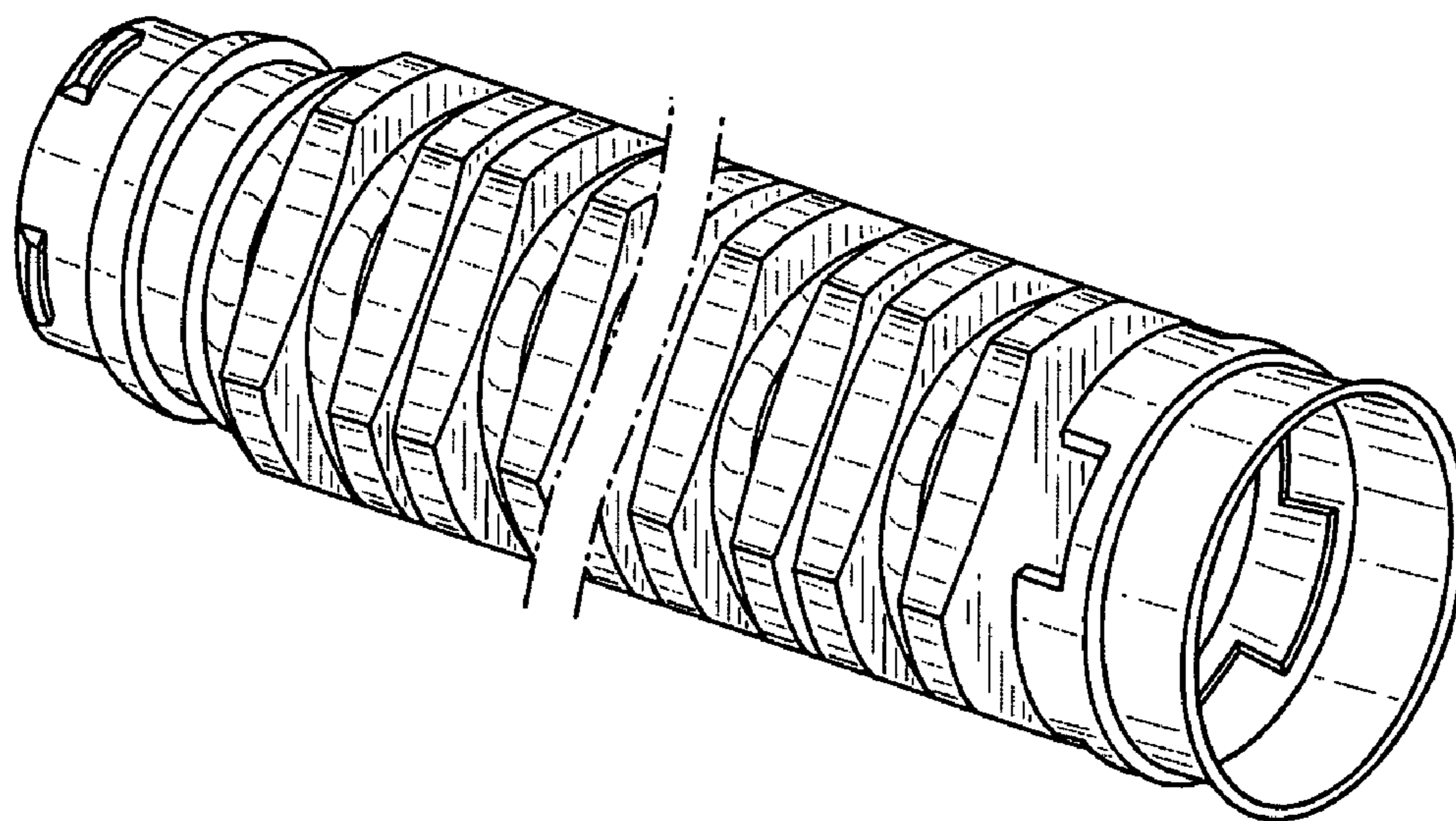


FIG. 11