



US00D566063S

(12) **United States Design Patent**
Kanao

(10) **Patent No.:** **US D566,063 S**
(45) **Date of Patent:** **** *Apr. 8, 2008**

(54) **SYNTHETIC RESIN PIPE**

(75) Inventor: **Shigeki Kanao**, Osaka (JP)

(73) Assignee: **Kanaflex Corporation**, Osaka (JP)

(*) Notice: This patent is subject to a terminal disclaimer.

(**) Term: **14 Years**

(21) Appl. No.: **29/255,940**

(22) Filed: **Mar. 15, 2006**

(30) **Foreign Application Priority Data**

Sep. 22, 2005 (JP) 2005-027444

(51) **LOC (8) Cl.** **13-99**

(52) **U.S. Cl.** **D13/199; D23/266**

(58) **Field of Classification Search** D23/266;
138/121, 122, 173, 133, 129; D25/199; D13/199,
D13/155, 129

See application file for complete search history.

(56) **References Cited**

U.S. PATENT DOCUMENTS

3,926,222	A *	12/1975	Shroy et al.	138/122
D307,174	S *	4/1990	Bjorkman et al.	D23/266
D356,858	S *	3/1995	Folkman	D23/266
RE35,820	E *	6/1998	Guginsky	174/102 R
D399,828	S *	10/1998	Eidsvig	D13/156
5,823,817	A *	10/1998	Pyle	439/447

(Continued)

FOREIGN PATENT DOCUMENTS

JP 2002-361722 12/2002

OTHER PUBLICATIONS

Copending, Co-owned U.S. Appl. No. 29/255,941, filed Mar. 15, 2006.

Primary Examiner—Robert M. Spear
Assistant Examiner—Anna K. Dworzecka
(74) *Attorney, Agent, or Firm*—Wenderoth, Lind & Ponack, L.L.P.

(57) **CLAIM**

The ornamental design for a synthetic resin pipe, as shown and described.

DESCRIPTION

FIG. 1 is a front view of a synthetic resin pipe showing my new design;

FIG. 2 is an enlarged front view thereof;

FIG. 3 is an enlarged top plan view thereof;

FIG. 4 is a left side view thereof;

FIG. 5 is a right side view thereof;

FIG. 6 is a cross sectional view taken along line 6—6 of FIGS. 2 and 4;

FIG. 7 is a cross sectional view taken along line 7—7 of FIG. 4;

FIG. 8 is a cross sectional view taken along line 8—8 of FIG. 2;

FIG. 9 is a cross sectional view taken along line 9—9 of FIG. 2;

FIG. 10 is a right side perspective view of the synthetic resin pipe showing my new design; and,

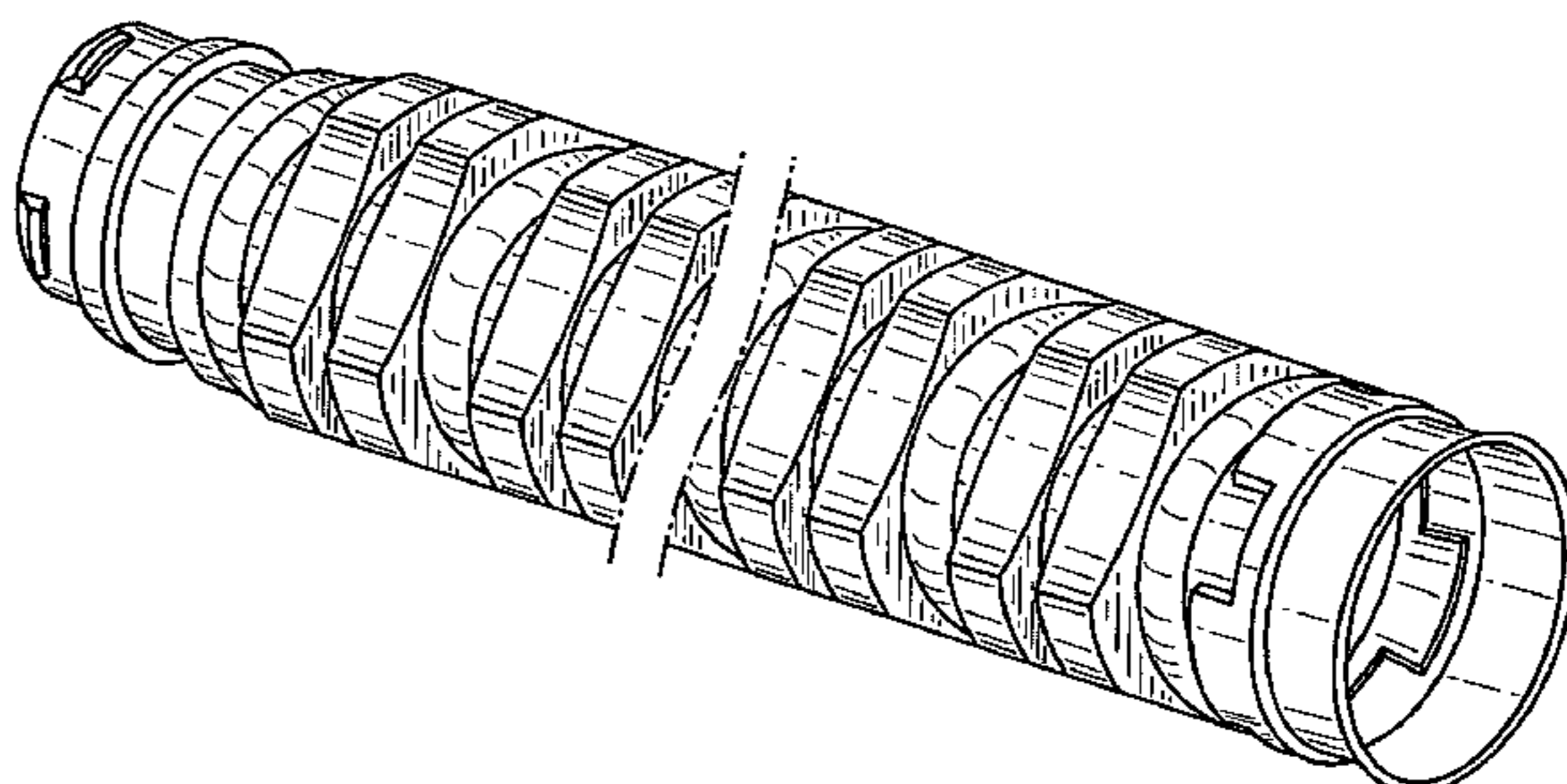
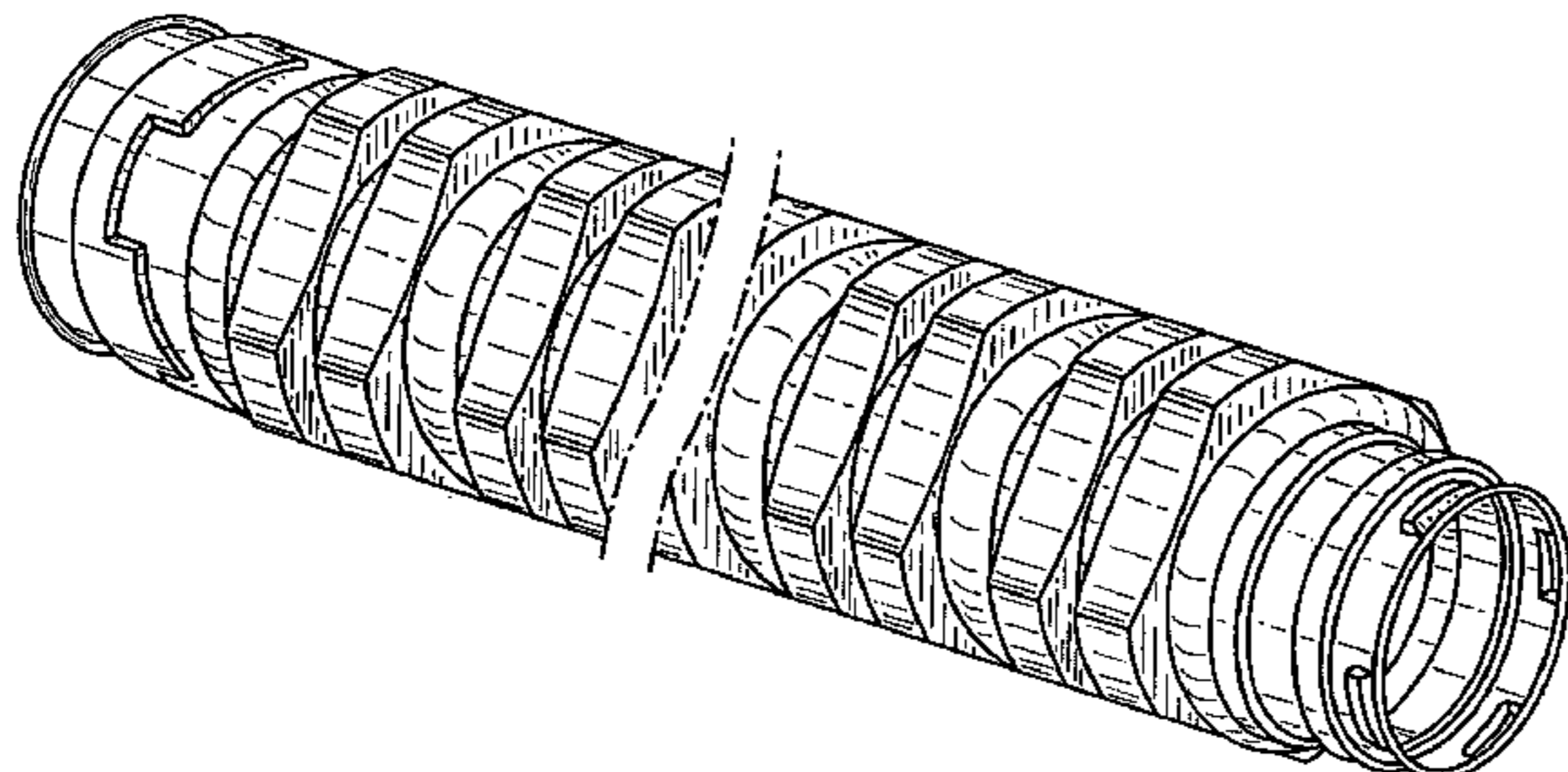
FIG. 11 is a left side perspective view thereof.

A rear view is omitted since it is a mirror image of the front view.

A bottom plan view is omitted since it is a mirror image of the top plan view.

Each of the views of FIGS. 1–3, 6, 7, 10 and 11 includes separation lines to indicate that, for ease of illustration, the precise length of the synthetic resin pipe is not claimed. Portions omitted from between the separation lines continue sequentially in the same pattern as established in FIG. 1 between the two sets of separation lines.

1 Claim, 5 Drawing Sheets



US D566,063 S

Page 2

U.S. PATENT DOCUMENTS

D405,522 S *	2/1999	Hoenig et al.	D24/110	D514,670 S *	2/2006	Handley	D23/267
D406,428 S *	3/1999	Pyle	D32/71	2004/0256018 A1 *	12/2004	Ikemoto et al.	138/126
6,131,616 A *	10/2000	Tatsuta et al.	138/121	2006/0162799 A1 *	7/2006	Goddard	138/121
D447,792 S *	9/2001	Renaud	D23/266	2006/0254663 A1 *	11/2006	Renaud	138/121
6,338,507 B1 *	1/2002	Amatsutsu	285/321	2007/0051417 A1 *	3/2007	Boettner et al.	138/121
D484,953 S *	1/2004	Renaud	D23/266				

* cited by examiner

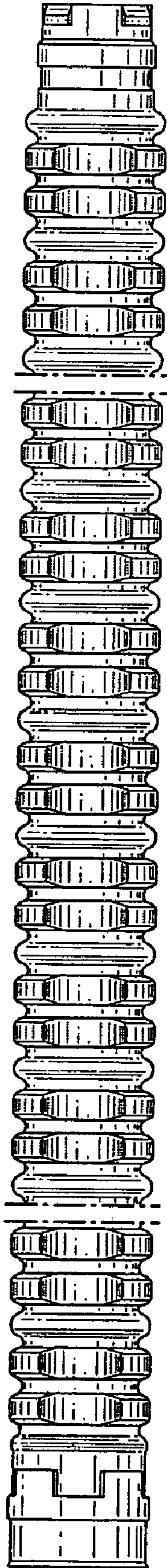


FIG. 1

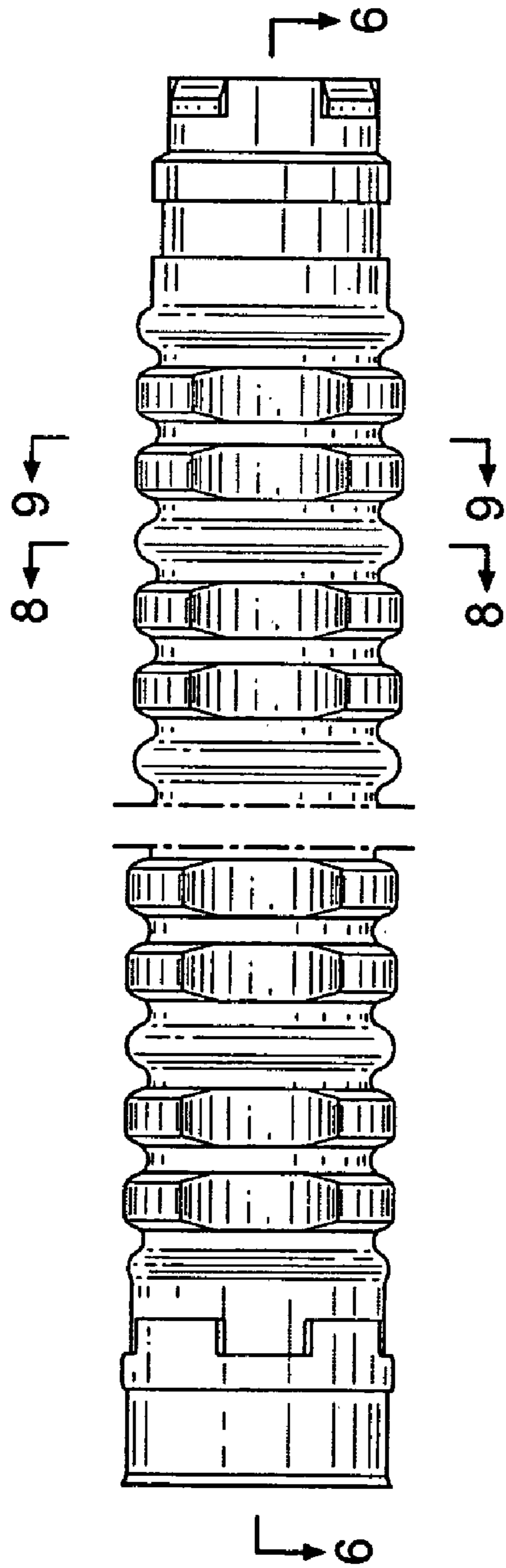


FIG. 2

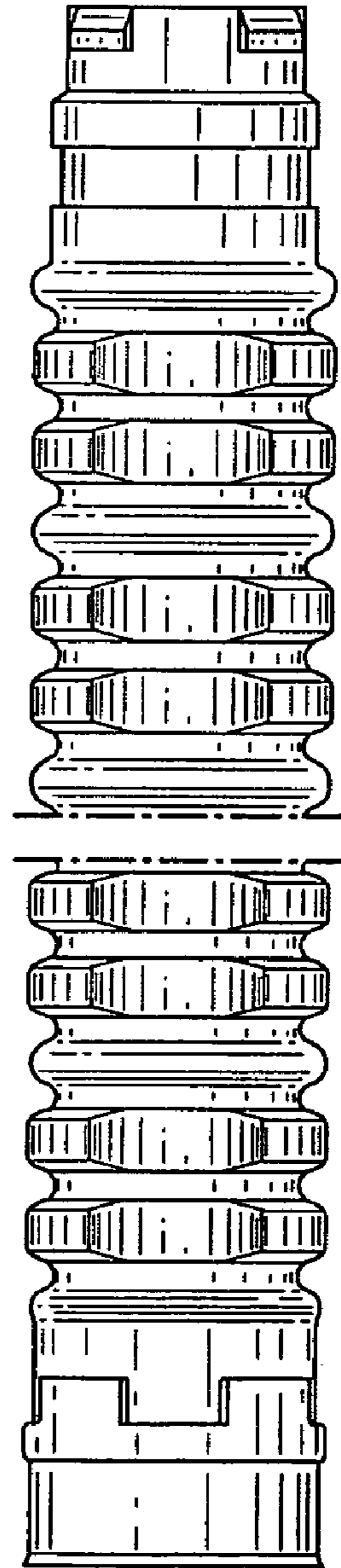


FIG. 3

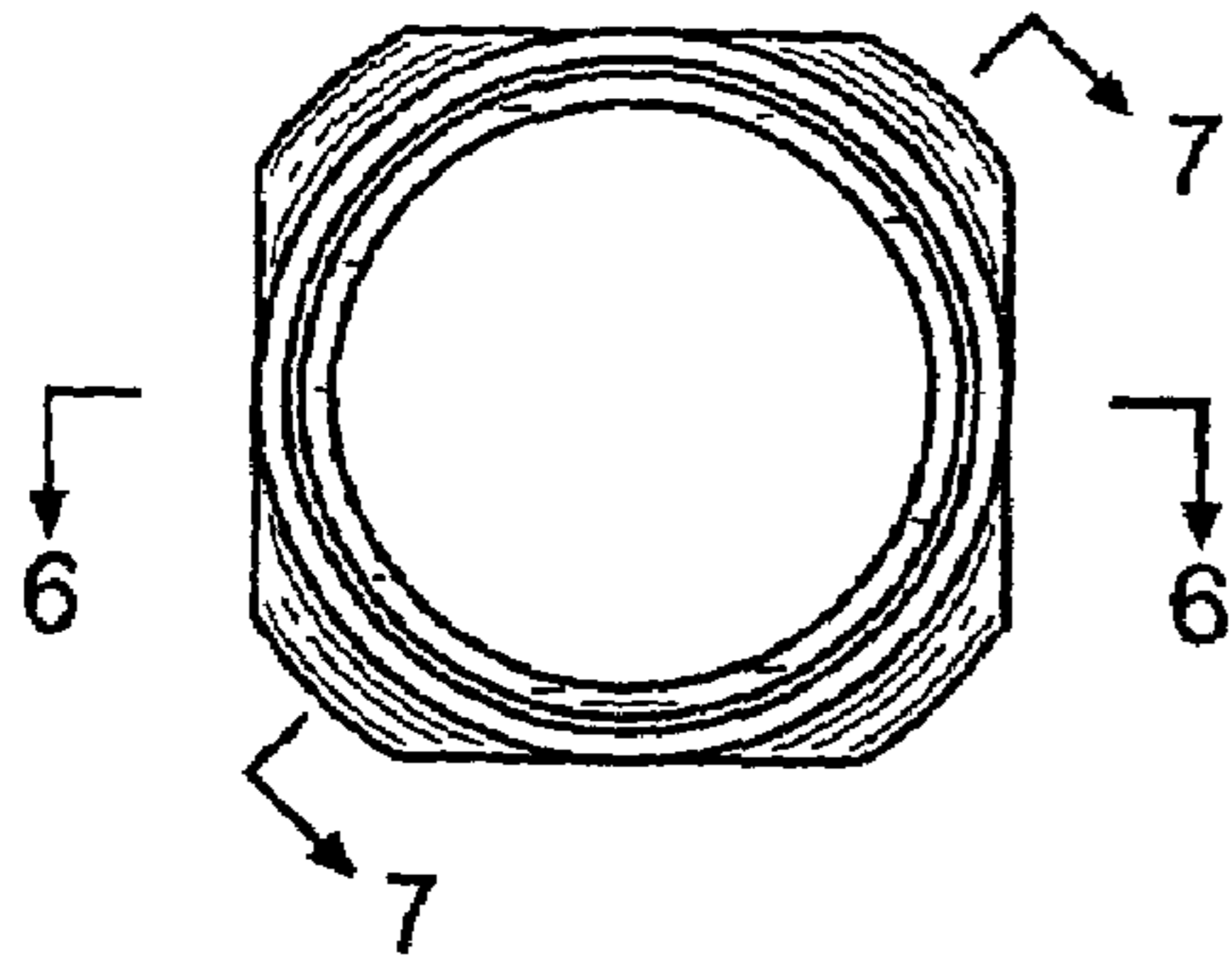


FIG. 4

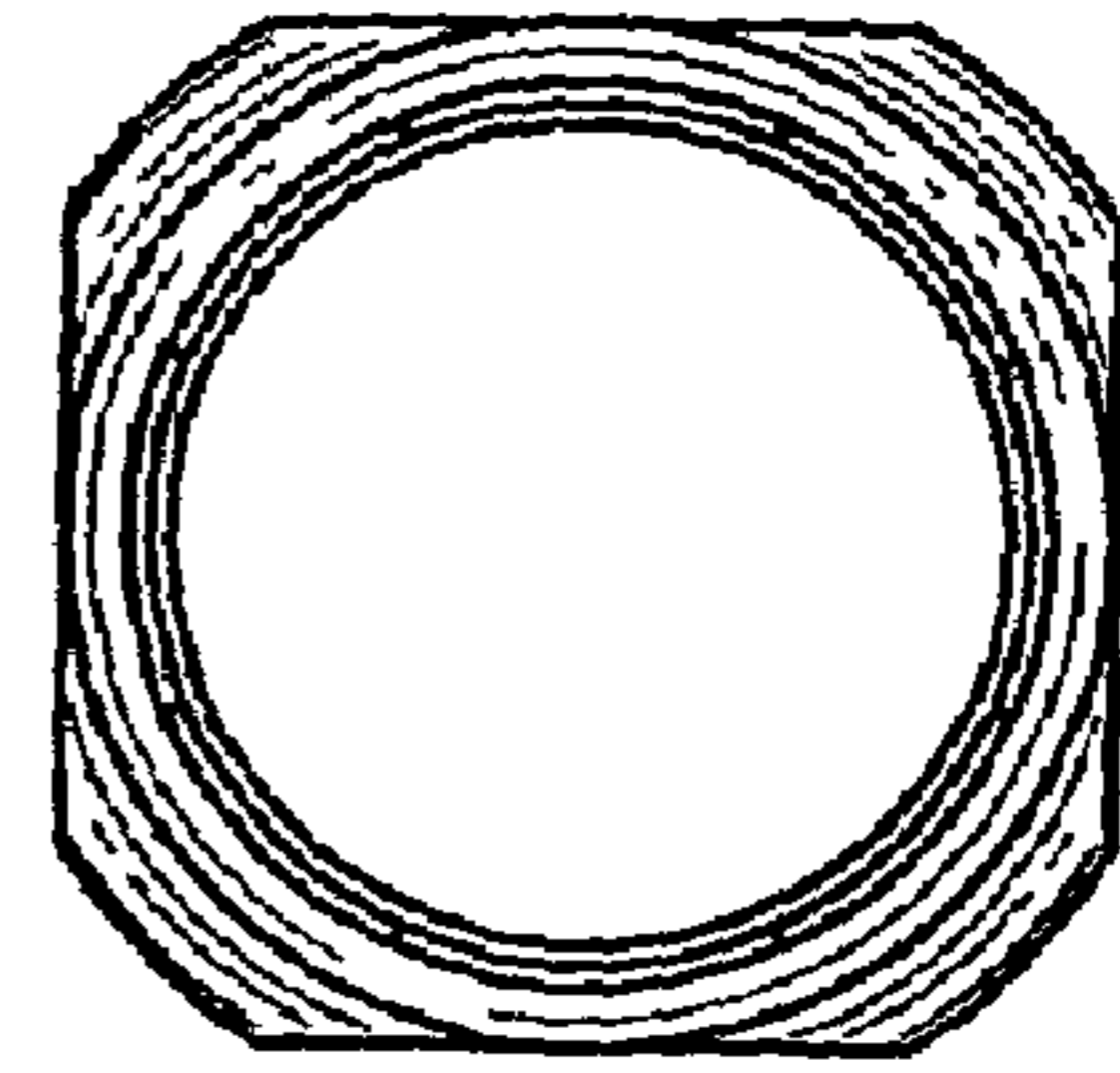


FIG. 5

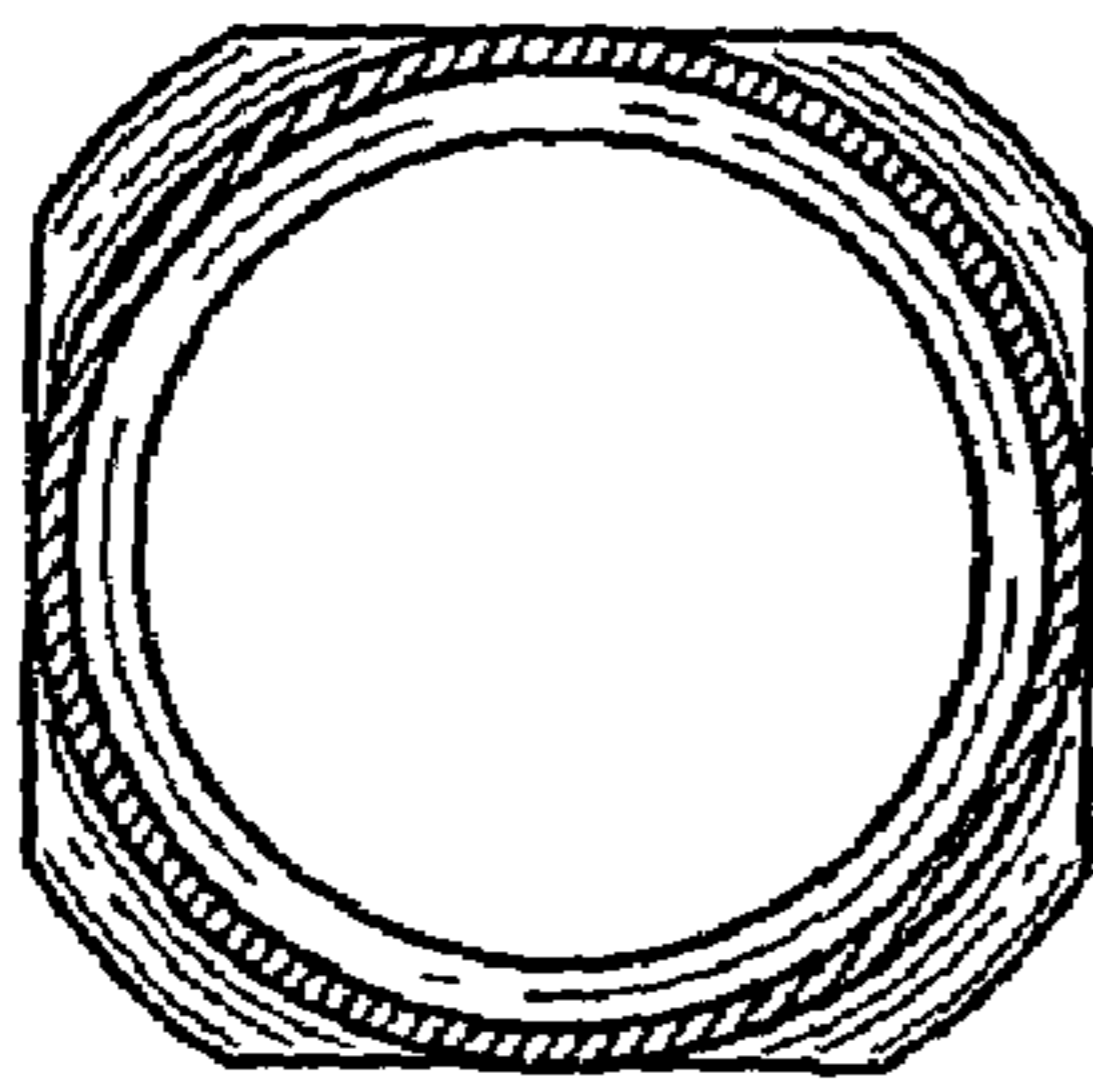


FIG. 8

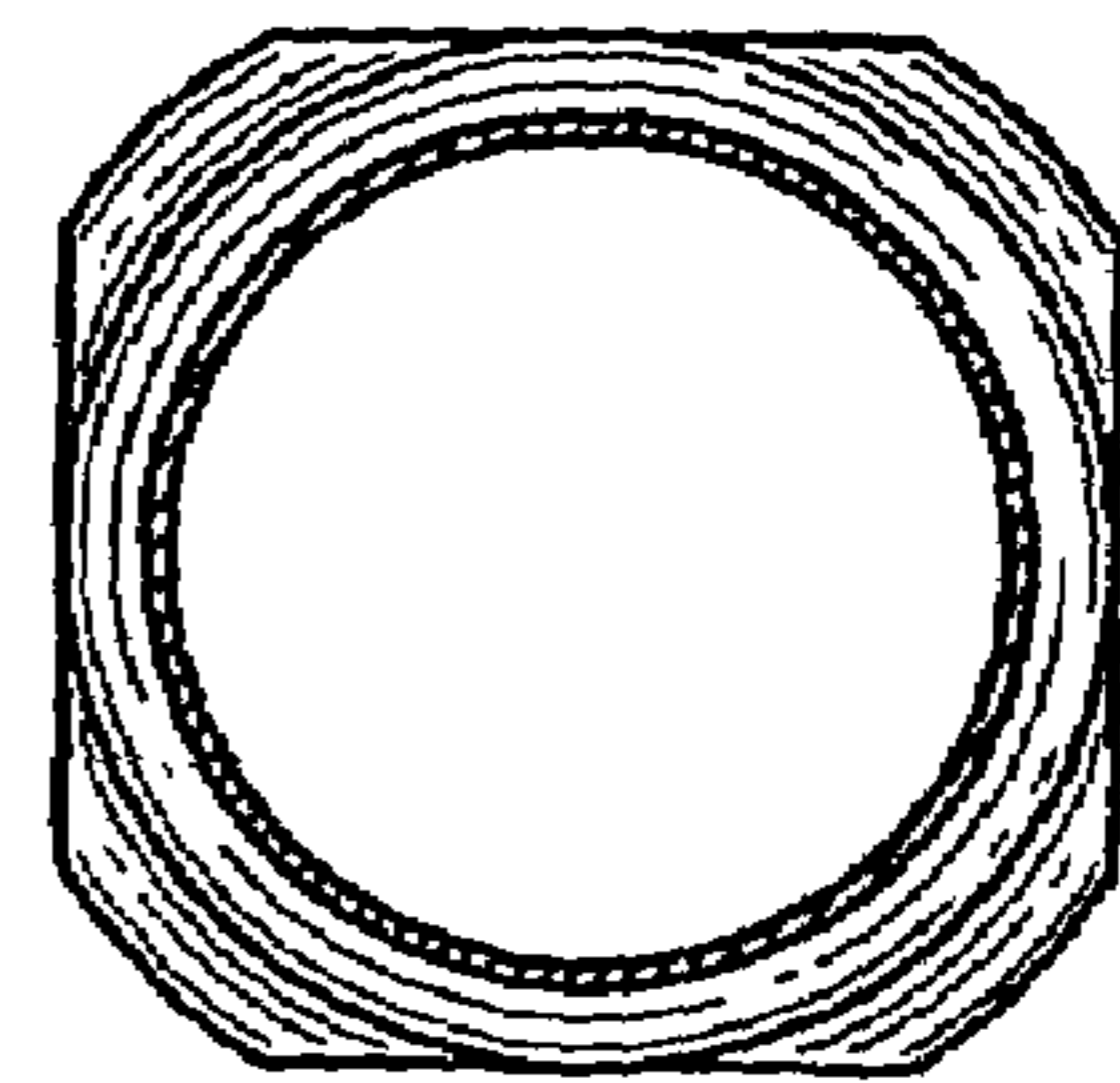


FIG. 9

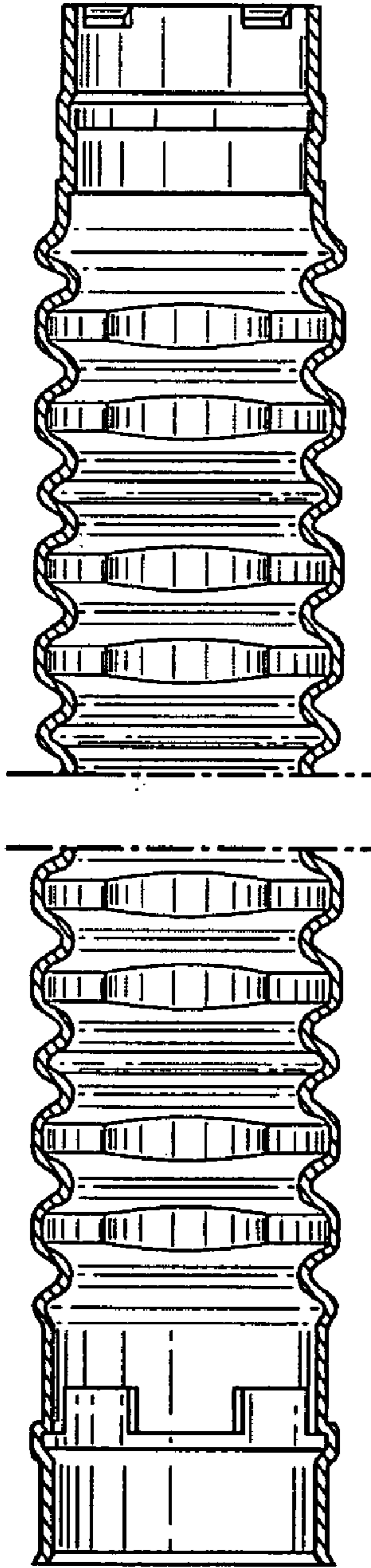


FIG. 6

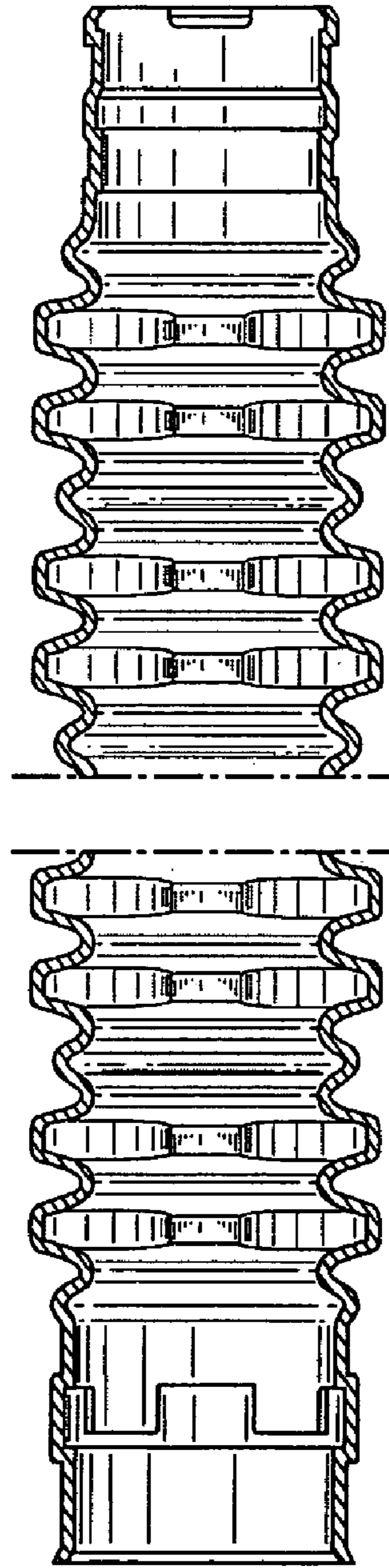


FIG. 7

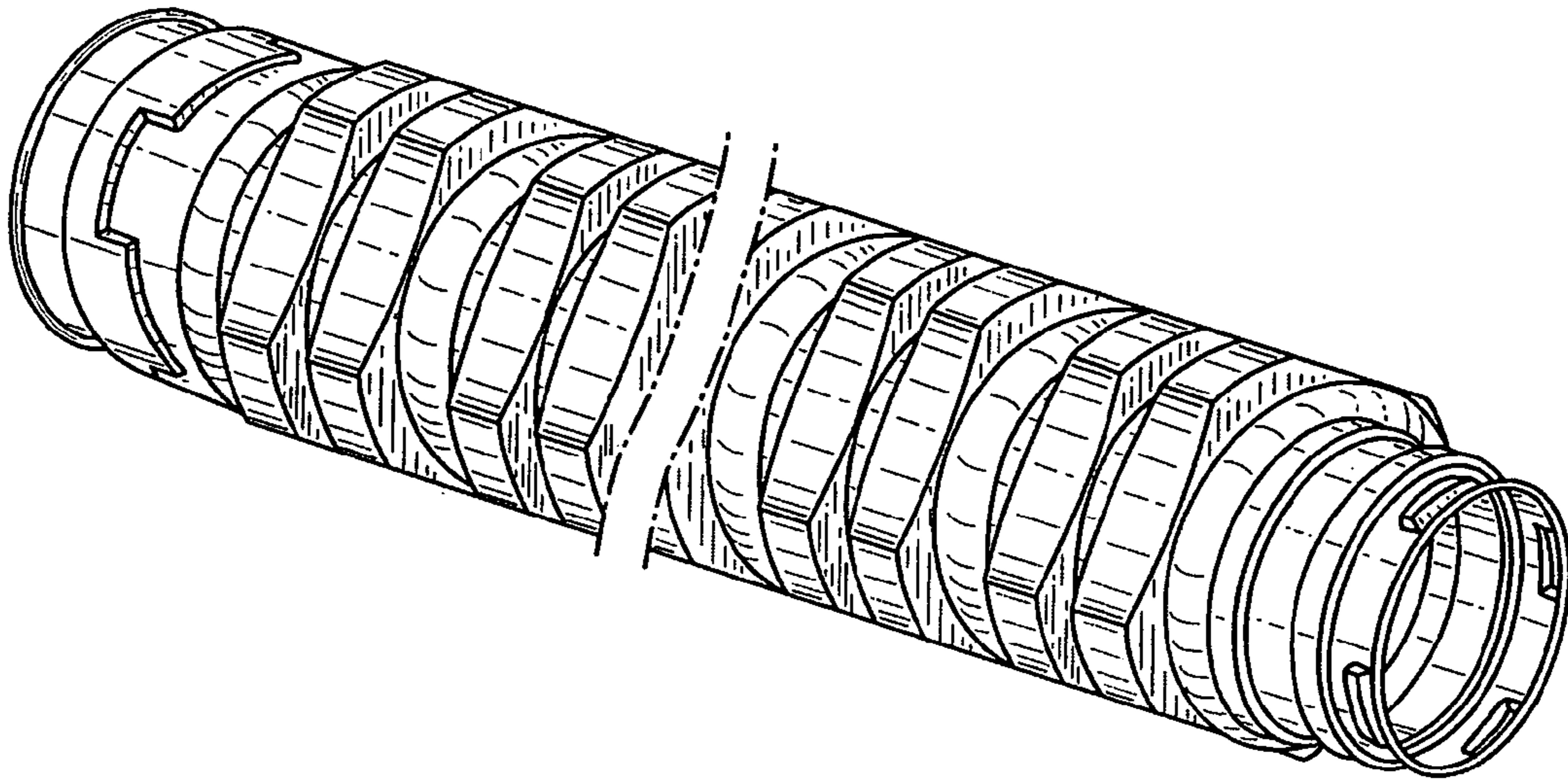


FIG. 10

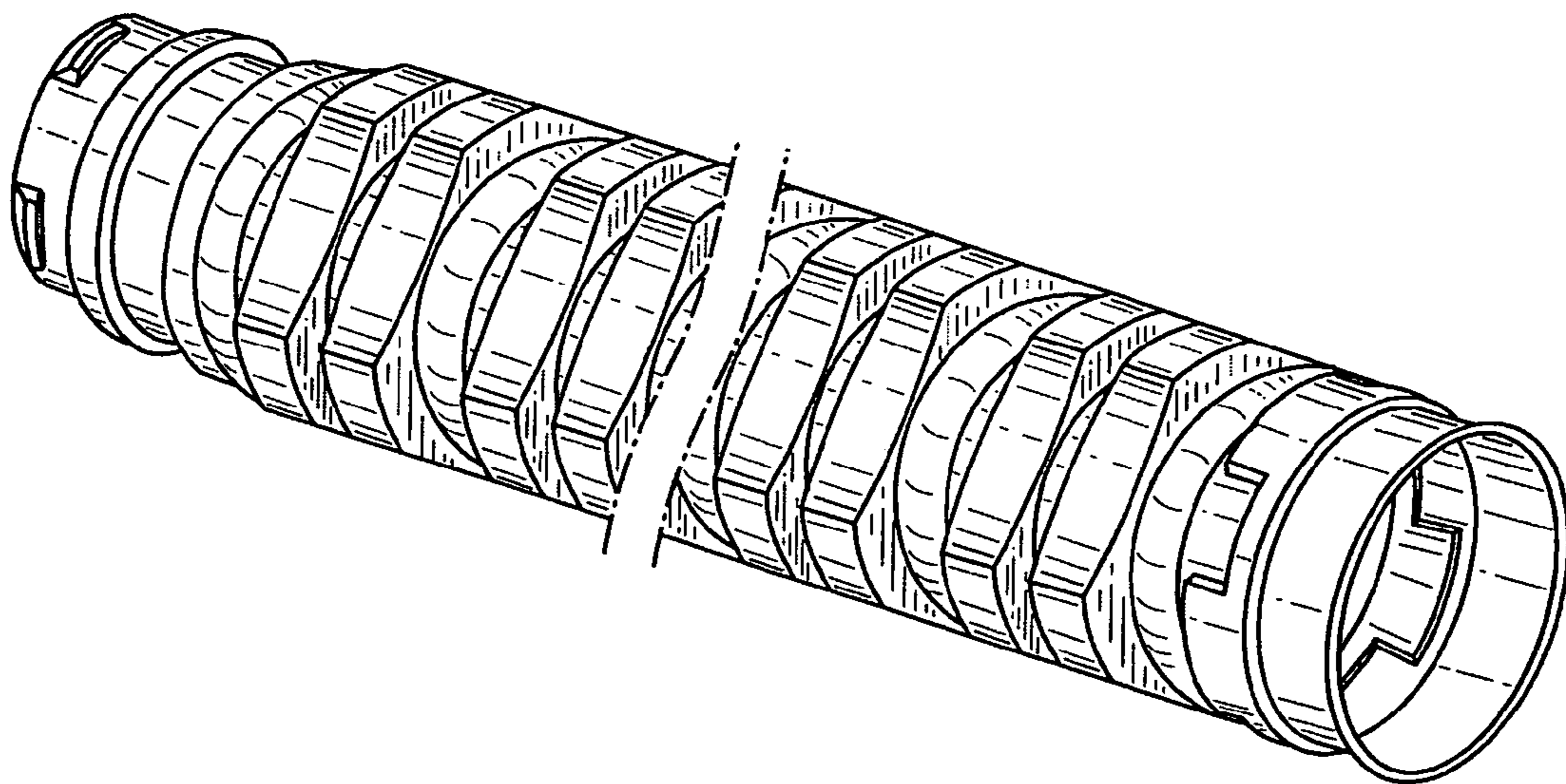


FIG. 11