

US00D566061S

(12) **United States Design Patent**  
**Johnson**

(10) **Patent No.:** **US D566,061 S**

(45) **Date of Patent:** **\*\* \*Apr. 8, 2008**

(54) **MAGNETIC HOLDER FOR A TOOL**

(76) Inventor: **Steven Johnson**, 56795 Aberdeen Dr.,  
Shelby Township, MI (US) 48316

(\*) Notice: This patent is subject to a terminal disclaimer.

(\*\*) Term: **14 Years**

(21) Appl. No.: **29/247,500**

(22) Filed: **Jun. 22, 2006**

(51) **LOC (8) Cl.** ..... **13-99**

(52) **U.S. Cl.** ..... **D13/183; D8/70**

(58) **Field of Classification Search** ..... D8/70,  
D8/81, 82, 87, 104, 107, 499, 61; D13/183;  
D12/187; D11/200-231; 81/125; 206/379;  
224/183; 468/238; 446/129; 211/70.6  
See application file for complete search history.

(56) **References Cited**

**U.S. PATENT DOCUMENTS**

3,228,720	A	1/1966	Jordan	
D314,556	S *	2/1991	Aggson	..... D13/173
5,056,661	A	10/1991	Balzano	
5,544,747	A	8/1996	Horn	
D396,177	S *	7/1998	Schultz	..... D8/68
6,005,308	A *	12/1999	Bryde et al.	..... 307/157
6,401,253	B2	6/2002	Brunson	

6,496,094	B2	12/2002	May, III	
6,779,199	B1 *	8/2004	O'Dea et al.	..... 2/161.6
6,910,578	B2	6/2005	Stern	
6,959,465	B1	11/2005	Foster	
D543,158	S *	5/2007	Blair et al.	..... D13/162
2007/0059114	A1 *	3/2007	Grimes, II	..... 408/238

**OTHER PUBLICATIONS**

Hold-It, Internet reference [4 pages], <http://www.bit-grip.com>.\*

\* cited by examiner

*Primary Examiner*—Joel A. Sincavage

*Assistant Examiner*—Anna K Dworzecka

(74) *Attorney, Agent, or Firm*—Howard & Howard  
Attorneys, P.C.

(57) **CLAIM**

The ornamental design for a magnetic holder for a tool, as shown and described.

**DESCRIPTION**

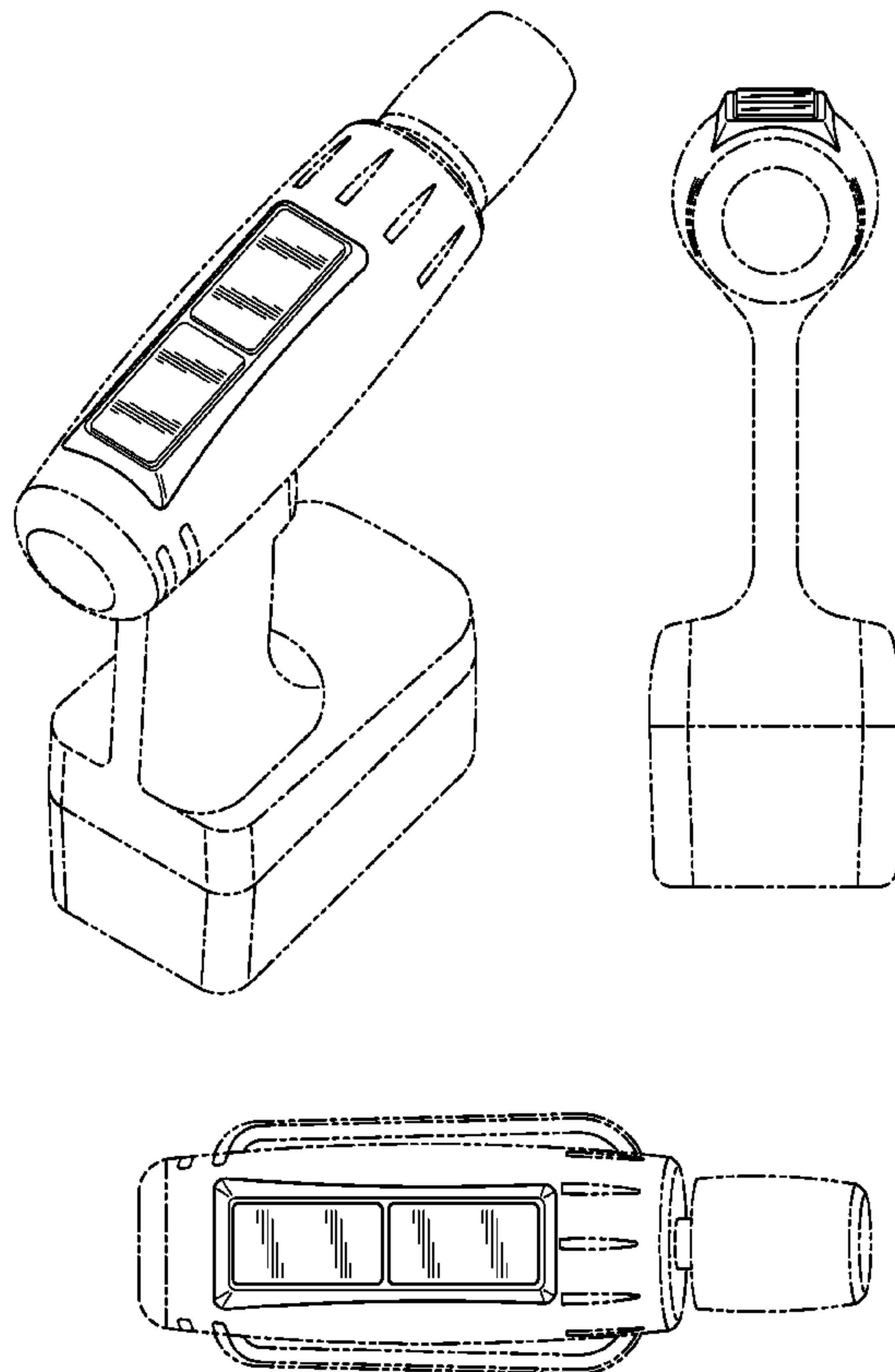
FIG. 1 is a perspective view of a magnetic holder disposed on a top of a tool,

FIG. 2 is a rear view; and,

FIG. 3 is a top plan view.

The phantom lines are environmental only and form no part of the claimed design.

**1 Claim, 1 Drawing Sheet**



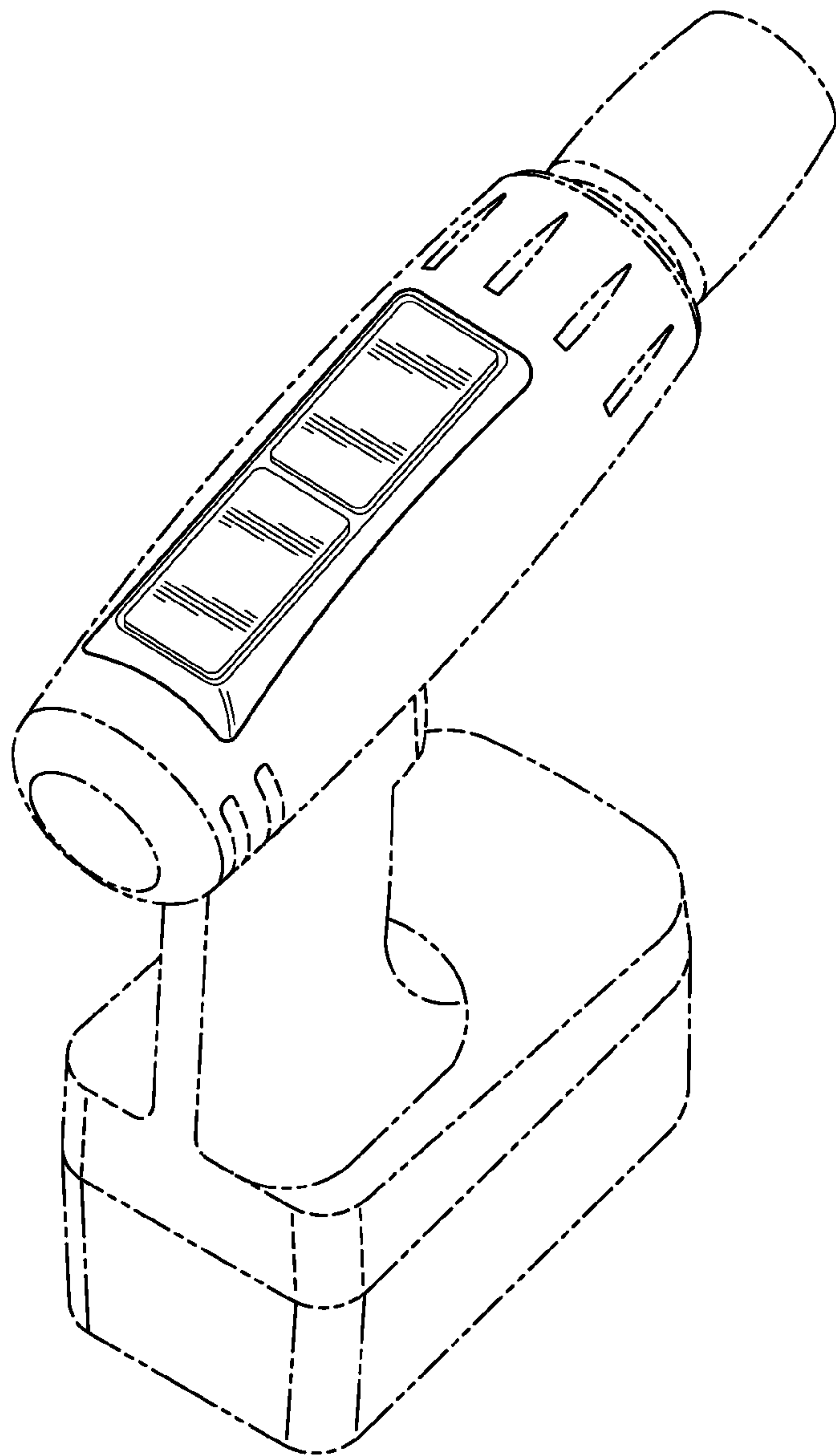


Figure 1

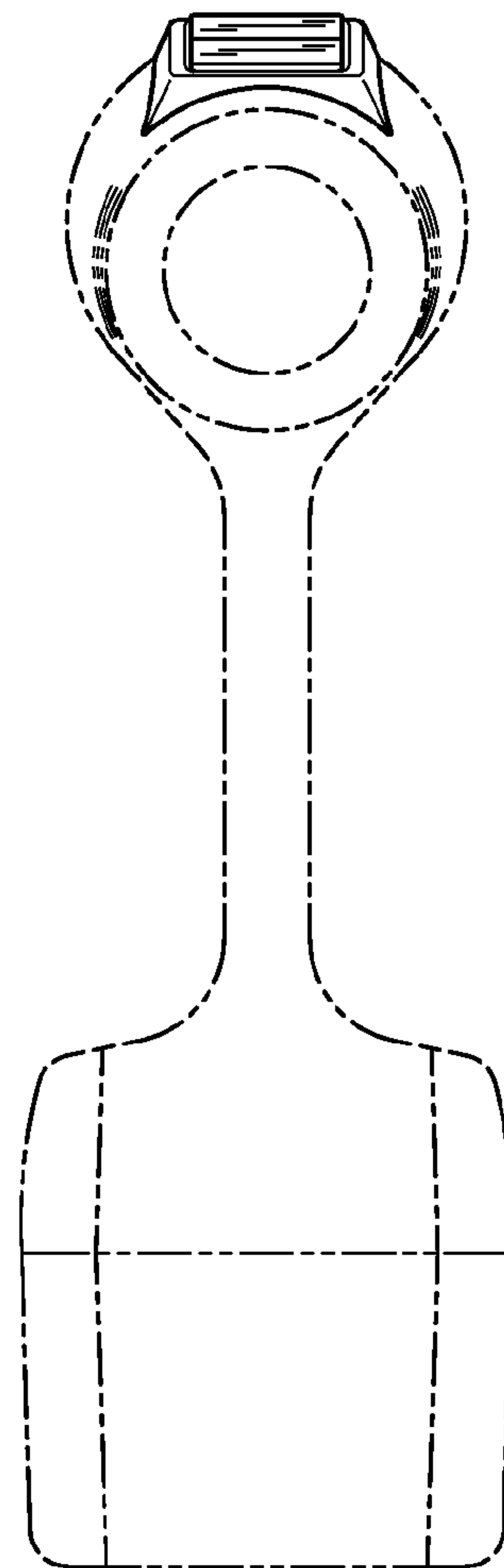


Figure 2

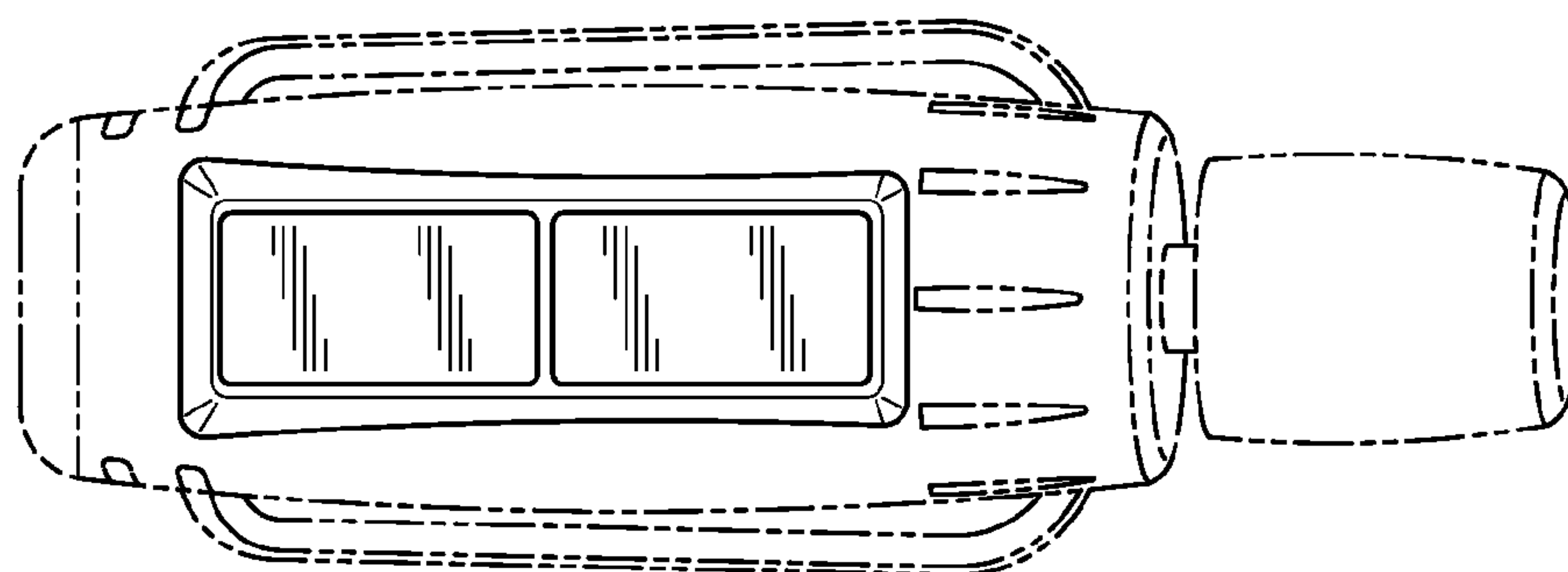


Figure 3