



US00D566058S

(12) **United States Design Patent**
Ishida

(10) **Patent No.:** **US D566,058 S**
(45) **Date of Patent:** **** Apr. 8, 2008**

(54) **LIGHT EMITTING DIODE**

(75) Inventor: **Masashi Ishida**, Anan (JP)

(73) Assignee: **Nichia Corporation**, Anan-shi,
Tokushima (JP)

(**) Term: **14 Years**

(21) Appl. No.: **29/288,356**

(22) Filed: **Jun. 8, 2007**

Related U.S. Application Data

(62) Division of application No. 29/270,903, filed on Jan. 5, 2007, now Pat. No. Des. 548,198, which is a division of application No. 29/198,375, filed on Jan. 28, 2004, now Pat. No. Des. 538,239.

(30) **Foreign Application Priority Data**

| | | | |
|---------------|------|-------|-------------|
| Jul. 28, 2003 | (JP) | | 2003-021726 |
| Jul. 28, 2003 | (JP) | | 2003-021747 |
| Jul. 28, 2003 | (JP) | | 2003-021748 |
| Jul. 28, 2003 | (JP) | | 2003-021749 |
| Jul. 28, 2003 | (JP) | | 2003-021750 |

(51) **LOC (8) Cl.** **13-03**

(52) **U.S. Cl.** **D13/180**

(58) **Field of Classification Search** D13/180;
D26/2; 257/79, 80, 81, 88, 89, 95, 98, 99,
257/100; 313/483, 498, 500; 362/555, 800
See application file for complete search history.

(56) **References Cited**

U.S. PATENT DOCUMENTS

D496,007 S * 9/2004 Hoshiba D13/179

(Continued)

Primary Examiner—Selina Sikder

(74) *Attorney, Agent, or Firm*—Osha Liang LLP

(57) **CLAIM**

The ornamental design for a light emitting diode, as shown and described.

DESCRIPTION

FIG. 1 shows a front view of the design according to a first embodiment of the invention.

FIG. 2 shows a rear view of the design according to the first embodiment of the invention.

FIG. 3 shows a top view of the design according to the first embodiment of the invention.

FIG. 4 shows a bottom view of the design according to the first embodiment of the invention.

FIG. 5 shows a left side view of the design according to the first embodiment of the invention. The right side view is a mirror image of the left side view.

FIG. 6 shows a top perspective view of the design according to the first embodiment of the invention.

FIG. 7 shows a bottom perspective view of the design according to the first embodiment of the invention.

FIG. 8 shows a front view of the design according to a second embodiment of the invention, indicating a translucent portion, wherein the rear, top, bottom, left and right side views are identical to the first embodiment.

FIG. 9 shows a front view of the design according to a third embodiment of the invention.

FIG. 10 shows a rear view of the design according to the third embodiment of the invention.

FIG. 11 shows a top view of the design according to the third embodiment of the invention.

FIG. 12 shows a bottom view of the design according to the third embodiment of the invention.

FIG. 13 shows a left side view of the design according to the third embodiment of the invention. The right side view is a mirror image of the left side view.

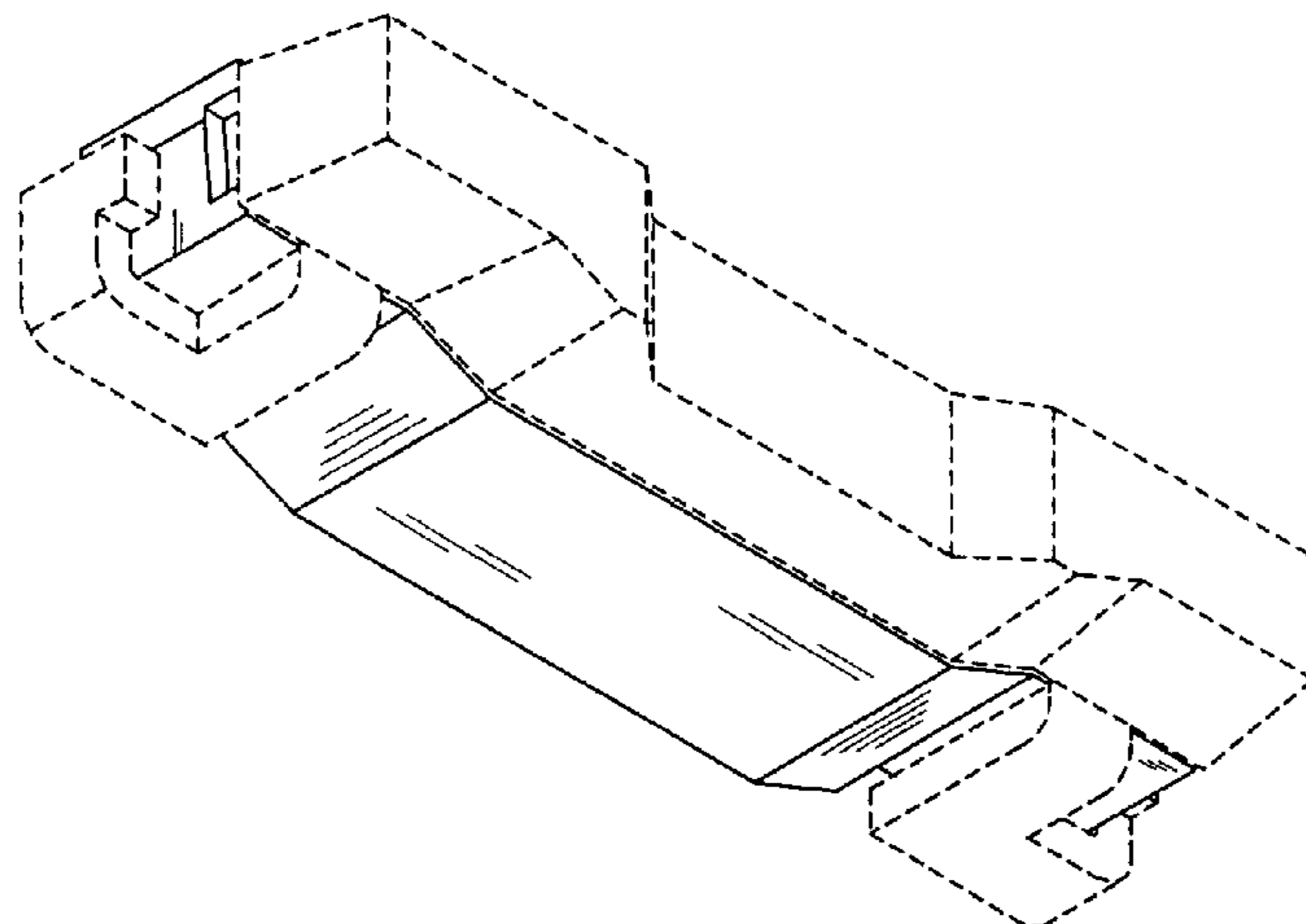
FIG. 14 shows a top perspective view of the design according to the third embodiment of the invention.

FIG. 15 shows a bottom perspective view of the design according to the third embodiment of the invention; and,

FIG. 16 shows a front view of the design according to a fourth embodiment of the invention, indicating a translucent portion, wherein the rear, top, bottom, left and right side views are identical to the third embodiment.

The elements shown in broken lines are for illustrative purposes only and form no part of the claimed design.

1 Claim, 4 Drawing Sheets



US D566,058 S

Page 2

U.S. PATENT DOCUMENTS

| | | | | | | | | | |
|----------------|---------|---------|-------|---------|-------------------|---------|------------|-------|---------|
| D500,292 S * | 12/2004 | Ishida | | D13/180 | D527,352 S * | 8/2006 | Wu et al. | | D13/180 |
| D501,831 S * | 2/2005 | Ishida | | D13/180 | D538,239 S * | 3/2007 | Ishida | | D13/180 |
| D507,782 S * | 7/2005 | Ishida | | D13/180 | D548,198 S * | 8/2007 | Ishida | | D13/180 |
| D509,488 S * | 9/2005 | Ishida | | D13/180 | 2005/0205974 A1 * | 9/2005 | Su et al. | | 257/678 |
| D510,326 S * | 10/2005 | Ishida | | D13/180 | 2006/0193121 A1 * | 8/2006 | Kamoshita | | 362/84 |
| 6,953,952 B2 * | 10/2005 | Asakawa | | 257/103 | 2006/0284203 A1 * | 12/2006 | Han et al. | | 257/98 |
| D511,148 S * | 11/2005 | Ishida | | D13/180 | 2007/0001187 A1 * | 1/2007 | Kim | | 257/98 |
| D518,449 S * | 4/2006 | Ishida | | D13/180 | 2007/0029564 A1 * | 2/2007 | Han et al. | | 257/98 |

* cited by examiner

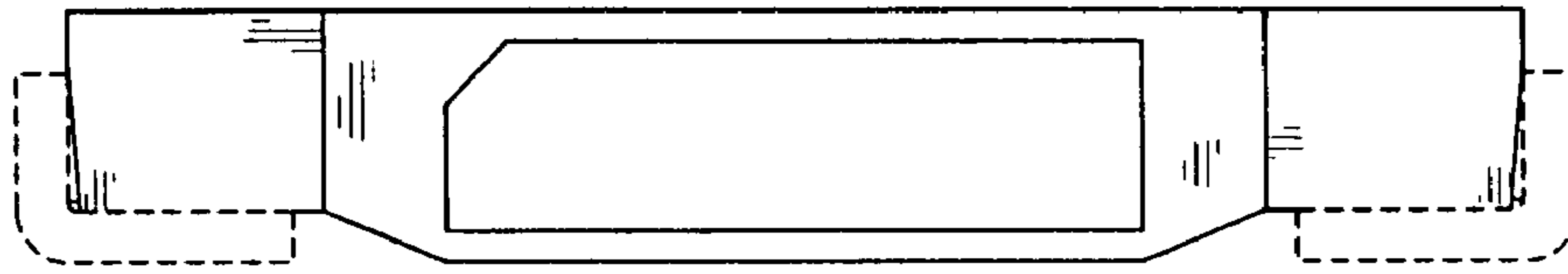


Fig. 1

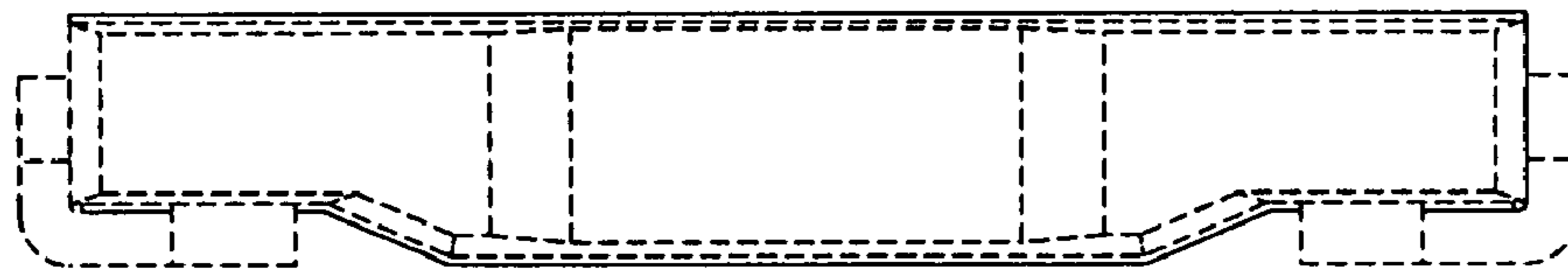


Fig. 2

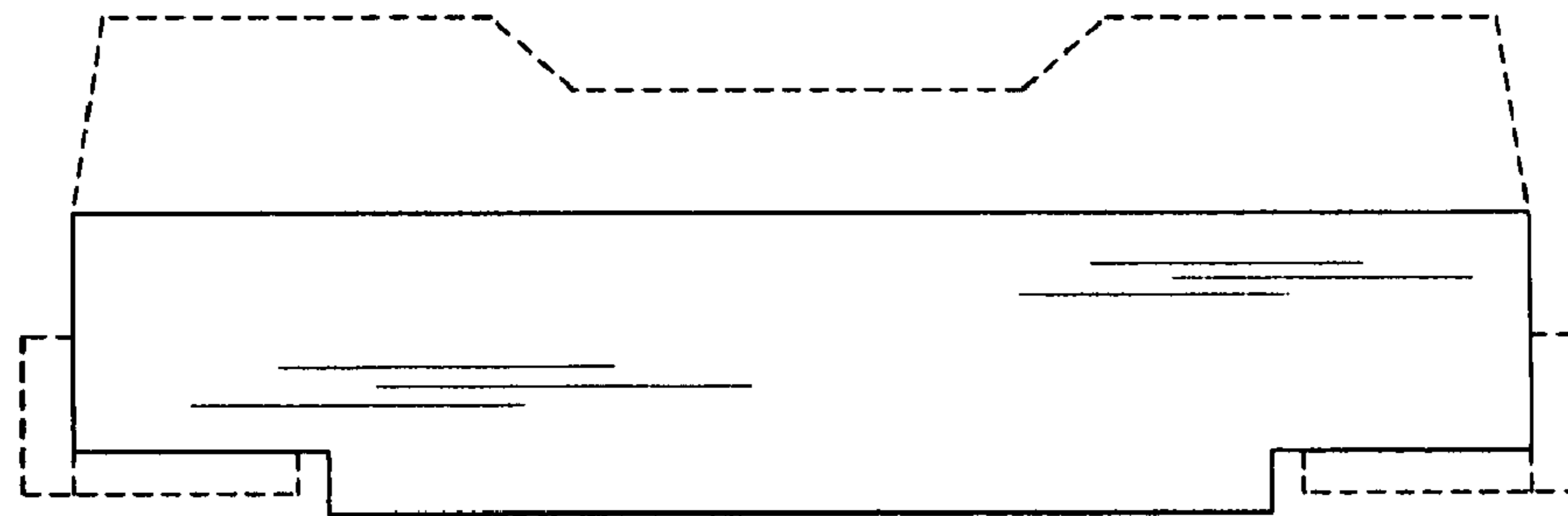


Fig. 3

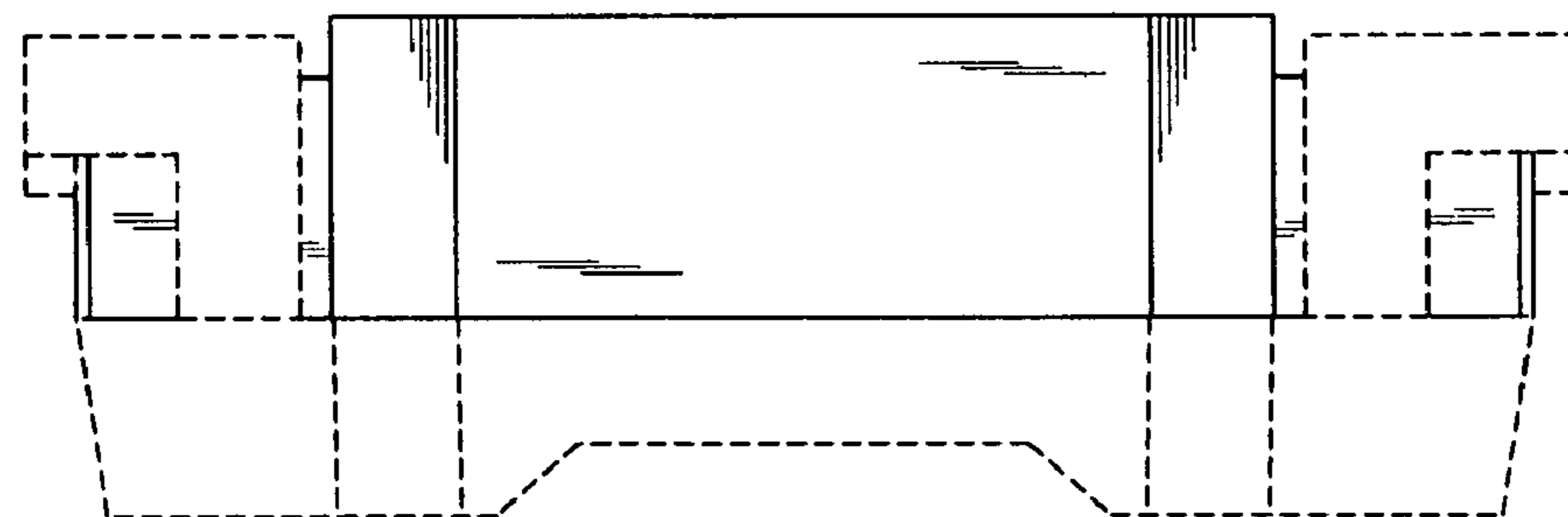


Fig. 4



Fig. 5

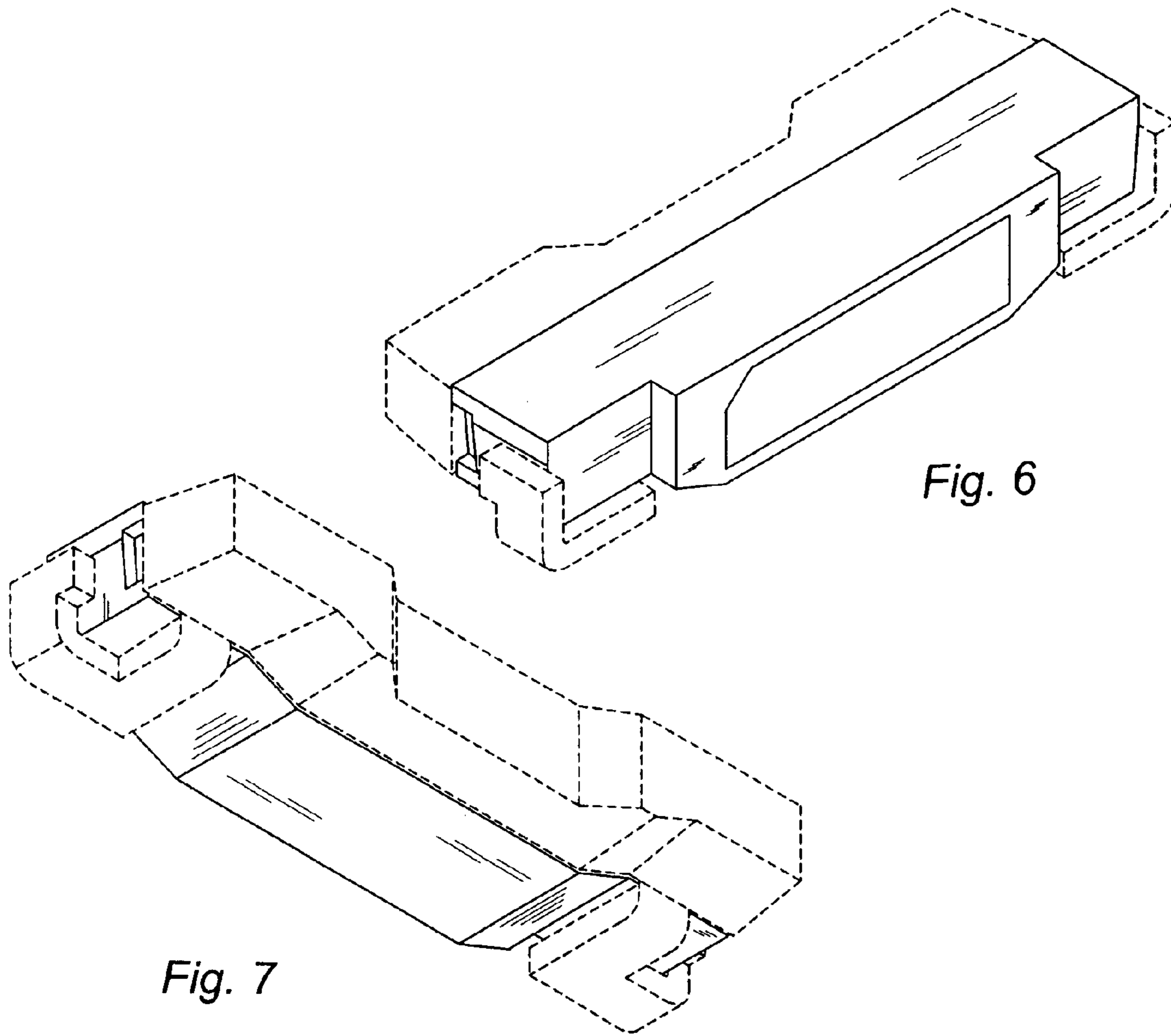


Fig. 7

Fig. 6

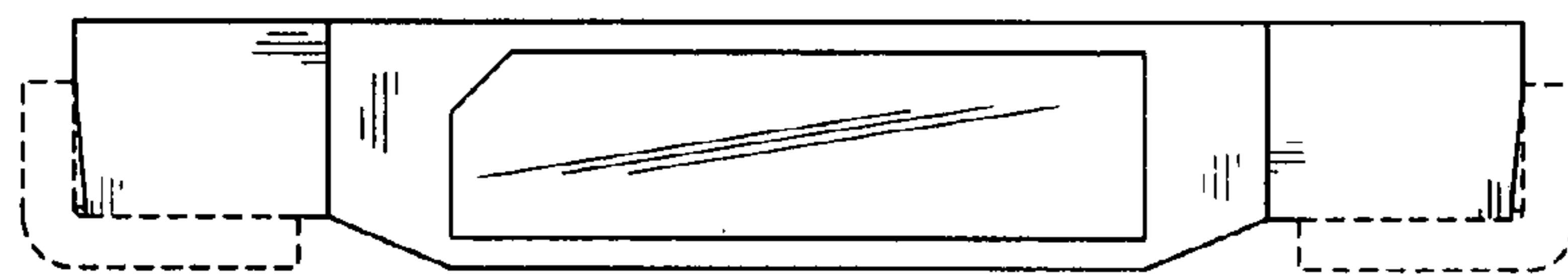


Fig. 8

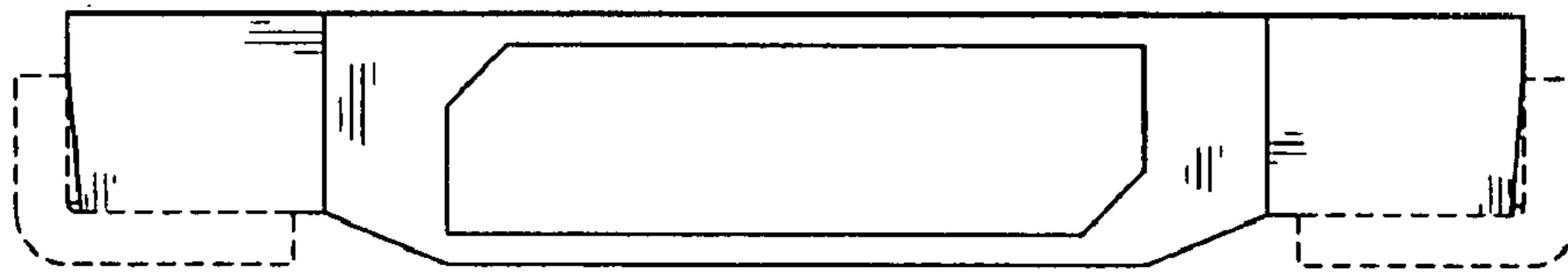


Fig. 9

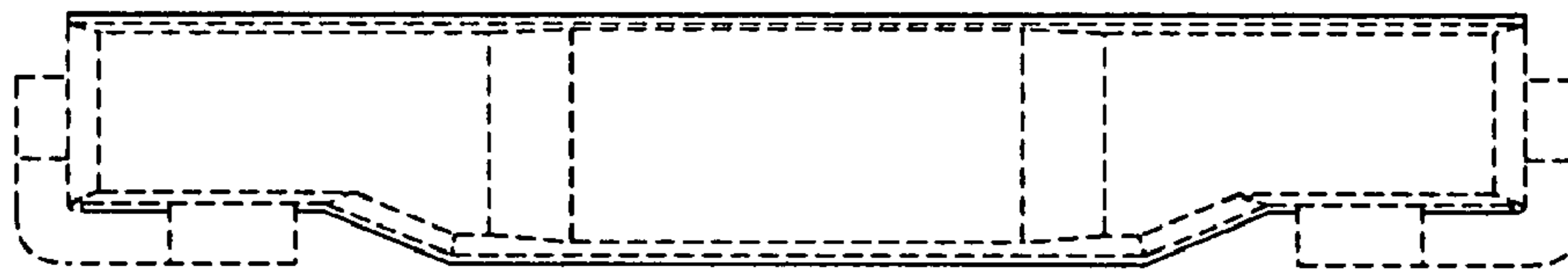


Fig. 10

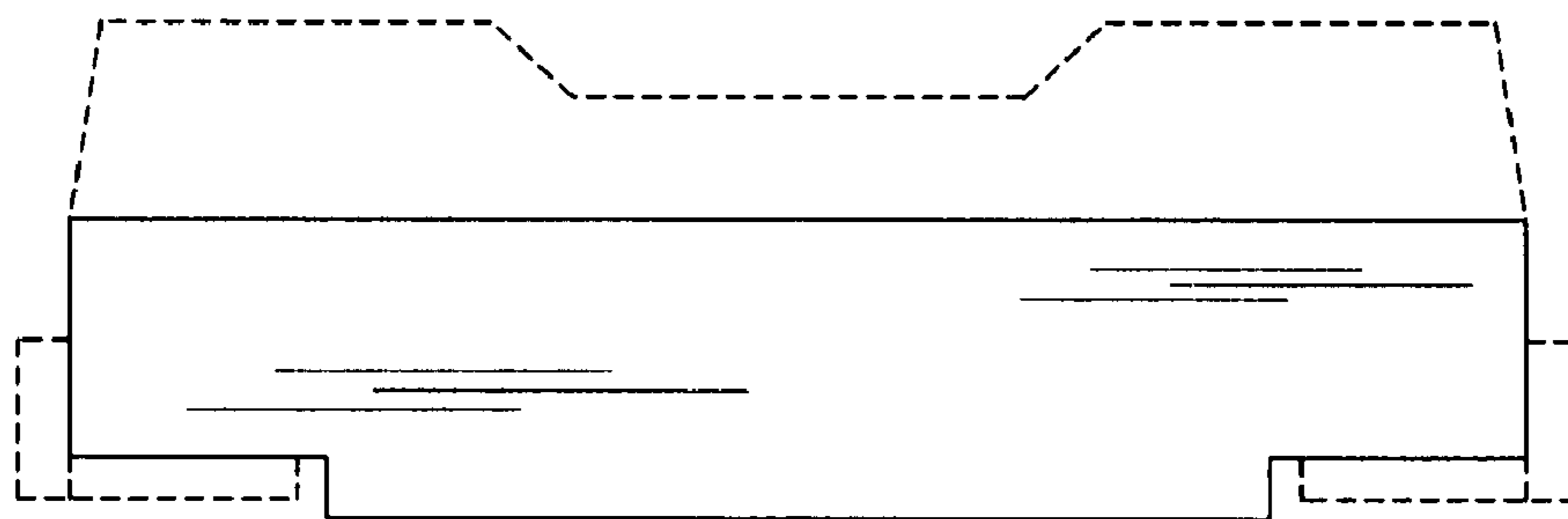


Fig. 11

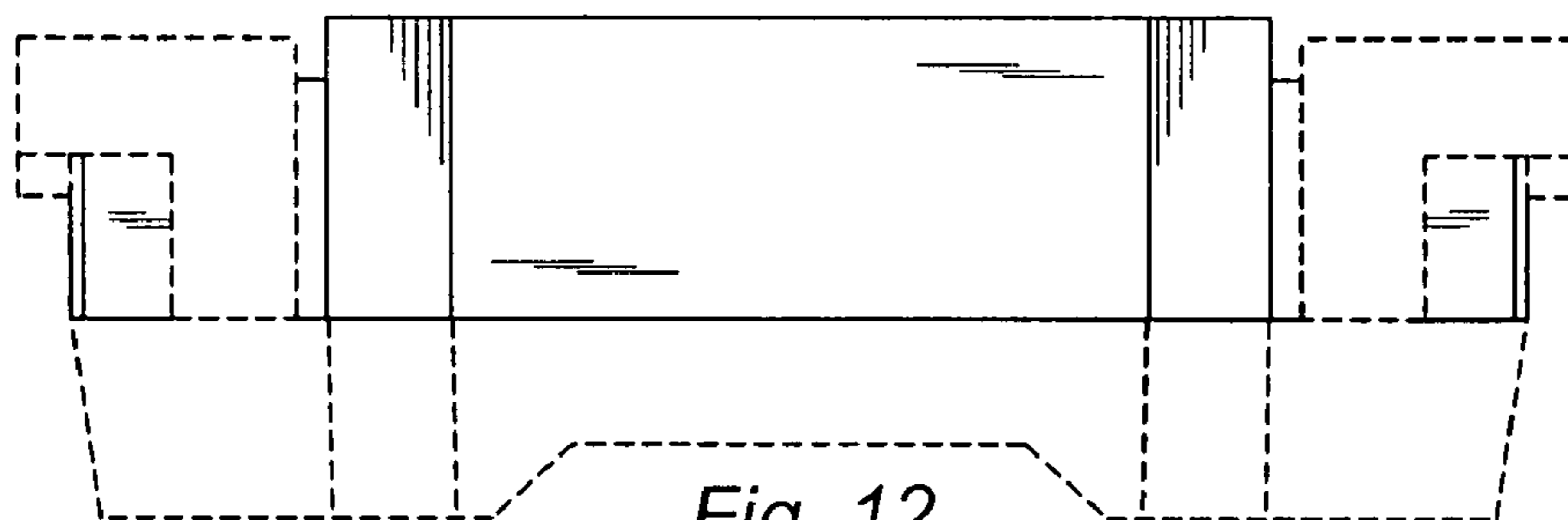


Fig. 12



Fig. 13

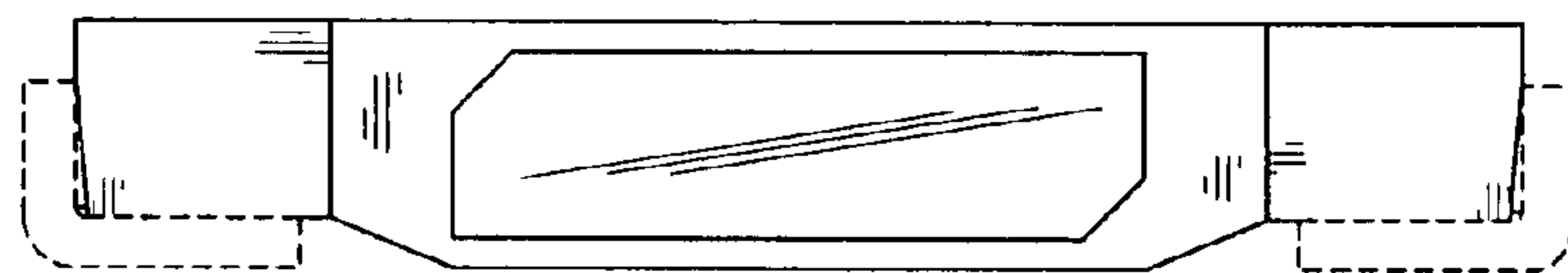
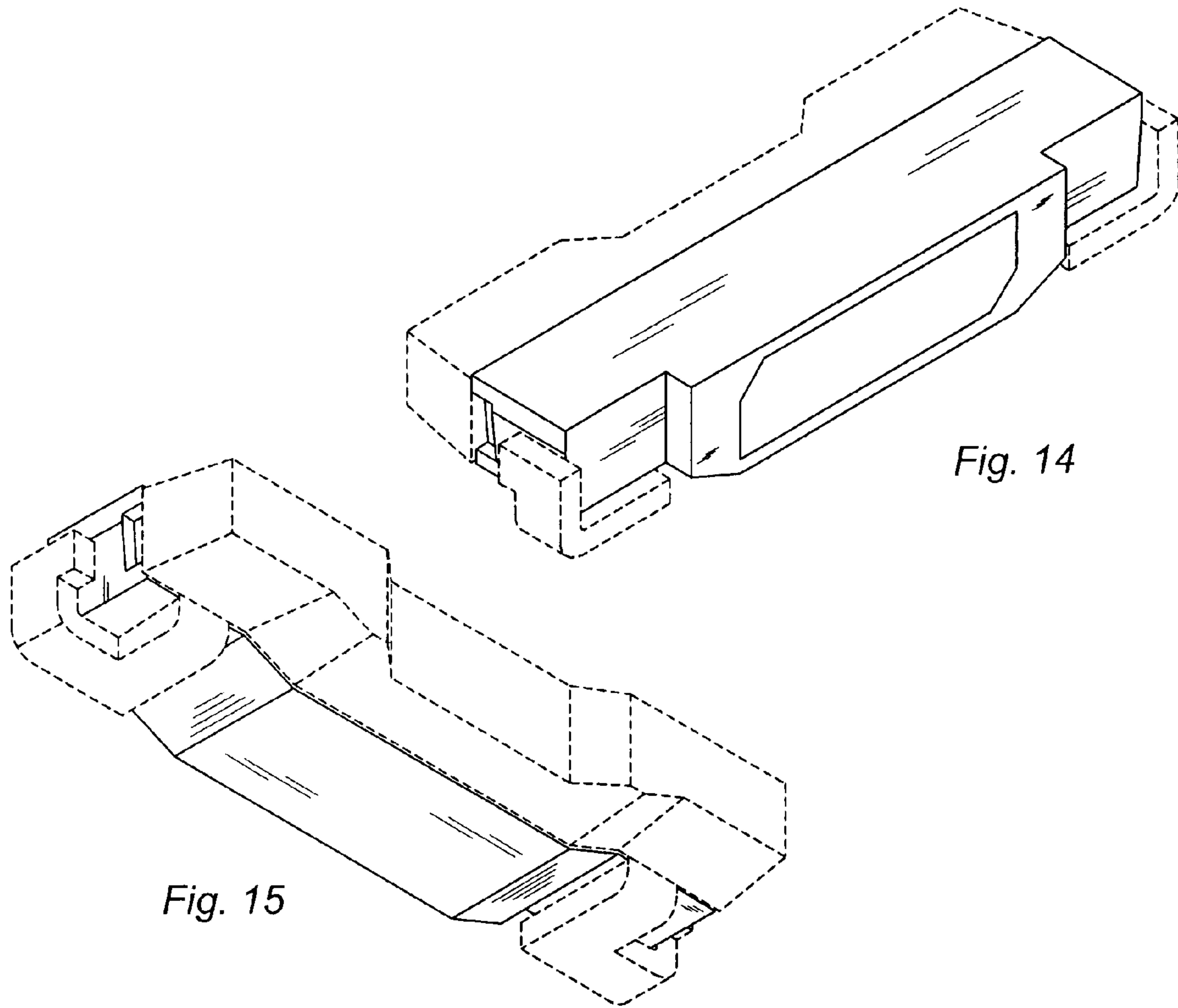


Fig. 16