

US00D566055S

(12) **United States Design Patent**  
**Kim**

(10) **Patent No.:** **US D566,055 S**

(45) **Date of Patent:** **\*\* Apr. 8, 2008**

- (54) **LIGHT-EMITTING DIODE (LED)**
- (75) Inventor: **Wan Ho Kim**, Gwangju (KR)
- (73) Assignee: **LG Innotek Co., Ltd.**, Seoul (KR)
- (\*\*) Term: **14 Years**
- (21) Appl. No.: **29/274,017**
- (22) Filed: **Mar. 21, 2007**
- (30) **Foreign Application Priority Data**  
Sep. 21, 2006 (KR) ..... 30-2006-0038840
- (51) **LOC (8) Cl.** ..... **13-03**
- (52) **U.S. Cl.** ..... **D13/180**
- (58) **Field of Classification Search** ..... D13/180;  
D26/2; 257/79, 80, 81, 88, 89, 95, 98, 99,  
257/100; 313/483, 498, 500; 362/555, 800  
See application file for complete search history.

- (56) **References Cited**  
U.S. PATENT DOCUMENTS  
6,627,922 B1 \* 9/2003 Ishinaga ..... 257/99  
7,081,661 B2 \* 7/2006 Takehara et al. .... 257/433  
2005/0023653 A1 \* 2/2005 Tandy et al. .... 257/666  
2006/0027828 A1 \* 2/2006 Kikuchi ..... 257/99

- 2006/0108670 A1 \* 5/2006 Bambridge ..... 257/666
- 2006/0131600 A1 \* 6/2006 Nakaoka et al. .... 257/99
- 2006/0186429 A1 \* 8/2006 Chew ..... 257/100
- 2006/0208271 A1 \* 9/2006 Kim et al. .... 257/100
- 2006/0220050 A1 \* 10/2006 Higaki et al. .... 257/99

\* cited by examiner

*Primary Examiner*—Selina Sikder

(74) *Attorney, Agent, or Firm*—Birch, Stewart, Kolasch & Birch, LLP

(57) **CLAIM**

The ornamental design for a light-emitting diode (LED), as shown and described.

**DESCRIPTION**

- FIG. 1 is a front, right perspective view of the light-emitting diode (LED) showing my new design;
- FIG. 2 is a front view thereof, the rear view being a mirror image thereof;
- FIG. 3 is a left side view thereof, the right side view being a mirror image thereof;
- FIG. 4 is a top plan view thereof; and,
- FIG. 5 is a bottom plan view thereof.

**1 Claim, 2 Drawing Sheets**

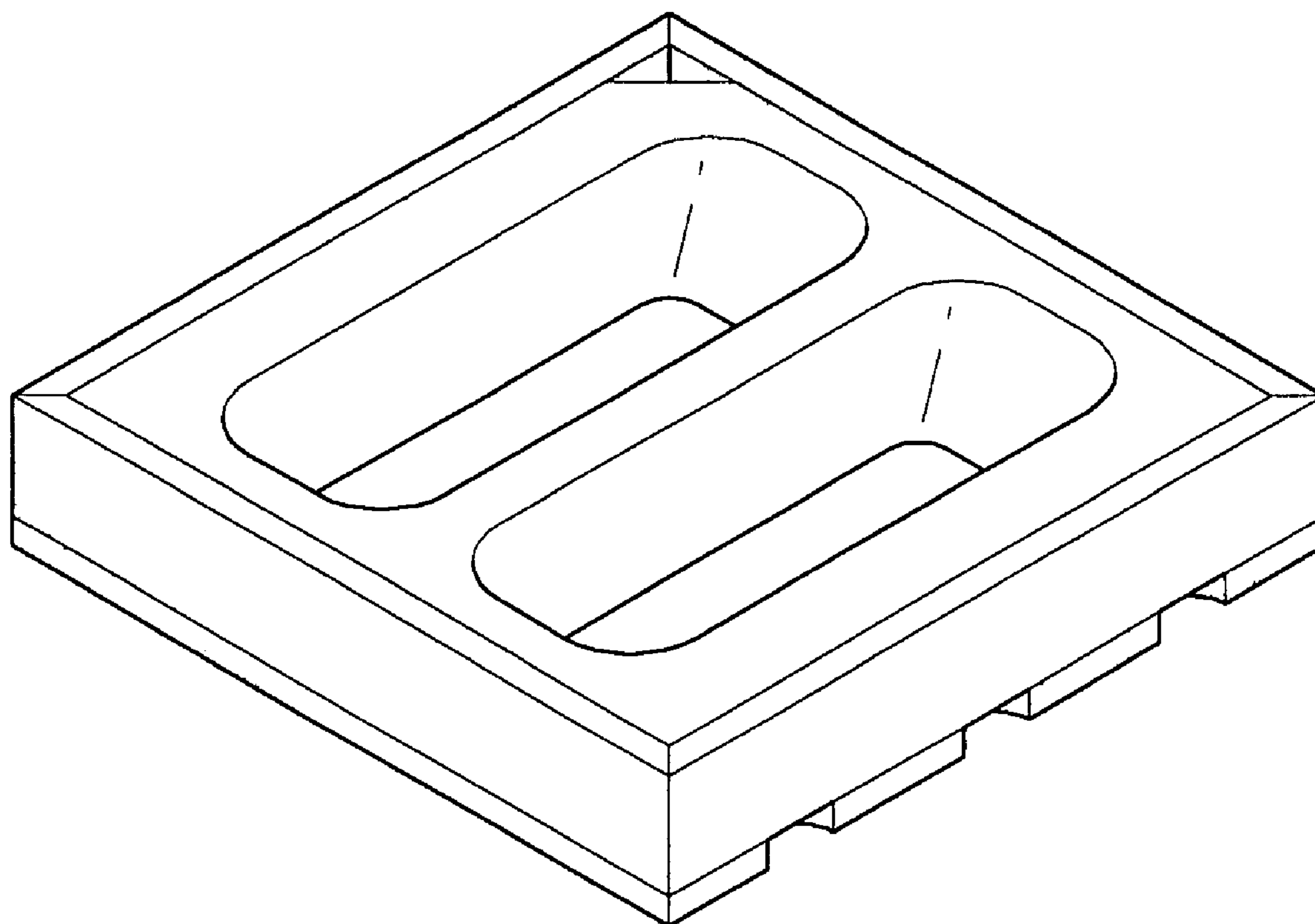


Fig. 1

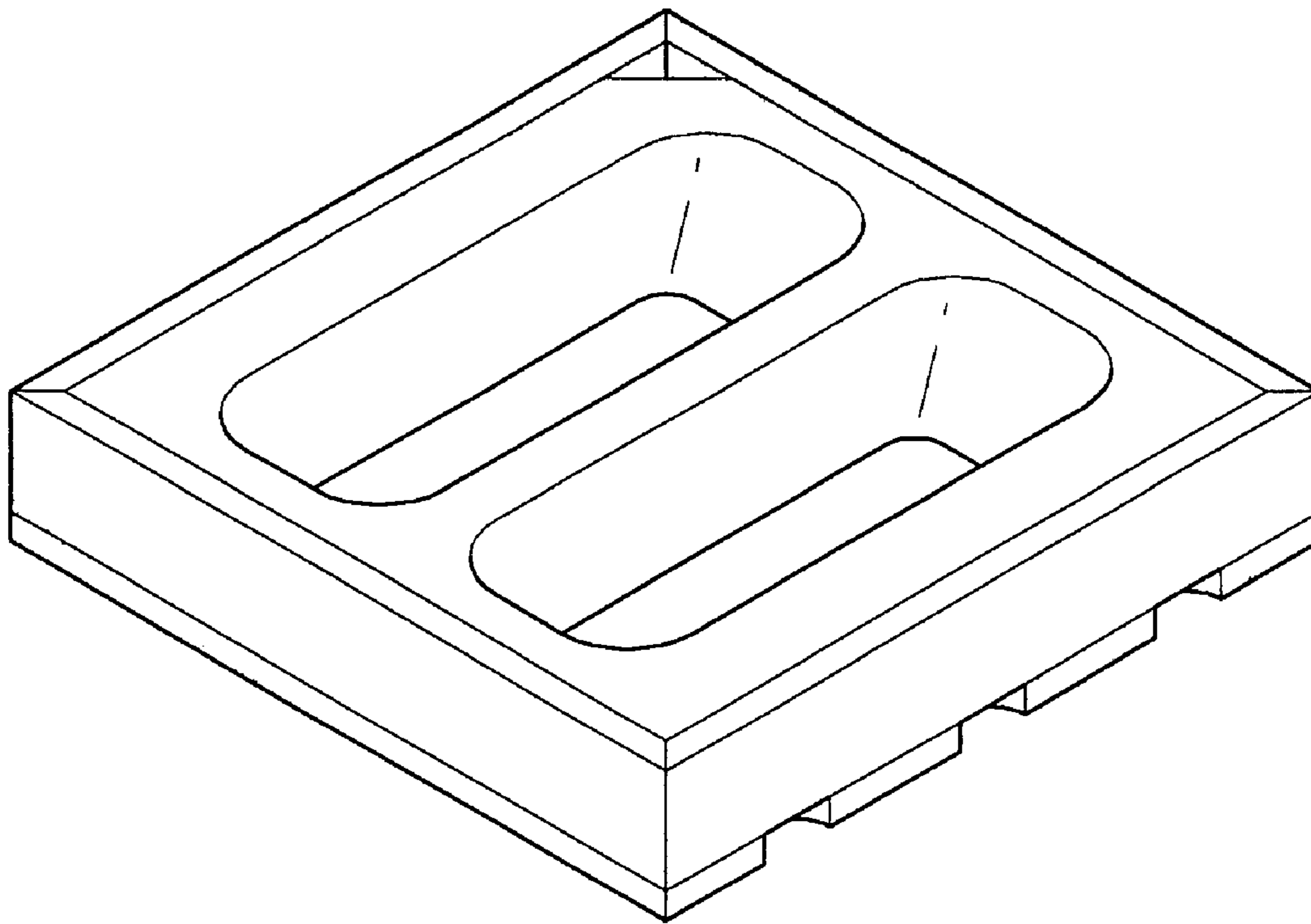


Fig. 2

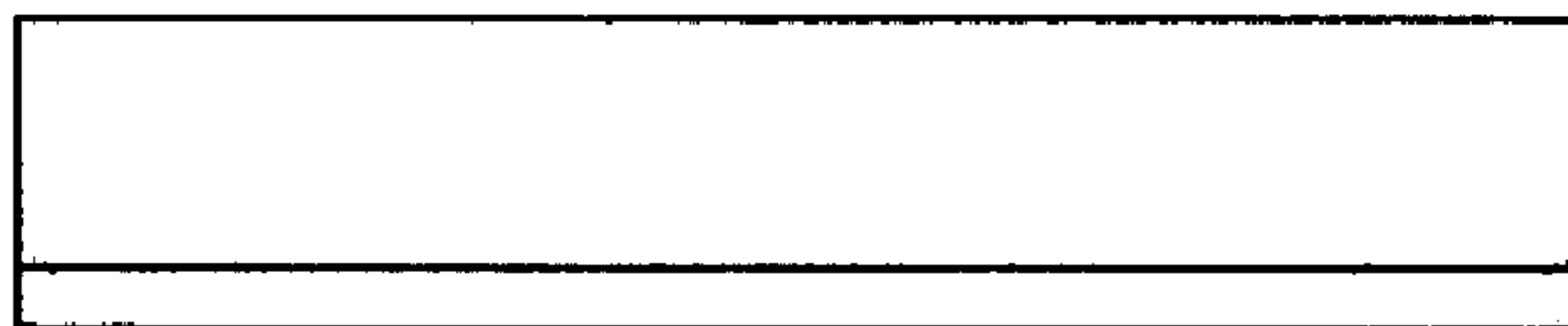


Fig. 3

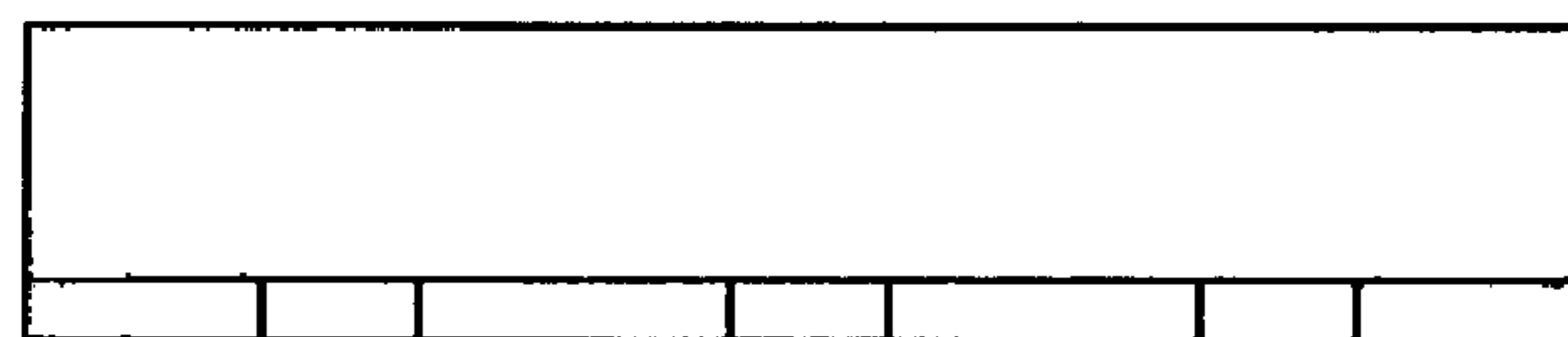


Fig. 4

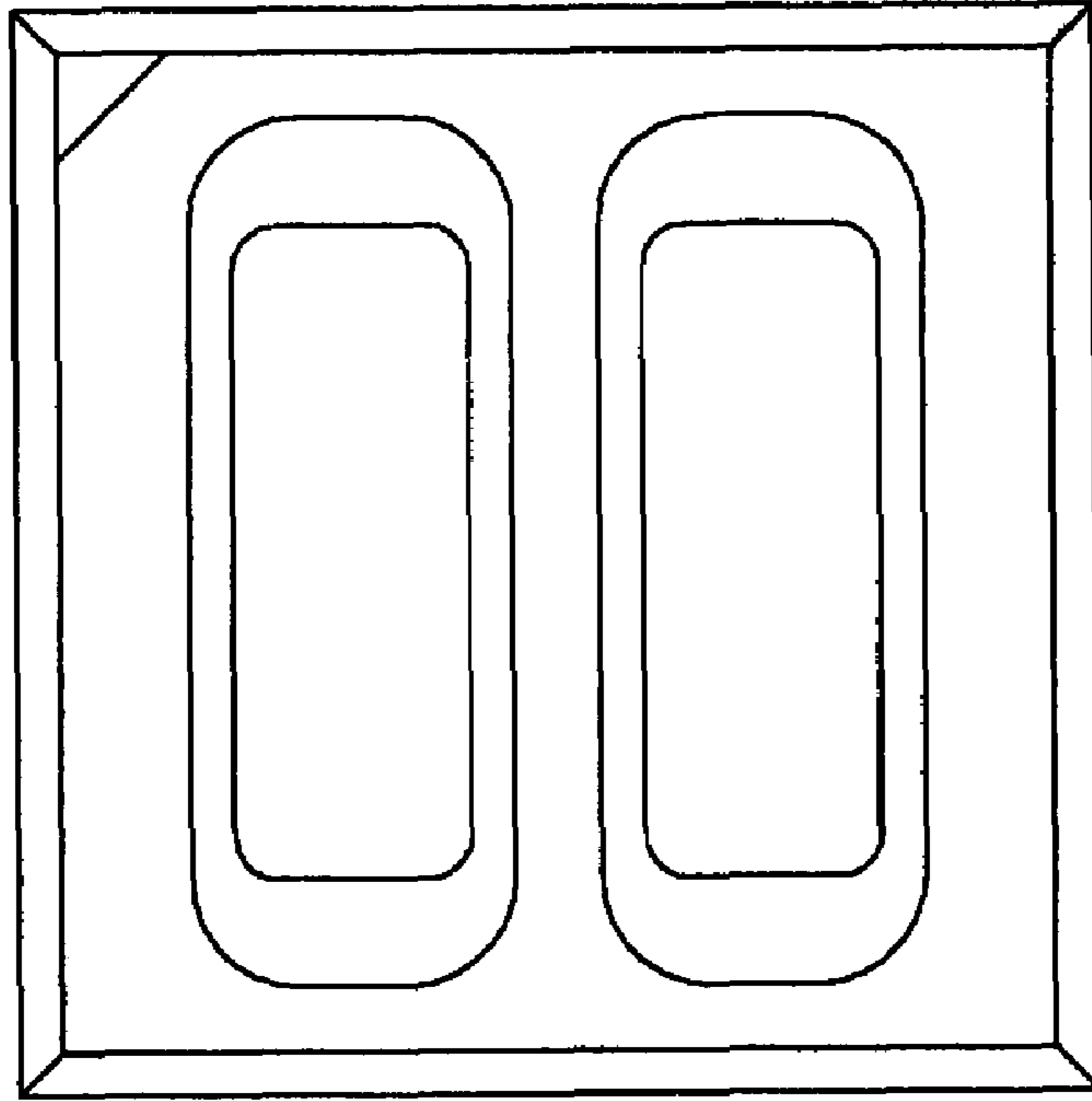


Fig. 5

