

US00D566052S

(12) **United States Design Patent** (10) **Patent No.:** **US D566,052 S**
Ochs et al. (45) **Date of Patent:** **** *Apr. 8, 2008**

(54) **DIMMER SWITCH**

(75) Inventors: **Matthew J. Ochs**, Macungie, PA (US);
John Hewson, Philadelphia, PA (US)

(73) Assignee: **Lutron Electronics Co., Inc.**,
Coopersburg, PA (US)

(*) Notice: This patent is subject to a terminal disclaimer.

(**) Term: **14 Years**

(21) Appl. No.: **29/295,034**

(22) Filed: **Sep. 20, 2007**

Related U.S. Application Data

(62) Division of application No. 29/267,916, filed on Oct. 25, 2006.

(51) **LOC (8) Cl.** **13-03**

(52) **U.S. Cl.** **D13/170; D13/174**

(58) **Field of Classification Search** D13/162,
D13/169, 170; 174/66; 200/530, 531, 536,
200/252, 293, 333, 335, 329; 338/128, 176;
D8/353; 307/116, 125, 139

See application file for complete search history.

(56) **References Cited**

U.S. PATENT DOCUMENTS

- D241,853 S 10/1976 Spira et al.
- D337,755 S 7/1993 Rowen et al.
- D342,234 S 12/1993 Graybill et al.
- 5,637,930 A 6/1997 Rowen et al.
- 5,669,484 A 9/1997 Paulson
- D384,646 S 10/1997 Miller et al.
- D436,930 S 1/2001 Butler
- D471,879 S 3/2003 Mayo et al.
- D477,574 S 7/2003 Mayo et al.
- D479,207 S 9/2003 Mayo et al.
- D481,365 S 10/2003 Mayo et al.
- D482,007 S 11/2003 Mayo et al.

- 6,774,328 B2 8/2004 Adams et al.
- D526,969 S 8/2006 Spira
- D534,872 S 1/2007 Spira
- D538,759 S 3/2007 Spira et al.
- D541,222 S 4/2007 Mayo et al.
- D542,742 S 5/2007 Spira
- D543,511 S 5/2007 Altonen et al.
- D546,771 S 7/2007 Spira et al.
- D547,735 S 7/2007 Altonen et al.
- 2003/0089587 A1 5/2003 Mayo et al.
- 2006/0273970 A1 12/2006 Mosebrook et al.
- 2006/0284734 A1 12/2006 Newman, Jr.
- 2007/0007826 A1 1/2007 Mosebrook et al.

OTHER PUBLICATIONS

Lutron Electronics Co., Inc., Switching Systems Technical Guide, Aug. 2004, pp. front cover, 51, rear cover.

U.S. Appl. No. 29/267,915, filed Oct. 25, 2006, Mace et al.

U.S. Appl. No. 29/278,494, filed Mar. 30, 2007, Mace et al.

U.S. Appl. No. 29/278,543, filed Apr. 2, 2007, Hewson et al.

U.S. Appl. No. 29/283,972, filed Aug. 28, 2007, Mayo et al.

Primary Examiner—Selina Sikder

(74) *Attorney, Agent, or Firm*—Mark E. Rose

(57) **CLAIM**

We claim the ornamental design for a dimmer switch, as shown and described.

DESCRIPTION

FIG. 1 is a perspective view of a dimmer switch according to our new design.

FIG. 2 is a front view thereof.

FIG. 3 is a left side view thereof.

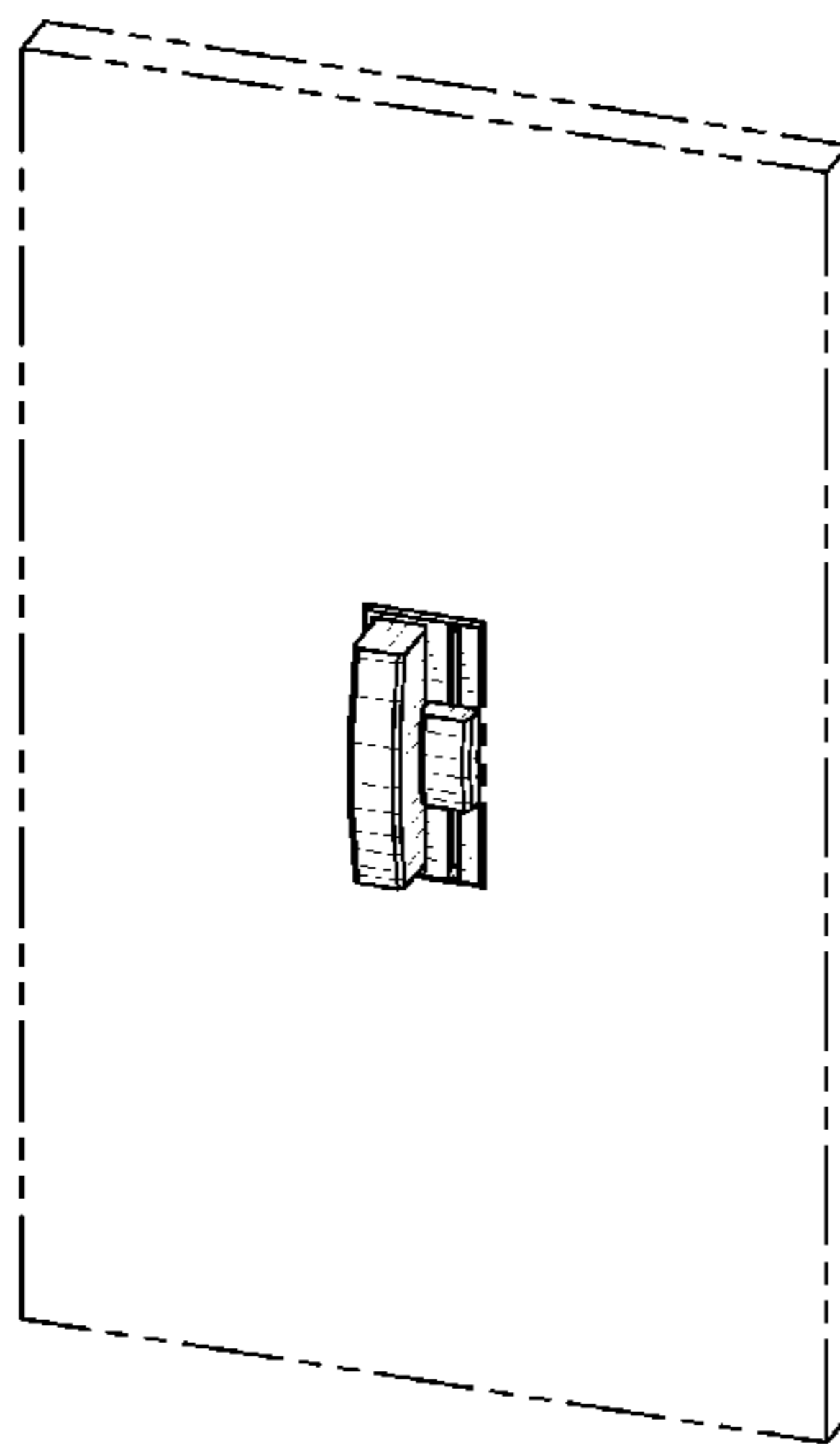
FIG. 4 is a right side view thereof.

FIG. 5 is a top view thereof; and,

FIG. 6 is a bottom view thereof.

The rear views form no part of the design and are omitted. The portions of the drawings appearing in broken line are for environment only and do not form a part of the design.

1 Claim, 4 Drawing Sheets



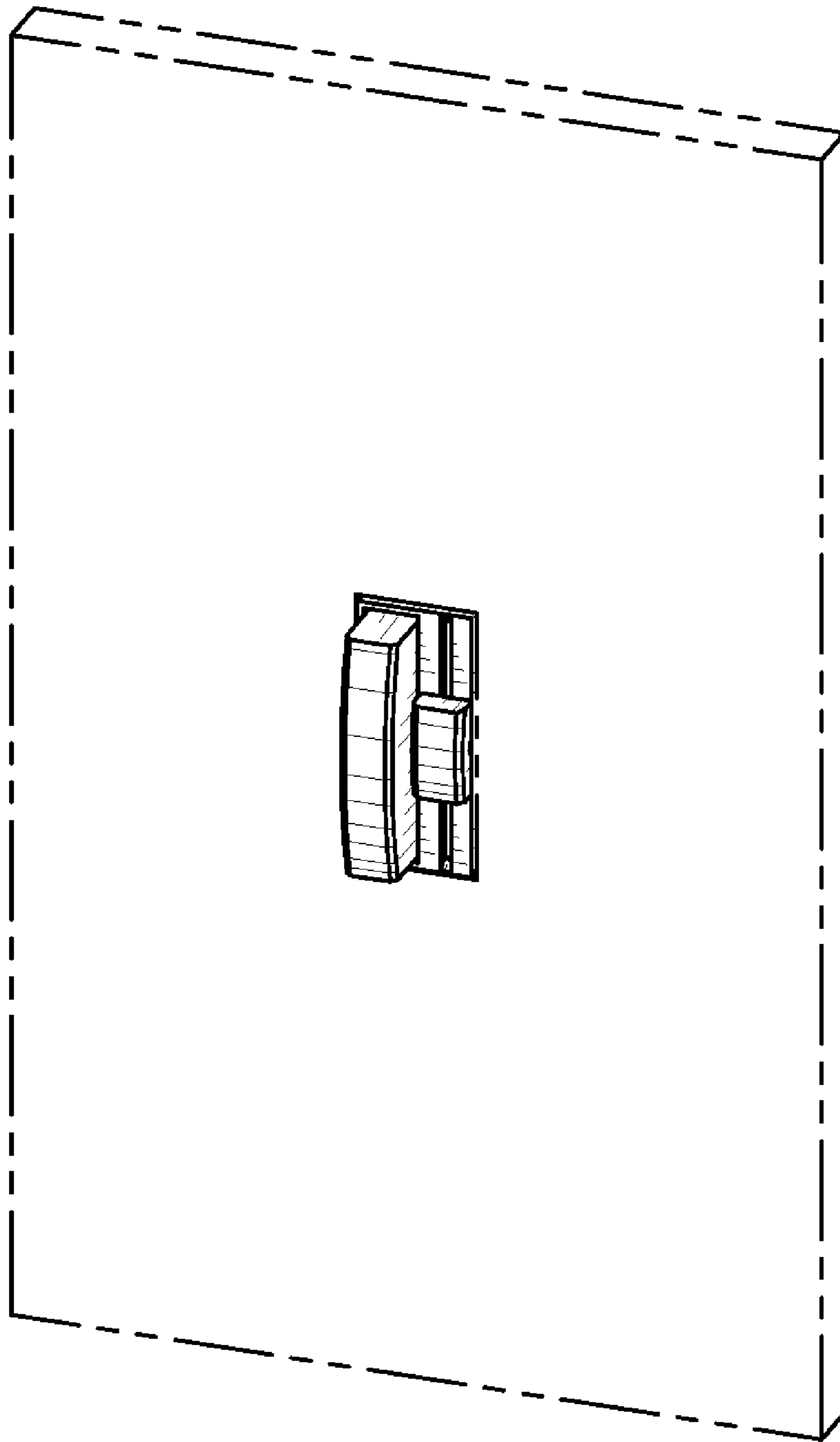


Fig. 1

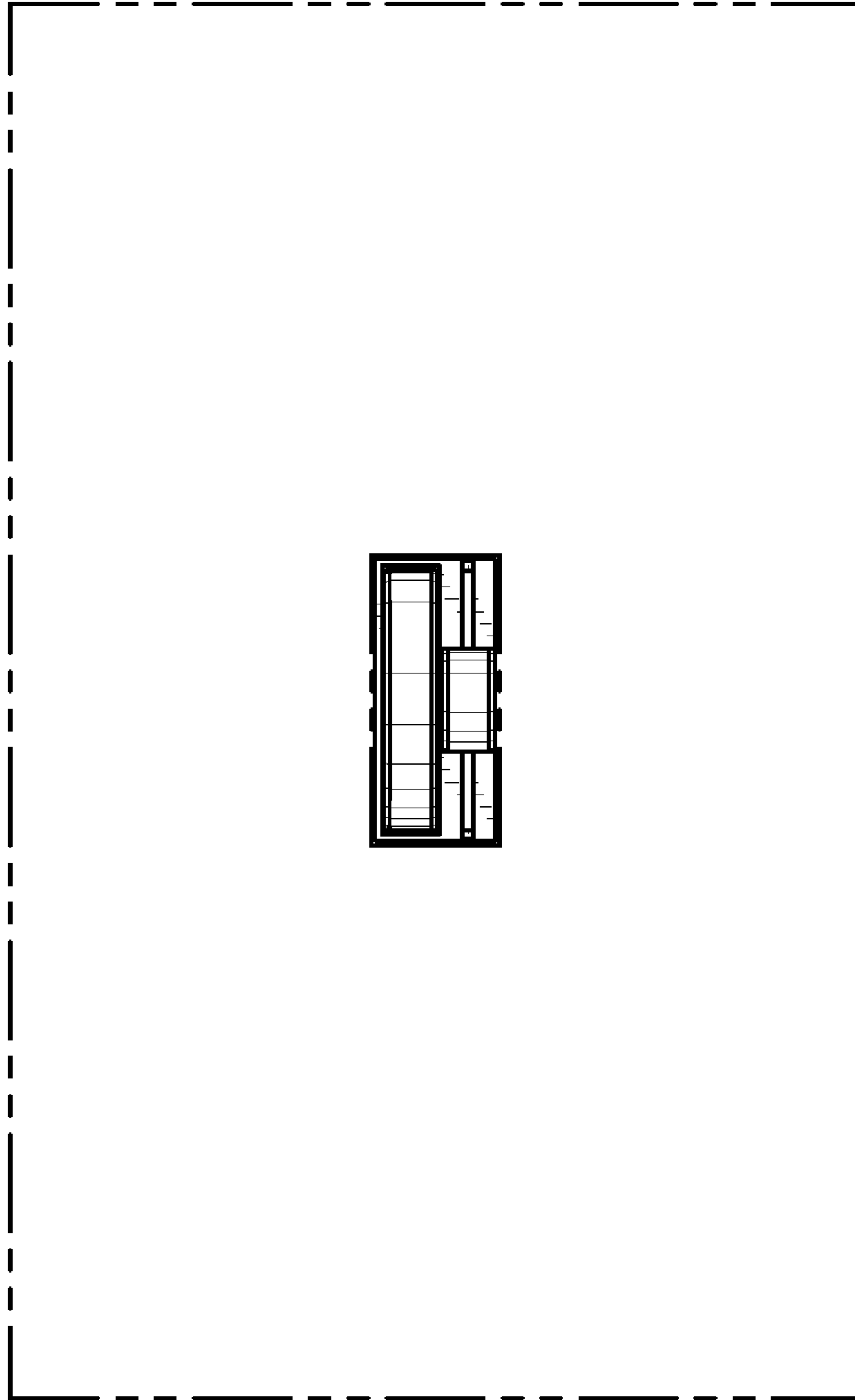


Fig. 2

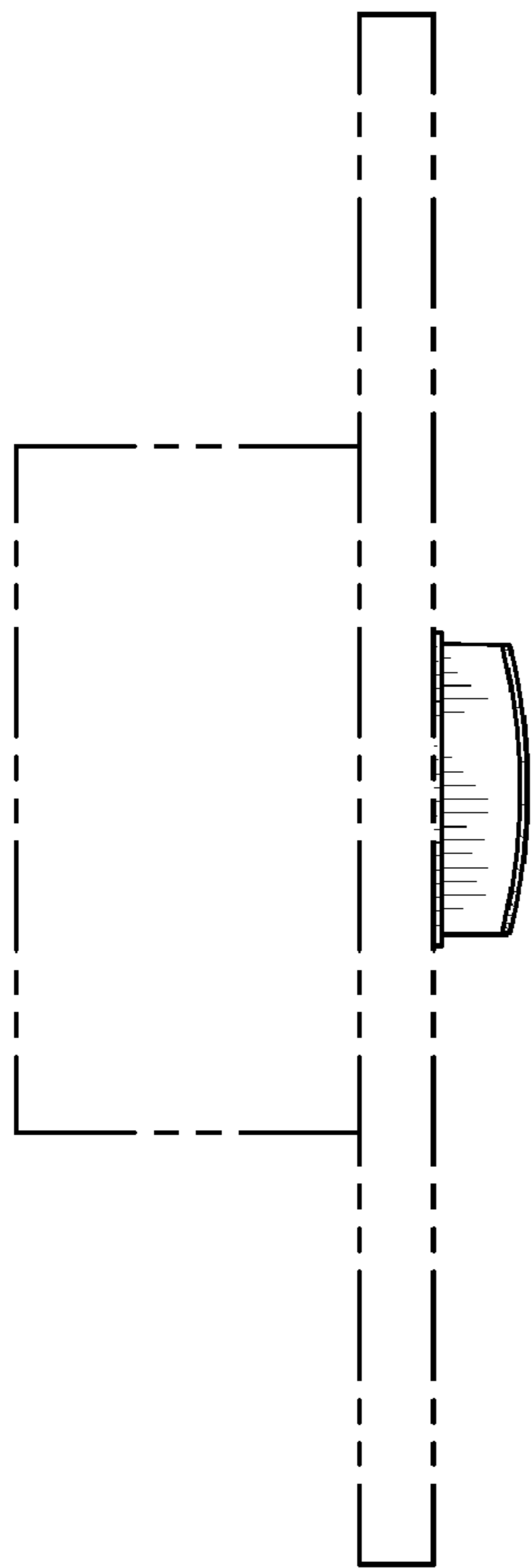


Fig. 3

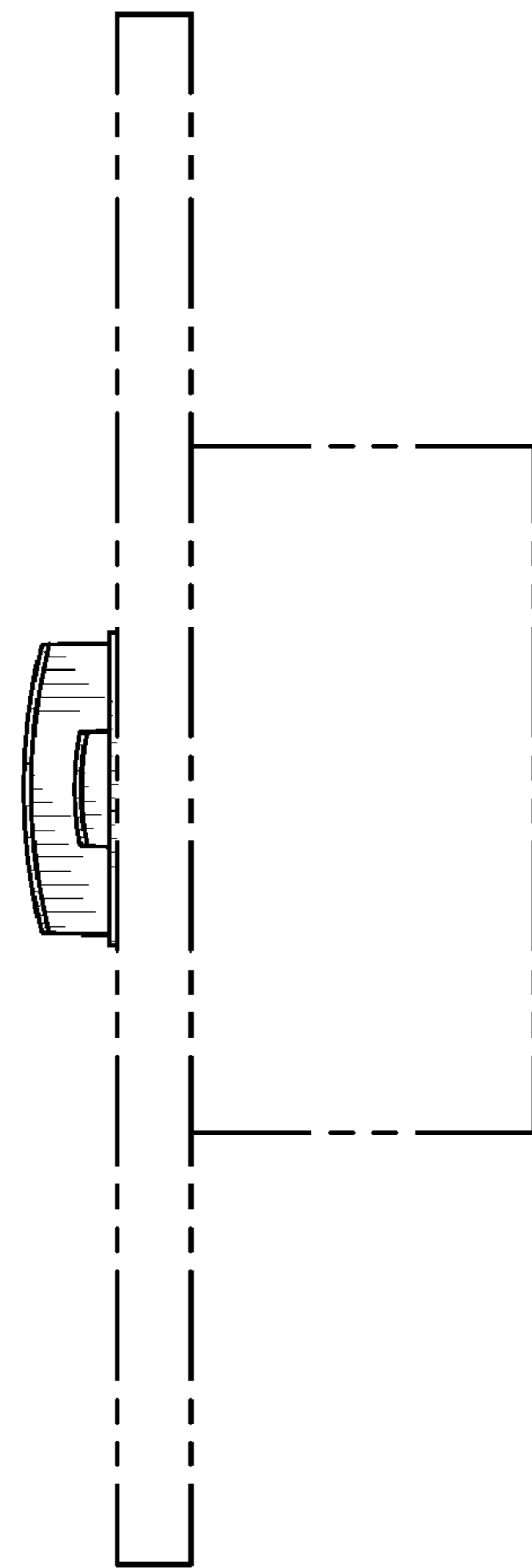


Fig. 4

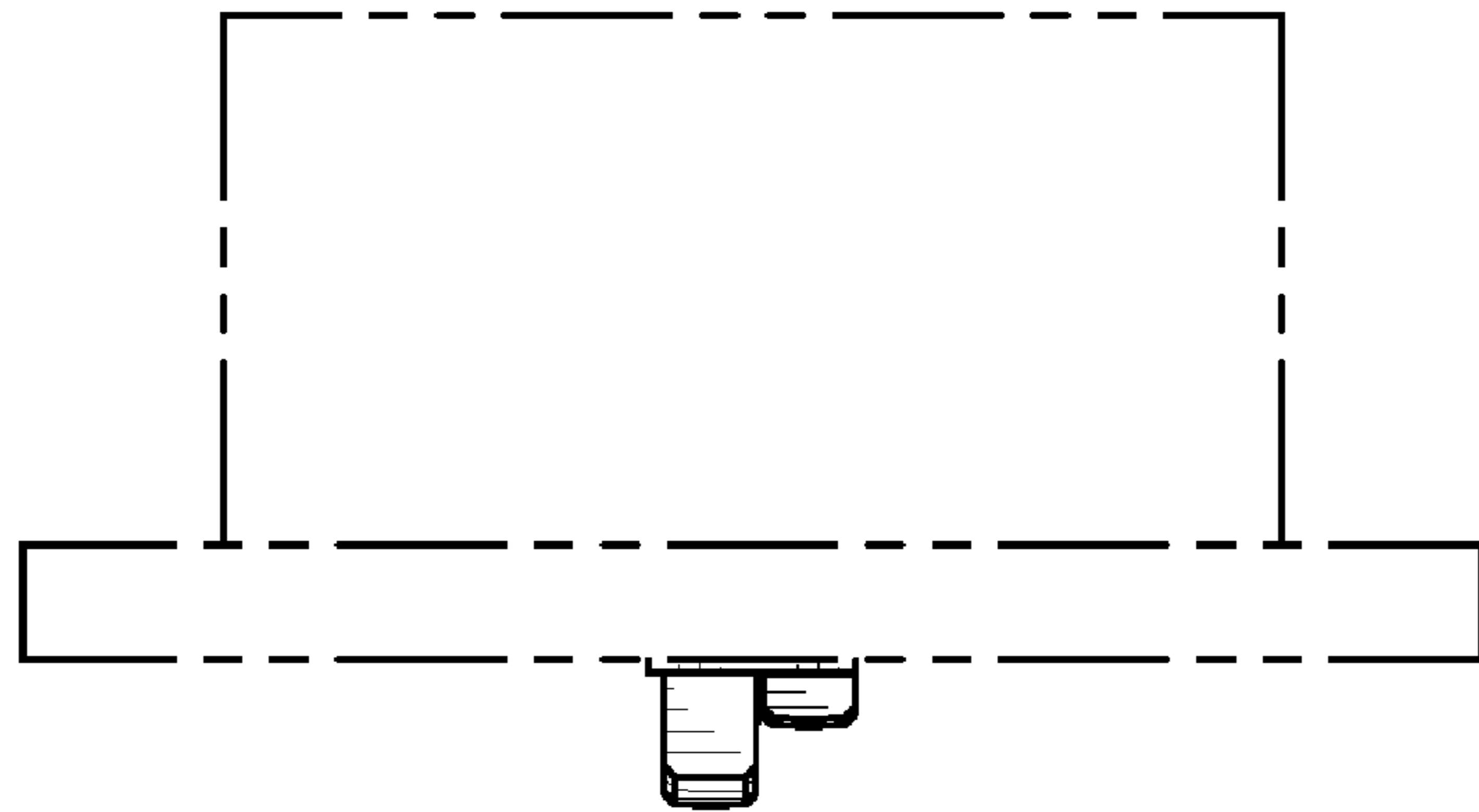


Fig. 5

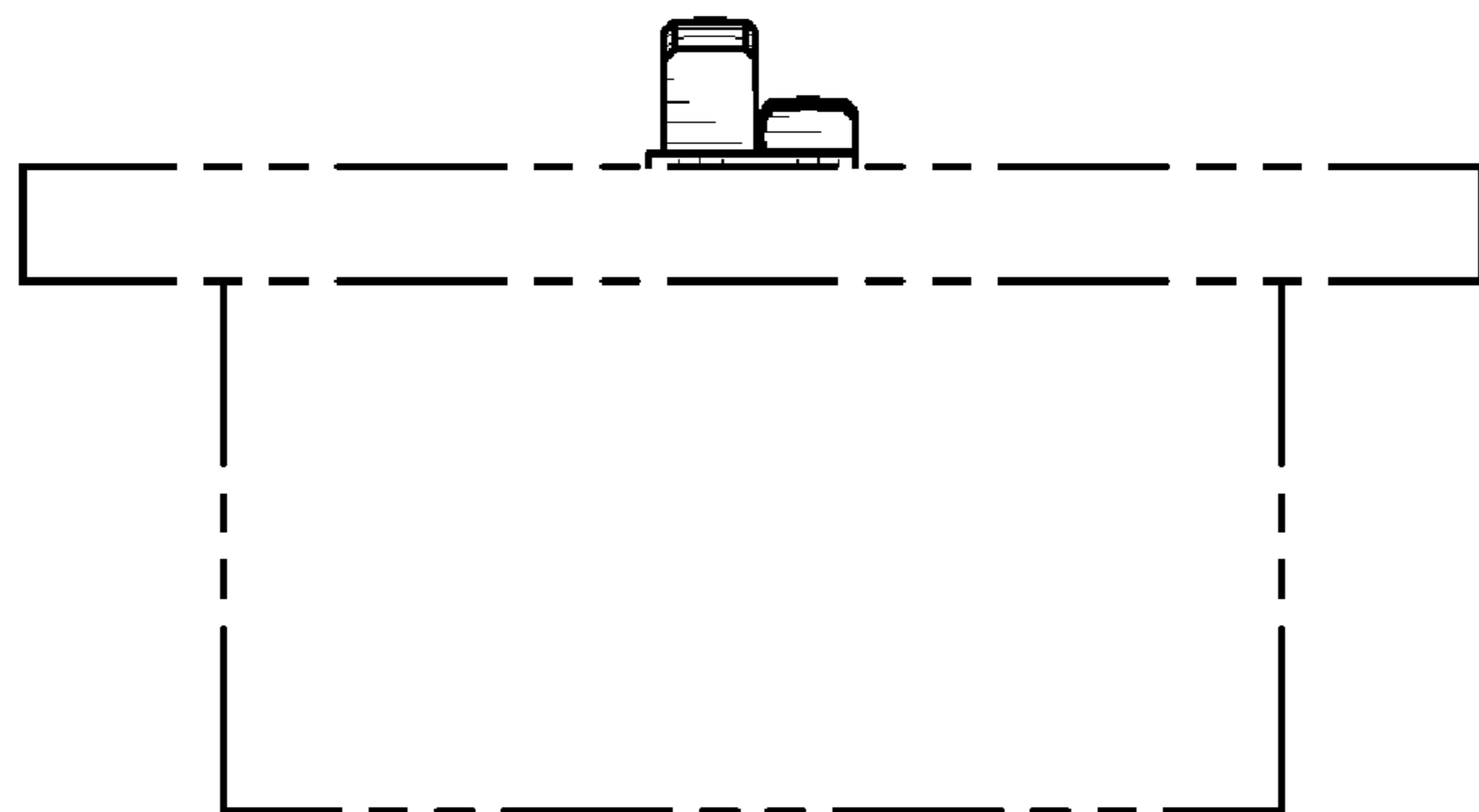


Fig. 6