



US00D566049S

(12) **United States Design Patent**
Radau et al.

(10) **Patent No.:** **US D566,049 S**

(45) **Date of Patent:** **** Apr. 8, 2008**

(54) **DEVICE FOR CONTROLLING**

(75) Inventors: **Nils Radau**, Salzburg (AT); **Joerg Schaefer**, Rheinbach (DE); **Wilfried Kuepper**, Bad Neuenahr-Ahrweiler (DE); **Artur Wiese**, Bornheim (DE)

(73) Assignee: **Moeller GmbH**, Bonn (DE)

(**) Term: **14 Years**

(21) Appl. No.: **29/280,333**

(22) Filed: **May 24, 2007**

(30) **Foreign Application Priority Data**

Nov. 24, 2006 (DE) 4 06 05 979

(51) **LOC (8) Cl.** **13-03**

(52) **U.S. Cl.** **D13/162**

(58) **Field of Classification Search** D13/110,
D13/123, 147, 151, 158-177, 184; D14/240,
D14/433, 434, 356-358; 361/686; 439/639,
439/271, 535, 652, 715-716, 736
See application file for complete search history.

(56) **References Cited**

U.S. PATENT DOCUMENTS

D211,952 S * 8/1968 Eettinger D13/110
D281,493 S * 11/1985 Prager et al. D13/162.1
4,558,914 A * 12/1985 Prager et al. 439/259
D338,448 S * 8/1993 Onyszko D13/162
5,984,734 A * 11/1999 Piper et al. 439/717

6,172,875 B1 * 1/2001 Suzuki et al. 361/729
D464,326 S * 10/2002 Clark et al. D13/162
D491,142 S * 6/2004 Stekelenburg D13/138.1
D537,044 S * 2/2007 Weitz et al. D13/151
D537,794 S * 3/2007 Sasaki et al. D13/159
D541,754 S * 5/2007 Sasaki et al. D13/159
D548,193 S * 8/2007 Sandgren et al. D13/162
2006/0256541 A1 * 11/2006 Sandgren et al. 361/796

* cited by examiner

Primary Examiner—Selina Sikder

Assistant Examiner—Thomas J Johannes

(74) *Attorney, Agent, or Firm*—Darby & Darby

(57) **CLAIM**

The ornamental design for a device for controlling, as shown and described.

DESCRIPTION

FIG. 1 is a front, top and right side perspective view of the device for controlling showing my new design;

FIG. 2 is a bottom, right side and rear perspective view thereof;

FIG. 3 is a left side view thereof;

FIG. 4 is a front view thereof; and,

FIG. 5 is a top view thereof.

The broken line showing in the figure drawings is included for illustrative purposes only and forms no part of the claimed design.

1 Claim, 4 Drawing Sheets

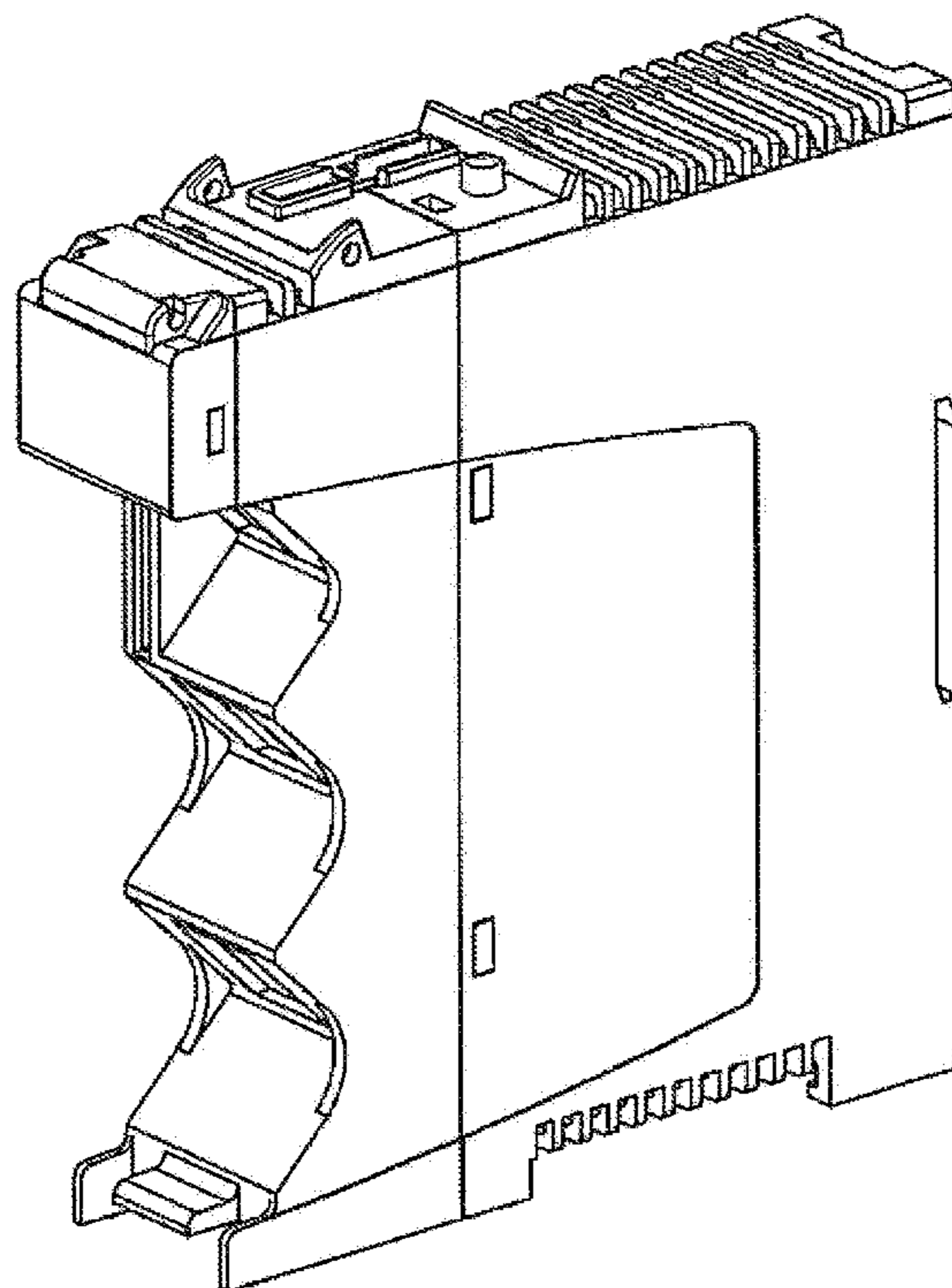


Fig. 1

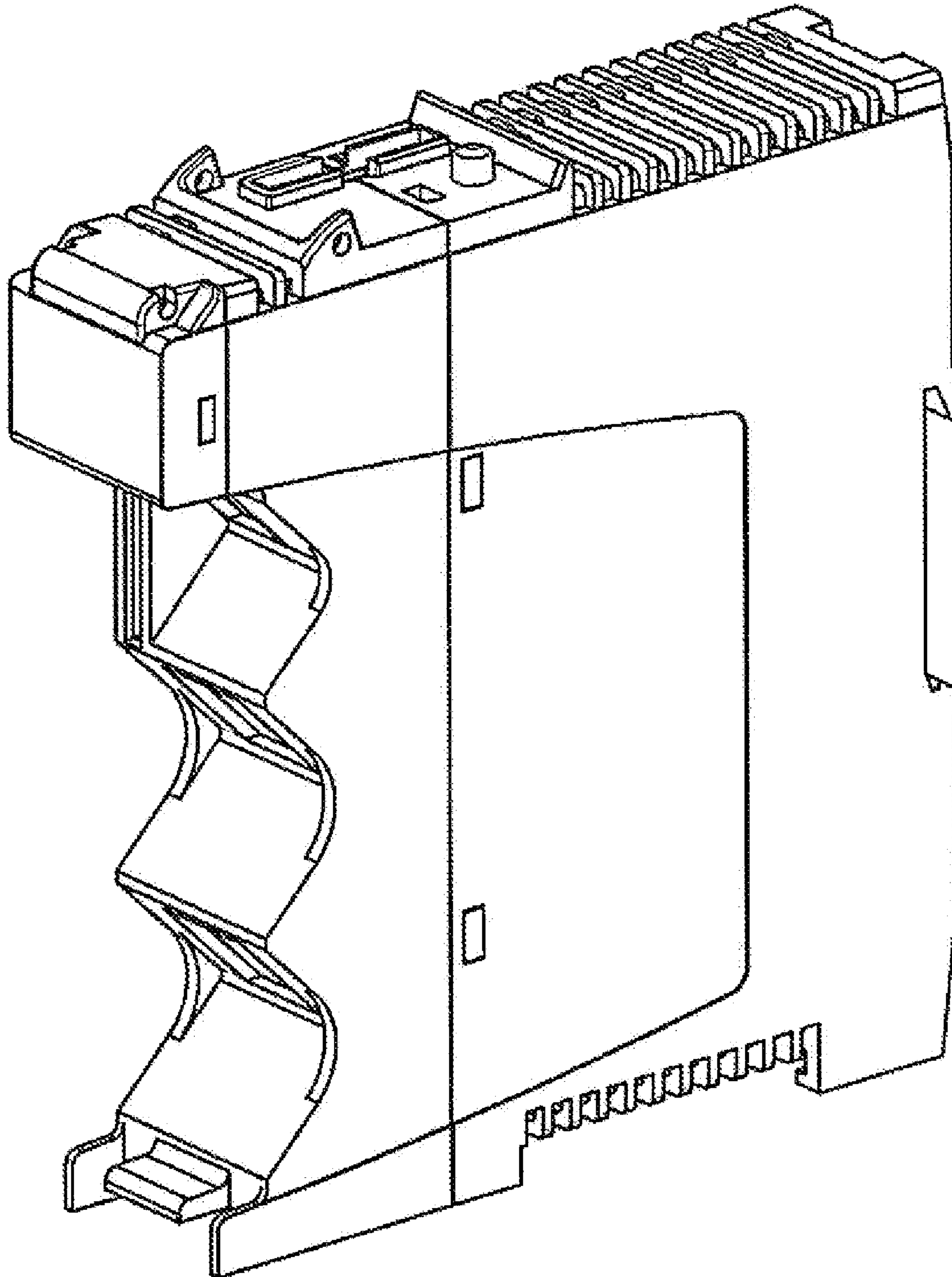


Fig. 2

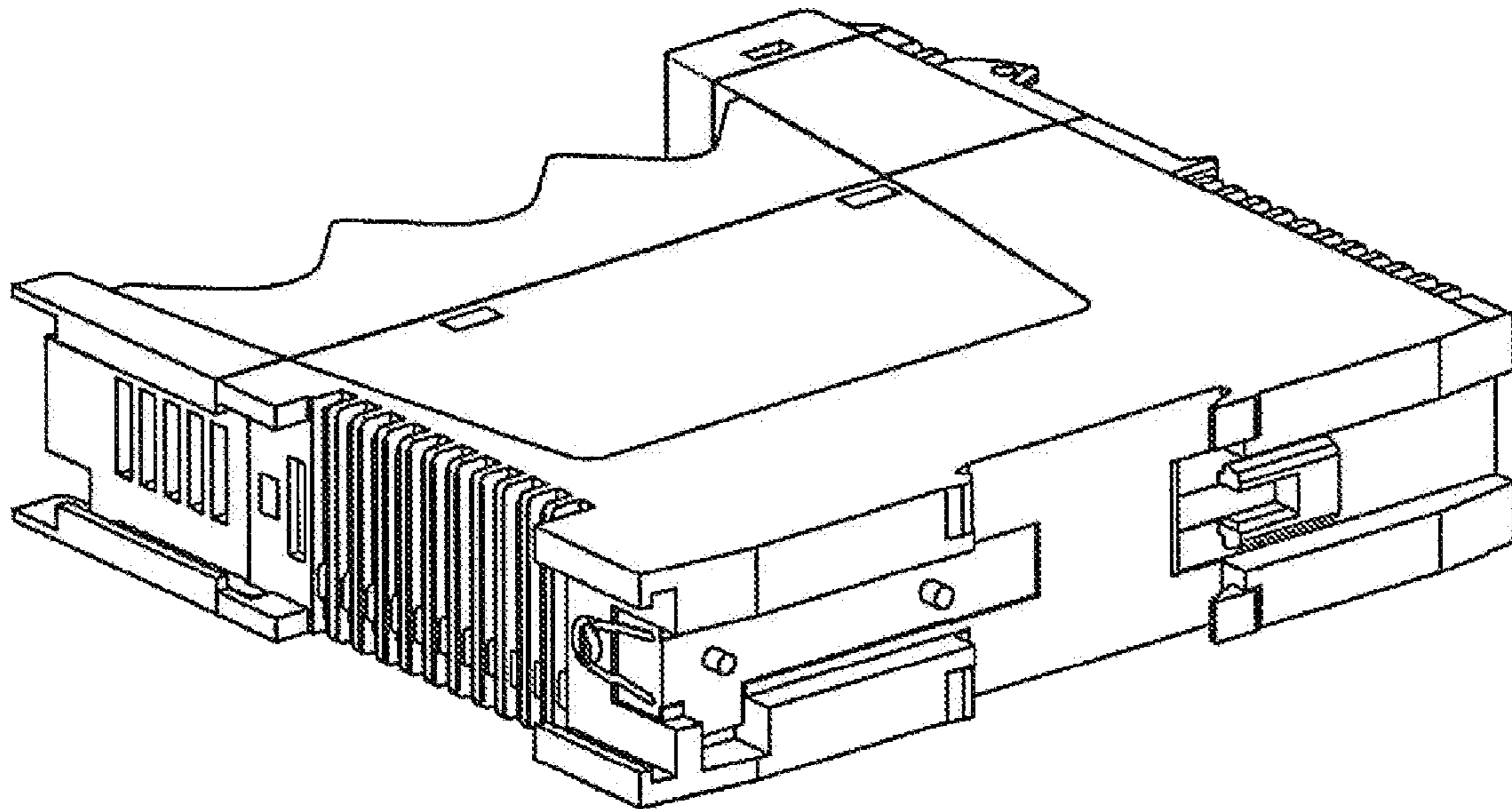


Fig. 3

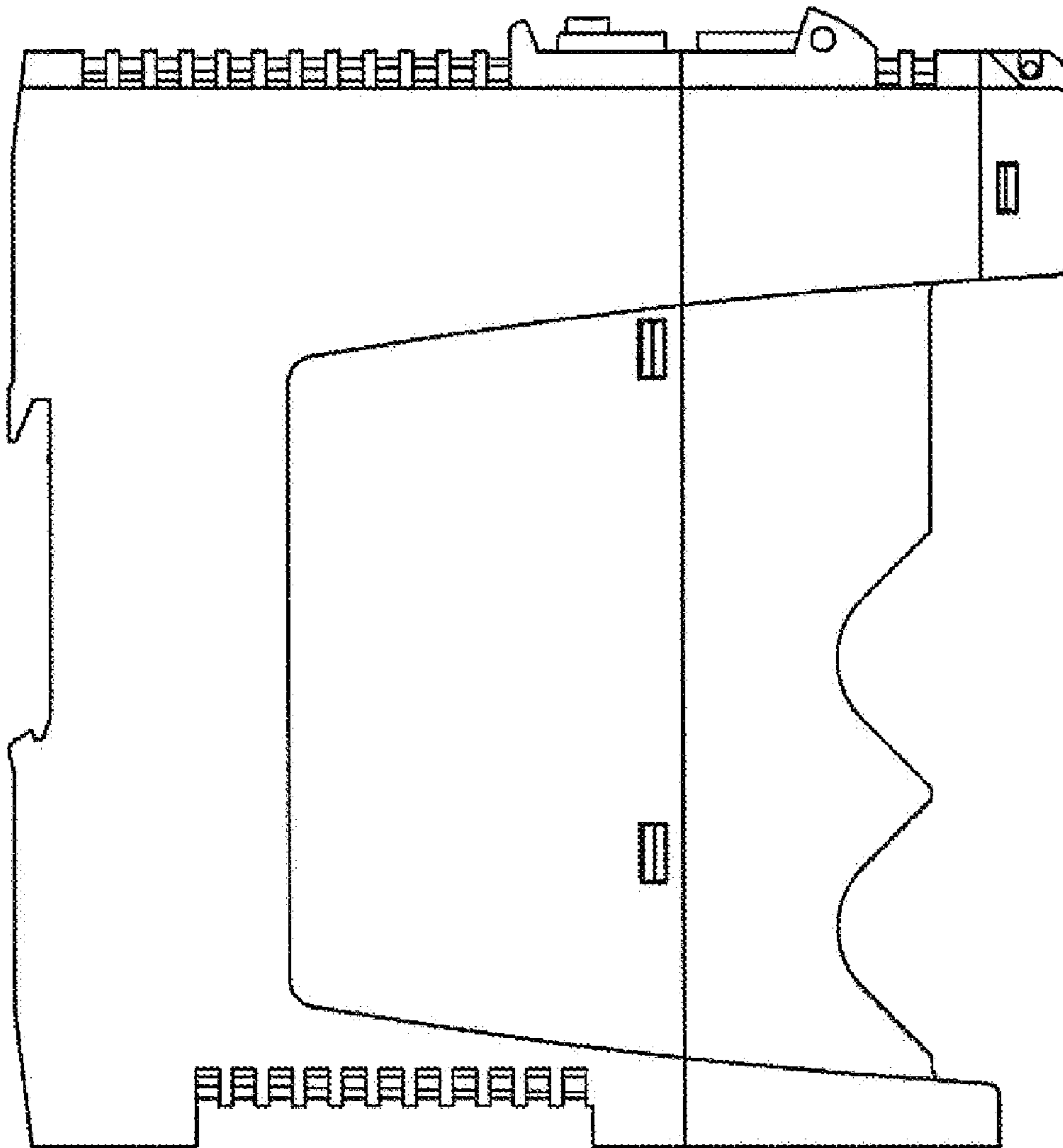


Fig. 4

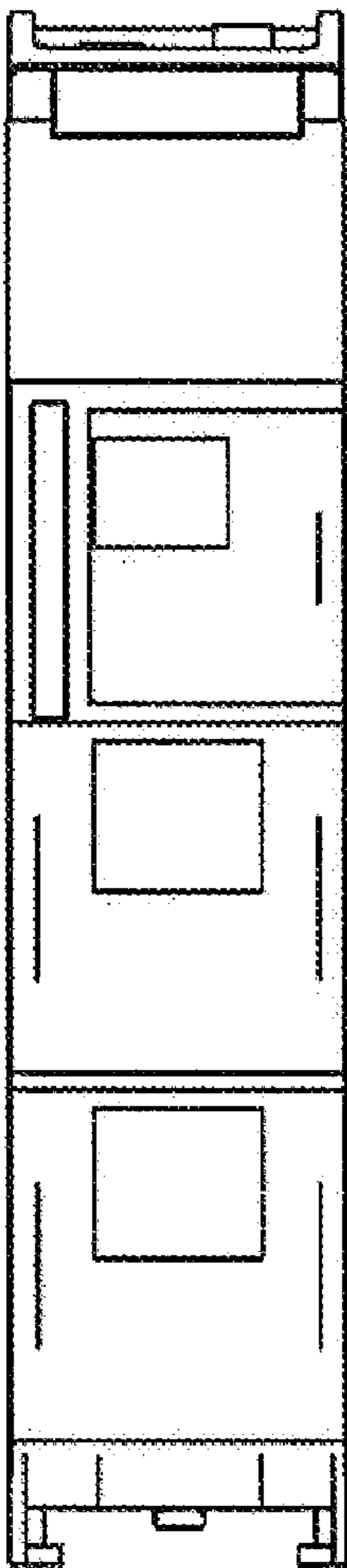


Fig. 5

