

US00D566048S

(12) **United States Design Patent** (10) **Patent No.:** **US D566,048 S**
Mace et al. (45) **Date of Patent:** **** *Apr. 8, 2008**

(54) **DIMMER SWITCH**

(75) Inventors: **Eric Johnathan Mace**, Whitehall, PA (US); **John Hewson**, Philadelphia, PA (US)

(73) Assignee: **Lutron Electronics Co., Inc.**, Coopersburg, PA (US)

(*) Notice: This patent is subject to a terminal disclaimer.

(**) Term: **14 Years**

(21) Appl. No.: **29/267,915**

(22) Filed: **Oct. 25, 2006**

(51) **LOC (8) Cl.** **13-03**

(52) **U.S. Cl.** **D13/162; D13/171**

(58) **Field of Classification Search** D13/162, D13/170, 171; 174/66; 200/5 R, 520, 530, 200/531, 536, 547, 550, 252, 293, 296, 315, 200/333, 314, 335, 329, 341; 338/176; 307/125, 307/139; 315/291-296

See application file for complete search history.

(56) **References Cited**

U.S. PATENT DOCUMENTS

5,248,919 A 9/1993 Hanna et al.
D353,798 S 12/1994 Bryde et al.

(Continued)

OTHER PUBLICATIONS

Lutron Electronics, Switching Systems Technical Guide, Aug. 2004, pp. front cover, 51, rear cover.

(Continued)

Primary Examiner—Selina Sikder

(74) *Attorney, Agent, or Firm*—Mark E. Rose

(57) **CLAIM**

We claim the ornamental design for a dimmer switch, as shown and described.

DESCRIPTION

FIG. 1 is a perspective view of a dimmer switch according to a first embodiment of our new design.

FIG. 2 is a front view thereof.

FIG. 3 is a left side view thereof.

FIG. 4 is a right side view thereof.

FIG. 5 is a top view thereof.

FIG. 6 is a bottom view thereof.

FIG. 7 is a perspective view of a dimmer switch according to a second embodiment of our new design.

FIG. 8 is a front view thereof.

FIG. 9 is a left side view thereof.

FIG. 10 is a right side view thereof.

FIG. 11 is a top view thereof.

FIG. 12 is a bottom view thereof.

FIG. 13 is a perspective view of a dimmer switch according to a third embodiment of our new design.

FIG. 14 is a front view thereof.

FIG. 15 is a left side view thereof.

FIG. 16 is a right side view thereof.

FIG. 17 is a top view thereof.

FIG. 18 is a bottom view thereof.

FIG. 19 is a perspective view of a dimmer switch according to a fourth embodiment of our new design.

FIG. 20 is a front view thereof.

FIG. 21 is a left side view thereof.

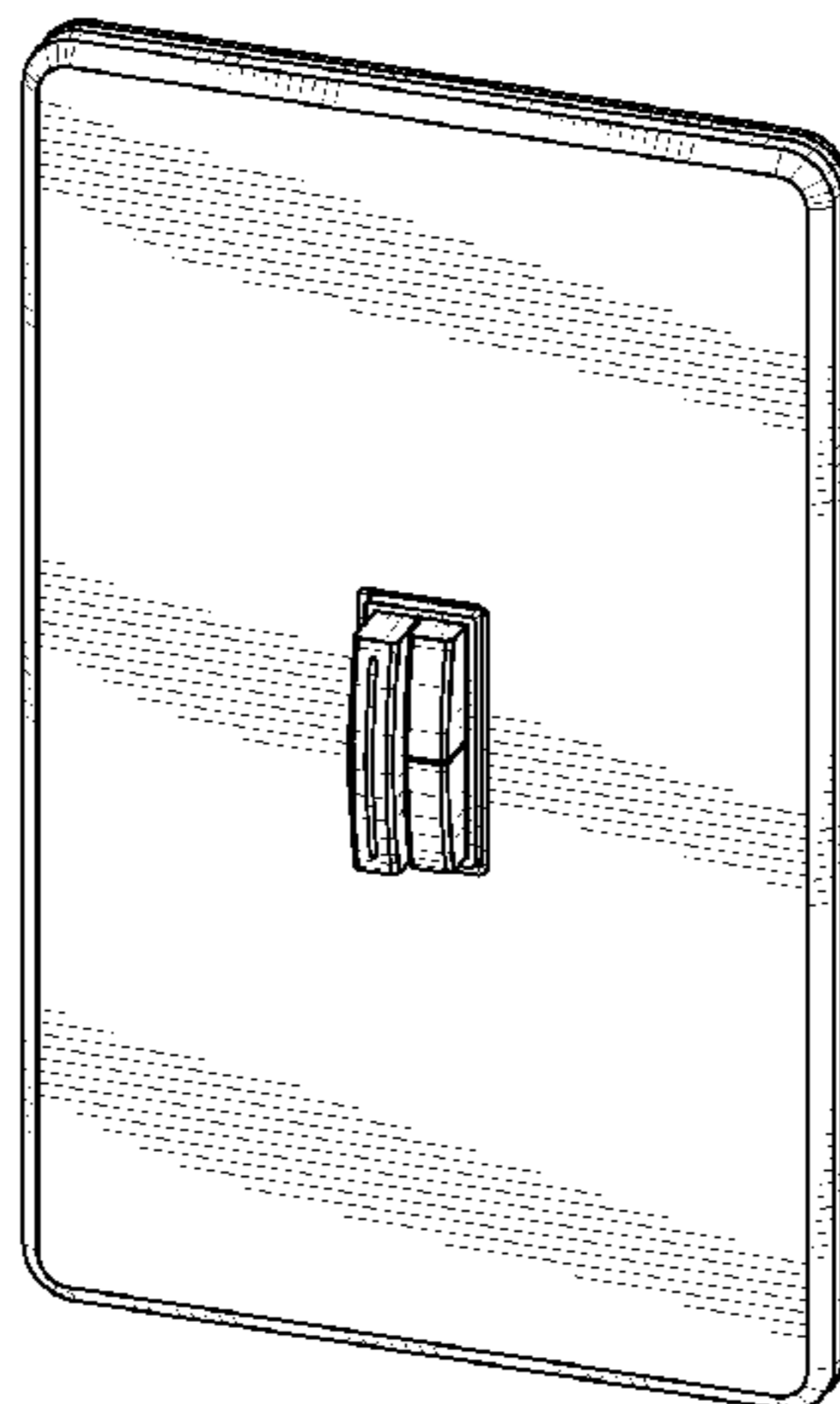
FIG. 22 is a right side view thereof.

FIG. 23 is a top view thereof; and,

FIG. 24 is a bottom view thereof.

The rear views form no part of the design and are omitted. The portions of the drawings appearing in broken line are for environment only and do not form a part of the design.

1 Claim, 16 Drawing Sheets



US D566,048 S

Page 2

U.S. PATENT DOCUMENTS

D436,930 S *	1/2001	Butler	D13/162	D542,742 S *	5/2007	Spira	D13/170
D471,880 S	3/2003	Mayo et al.		D543,511 S *	5/2007	Altonen et al.	D13/162
D472,527 S	4/2003	Mayo et al.		2006/0273970 A1	12/2006	Mosebrook et al.	
D477,290 S	7/2003	Mayo et al.		2006/0284734 A1	12/2006	Newman, Jr.	
D477,573 S	7/2003	Mayo et al.		2007/0007826 A1	1/2007	Mosebrook et al.	
D477,578 S	7/2003	Mayo et al.					
D478,554 S	8/2003	Mayo et al.					
D479,206 S	9/2003	Spira et al.					
D479,207 S	9/2003	Mayo et al.					
6,727,446 B1	4/2004	Mayo et al.					
6,734,381 B2	5/2004	Mayo et al.					
D526,969 S	8/2006	Spira					
D534,872 S	1/2007	Spira					
D538,759 S	3/2007	Spira et al.					
D541,222 S *	4/2007	Mayo et al.	D13/162				

OTHER PUBLICATIONS

U.S. Appl. No. 29/237,393, filed Aug. 31, 2005, Spira et al.
U.S. Appl. No. 29/264,104, filed Aug. 3, 2006, Spira et al.
U.S. Appl. No. 29/256,275, filed Mar. 17, 2006, Mayo et al.
U.S. Appl. No. 29/256,270, filed Mar. 17, 2006, Altonen et al.
U.S. Appl. No. 60/783,529, filed Mar. 17, 2006, Altonen et al.
U.S. Appl. No. 60/783,528, filed Mar. 17, 2006, Hewson.

* cited by examiner

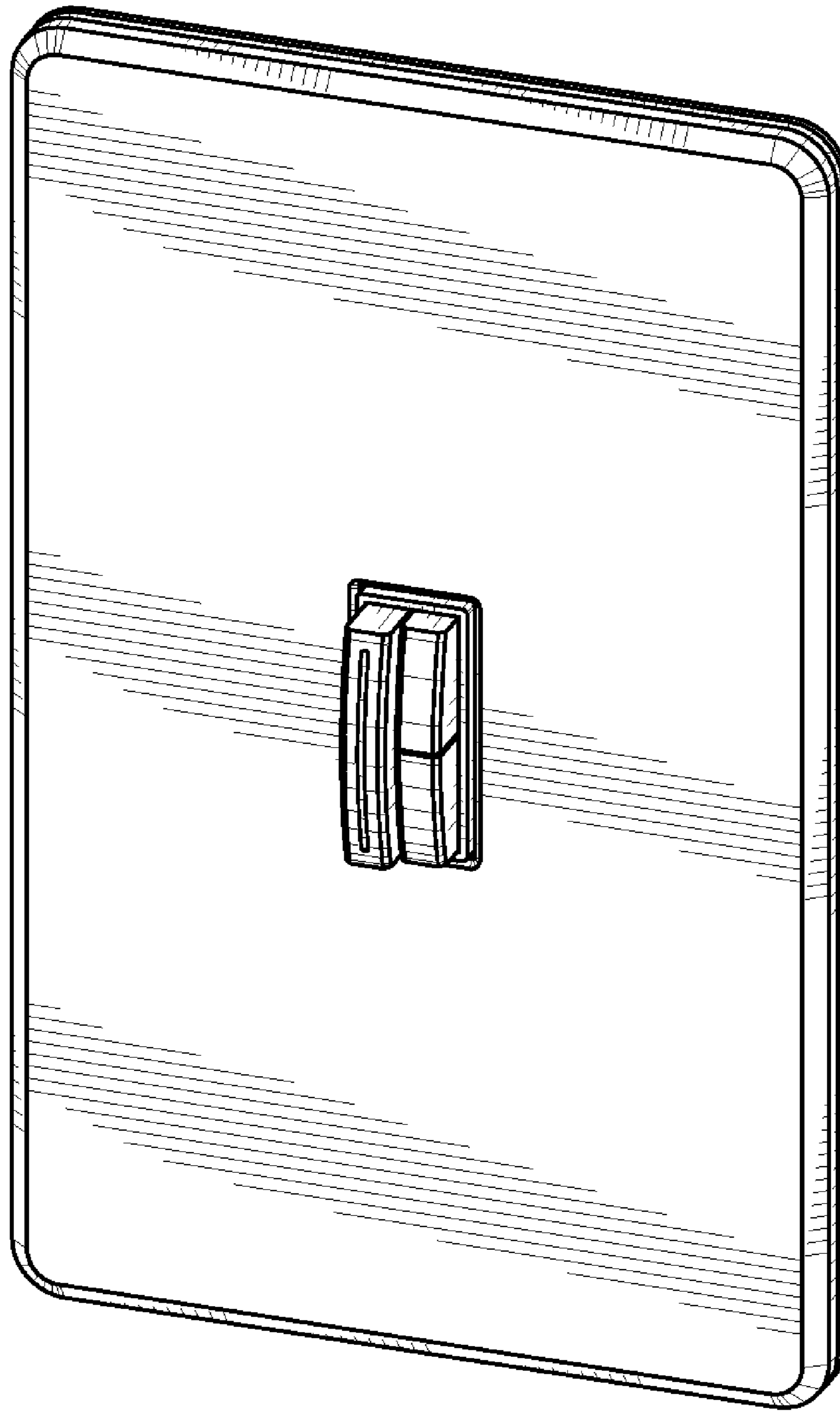


Fig. 1

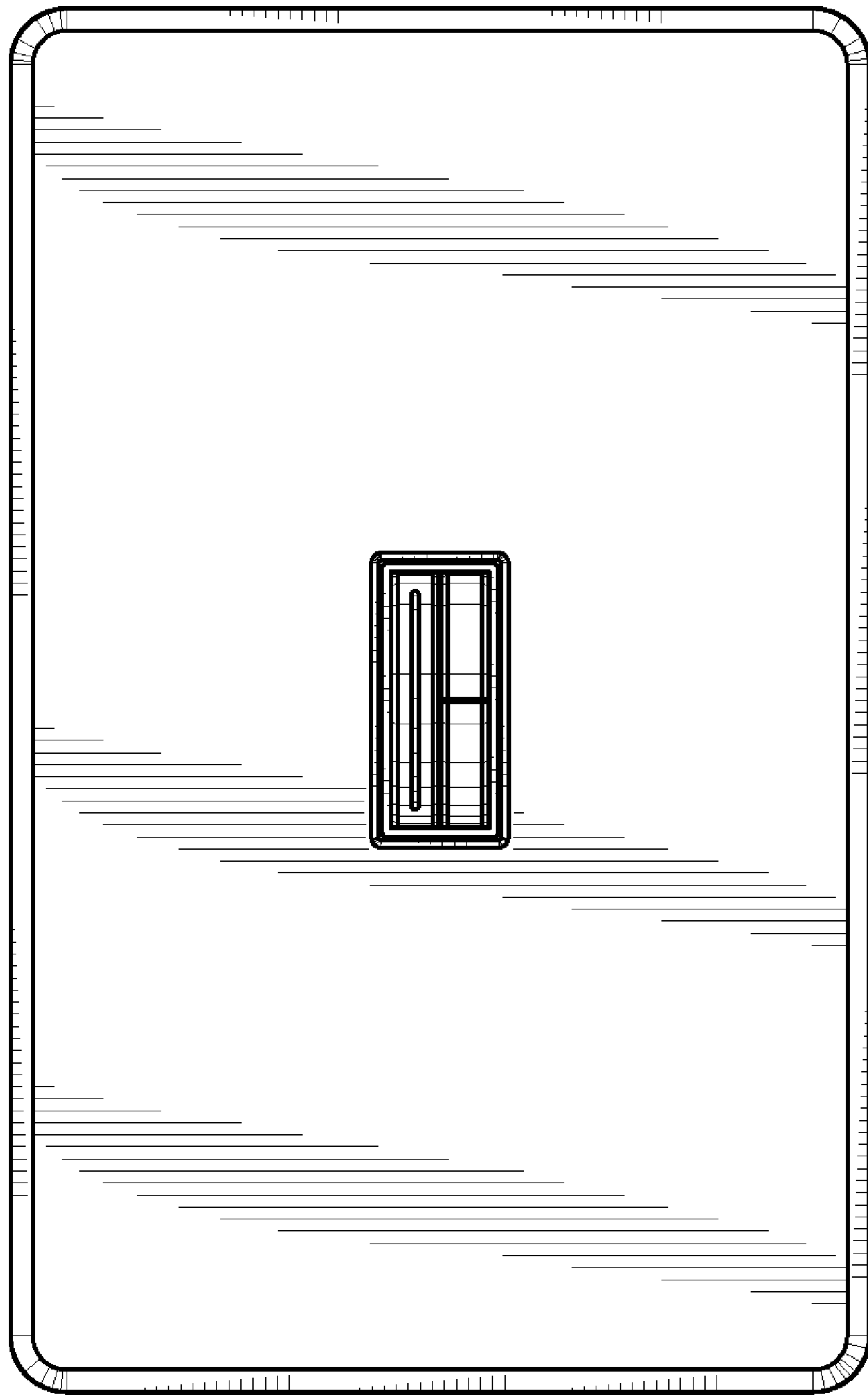


Fig. 2

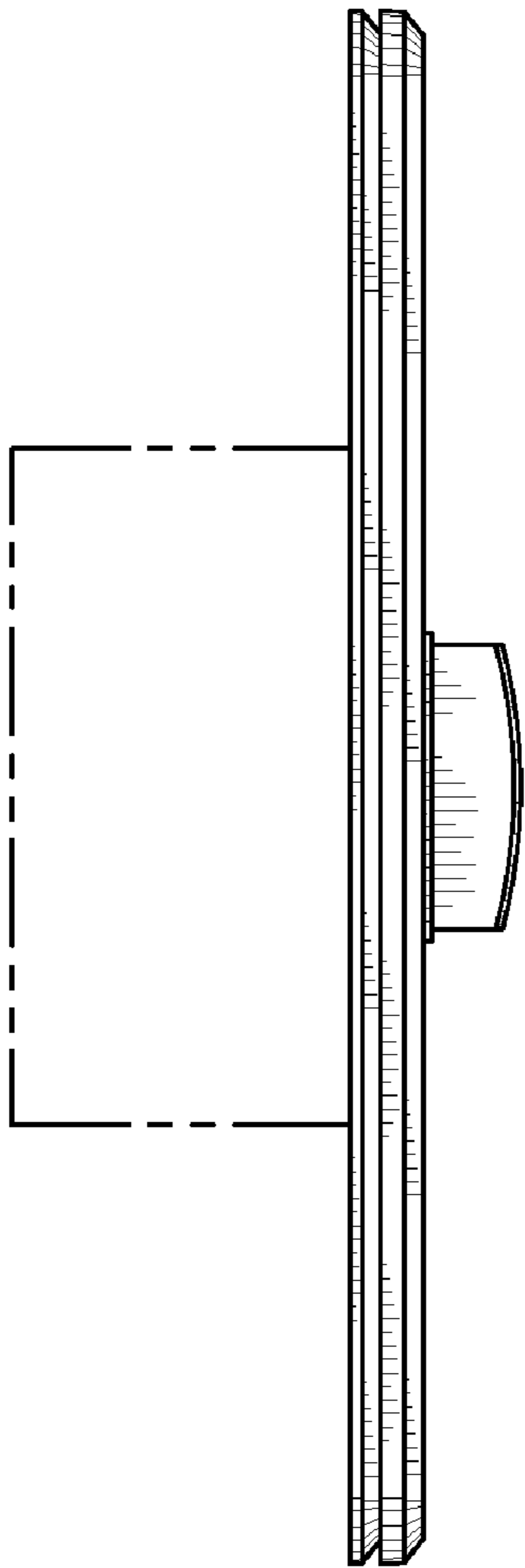


Fig. 3

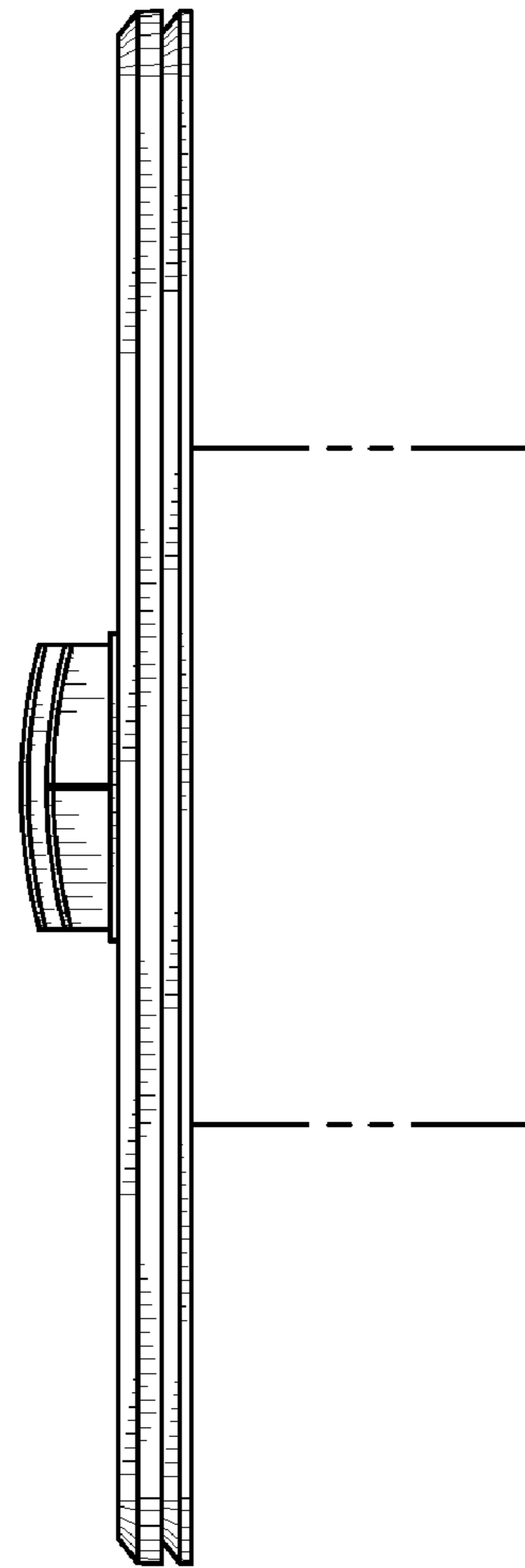


Fig. 4

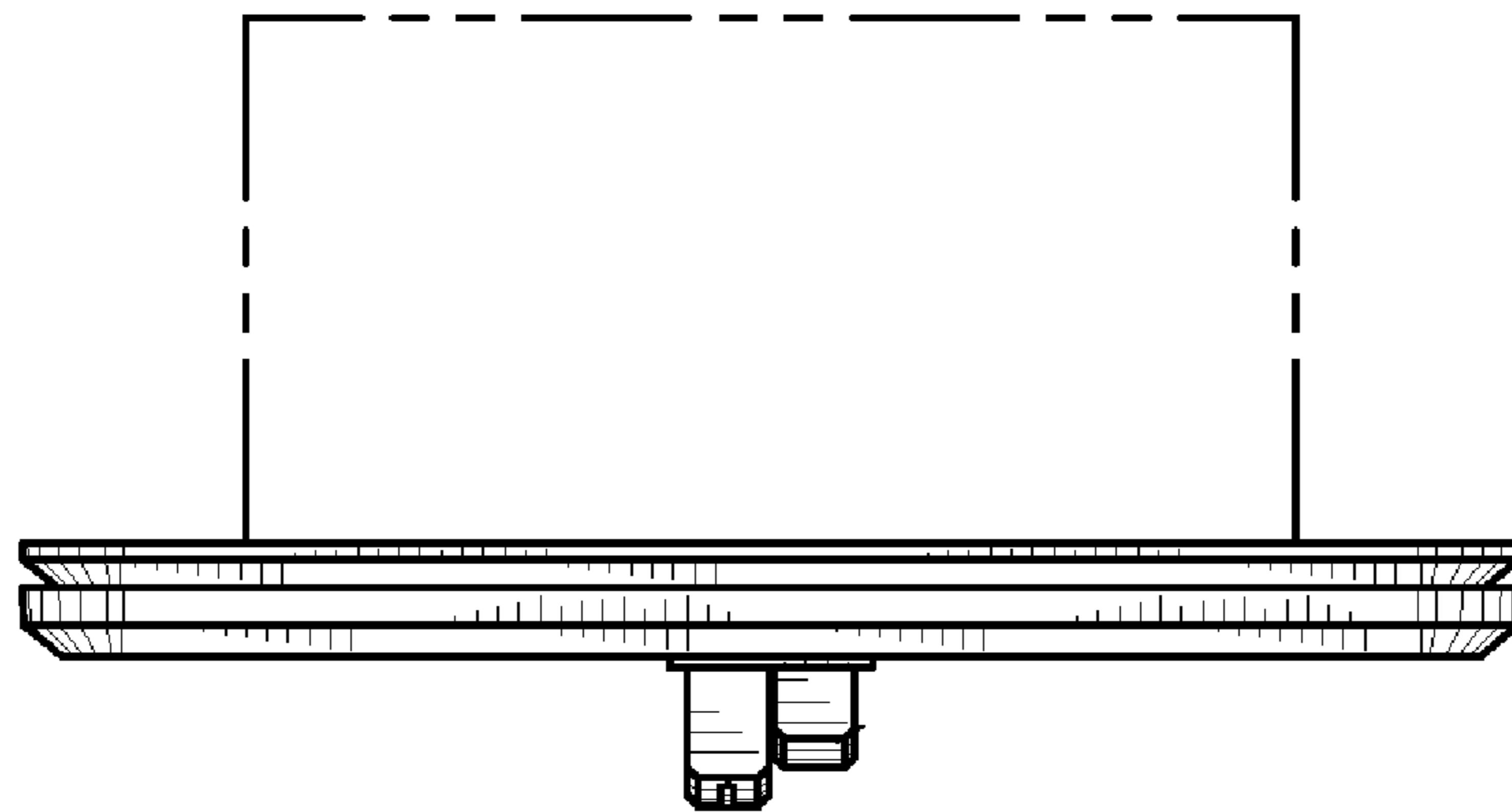


Fig. 5

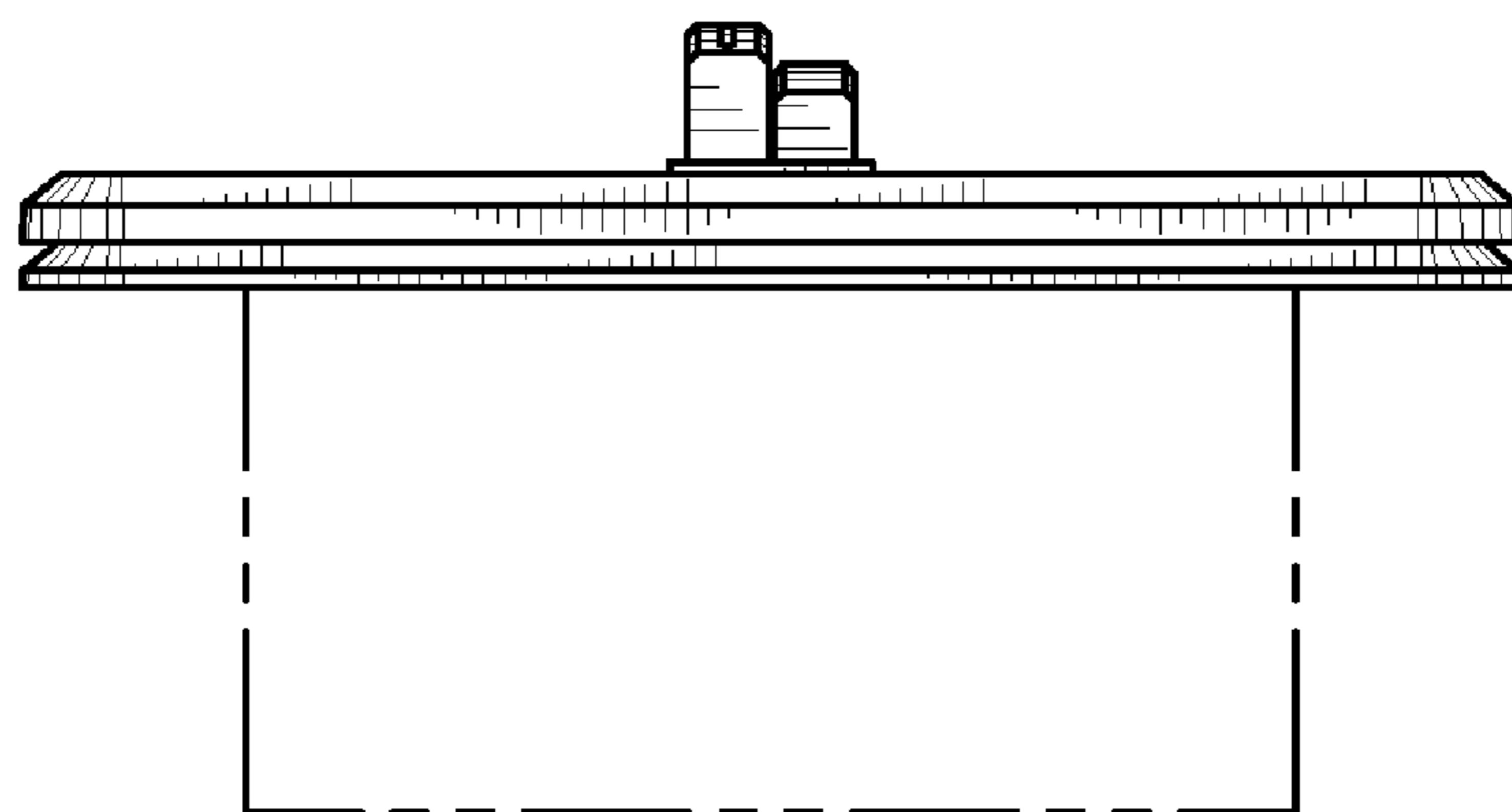


Fig. 6

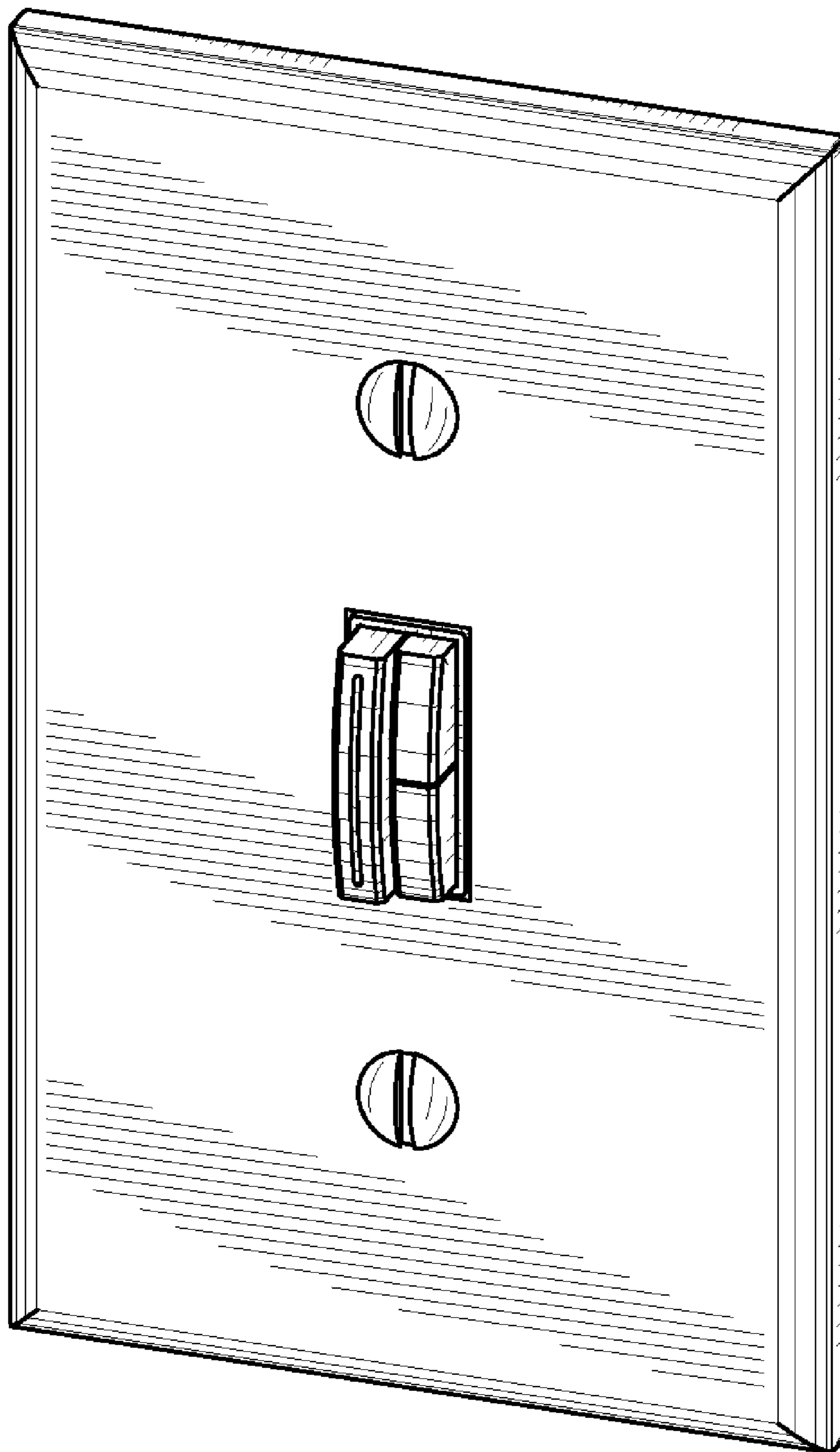


Fig. 7

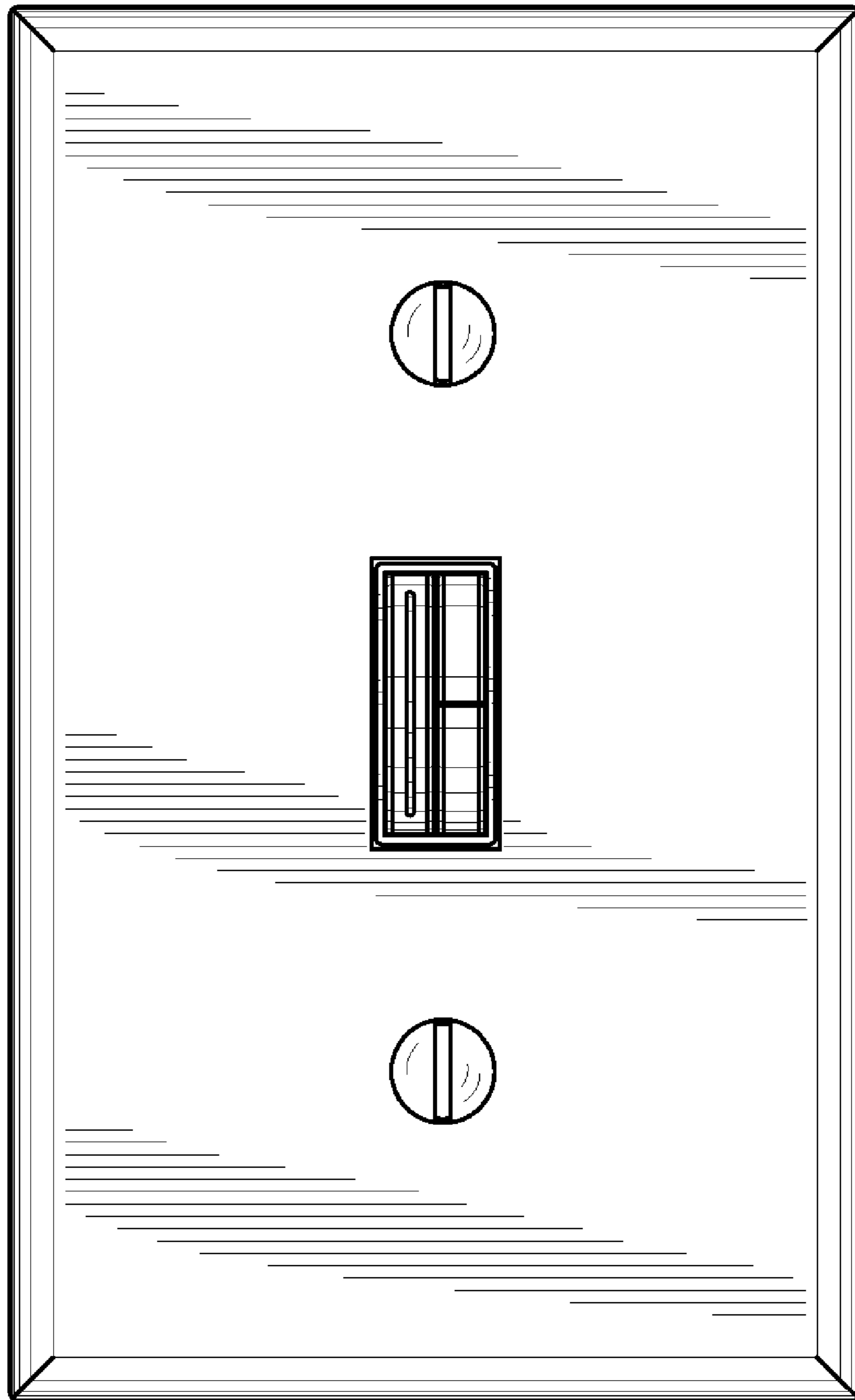


Fig. 8

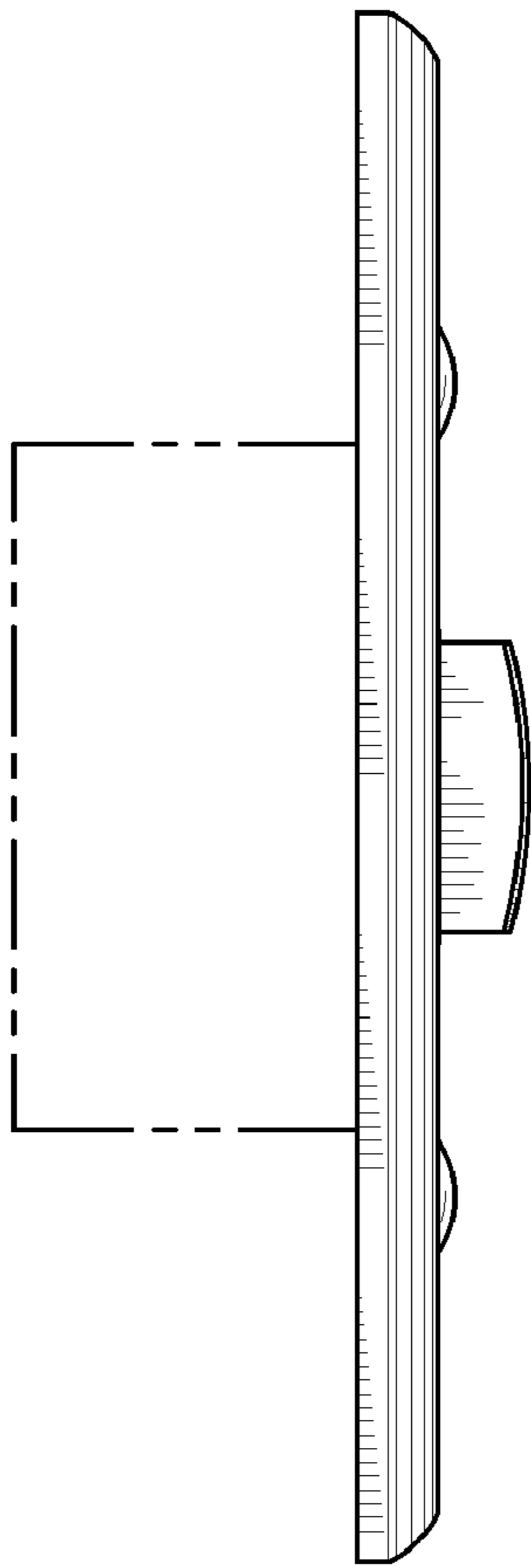


Fig. 9

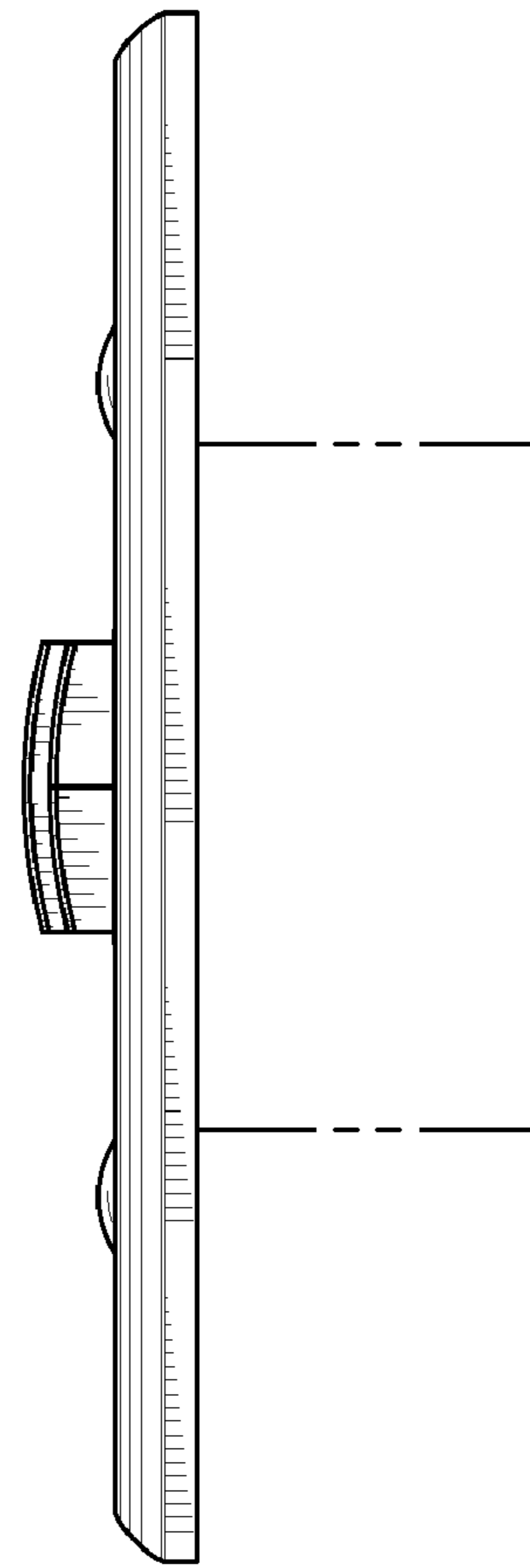


Fig. 10

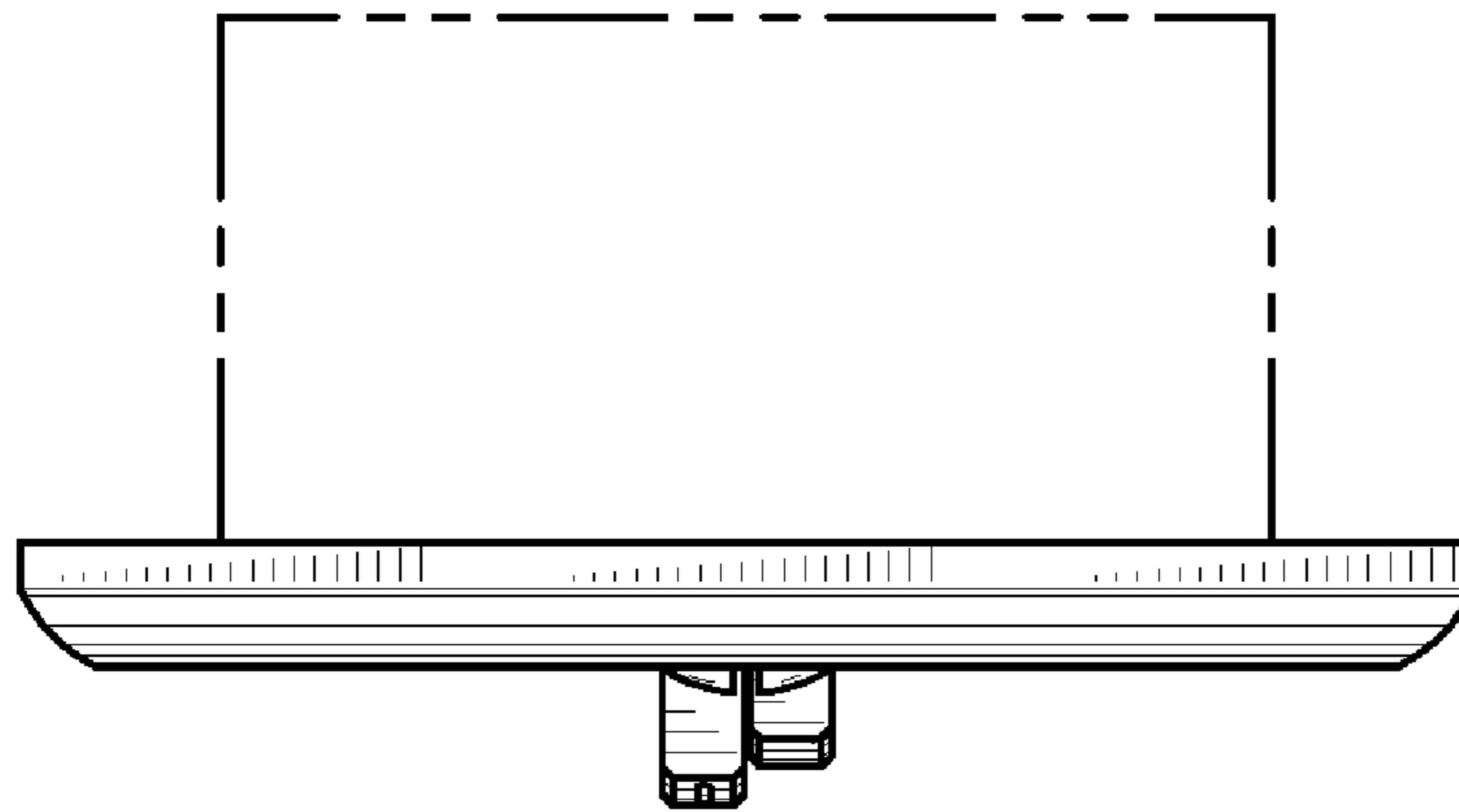


Fig. 11

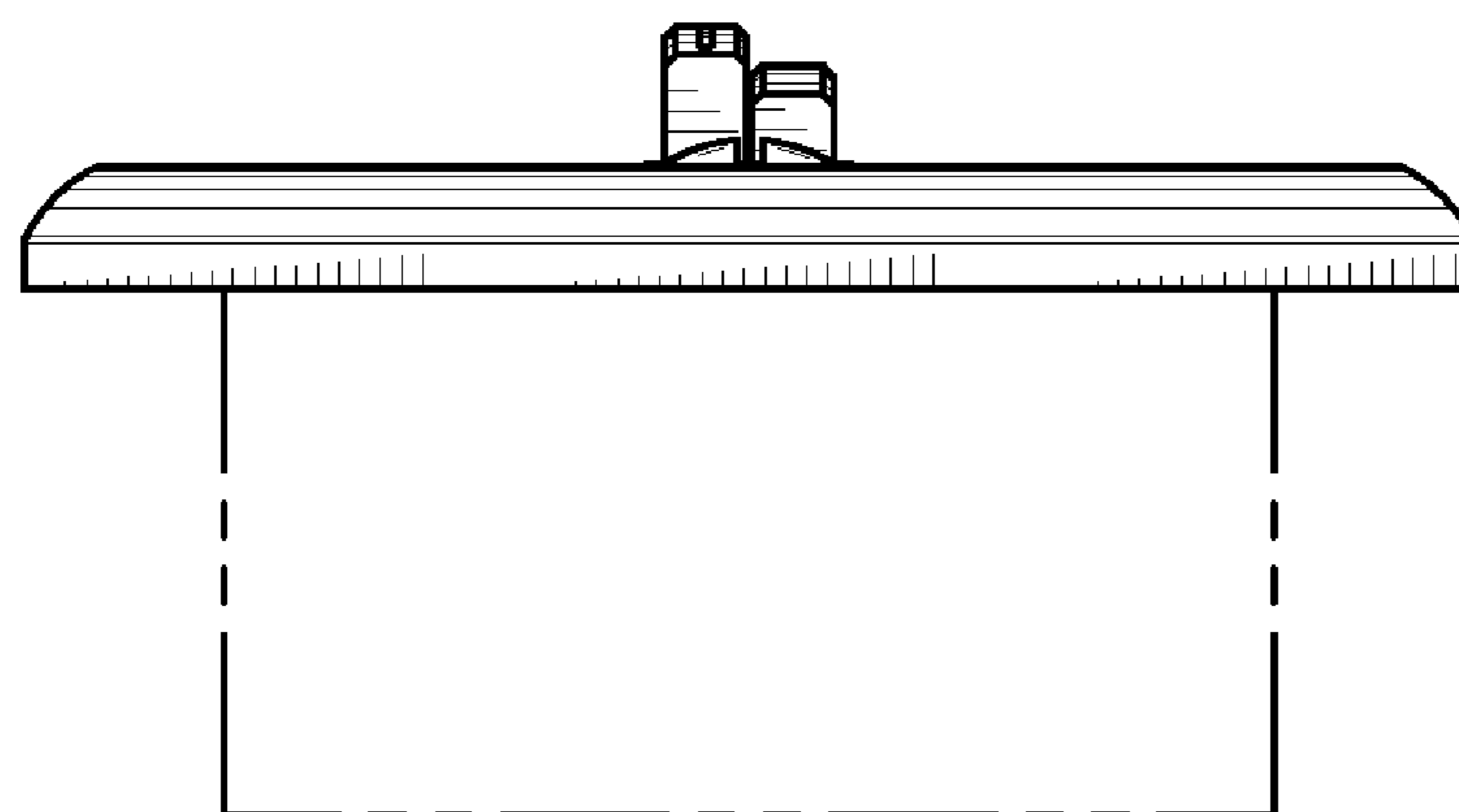


Fig. 12

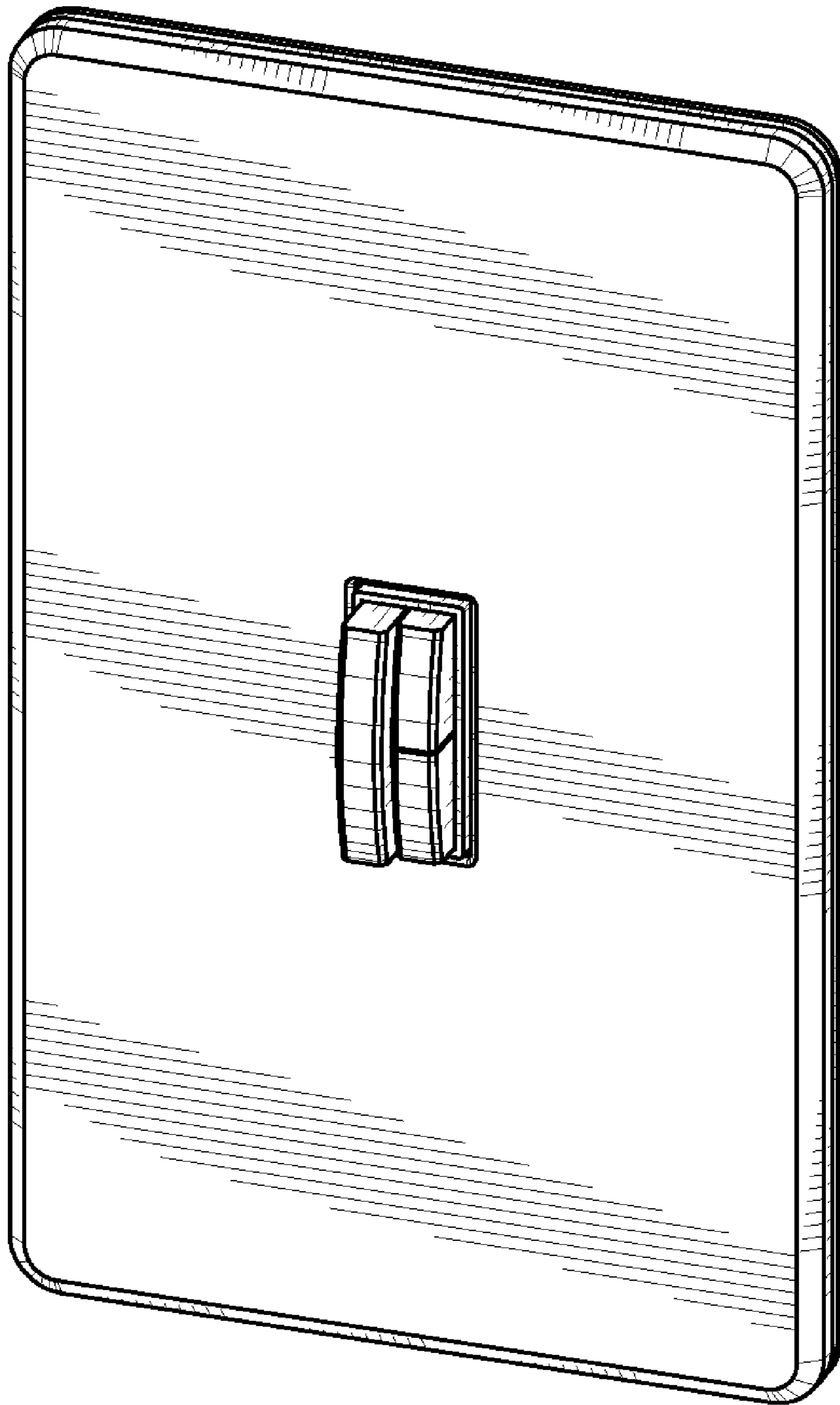


Fig. 13

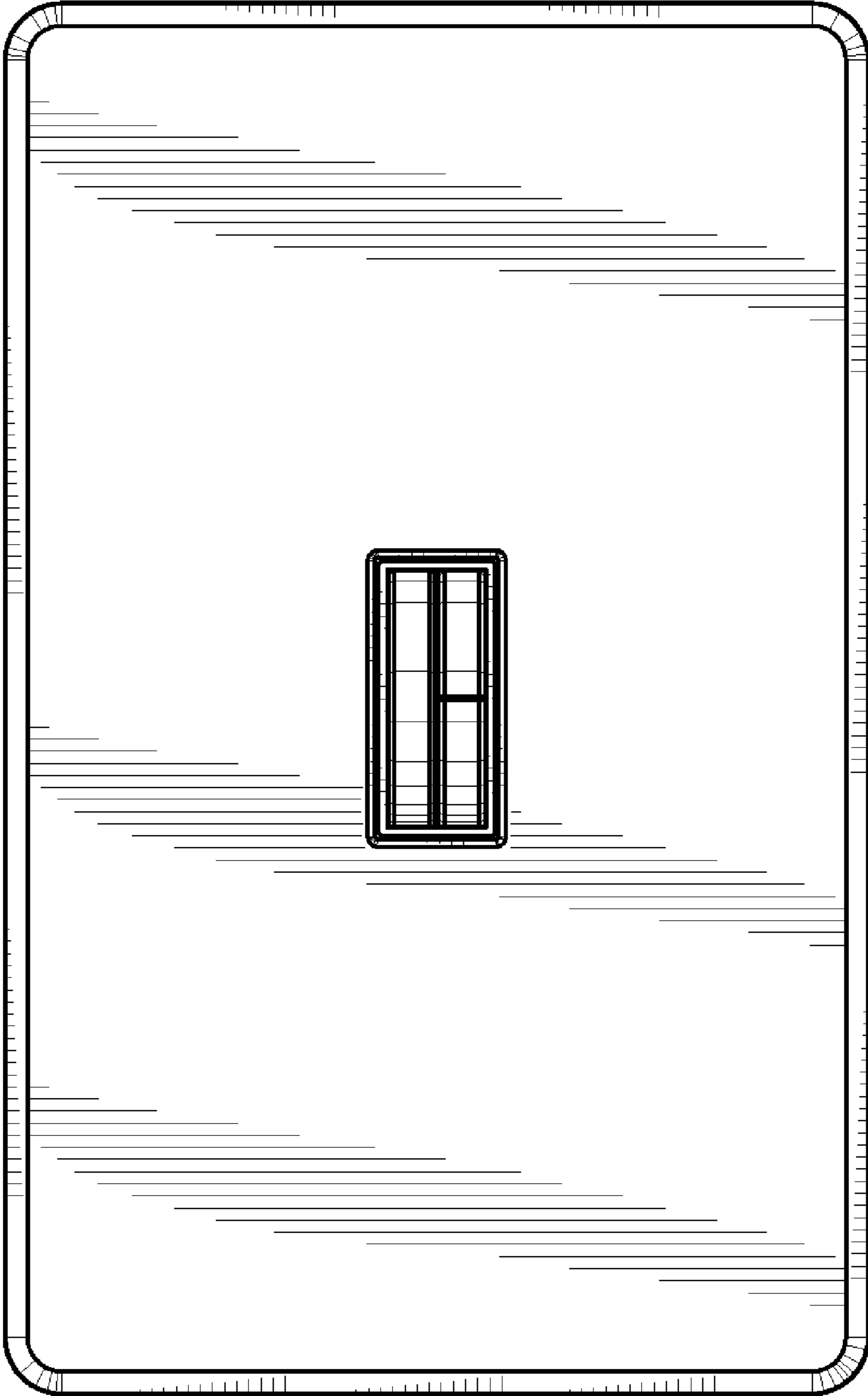


Fig. 14

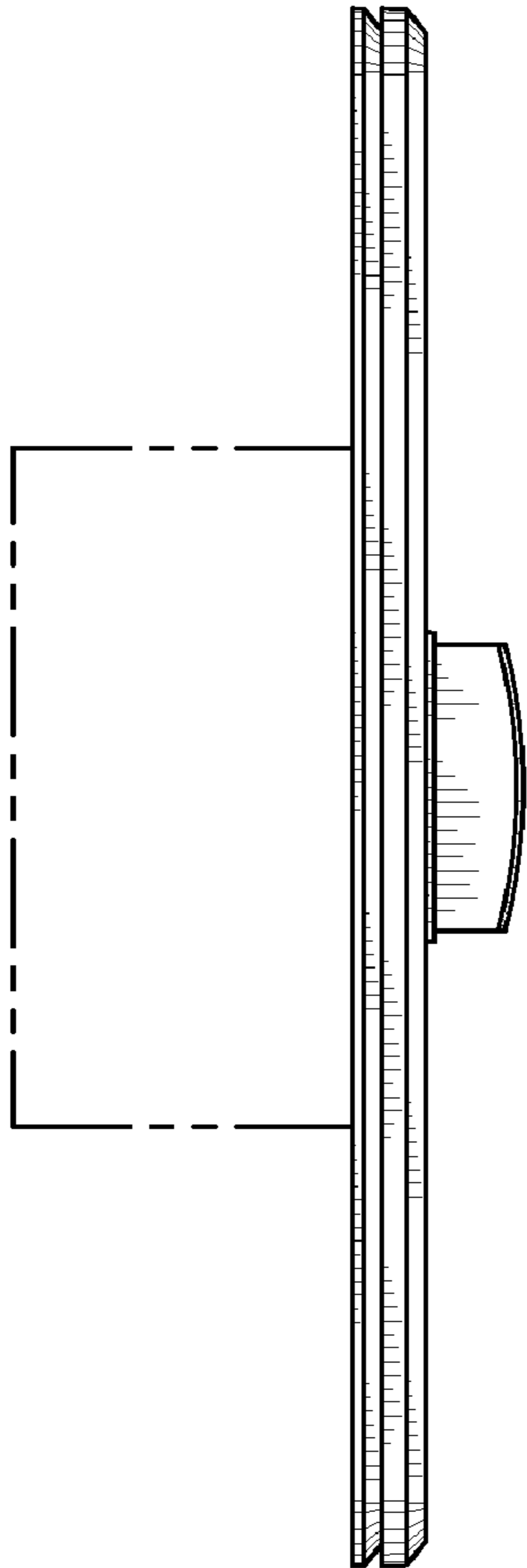


Fig. 15

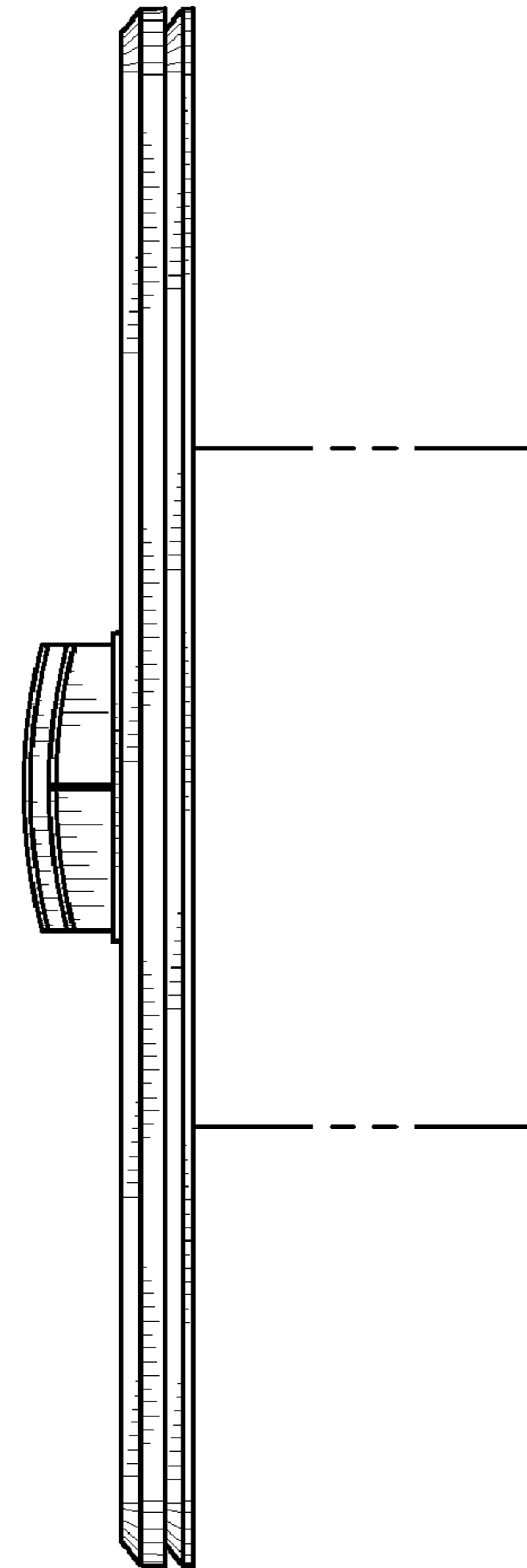


Fig. 16

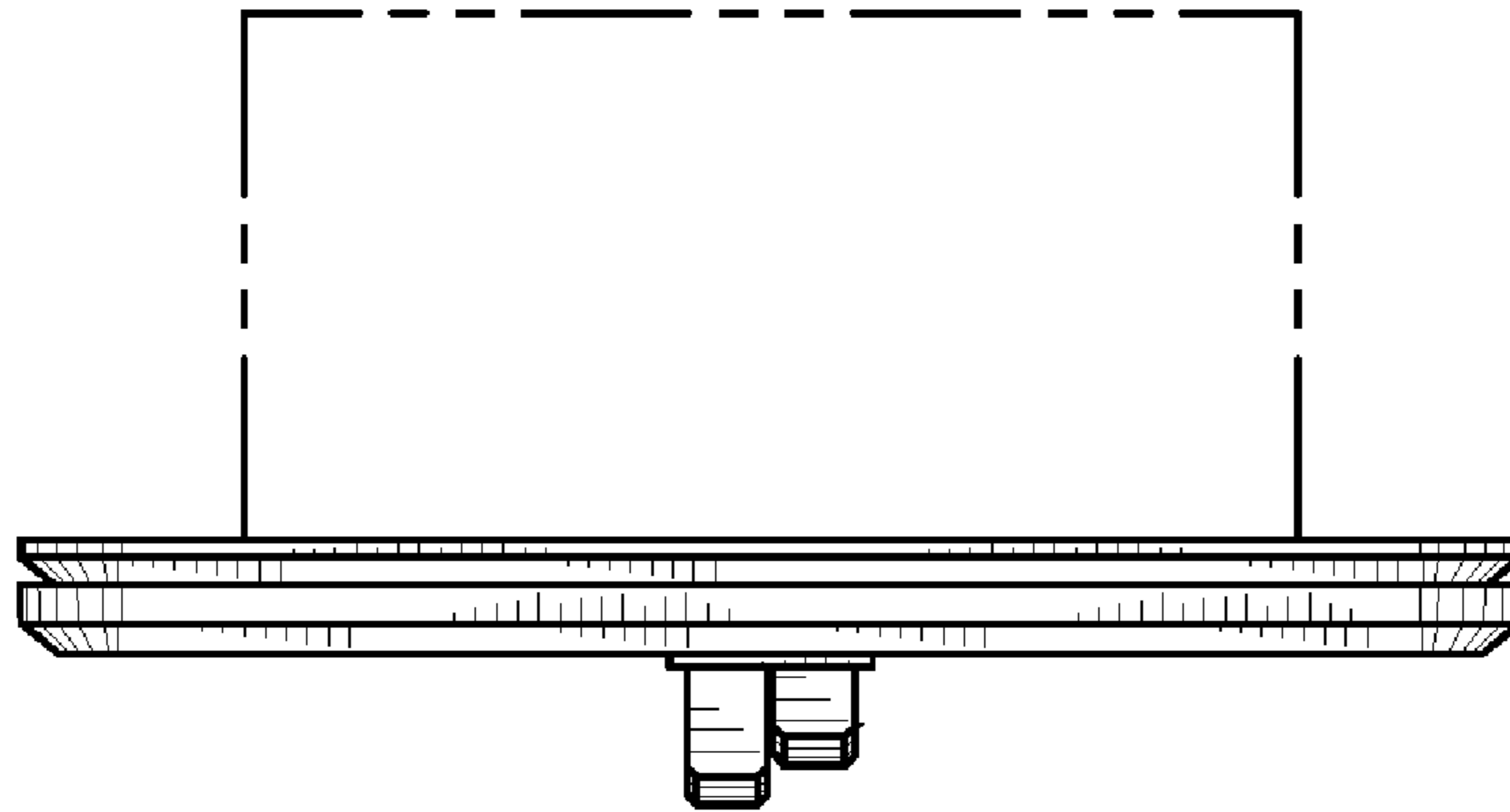


Fig. 17

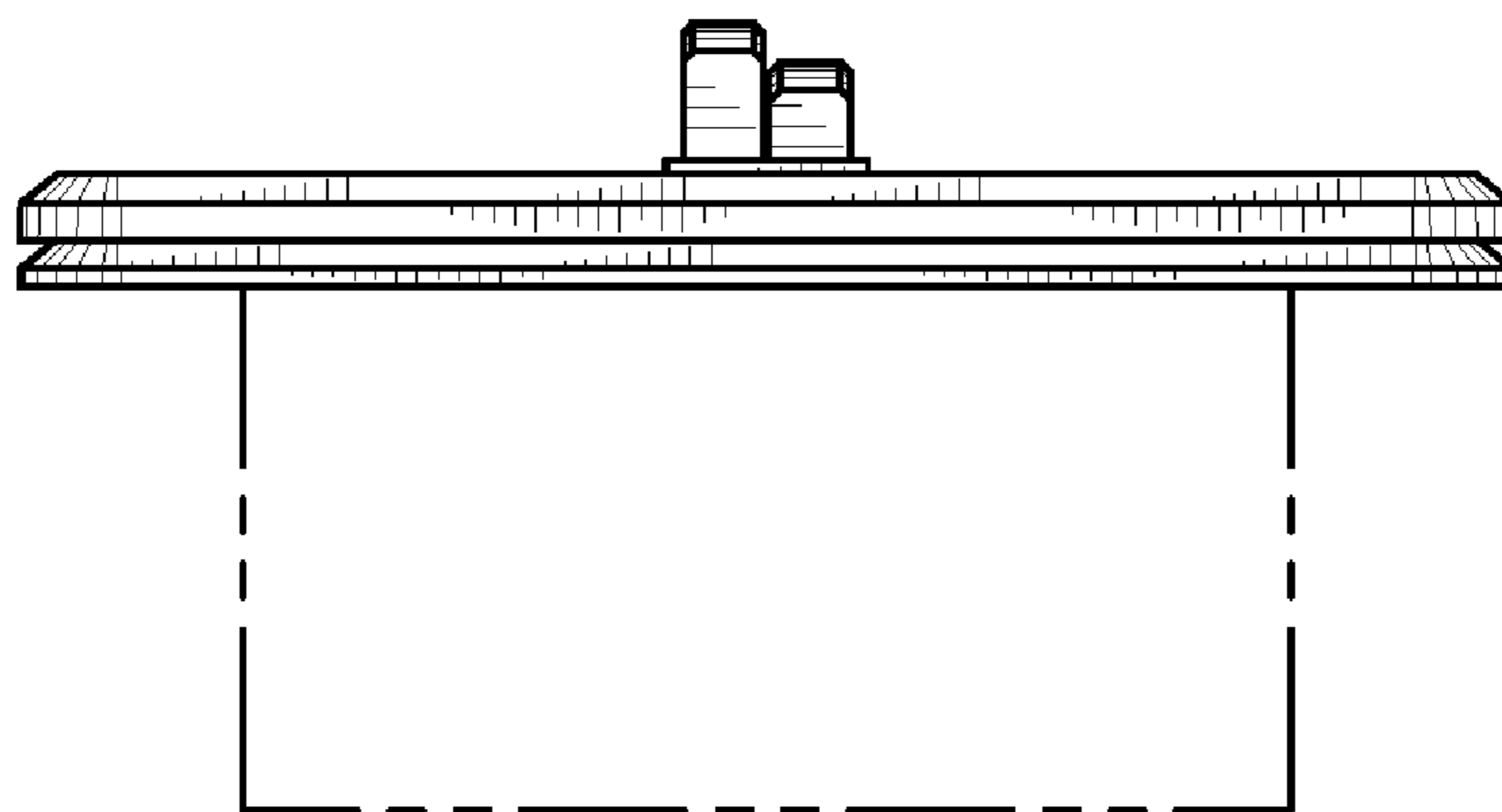


Fig. 18

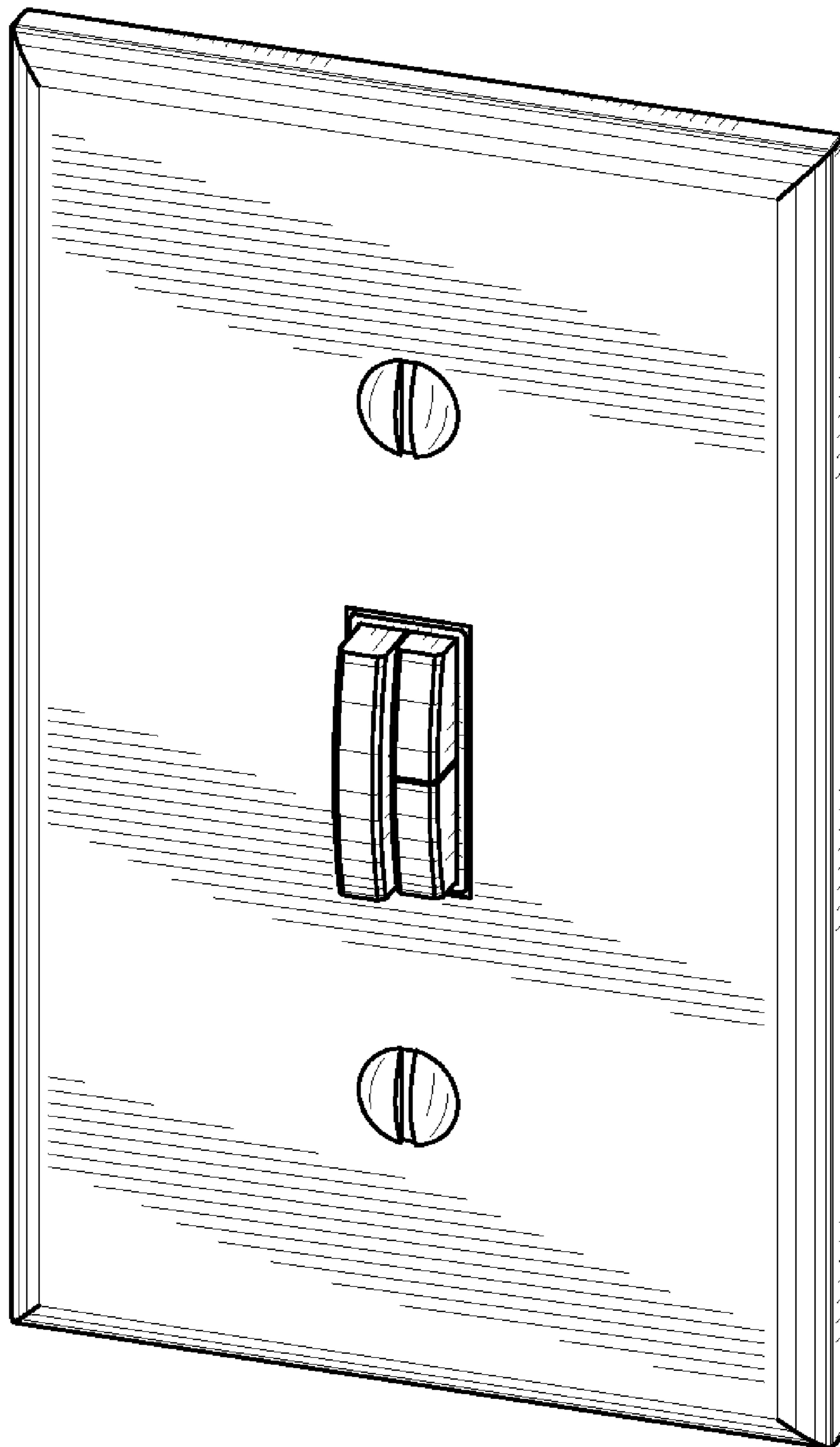


Fig. 19

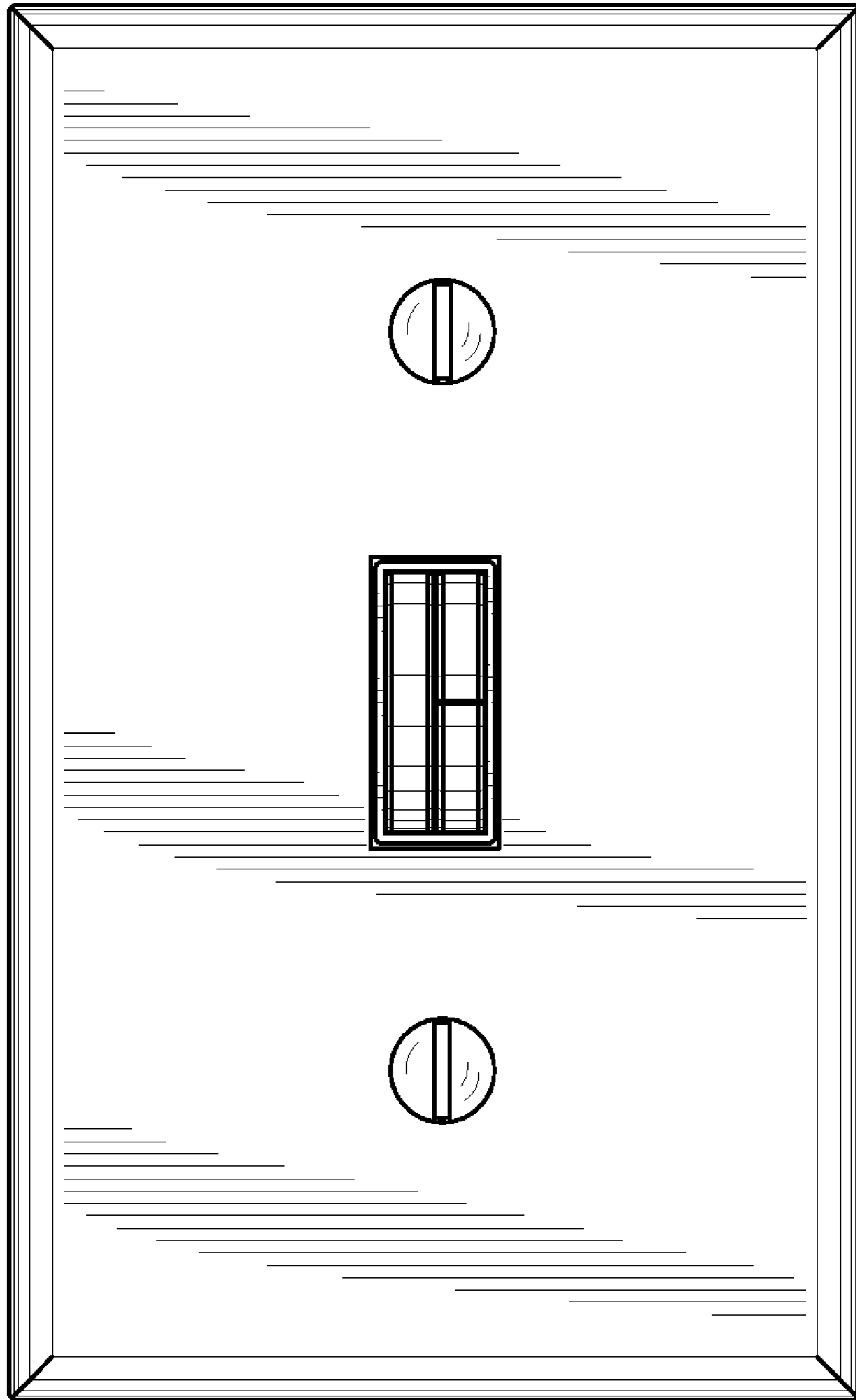


Fig. 20

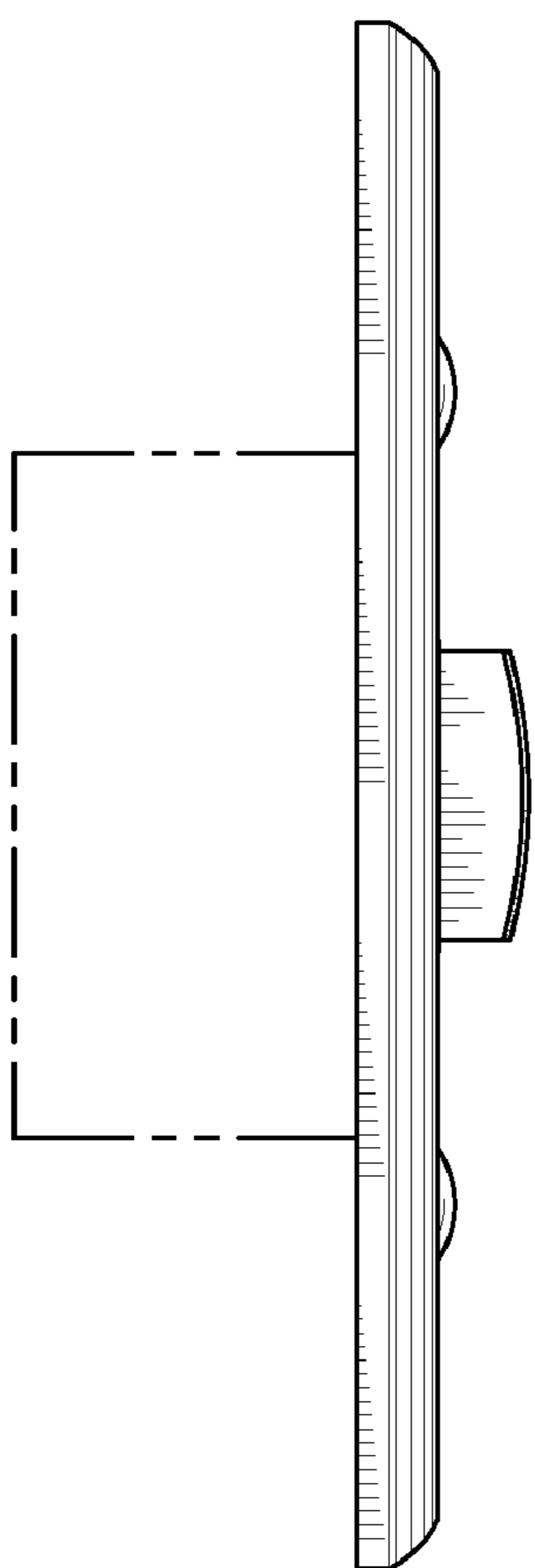


Fig. 21

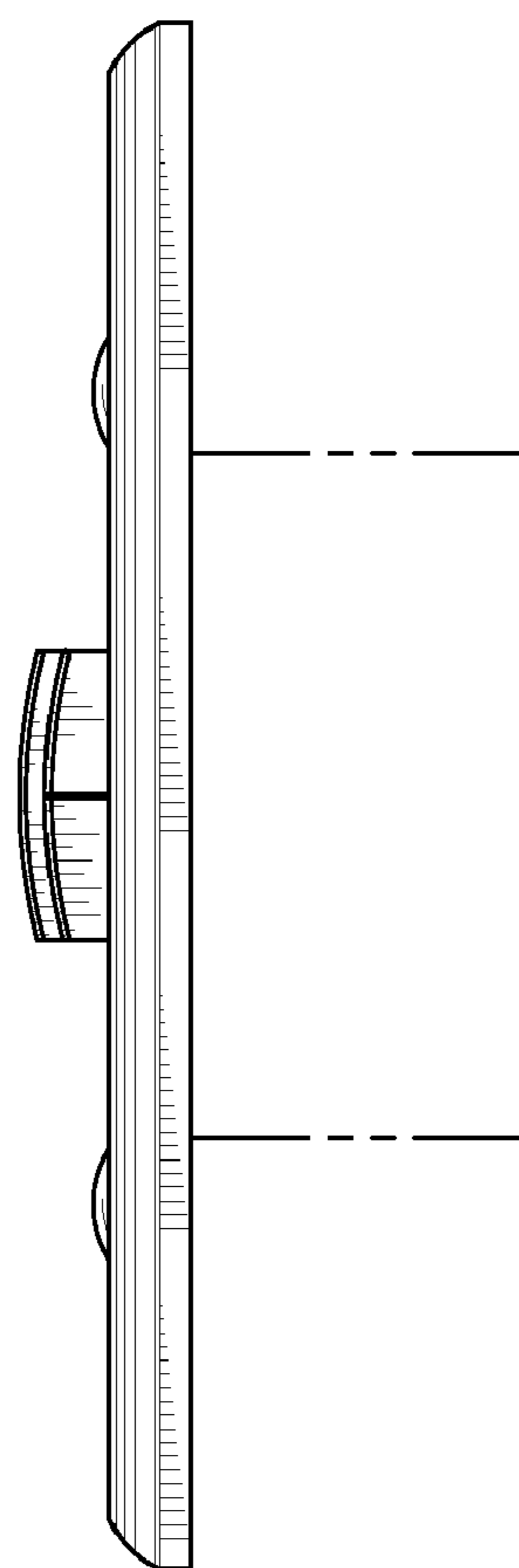


Fig. 22

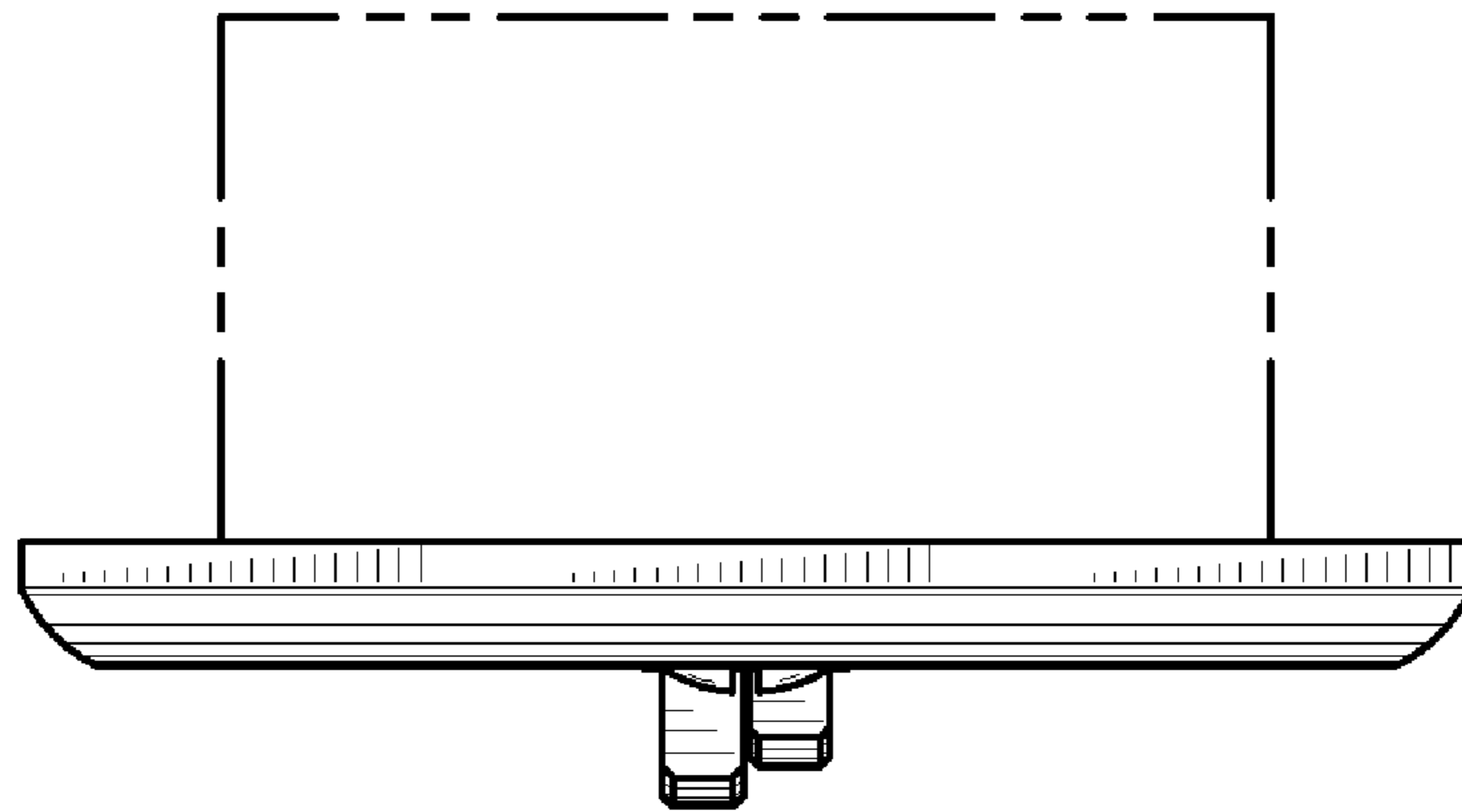


Fig. 23

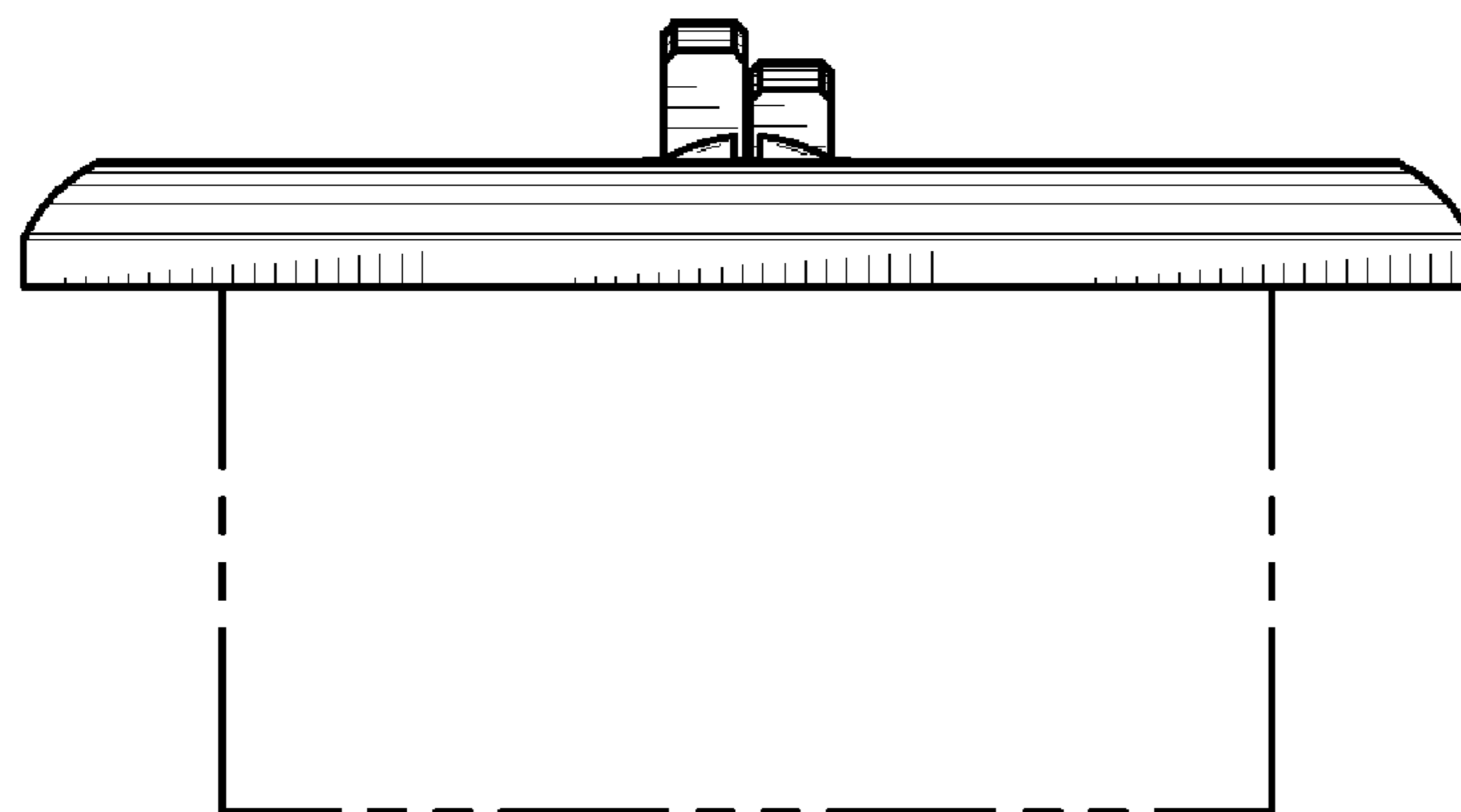


Fig. 24