



US00D566047S

(12) **United States Design Patent**  
**Gabel et al.**

(10) **Patent No.:** **US D566,047 S**

(45) **Date of Patent:** **\*\* Apr. 8, 2008**

(54) **PLUG FOR ACCESSORY-HOST INTERFACE**

(75) Inventors: **Preston S. Gabel**, Beaverton, OR (US);  
**Kenneth P. Dobyms**, Beaverton, OR  
(US); **J. Steven Lyford**, Portland, OR  
(US)

(73) Assignee: **Tektronix, Inc.**, Beaverton, OR (US)

(\*\*) Term: **14 Years**

(21) Appl. No.: **29/241,381**

(22) Filed: **Oct. 26, 2005**

(51) **LOC (8) Cl.** ..... **13-03**

(52) **U.S. Cl.** ..... **D13/154; D13/133**

(58) **Field of Classification Search** ..... D13/133,  
D13/146-147, 154, 158, 162, 173, 177; D10/78;  
385/53, 55; 439/680

See application file for complete search history.

(56) **References Cited**

U.S. PATENT DOCUMENTS

- D350,731 S \* 9/1994 Miyazawa et al. .... D13/173
- D356,567 S \* 3/1995 Jones ..... D13/162
- D389,123 S \* 1/1998 Vernon ..... D13/147

- D394,426 S \* 5/1998 Akins ..... D13/133
- 6,069,992 A \* 5/2000 Hyzin ..... 385/55
- 6,240,229 B1 \* 5/2001 Roth ..... 385/53

\* cited by examiner

*Primary Examiner*—Daniel Bui

(74) *Attorney, Agent, or Firm*—William K. Bucher

(57) **CLAIM**

The ornamental design of a plug for accessory-host interface, as shown and described.

**DESCRIPTION**

FIG. 1 is a perspective view of a plug for accessory-host interface, showing our new design;

FIG. 2 is a front elevation view of thereof;

FIG. 3 is a left side elevation view thereof;

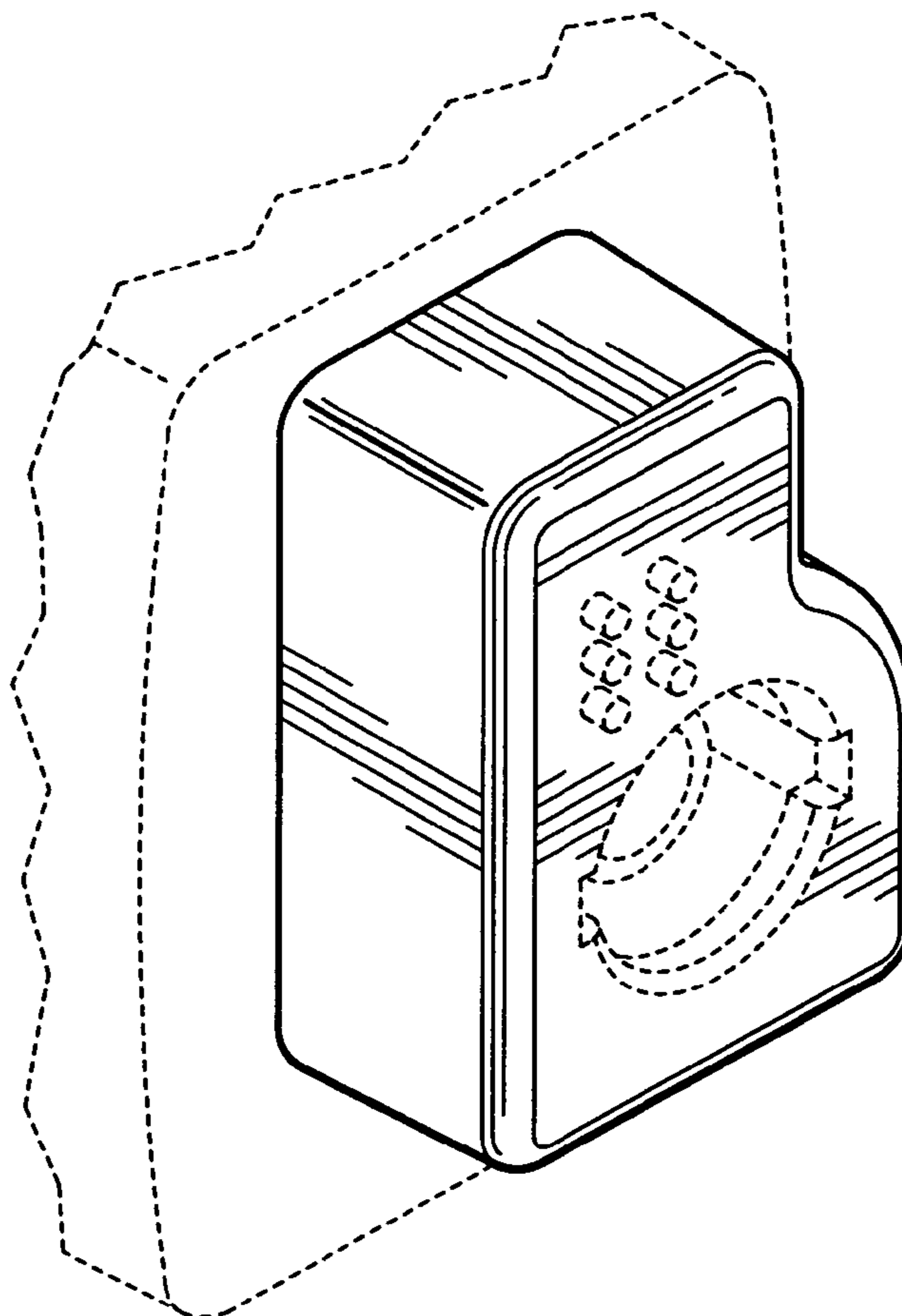
FIG. 4 is a right side elevation view thereof;

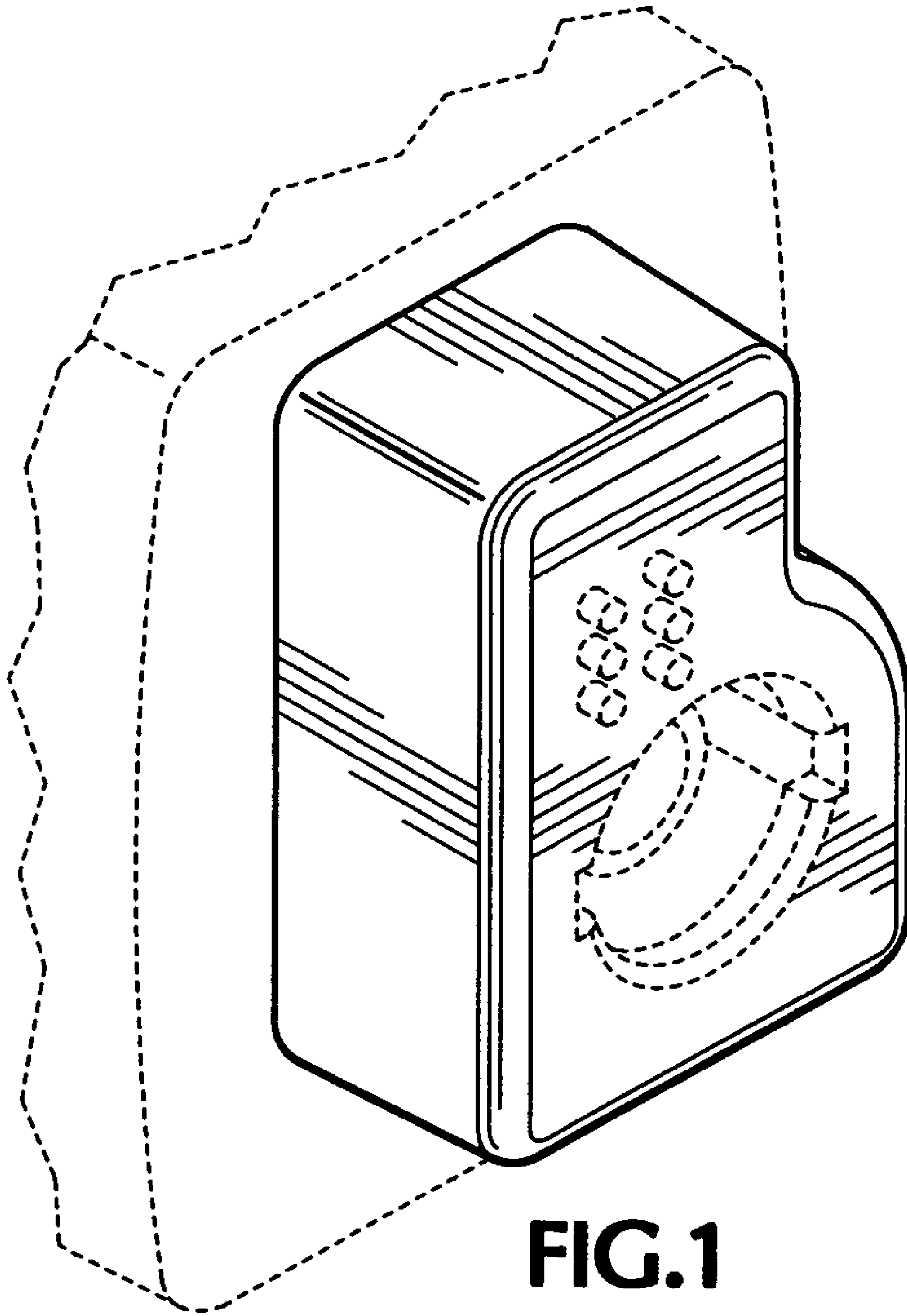
FIG. 5 is a top plan view thereof; and,

FIG. 6 is a bottom plan view thereof.

The broken line showing of the environment is for illustrative purposes only and forms no part of the claimed design.

**1 Claim, 2 Drawing Sheets**





**FIG.1**

