



US00D566046S

(12) **United States Design Patent**
Gabel et al.

(10) **Patent No.:** **US D566,046 S**

(45) **Date of Patent:** **** Apr. 8, 2008**

(54) **RECEPTACLE FOR ACCESSORY-HOST INTERFACE**

D394,426 S * 5/1998 Akins D13/133
6,069,992 A * 5/2000 Hyzin 385/55
6,240,229 B1 * 5/2001 Roth 385/53

(75) Inventors: **Preston S. Gabel**, Beaverton, OR (US);
Kenneth P. Dobyms, Beaverton, OR
(US); **J. Steven Lyford**, Portland, OR
(US)

* cited by examiner

Primary Examiner—Daniel Bui

(74) *Attorney, Agent, or Firm*—William K. Bucher

(73) Assignee: **Tektronix, Inc.**, Beaverton, OR (US)

(57) **CLAIM**

(**) Term: **14 Years**

The ornamental design of a receptacle for accessory-host interface, as shown and described.

(21) Appl. No.: **29/241,380**

(22) Filed: **Oct. 26, 2005**

DESCRIPTION

(51) **LOC (8) Cl.** **13-03**

FIG. 1 is a perspective view of a receptacle for accessory-host interface, showing our new design;

(52) **U.S. Cl.** **D13/154; D13/133**

FIG. 2 is a front elevation view thereof;

(58) **Field of Classification Search** D13/133,

FIG. 3 is a left side elevation view thereof;

D13/146–147, 154, 158, 162, 173, 177; D10/78;
385/53, 55; 439/680

FIG. 4 is a right side elevation view thereof;

See application file for complete search history.

FIG. 5 is a top plan view thereof; and,

FIG. 6 is a bottom plan view thereof.

(56) **References Cited**

The broken line showing of the environment is for illustrative purposes only and forms no part of the claimed design.

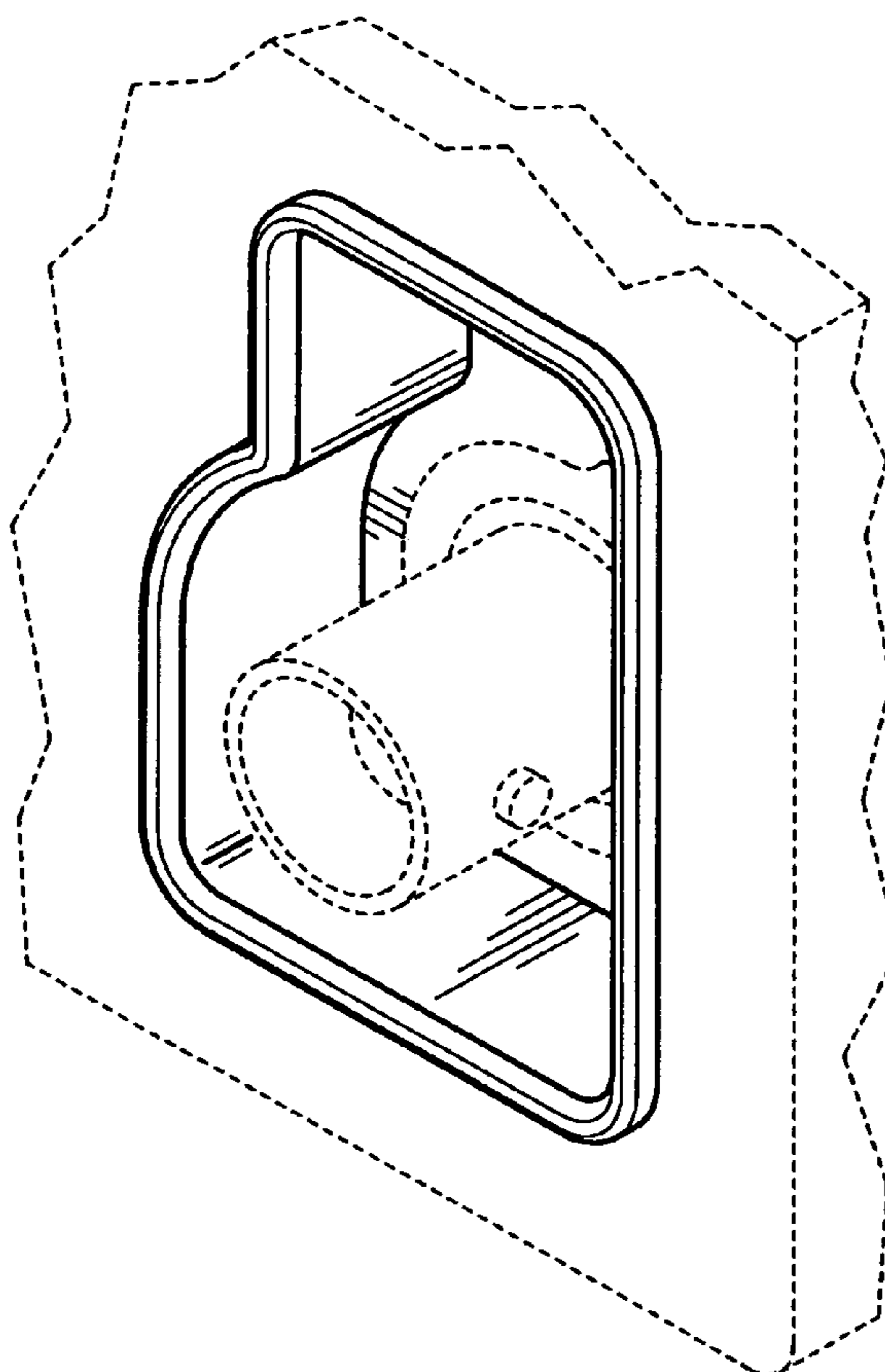
U.S. PATENT DOCUMENTS

D350,731 S * 9/1994 Miyazawa et al. D13/173

D356,567 S * 3/1995 Jones D13/162

D389,123 S * 1/1998 Vernon D13/147

1 Claim, 2 Drawing Sheets



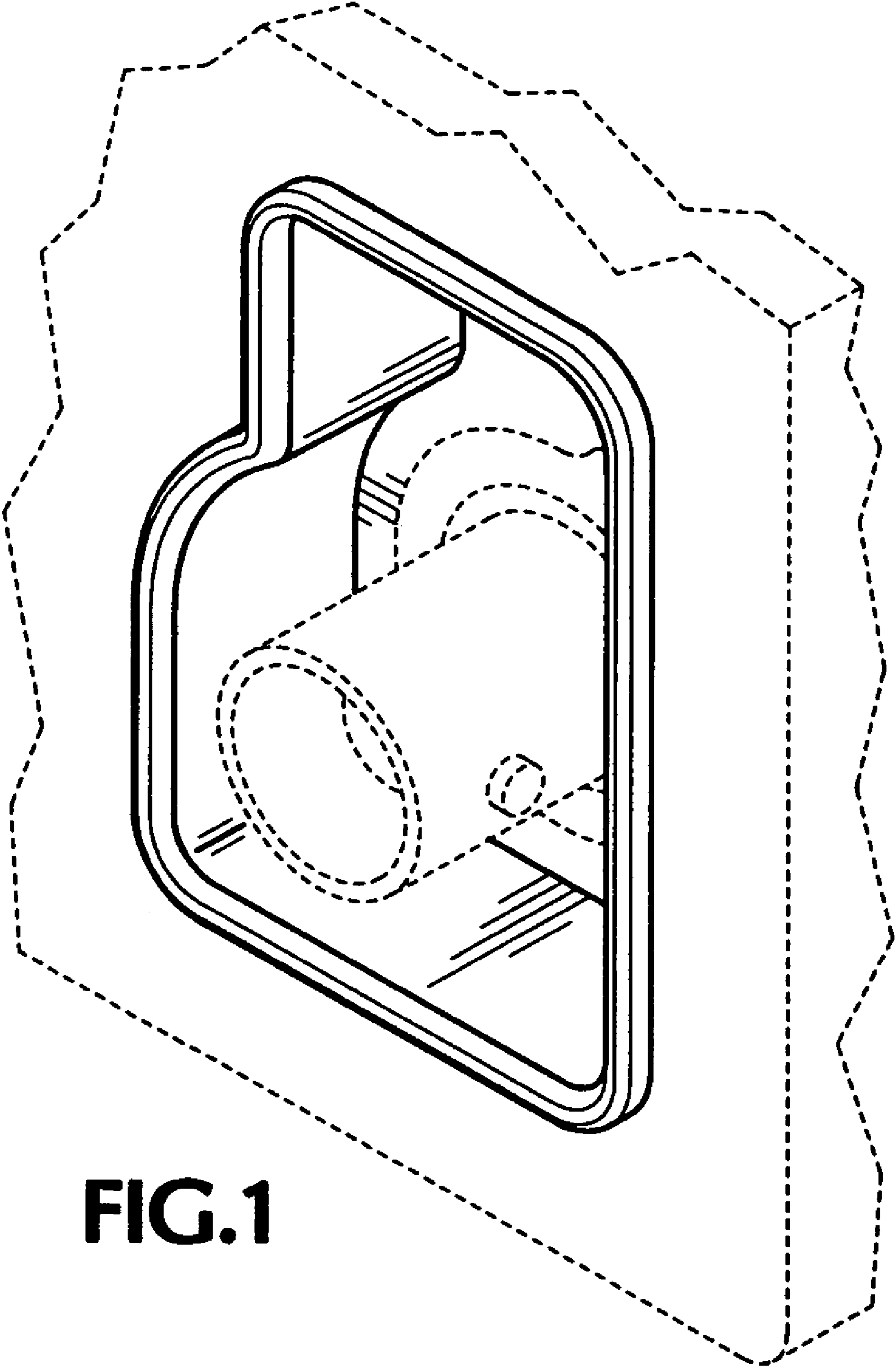


FIG. 1



FIG. 5

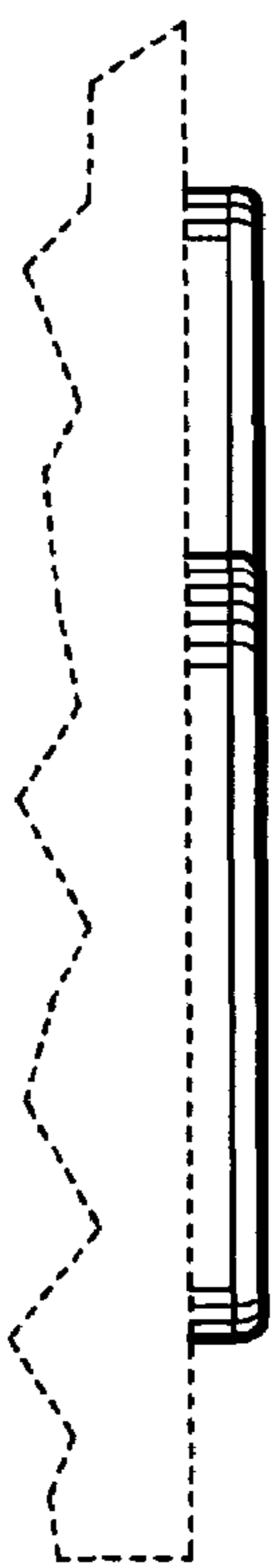


FIG. 3

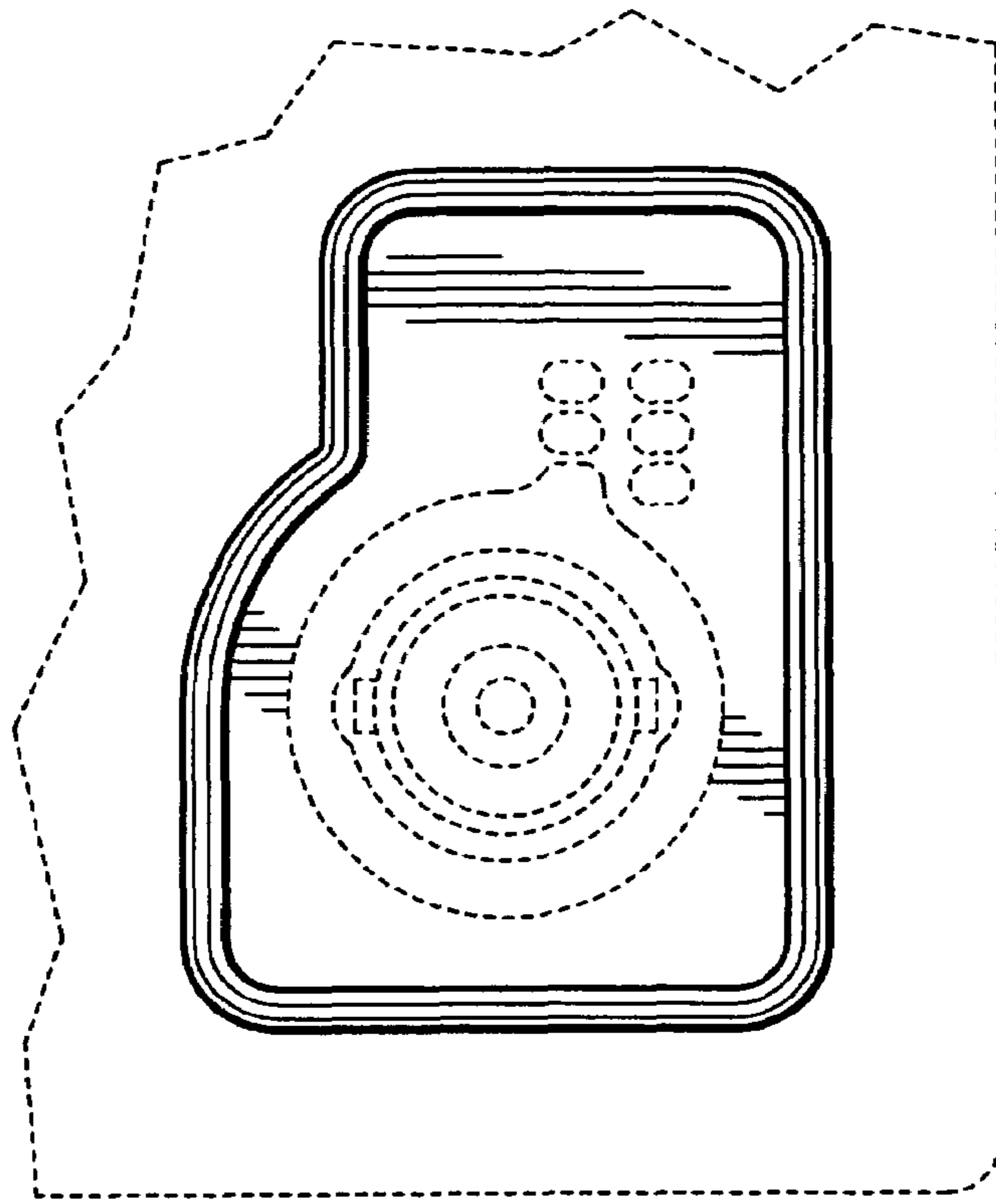


FIG. 2



FIG. 4

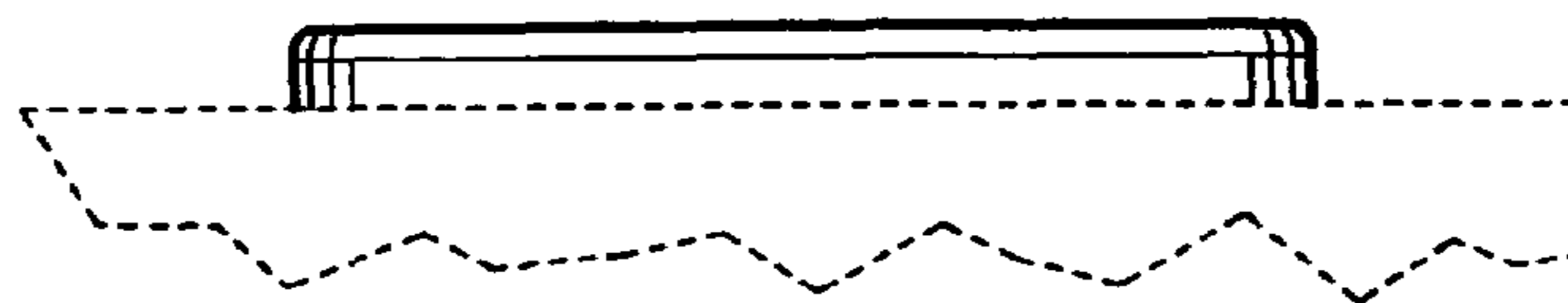


FIG. 6