



US00D566044S

(12) **United States Design Patent**
D'Arco et al.

(10) **Patent No.:** **US D566,044 S**

(45) **Date of Patent:** **** Apr. 8, 2008**

(54) **CONNECTOR**

(75) Inventors: **John D'Arco**, Wilmington, MA (US);
Charles Fendrock, Sudbury, MA (US);
Andrew Jones, Rosindale, MA (US);
Jennifer Linnane, Melrose, MA (US);
Ryan McManus, Cambridge, MA (US);
Michael Williams, Melrose, MA (US)

(73) Assignee: **NeuroMetrix, Inc.**, Waltham, MA (US)

(**) Term: **14 Years**

(21) Appl. No.: **29/201,015**

(22) Filed: **Mar. 9, 2004**

(51) **LOC (8) Cl.** **13-03**

(52) **U.S. Cl.** **D13/133**

(58) **Field of Classification Search** D13/123,
D13/133, 146, 147, 154, 184, 199; 439/135,
439/147, 180, 266, 271, 278, 282, 527, 894
See application file for complete search history.

(56) **References Cited**

U.S. PATENT DOCUMENTS

5,793,352 A * 8/1998 Greenberg et al. 345/699
5,898,789 A * 4/1999 Nichols et al. 381/361
D415,131 S * 10/1999 Chang D14/433

D415,998 S * 11/1999 Brown et al. D13/154
D478,576 S * 8/2003 Leong D14/240
2003/0038723 A1* 2/2003 Luebke et al. 340/635

* cited by examiner

Primary Examiner—Daniel Bui
(74) *Attorney, Agent, or Firm*—Pandiscio & Pandiscio

(57) **CLAIM**

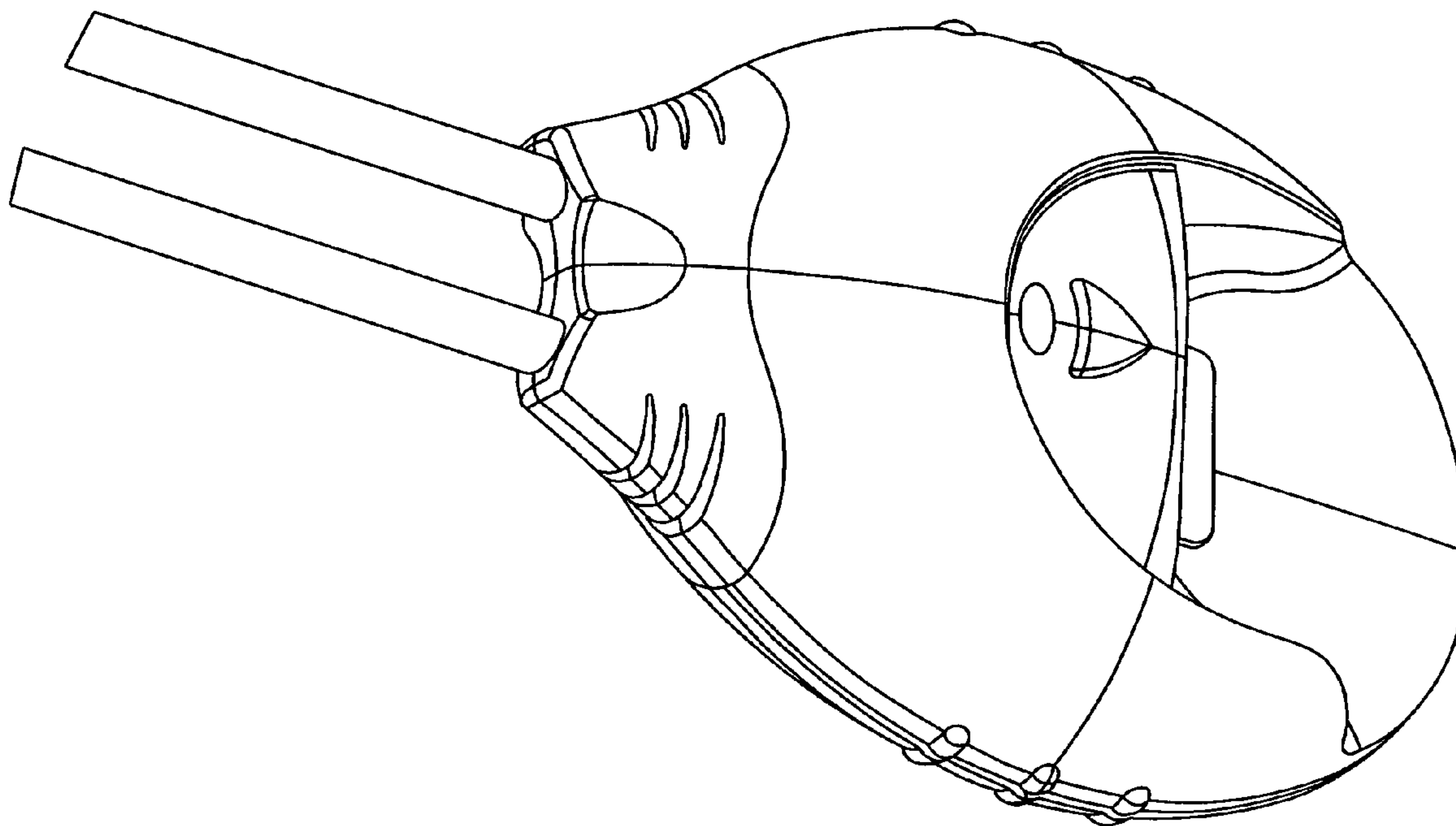
The ornamental design for a connector, as shown and described.

DESCRIPTION

FIG. 1 is a top, front and left side elevation view of a connector, showing our new design;
FIG. 2 is a left side elevation view of the connector;
FIG. 3 is a right side elevation view of the connector;
FIG. 4 is a front elevation view of the connector;
FIG. 5 is a rear elevation view of the connector;
FIG. 6 is a top plan view of the connector; and,
FIG. 7 is a bottom plan view of the connector.

The broken line showing of the environment is for illustrative purposes only and forms no part of the claimed design.

1 Claim, 7 Drawing Sheets



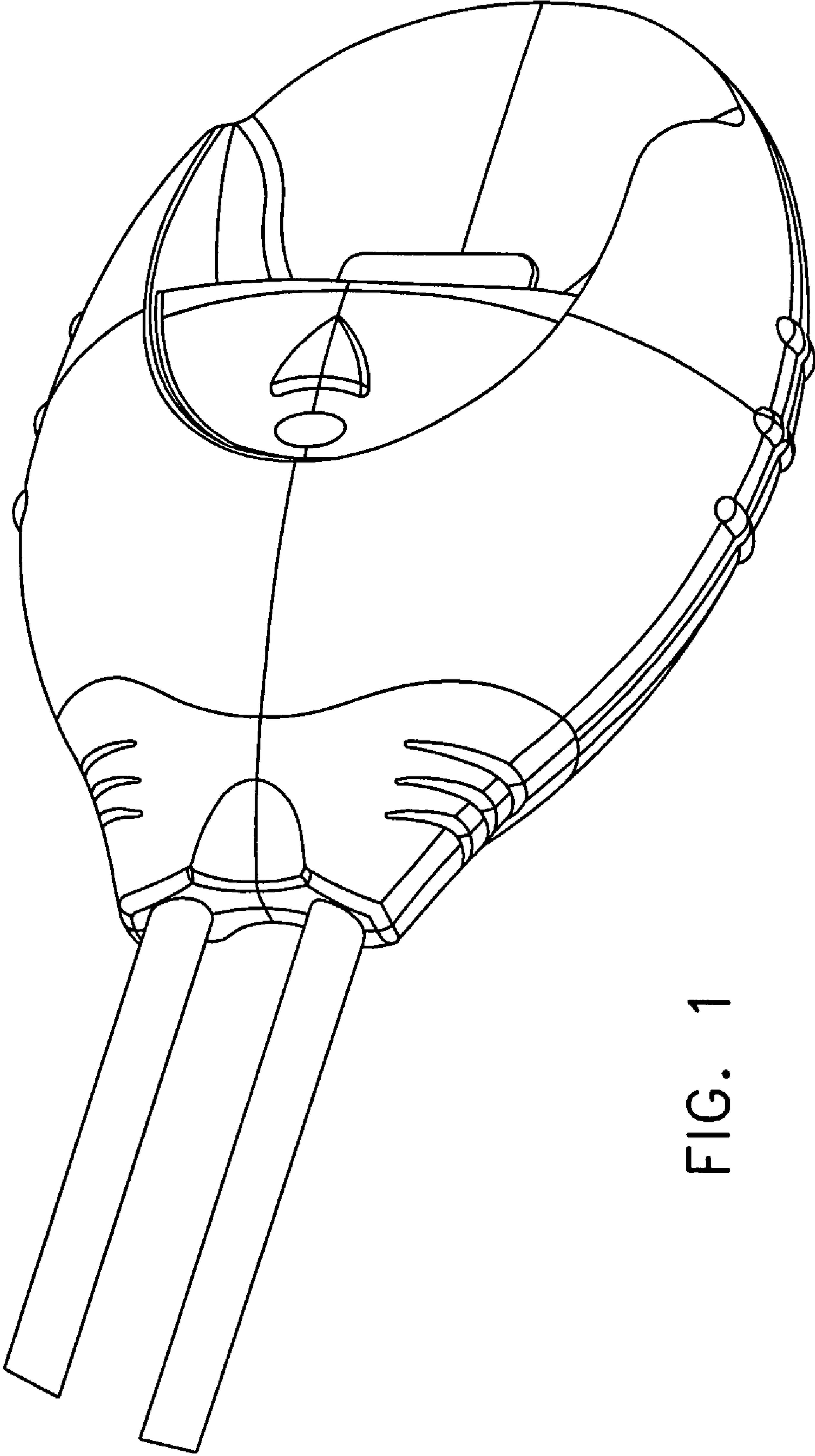


FIG. 1

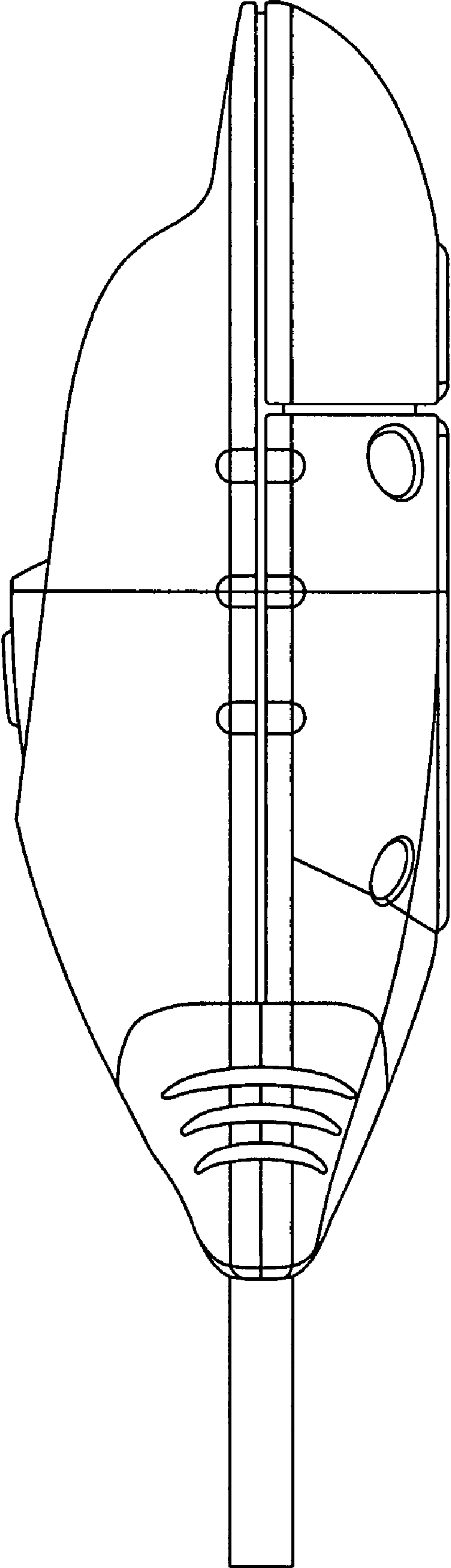


FIG. 2

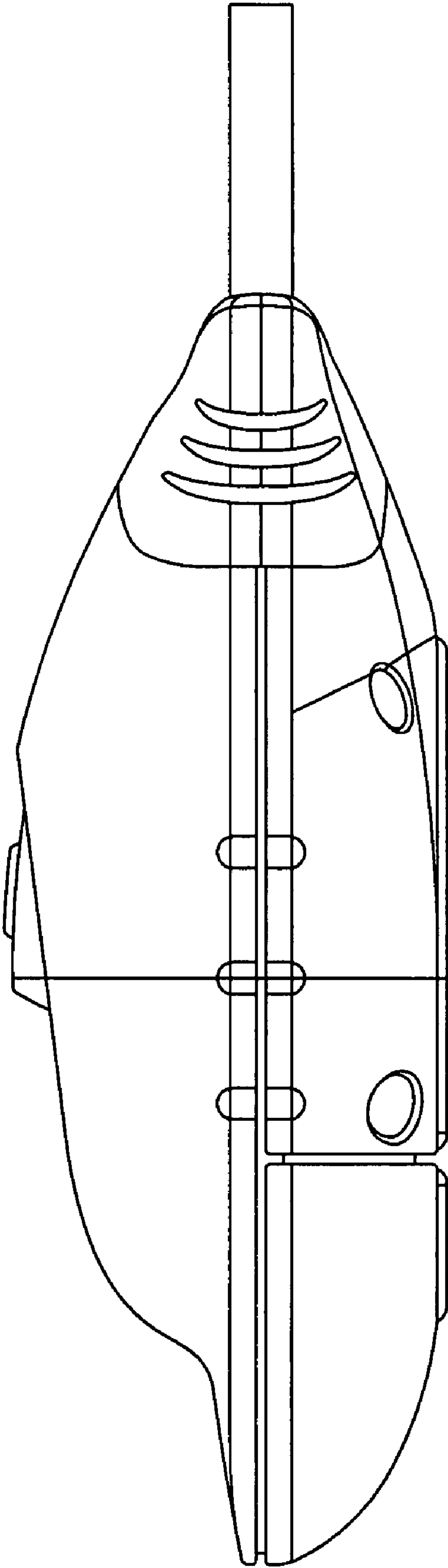


FIG. 3

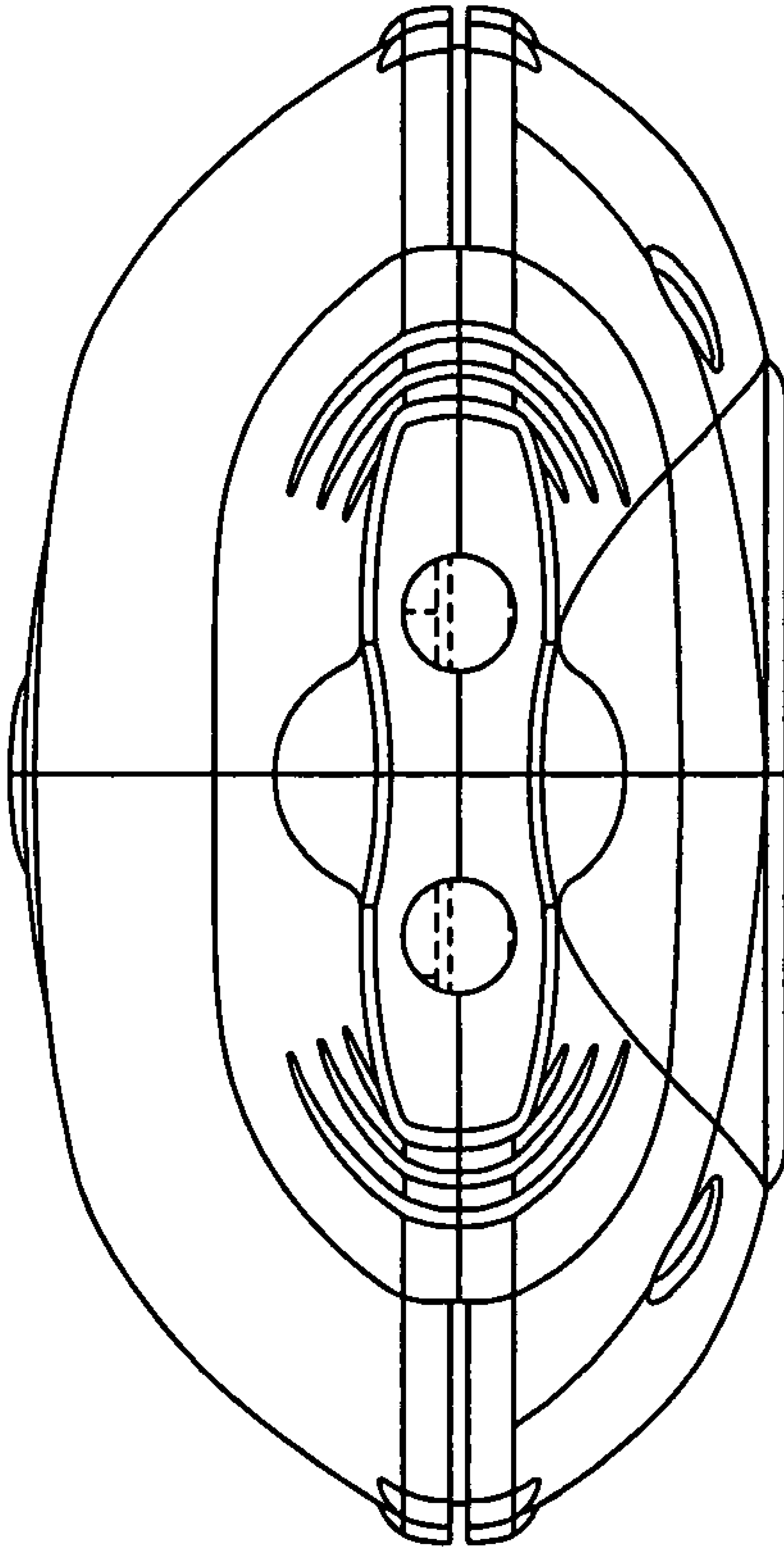


FIG. 4

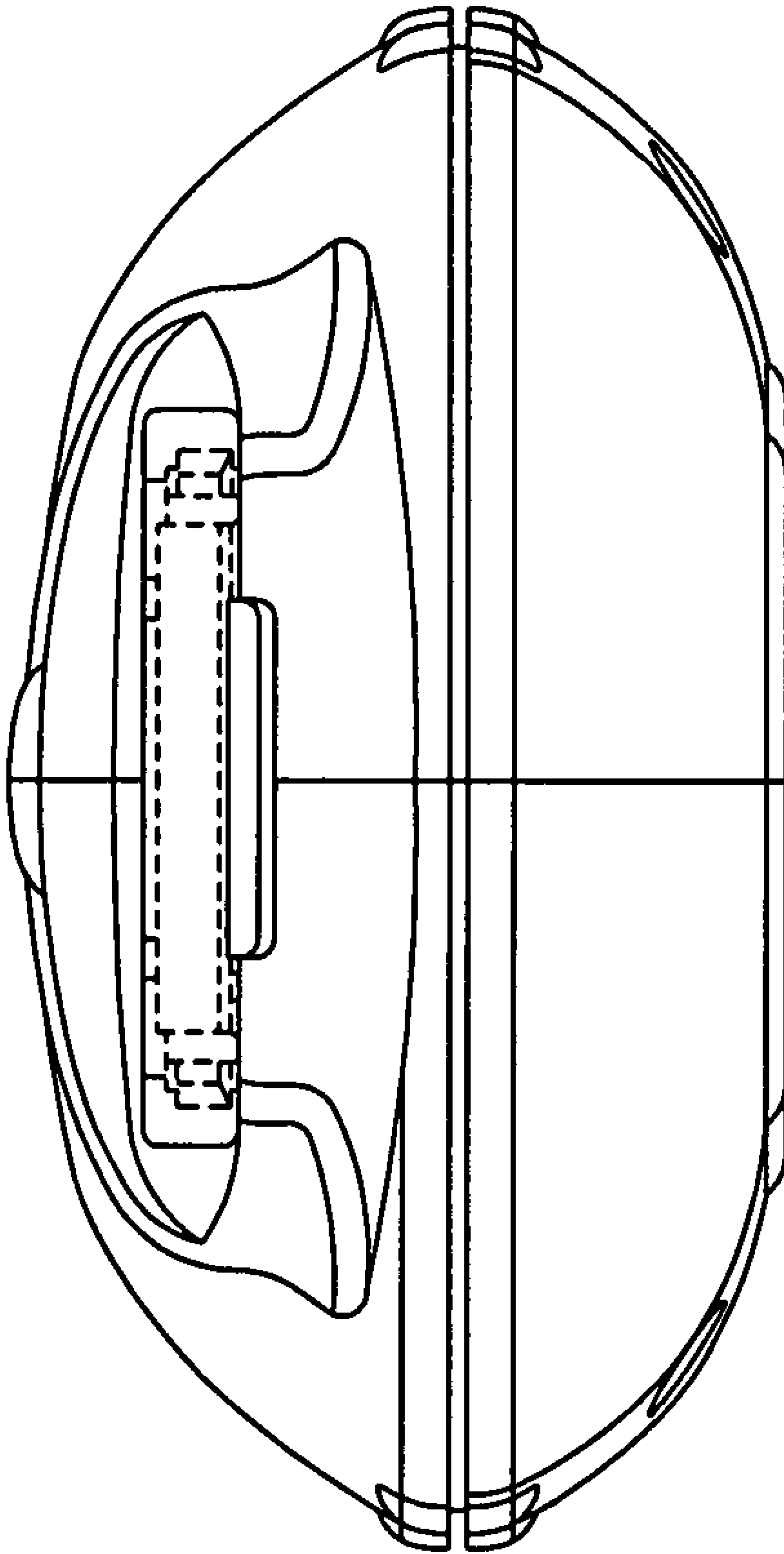


FIG. 5

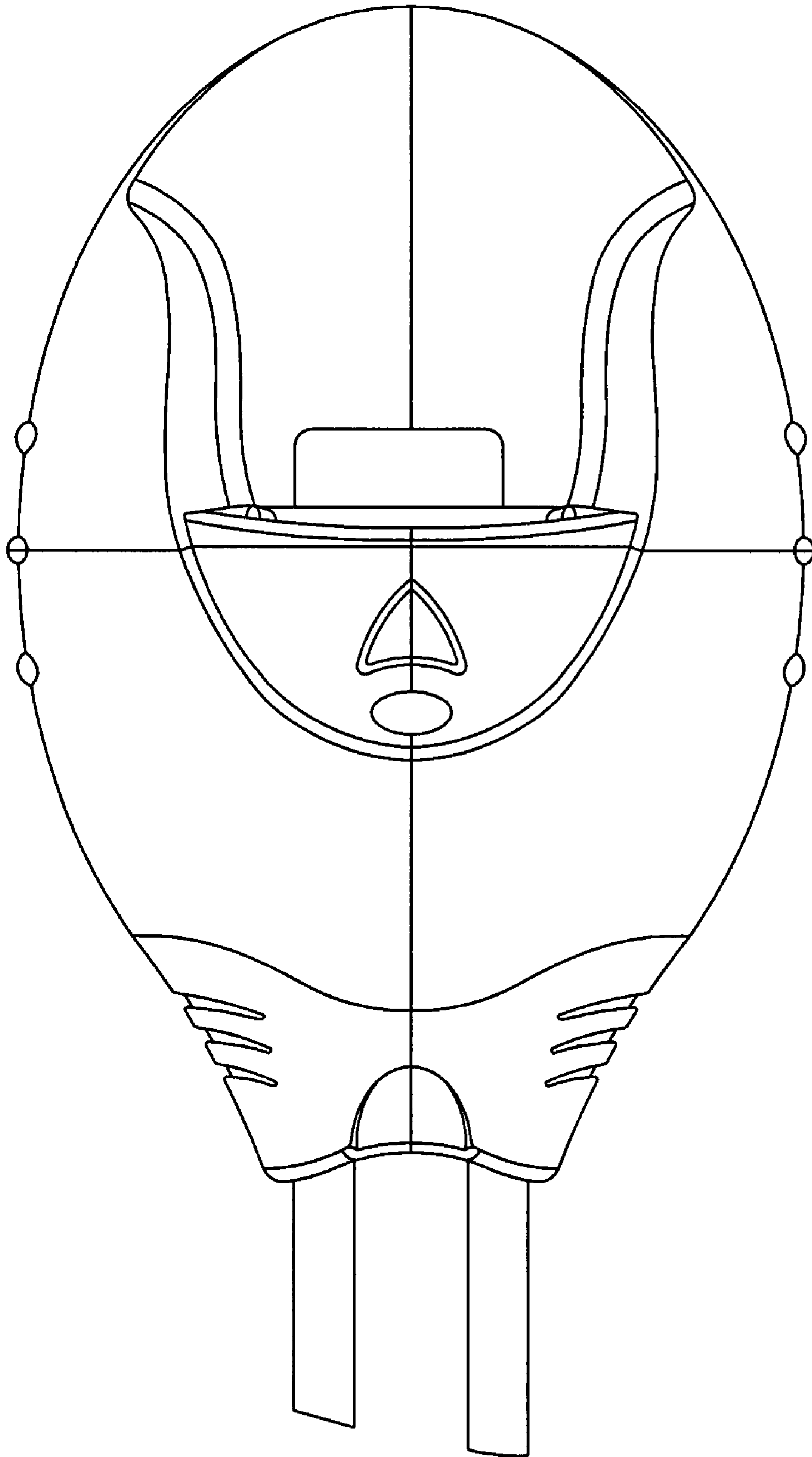


FIG. 6

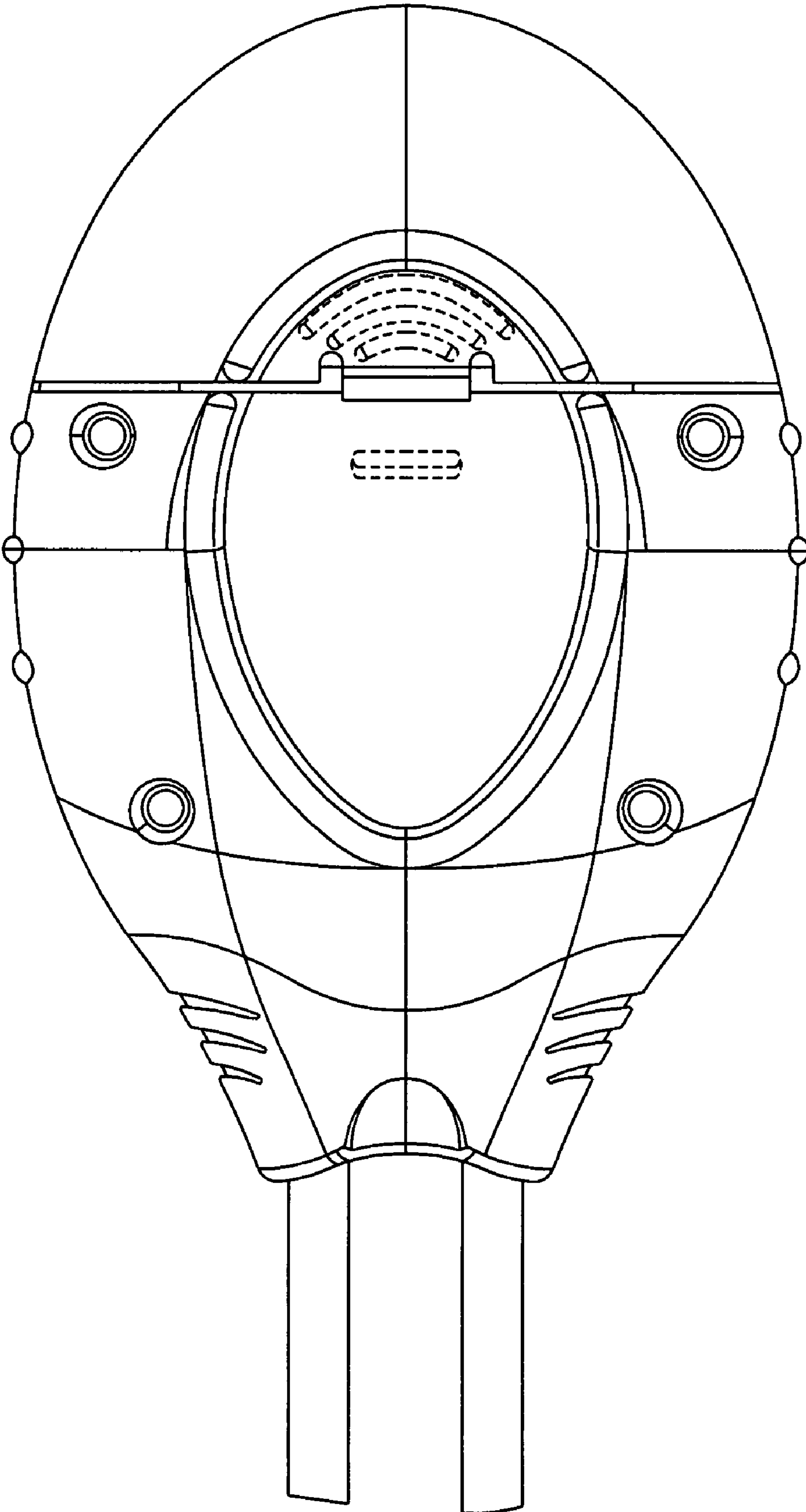


FIG. 7