

US00D566042S

(12) **United States Design Patent**  
**Yamasaki et al.**

(10) **Patent No.:** **US D566,042 S**

(45) **Date of Patent:** **\*\* Apr. 8, 2008**

(54) **POWER GENERATOR**

(75) Inventors: **Masato Yamasaki**, Hiroshima (JP);  
**Teruaki Matsubata**, Hiroshima (JP);  
**Hiroki Awata**, Aichi (JP)

(73) Assignees: **Shindaiwa Corporation**, Hiroshima (JP); **Mitsubishi Heavy Industries, Inc.**, Tokyo (JP)

(\*\*) Term: **14 Years**

(21) Appl. No.: **29/265,628**

(22) Filed: **Sep. 6, 2006**

(51) **LOC (8) Cl.** ..... **13-01**

(52) **U.S. Cl.** ..... **D13/116**

(58) **Field of Classification Search** ..... D13/116,  
D13/112, 114, 199; D15/1; 290/1 R, 1 B;  
307/150, 151; 322/1, 2 R  
See application file for complete search history.

(56) **References Cited**

**U.S. PATENT DOCUMENTS**

- D249,788 S \* 10/1978 Nanjo ..... D13/116
- D278,425 S \* 4/1985 Toshihiko ..... D13/116
- D291,432 S \* 8/1987 Yaguchi ..... D13/116

- D294,015 S \* 2/1988 Gomi ..... D13/114
- D416,537 S \* 11/1999 Imai et al. .... D13/116
- D470,103 S \* 2/2003 Nishida ..... D13/116
- D486,447 S \* 2/2004 Fan ..... D13/114

\* cited by examiner

*Primary Examiner*—Prabhakar Deshmukh

*Assistant Examiner*—Derrick Holland

(74) *Attorney, Agent, or Firm*—Morrison & Foerster LLP

(57) **CLAIM**

We claim the ornamental design for a power generator, as shown and described.

**DESCRIPTION**

FIG. 1 is a front view of a power generator showing our new design;

FIG. 2 is a back view thereof;

FIG. 3 is a right side view thereof;

FIG. 4 is a left side view thereof;

FIG. 5 is a top view thereof;

FIG. 6 is a bottom view thereof; and,

FIG. 7 is a perspective view thereof.

**1 Claim, 4 Drawing Sheets**

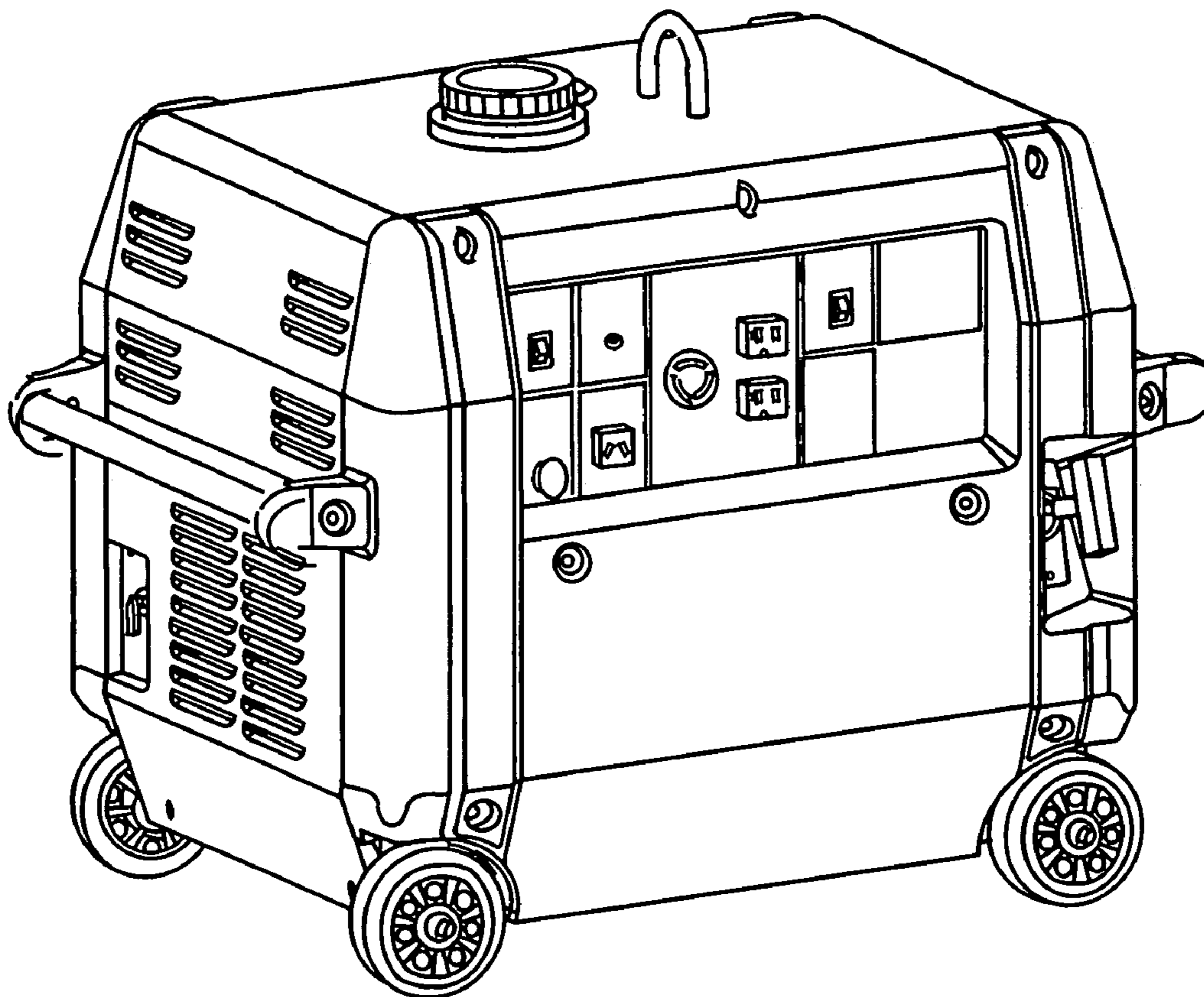


FIG. 1

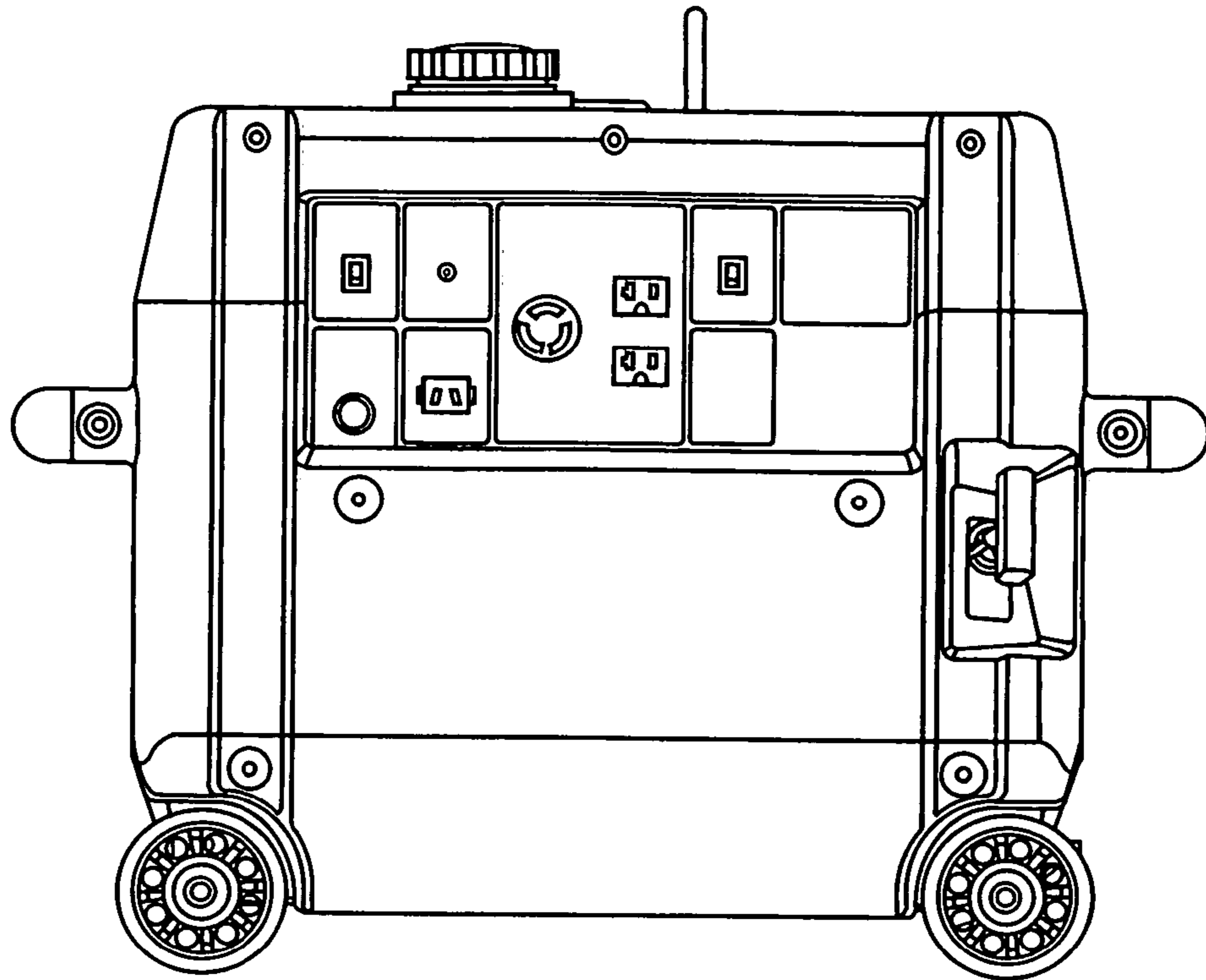


FIG. 2

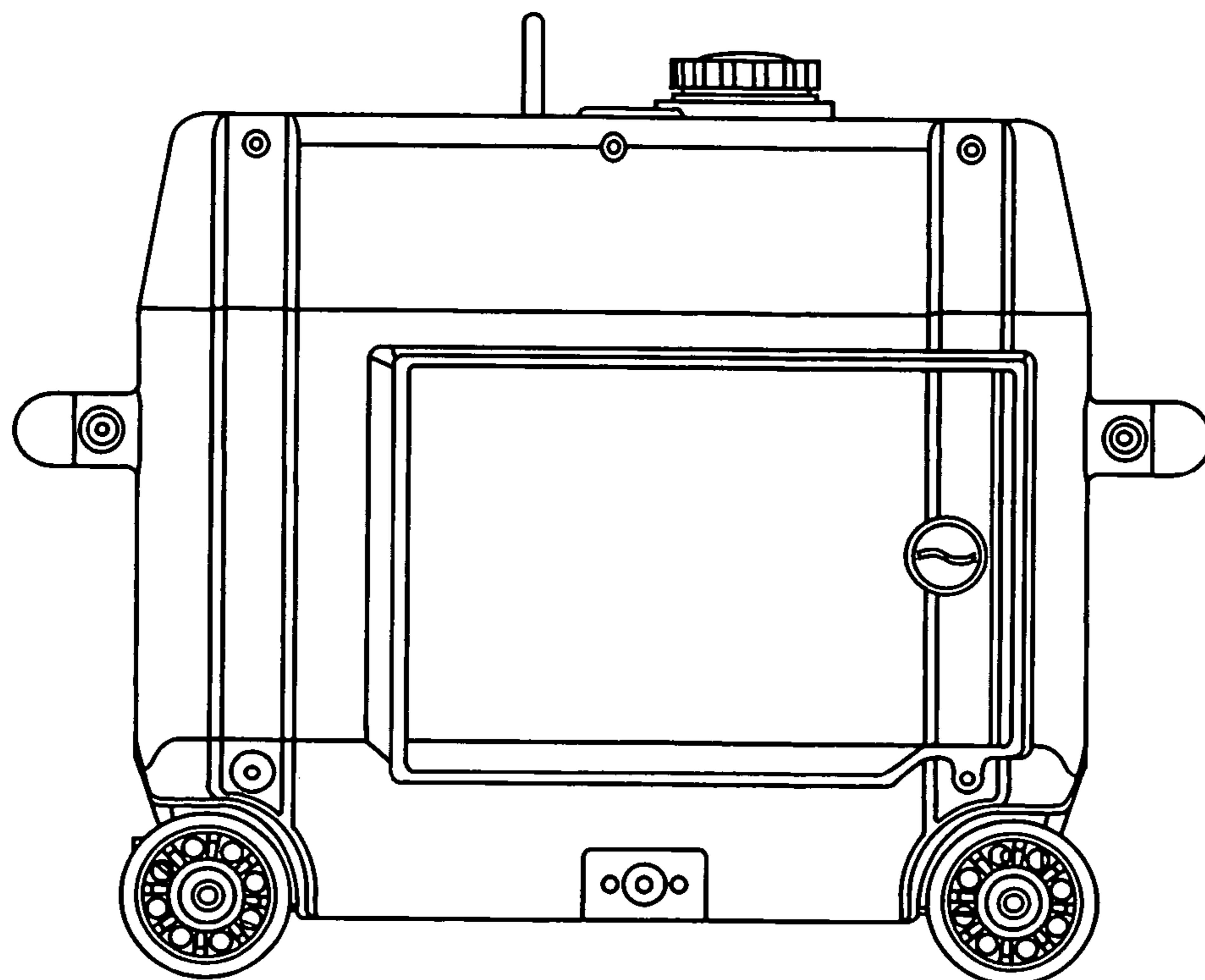


FIG.3

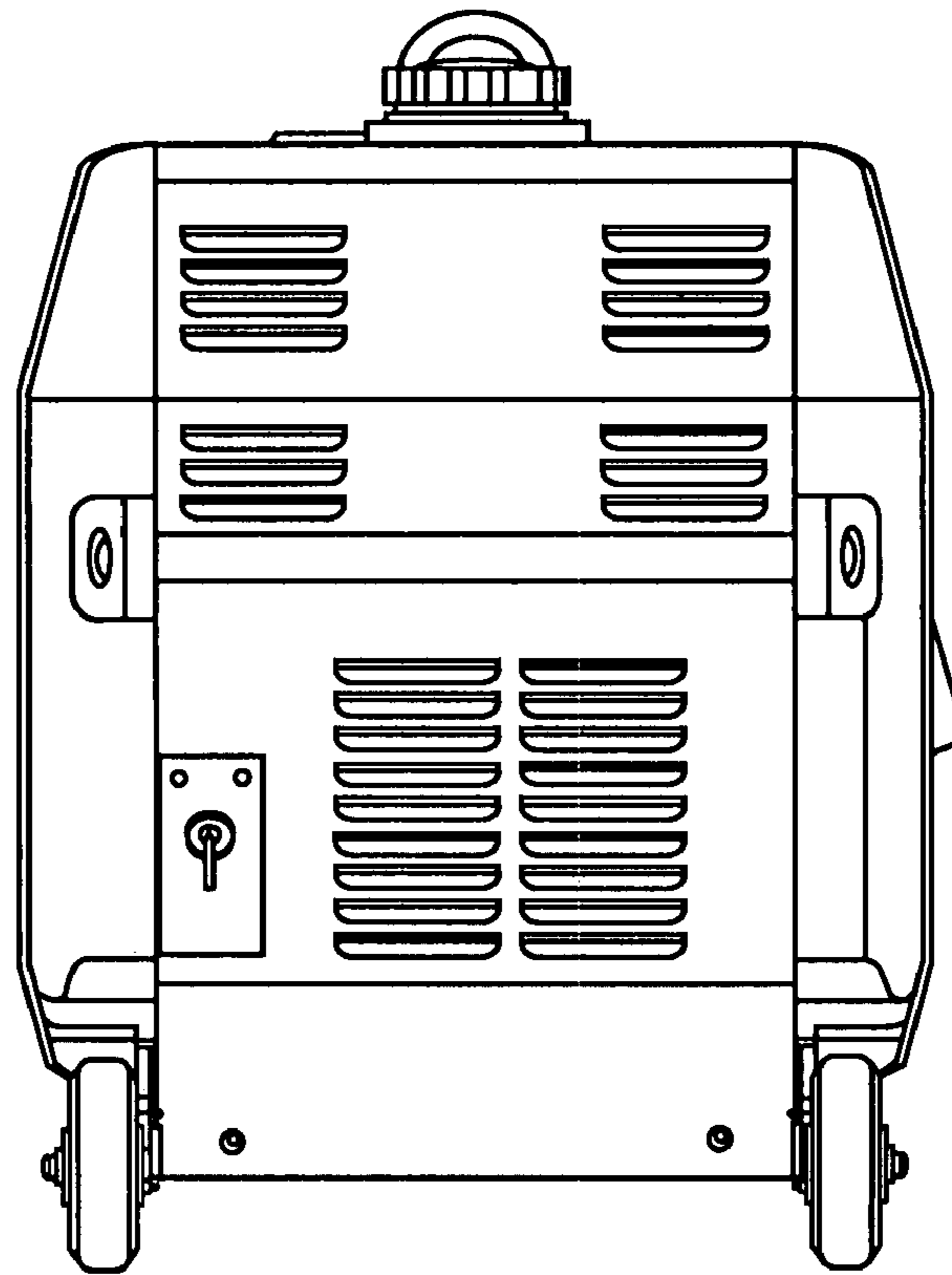


FIG.4

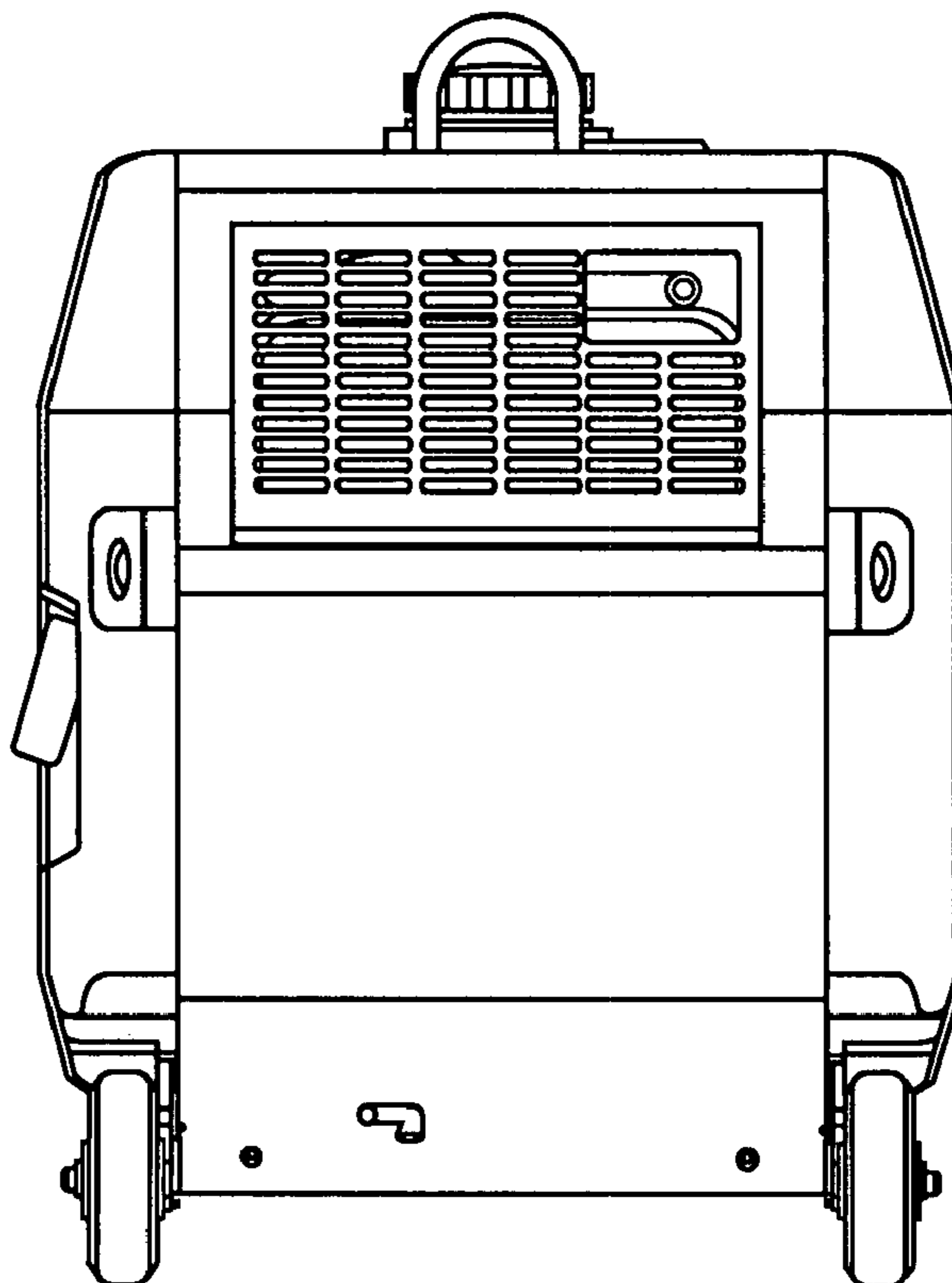


FIG. 5

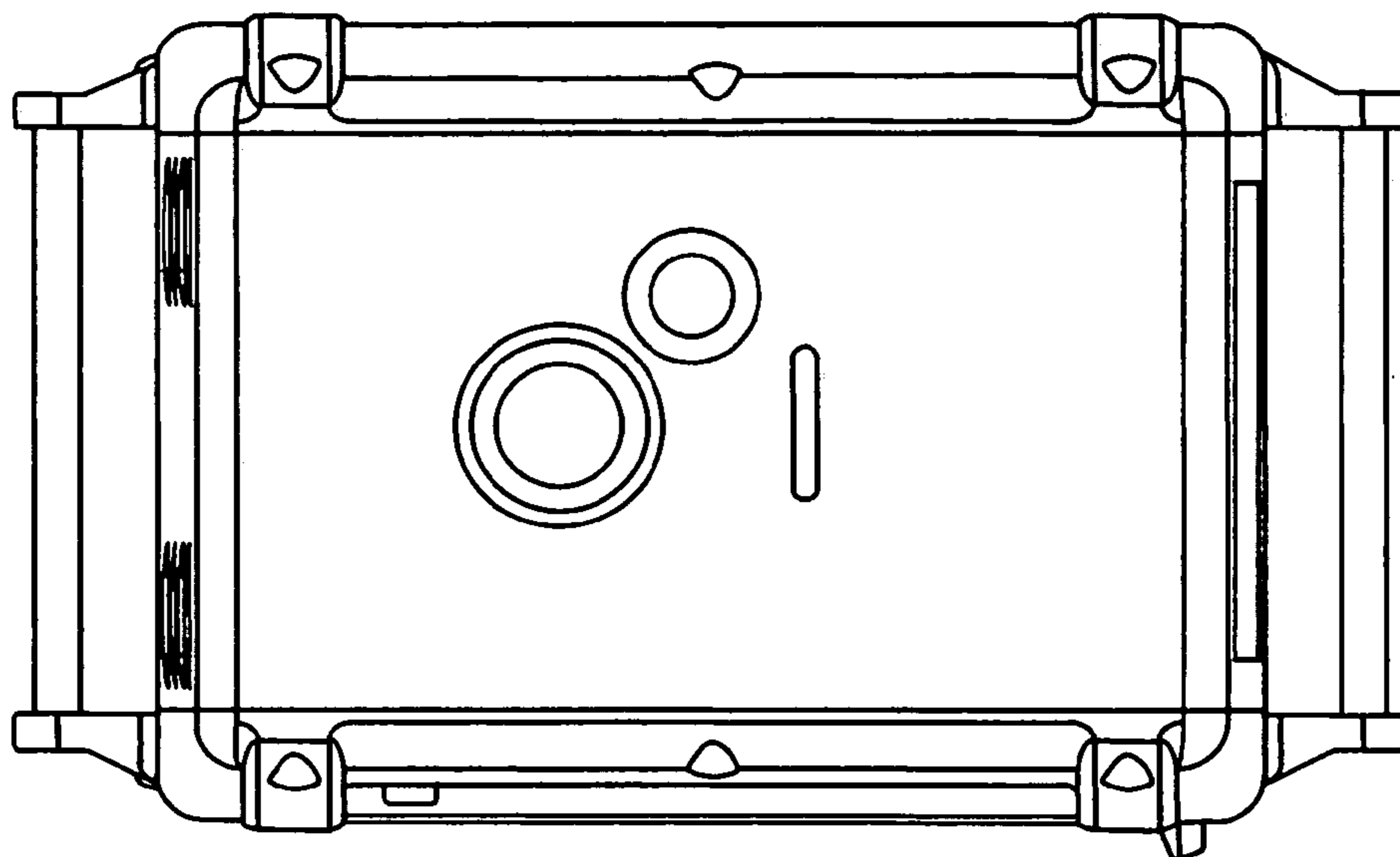


FIG. 6

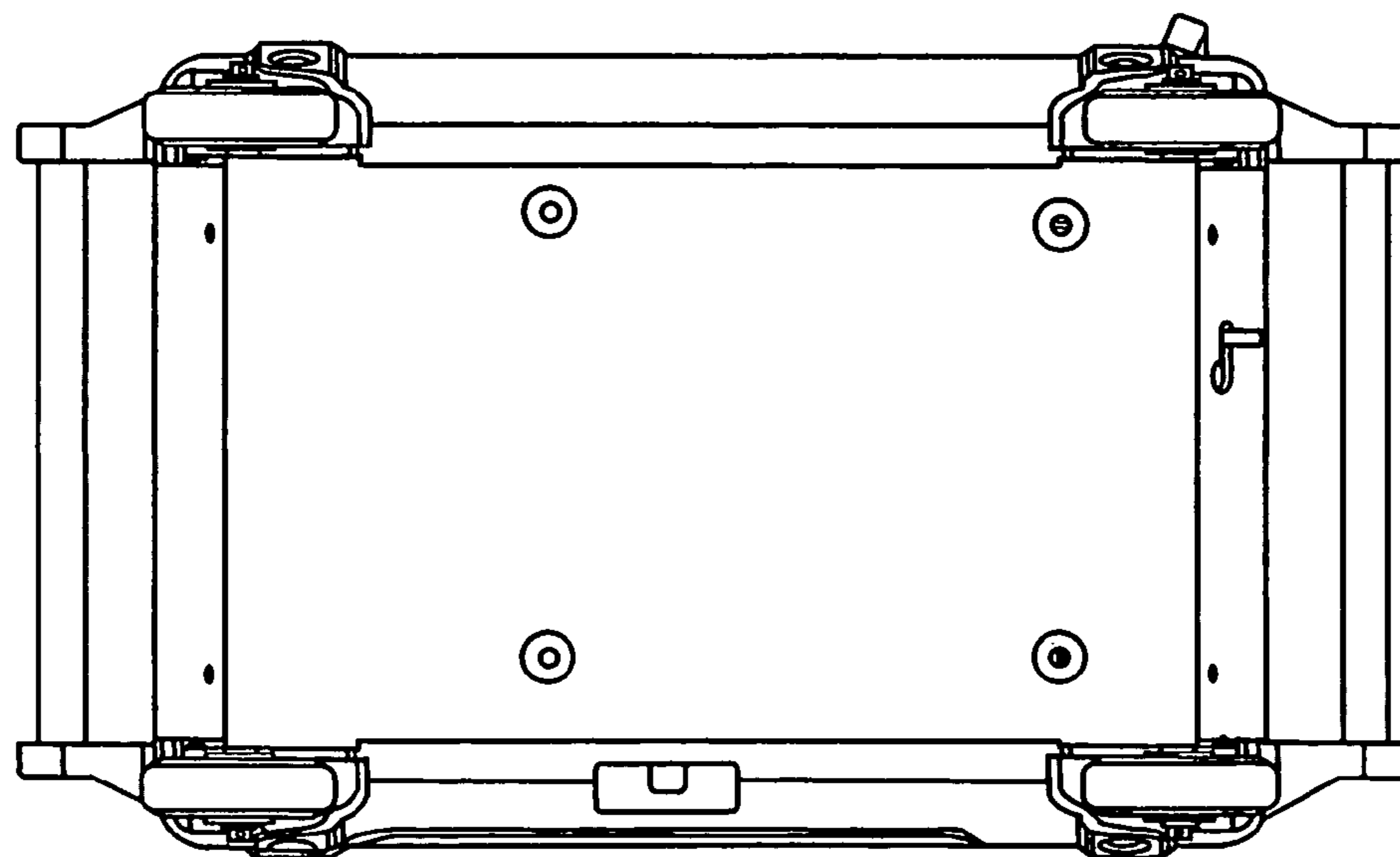


FIG. 7

