

US00D566029S

(12) **United States Design Patent**  
**Swinson, III**

(10) **Patent No.:** **US D566,029 S**

(45) **Date of Patent:** **\*\* Apr. 8, 2008**

(54) **WHEEL CHOCK**

(75) **Inventor:** **William E. Swinson, III**, Greeneville, TN (US)

(73) **Assignee:** **Meco Corporation**, Greeneville, TN (US)

(\*\*) **Term:** **14 Years**

(21) **Appl. No.:** **29/235,034**

(22) **Filed:** **Jul. 27, 2005**

(51) **LOC (8) Cl.** ..... **12-06**

(52) **U.S. Cl.** ..... **D12/217**

(58) **Field of Classification Search** ..... D12/217,  
D12/400, 120, 203; D34/27, 32, 38; D8/402;  
280/293; 410/30, 49; 14/69.5; 211/20;  
188/32, 36; 254/88; 248/346, 352

See application file for complete search history.

(56) **References Cited**

**U.S. PATENT DOCUMENTS**

- 2,816,627 A \* 12/1957 Wilson et al. .... 188/32
- 3,065,827 A \* 11/1962 Timbers ..... 188/32
- D201,143 S \* 5/1965 Vigilante ..... D12/217
- D219,236 S \* 11/1970 Hudak ..... D12/217
- 3,785,517 A 1/1974 Brajkovich

- 3,907,072 A 9/1975 Shafer
- 4,031,726 A 6/1977 De Jager
- 4,502,816 A \* 3/1985 Creter et al. .... D12/217
- 4,700,873 A 10/1987 Young

(Continued)

**FOREIGN PATENT DOCUMENTS**

EP 0 496 727 B1 8/1992

(Continued)

*Primary Examiner*—Stacia Cadmus

(74) *Attorney, Agent, or Firm*—McGuireWoods LLP

(57) **CLAIM**

I claim the ornamental design for a wheel chock, as shown and described.

**DESCRIPTION**

FIG. 1 is a perspective view of a wheel chock, showing my new design;

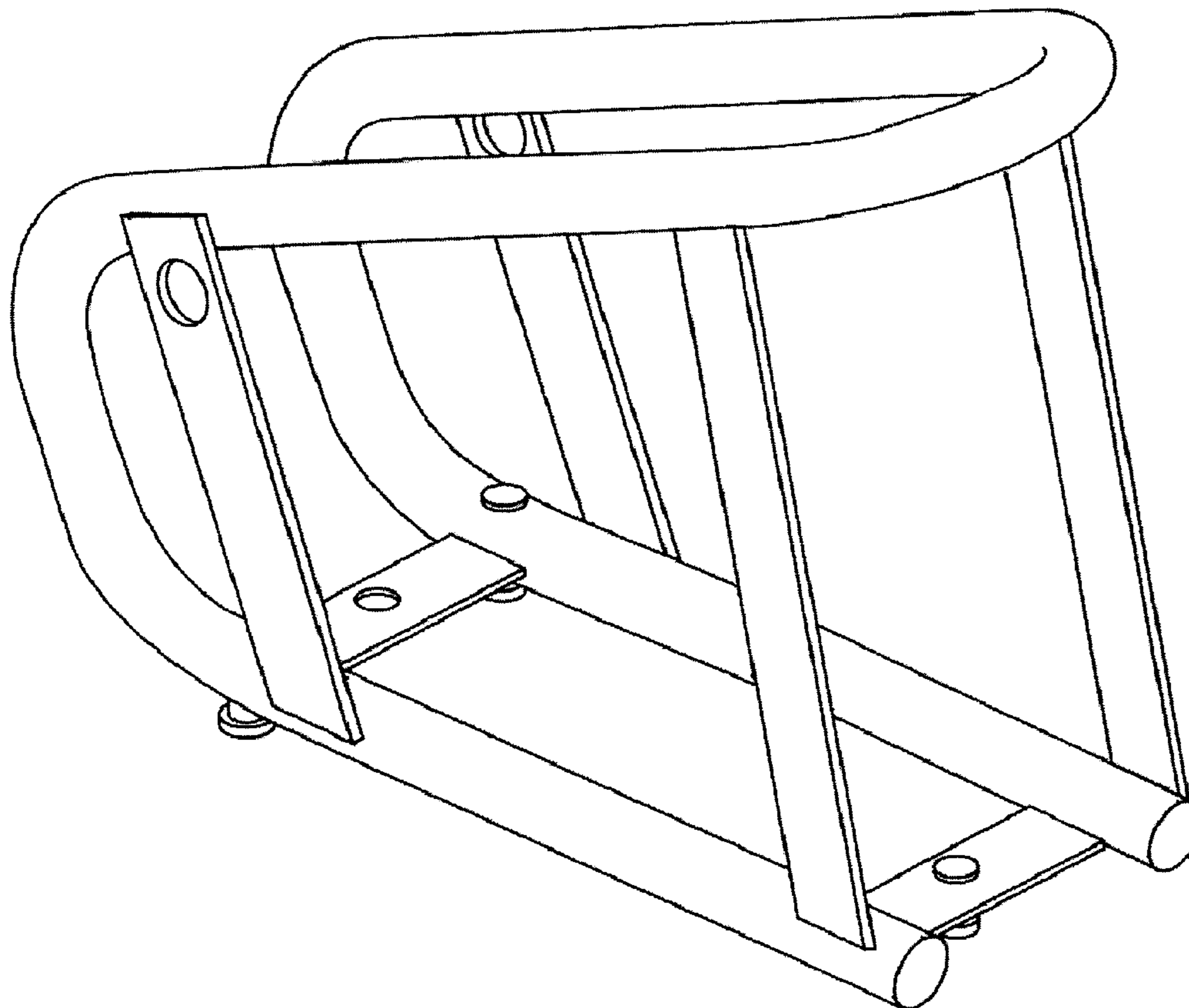
FIG. 2 is a right side view thereof;

FIG. 3 is a top view thereof;

FIG. 4 is a bottom view thereof; and,

FIG. 5 is a front view thereof.

**1 Claim, 3 Drawing Sheets**



# US D566,029 S

Page 2

## U.S. PATENT DOCUMENTS

D298,823 S 12/1988 Zutler  
4,823,997 A 4/1989 Krieger  
4,833,442 A 5/1989 Von Heck  
4,852,779 A 8/1989 Berg  
4,921,152 A 5/1990 Kemming  
5,025,932 A 6/1991 Jay  
5,092,504 A 3/1992 Hannes et al.  
5,137,411 A 8/1992 Eul et al.  
5,263,553 A 11/1993 Duncan  
5,427,286 A 6/1995 Hagerty  
D365,078 S 12/1995 Ziaylek  
5,476,200 A 12/1995 Wong  
5,549,231 A 8/1996 Fletcher et al.  
5,560,526 A 10/1996 Jantzen et al.  
5,611,472 A 3/1997 Miller  
D386,140 S \* 11/1997 Pingel et al. .... D12/217  
D386,141 S \* 11/1997 Pingel et al. .... D12/217  
5,735,410 A 4/1998 Kallstrom  
D397,983 S \* 9/1998 Pingel et al. .... D12/217  
D397,984 S \* 9/1998 Pingel et al. .... D12/217  
D397,985 S \* 9/1998 Pingel et al. .... D12/217  
5,803,208 A 9/1998 Blach  
5,820,002 A 10/1998 Allen  
5,857,602 A 1/1999 Depot  
6,095,731 A 8/2000 Minakami et al.  
6,116,062 A 9/2000 Markegard et al.

6,179,181 B1 1/2001 Johnson et al.  
6,186,727 B1 2/2001 Hamilton  
6,241,104 B1 6/2001 Kraus  
6,340,106 B1 1/2002 Dutton  
6,367,673 B1 4/2002 Smith et al.  
RE38,162 E 7/2003 Brown  
6,601,712 B2 8/2003 Dean et al.  
6,752,303 B2 6/2004 McLemore et al.  
6,755,599 B1 6/2004 Plyler  
D493,408 S 7/2004 Chrisco et al.  
D497,873 S 11/2004 Graber  
D501,818 S \* 2/2005 Bateman ..... D12/217  
D502,138 S \* 2/2005 Bateman ..... D12/217  
2003/0071097 A1 4/2003 Dean  
2003/0159892 A1 8/2003 Jette  
2004/0004099 A1 1/2004 Crouch  
2004/0020252 A1 2/2004 Howitt  
2004/0084491 A1 5/2004 Gibson

## FOREIGN PATENT DOCUMENTS

GB 0 897 582 A 5/1962  
GB 1 215 759 A 12/1970  
GB 2 070 162 A 9/1981  
GB 2 112 725 A 7/1983  
GB 2 274 691 A 8/1994

\* cited by examiner

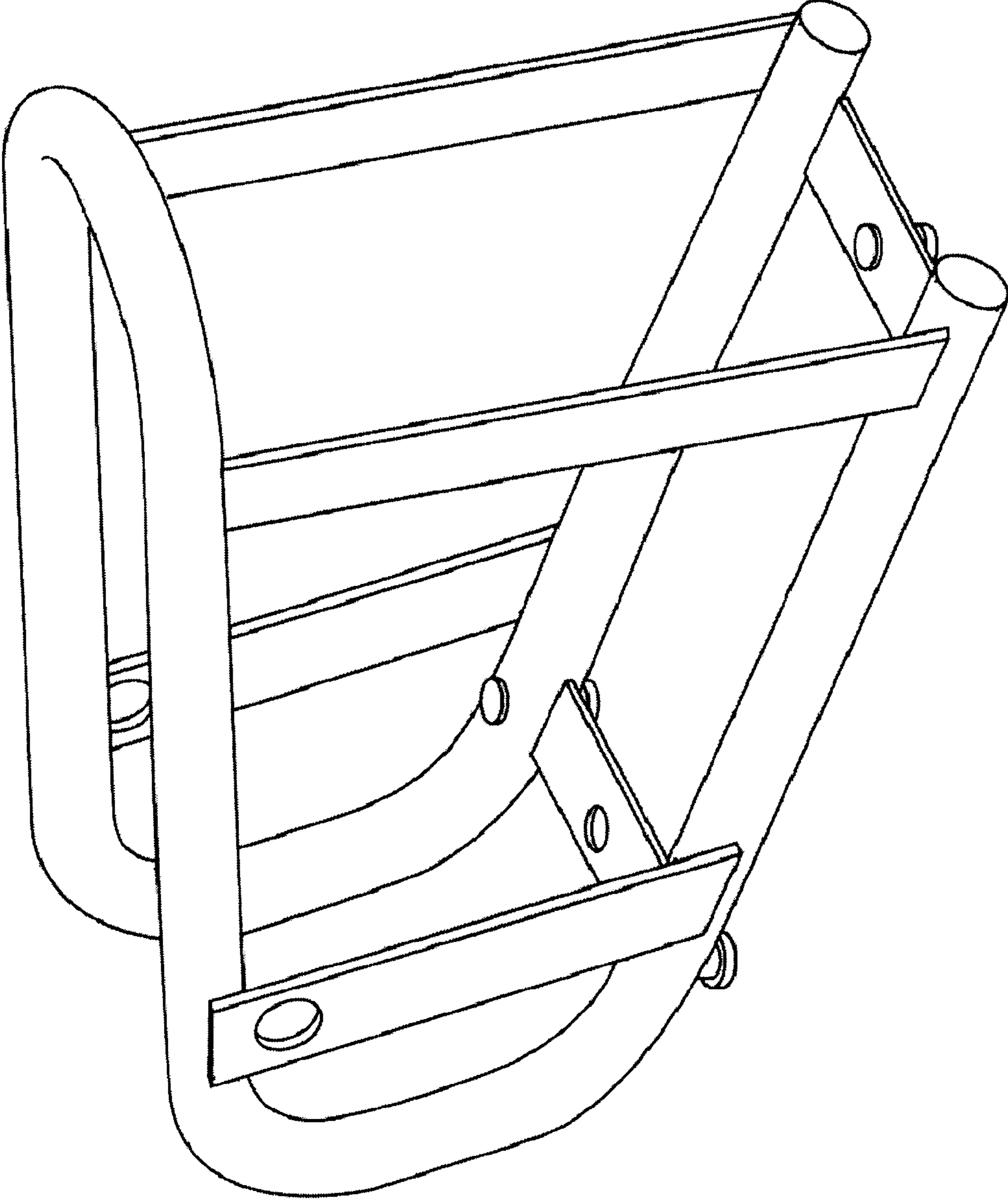


Fig. 1

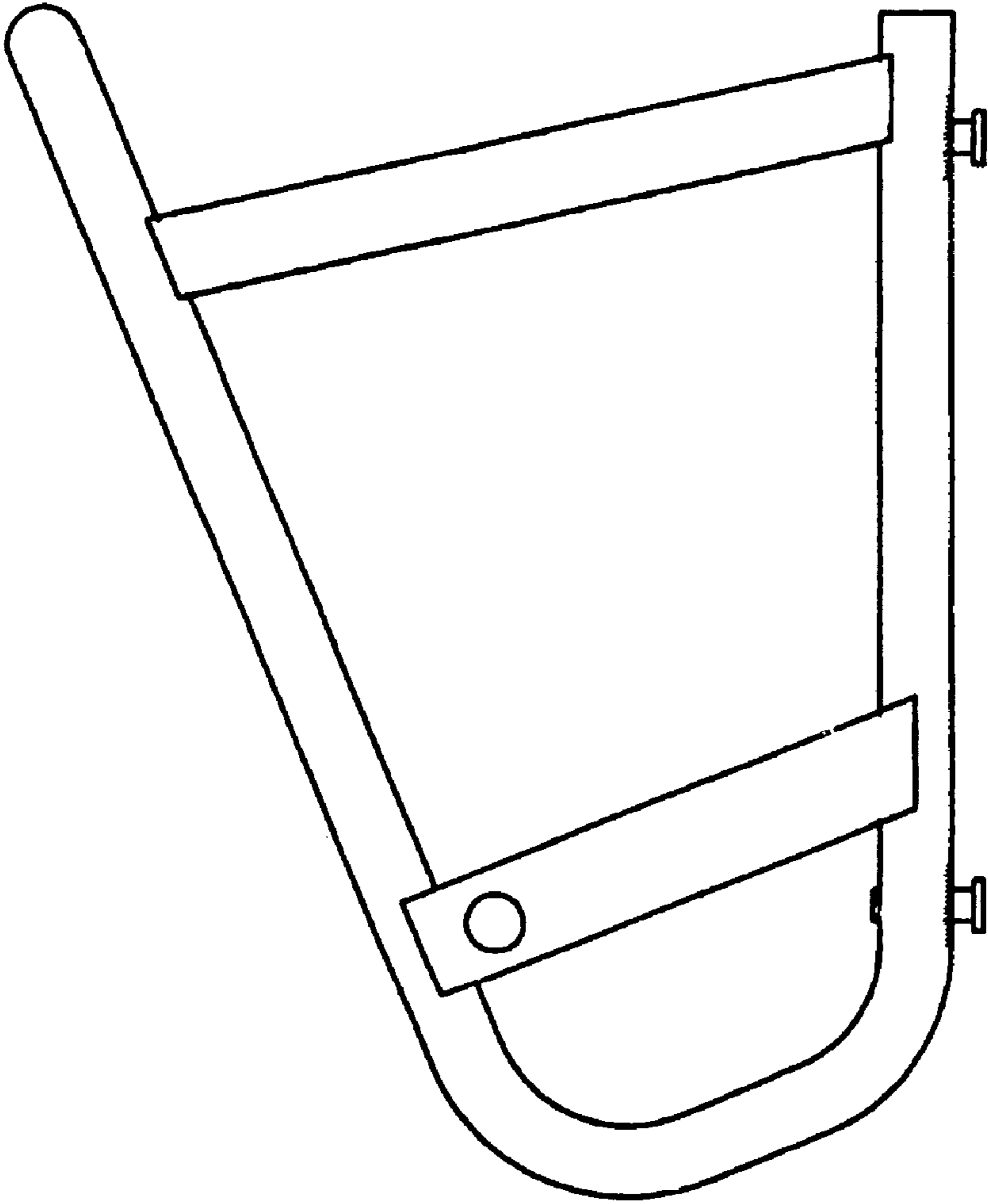


Figure 2

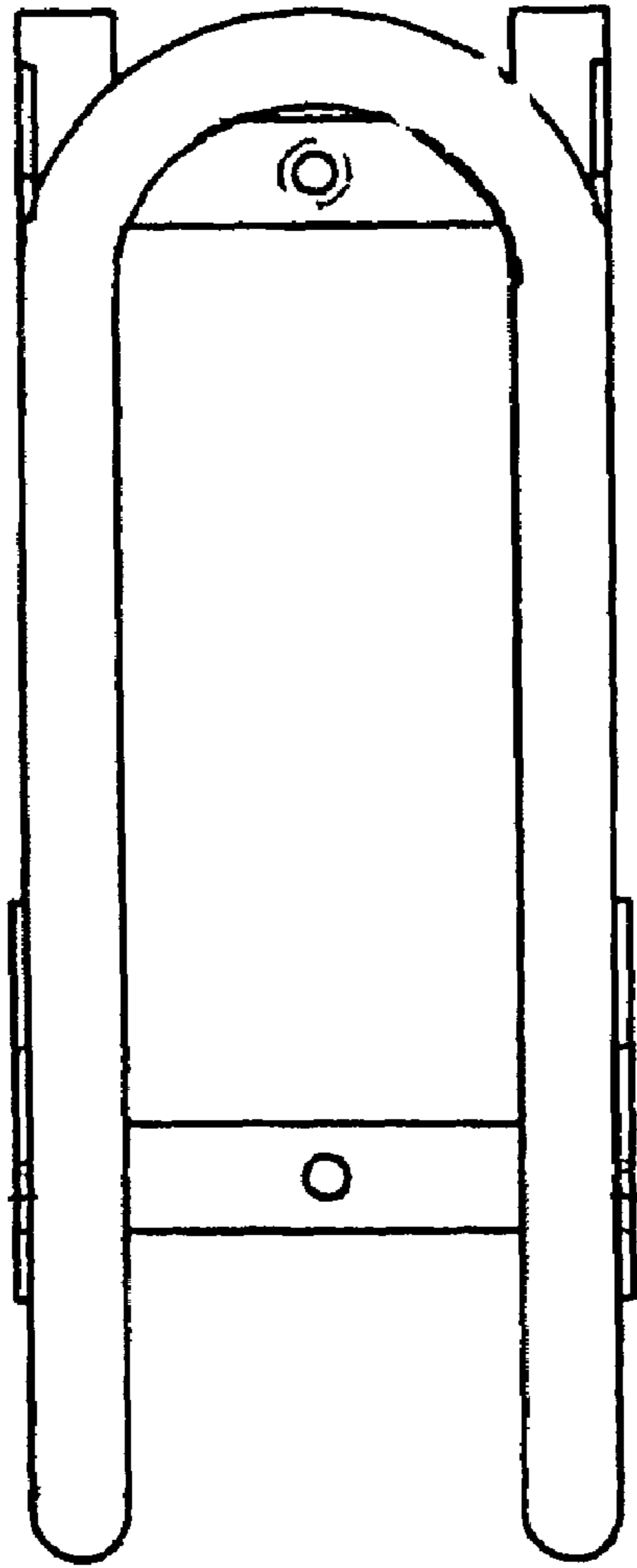


Figure 3

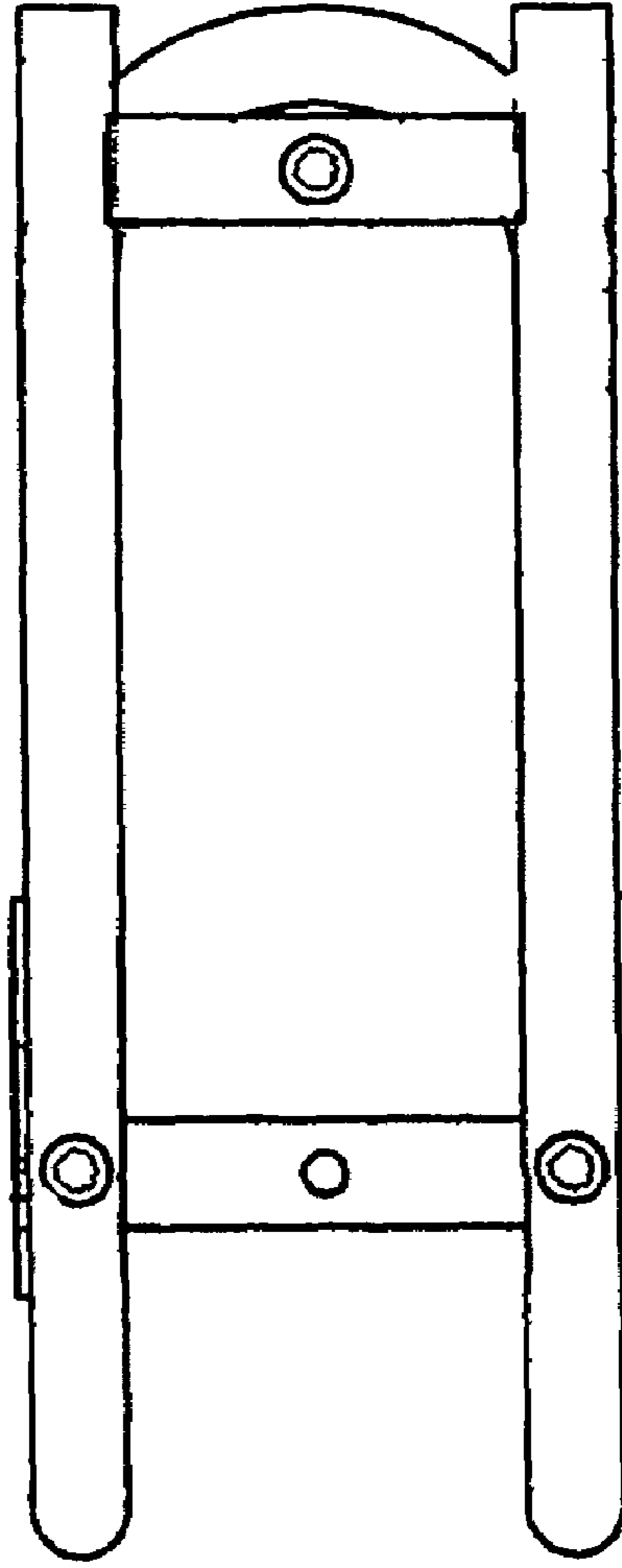


Figure 4

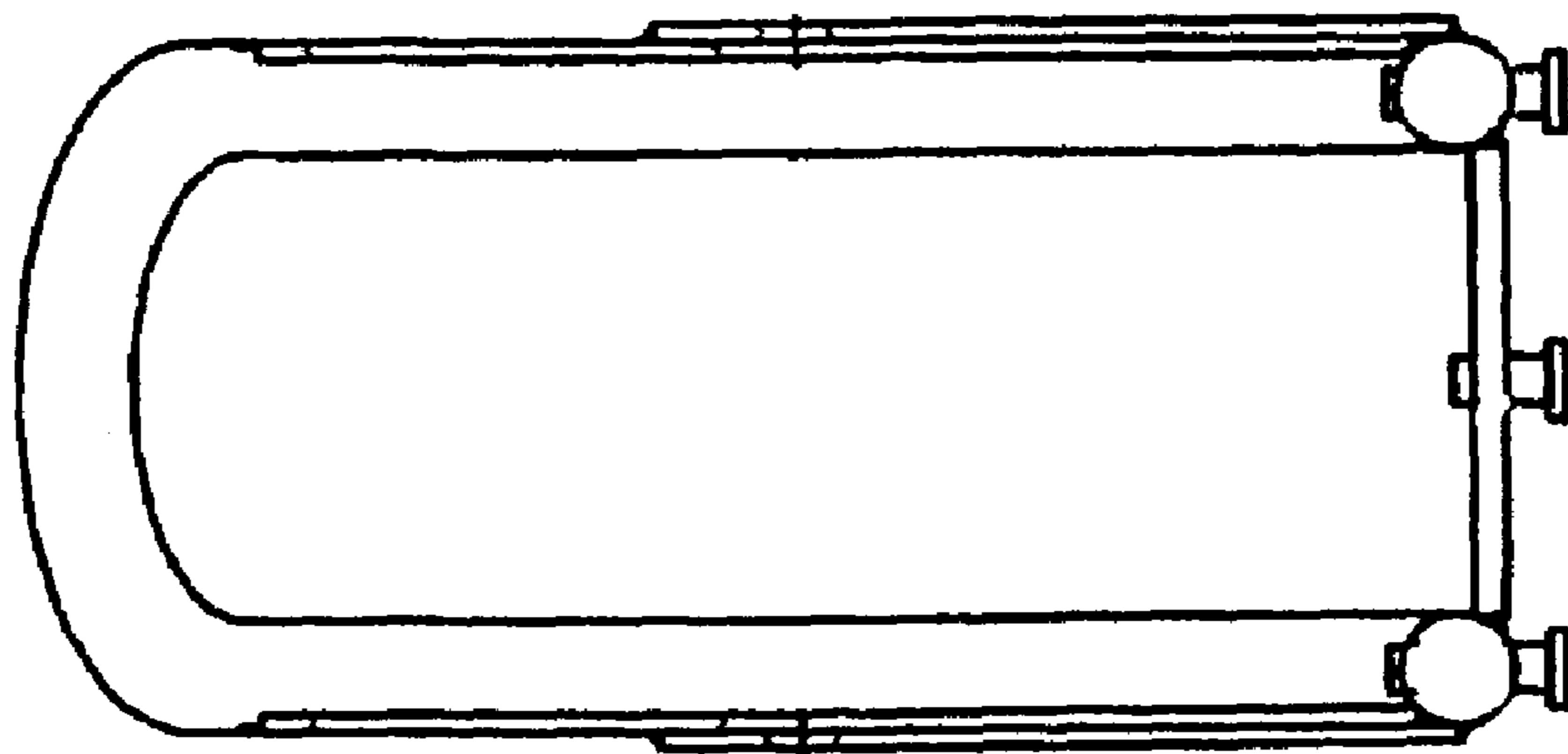


Figure 5