

US00D566023S

(12) **United States Design Patent**  
**Pacleb**

(10) **Patent No.:** **US D566,023 S**

(45) **Date of Patent:** **\*\* Apr. 8, 2008**

(54) **TOP/BOTTOM INSERT LICENSE PLATE  
HOLDER**

(76) **Inventor:** **Jesus Pacleb**, 7571 Westbrook Ave.,  
San Diego, CA (US) 92139-3979

(\*\*) **Term:** **14 Years**

(21) **Appl. No.:** **29/283,104**

(22) **Filed:** **Aug. 6, 2007**

(51) **LOC (8) Cl.** ..... **12-16**

(52) **U.S. Cl.** ..... **D12/193**

(58) **Field of Classification Search** ..... D12/193;  
D6/300-303, 310-314; 40/200-203, 207-216  
See application file for complete search history.

(56) **References Cited**

**U.S. PATENT DOCUMENTS**

D163,320 S *	5/1951	Forrett	.....	D12/193
D245,497 S *	8/1977	Ritch	.....	D12/193
D332,247 S *	1/1993	Wilson	.....	D12/193
D333,490 S *	2/1993	Engelberts	.....	D20/13
D370,450 S *	6/1996	Doan	.....	D12/193

D413,848 S *	9/1999	Doerr	.....	D12/193
D435,819 S *	1/2001	Spencer	.....	D12/193
D488,418 S *	4/2004	Russo	.....	D12/193
D502,434 S *	3/2005	Leibman	.....	D12/193
D546,256 S *	7/2007	Fischer, III	.....	D12/193

\* cited by examiner

*Primary Examiner*—Stacia Cadmus

(74) *Attorney, Agent, or Firm*—Lisel M. Ferguson;  
Procopio, Cory, Hargreaves & Savitch LLP

(57) **CLAIM**

The ornamental design for a top/bottom insert license plate holder, shown and described.

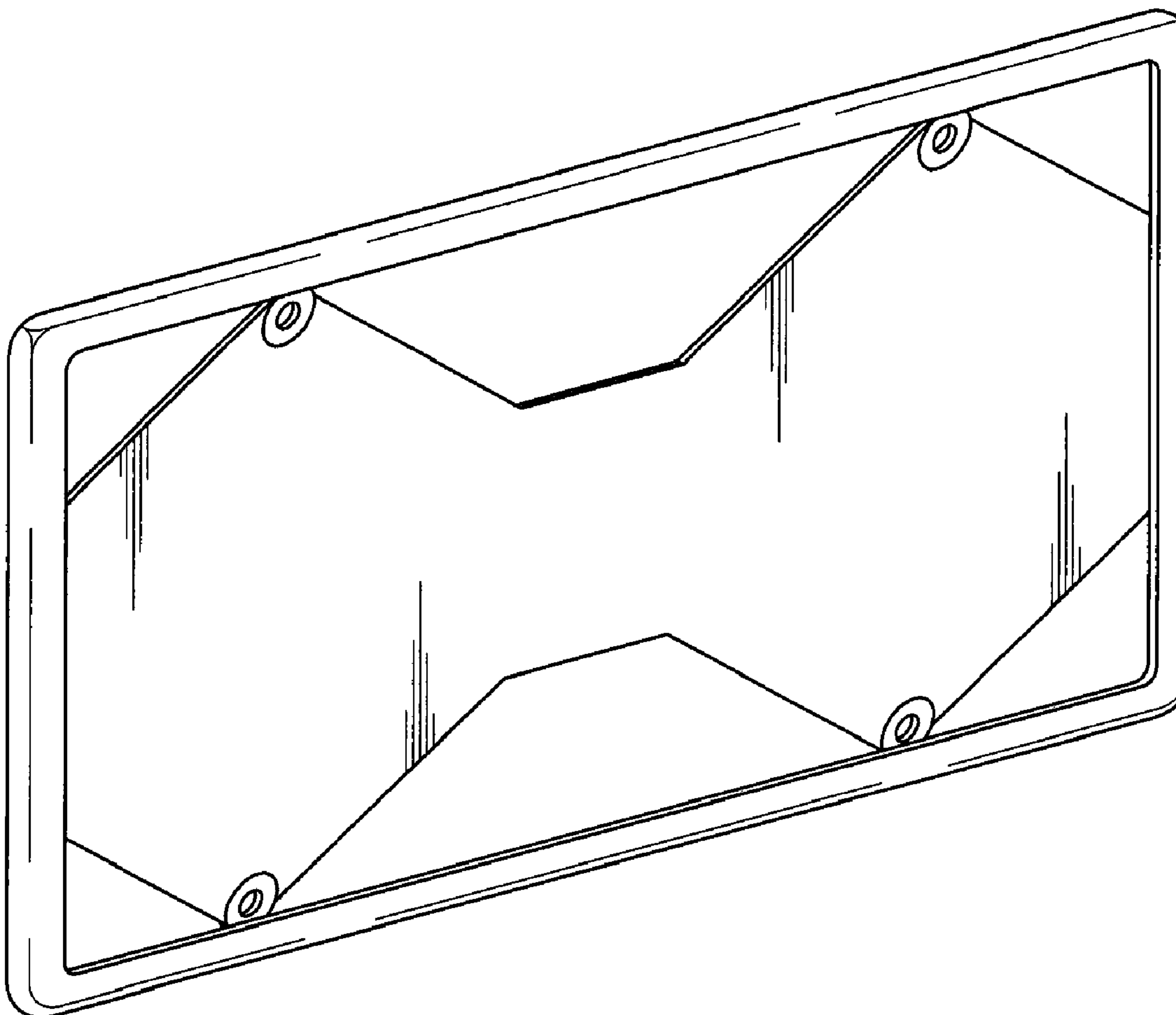
**DESCRIPTION**

FIG. 1 is a rear view of the side insert license plate holder showing my new design;

FIG. 2 is a section view thereof taken from line 2—2 in FIG. 1; and,

FIG. 3 is a front perspective view of the top/bottom insert license plate holder showing my new design.

**1 Claim, 1 Drawing Sheet**



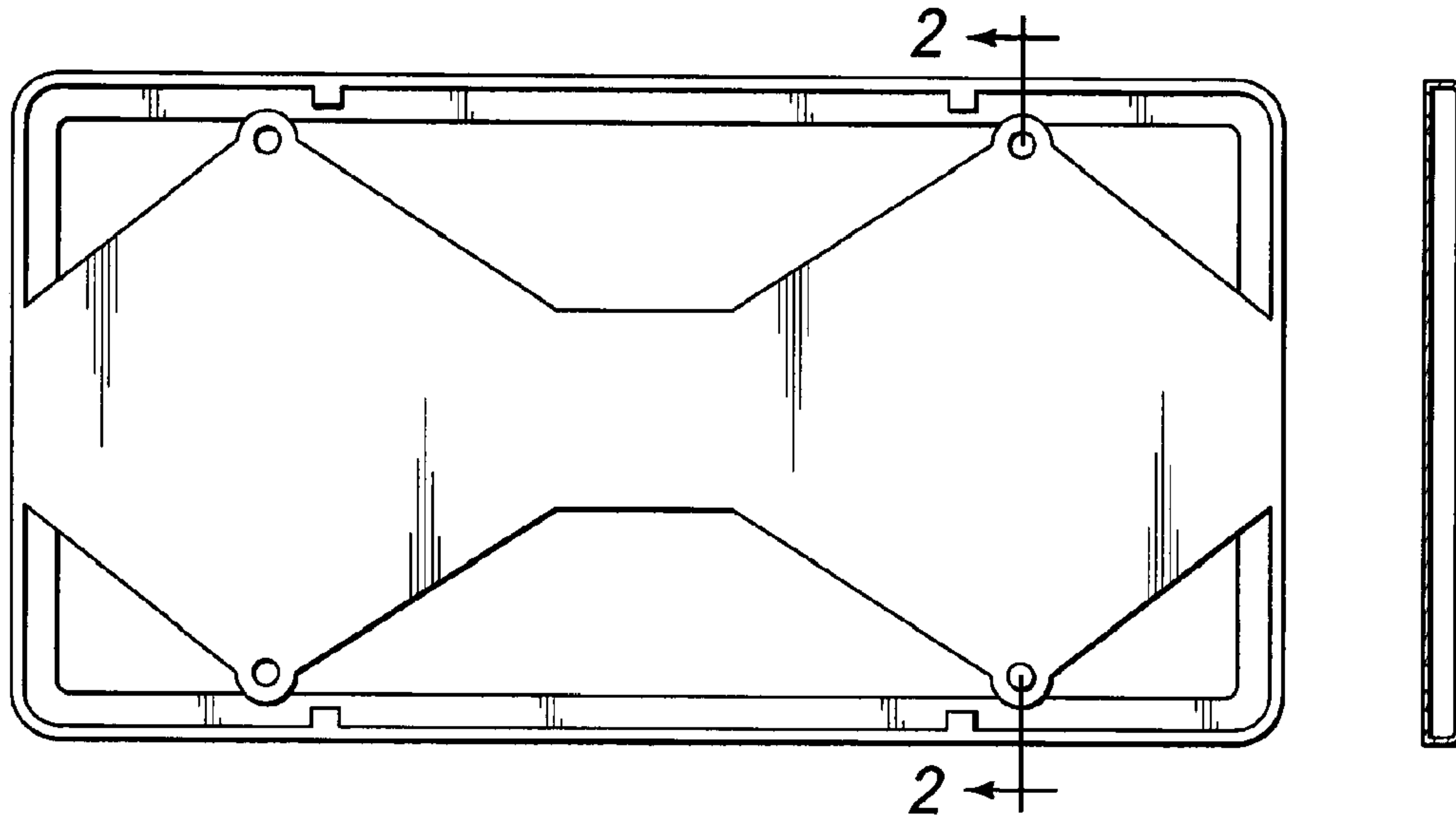


FIG. 1

FIG. 2

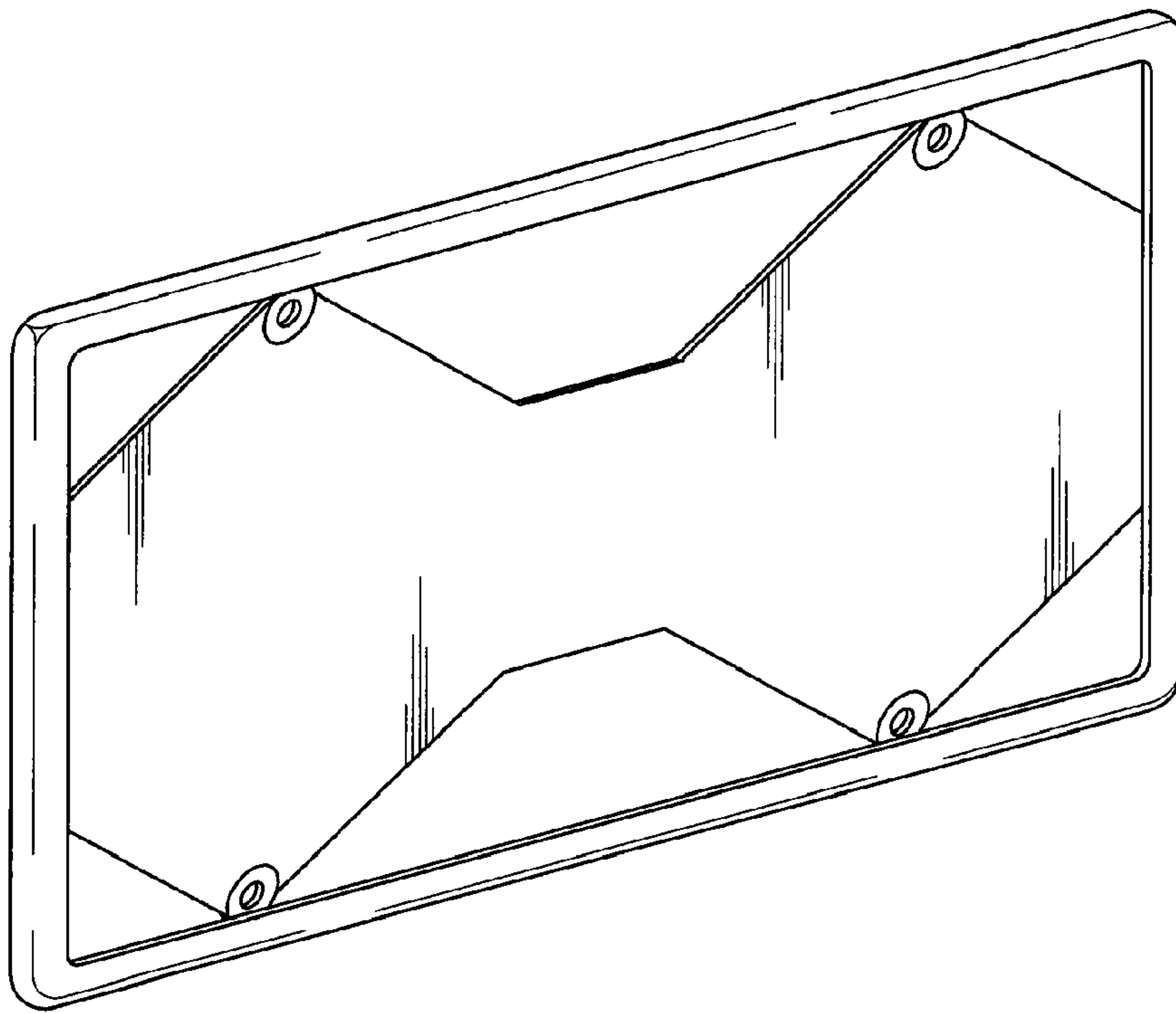


FIG. 3