



US00D566019S

(12) **United States Design Patent**
Tomatsu et al.

(10) **Patent No.:** **US D566,019 S**

(45) **Date of Patent:** **** Apr. 8, 2008**

(54) **FRONT BUMPER FOR AN AUTOMOBILE**

Brochure of Kluger Hybrid, Toyota Kluger Hybrid, Mar. 2005, Toyota Jidosha Kabushiki Kaisha.

(75) Inventors: **Nobuyuki Tomatsu**, Toyota (JP); **Tetsu Endoh**, Kariya (JP)

* cited by examiner

(73) Assignee: **Toyota Jidosha Kabushiki Kaisha**, Toyota (JP)

Primary Examiner—Melody N. Brown

(74) *Attorney, Agent, or Firm*—Finnegan, Henderson, Farabow, Garrett & Dunner, L.L.P.

(**) Term: **14 Years**

(21) Appl. No.: **29/274,363**

(57) **CLAIM**

(22) Filed: **Apr. 20, 2007**

The ornamental design for a front bumper for an automobile as shown and described.

(51) **LOC (8) Cl.** **12-16**

(52) **U.S. Cl.** **D12/169**

(58) **Field of Classification Search** D12/90–92,
D12/86, 169, 196, 163; 296/193.1, 181.1;
293/102, 113, 115, 117, 120

See application file for complete search history.

DESCRIPTION

(56) **References Cited**

U.S. PATENT DOCUMENTS

| | | | |
|--------------|--------|---------------------|---------|
| D473,167 S | 4/2003 | Shiono | |
| D525,922 S * | 8/2006 | Taguchi et al. | D12/169 |
| D526,254 S | 8/2006 | Sowa | |
| D528,051 S * | 9/2006 | Fukui et al. | D12/169 |
| D535,229 S * | 1/2007 | Hara et al. | D12/169 |
| D544,415 S * | 6/2007 | Okamoto | D12/169 |

FIG. 1 is a right-front, perspective view of a front bumper for an automobile of our new design;

FIG. 2 is a front view thereof;

FIG. 3 is a top view thereof;

FIG. 4 is a bottom view thereof;

FIG. 5 is a left-side view thereof; and,

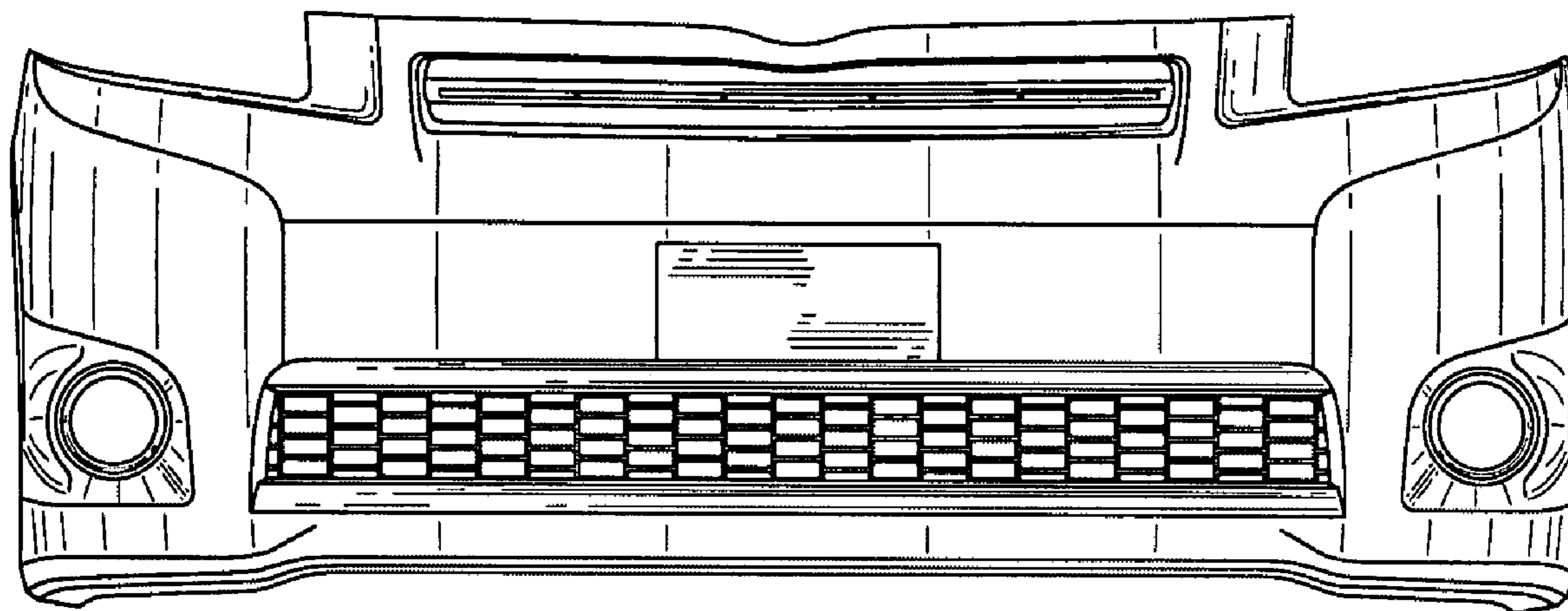
FIG. 6 is a right-side view thereof.

The rear of the bumper is not seen during ordinary use and forms no part of the claimed design.

OTHER PUBLICATIONS

Brochure of Elgrand Highway Star, Nissan Elgrand Highway Star, May 2002, Nissan Motor Co., Ltd.

1 Claim, 4 Drawing Sheets



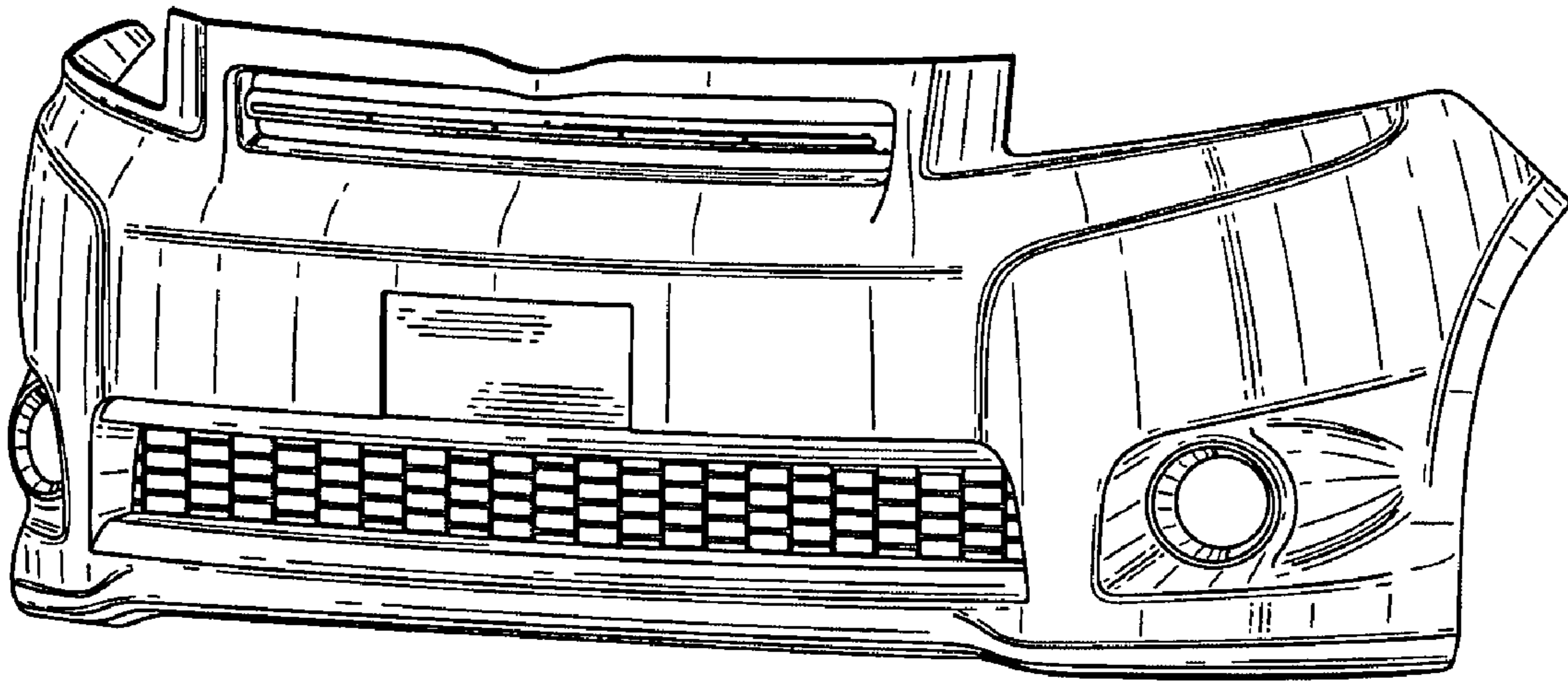


FIG. 1

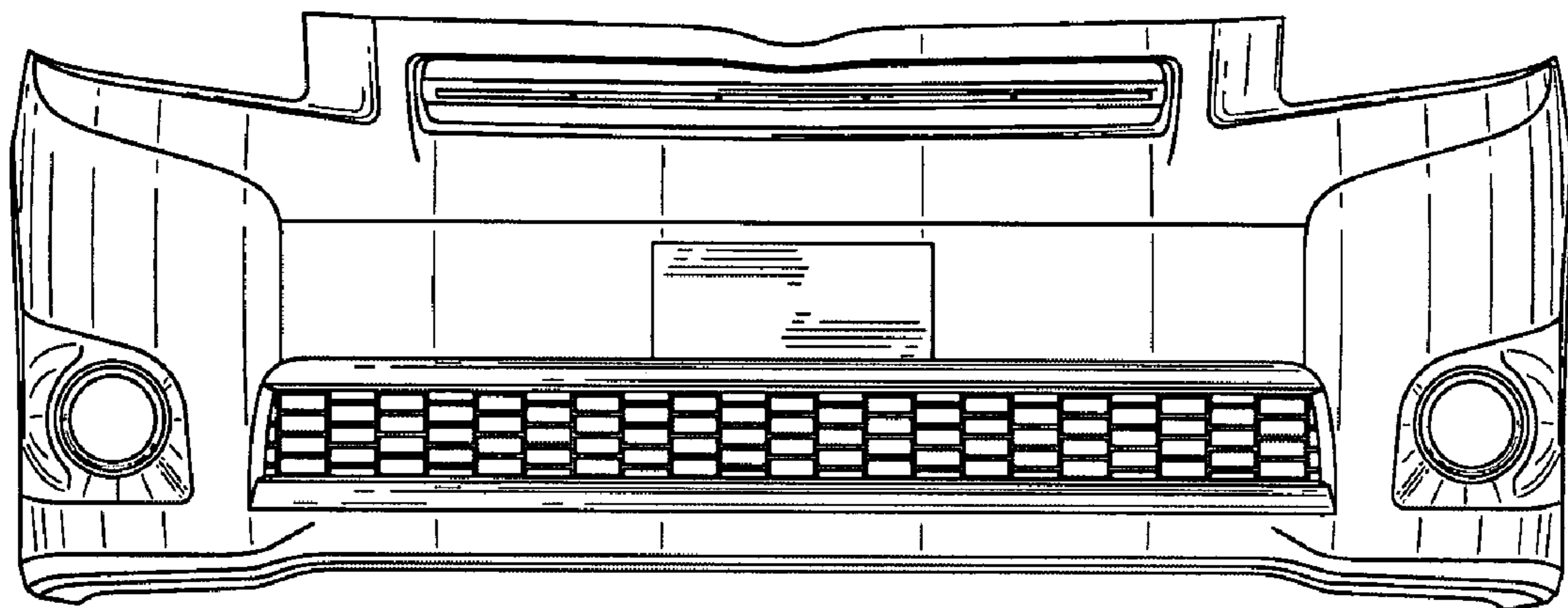


FIG. 2



FIG. 3

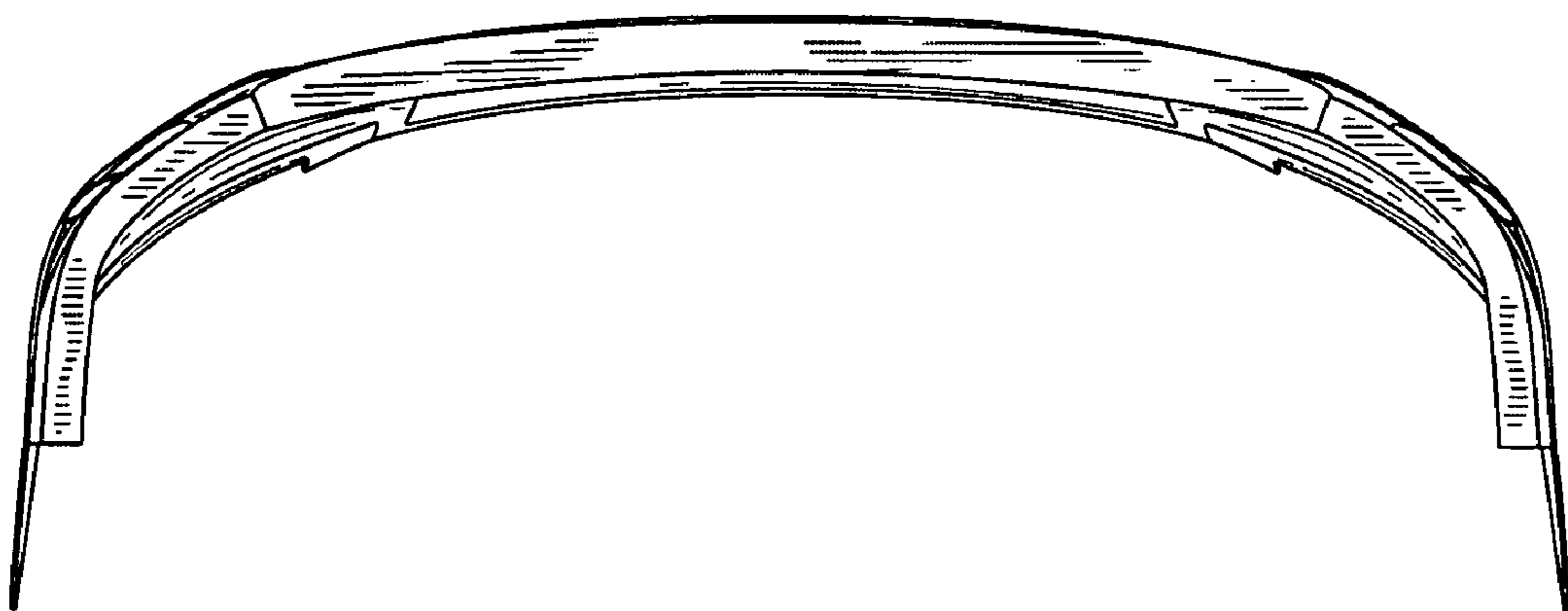


FIG. 4

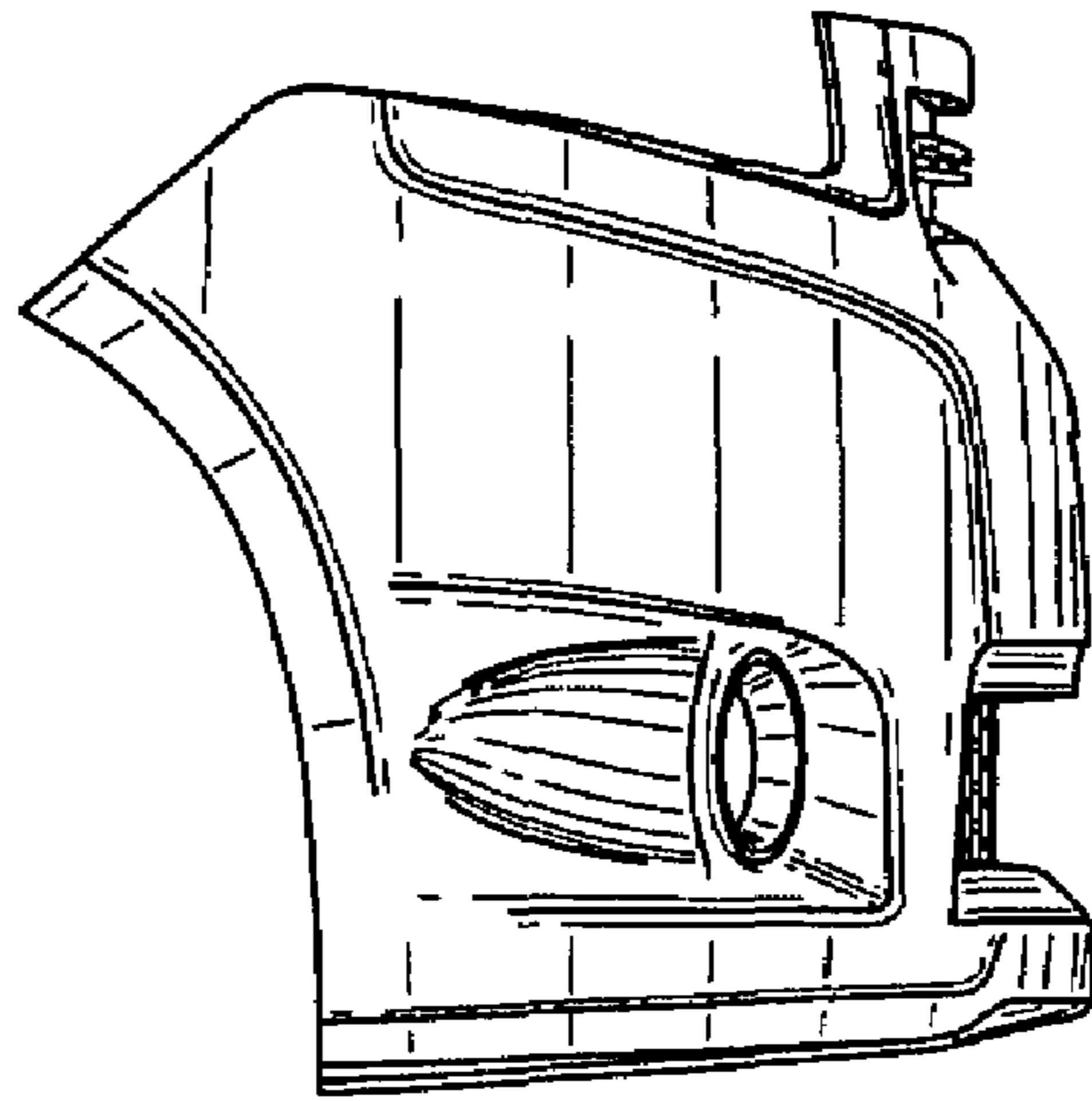


FIG. 5

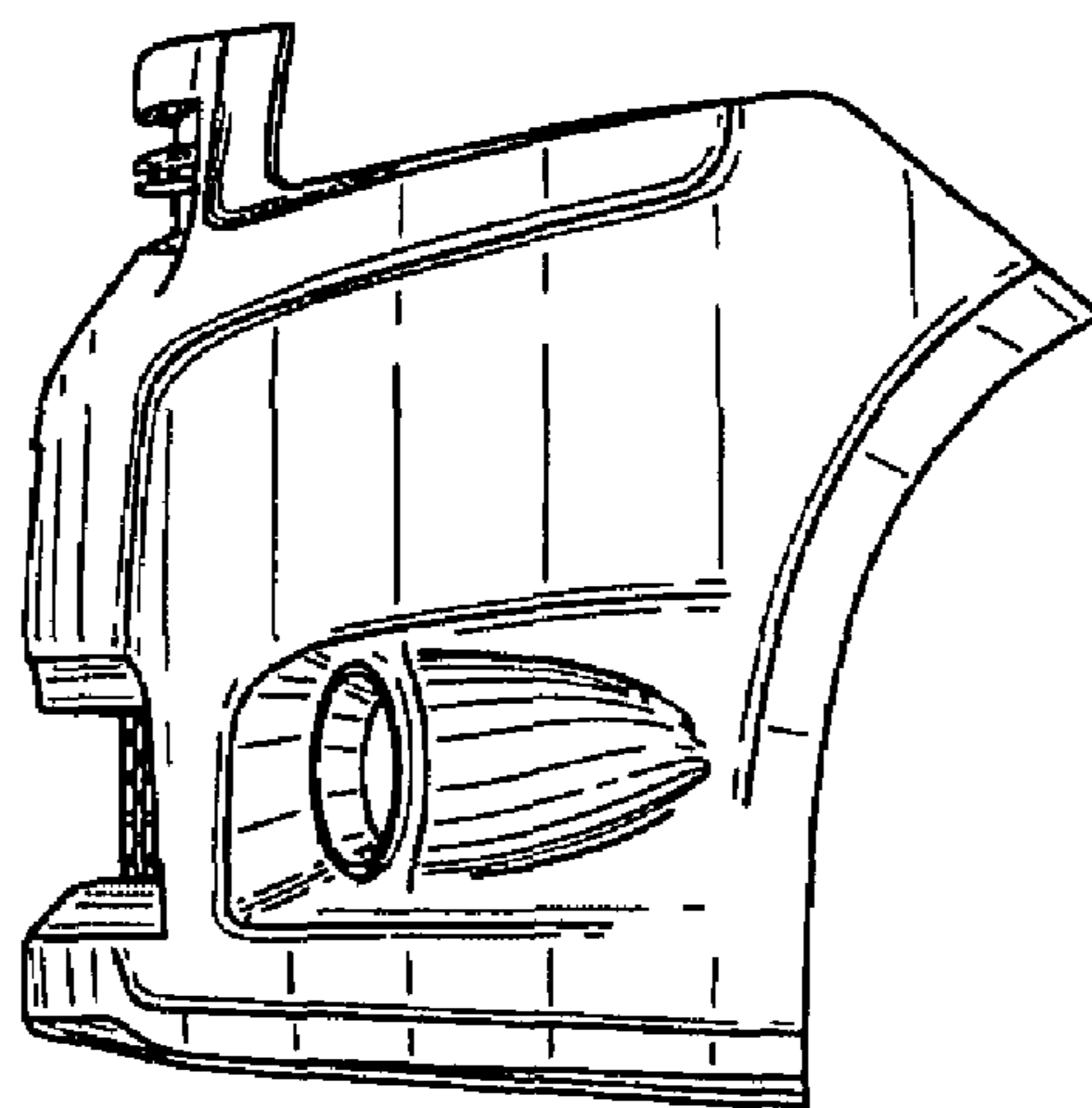


FIG. 6