



US00D566014S

(12) **United States Design Patent**
Myers

(10) **Patent No.:** **US D566,014 S**

(45) **Date of Patent:** **** Apr. 8, 2008**

(54) **BABY STROLLER FRAME**

(75) Inventor: **Pete Jonathan Myers**, Wheaton, IL
(US)

(73) Assignee: **Baby Planet LLC**, Des Plaines, IL
(US)

(**) Term: **14 Years**

(21) Appl. No.: **29/250,255**

(22) Filed: **Nov. 8, 2006**

(51) **LOC (8) Cl.** **12-12**

(52) **U.S. Cl.** **D12/133**

(58) **Field of Classification Search** D12/128-133;
296/65.03, 65.04; 224/409; 297/DIG. 4;
280/62, 647-650, 29, 200, 47.38, 250.1,
280/259, 642, 658

See application file for complete search history.

(56) **References Cited**

U.S. PATENT DOCUMENTS

6,719,319 B2 *	4/2004	Liao	280/654
D505,366 S *	5/2005	Refsum et al.	D12/129
D510,716 S *	10/2005	Refsum et al.	D12/129
D526,601 S *	8/2006	Oxseth	D12/129

* cited by examiner

Primary Examiner—Charles A. Rademaker

Assistant Examiner—Charles D Hanson

(74) *Attorney, Agent, or Firm*—Miller, Matthias, & Hull

(57) **CLAIM**

The ornamental design for a baby stroller frame, as shown and described.

DESCRIPTION

FIG. 1 is a perspective view showing a first embodiment of baby stroller frame;

FIG. 2 is a right side view of a baby stroller frame FIG. 1, the left side being a mirror image thereof;

FIG. 3 is a front view of the baby stroller frame of FIG. 1;

FIG. 4 is a top view of the baby stroller frame of FIG. 1;

FIG. 5 is a bottom view of the baby stroller frame of FIG. 1; and,

FIG. 6 is a rear view of the baby stroller frame of FIG. 1.

The broken lines shown appearing in FIGS. 1-6 are for the purpose of illustration only, and form no part of the claimed design.

1 Claim, 5 Drawing Sheets

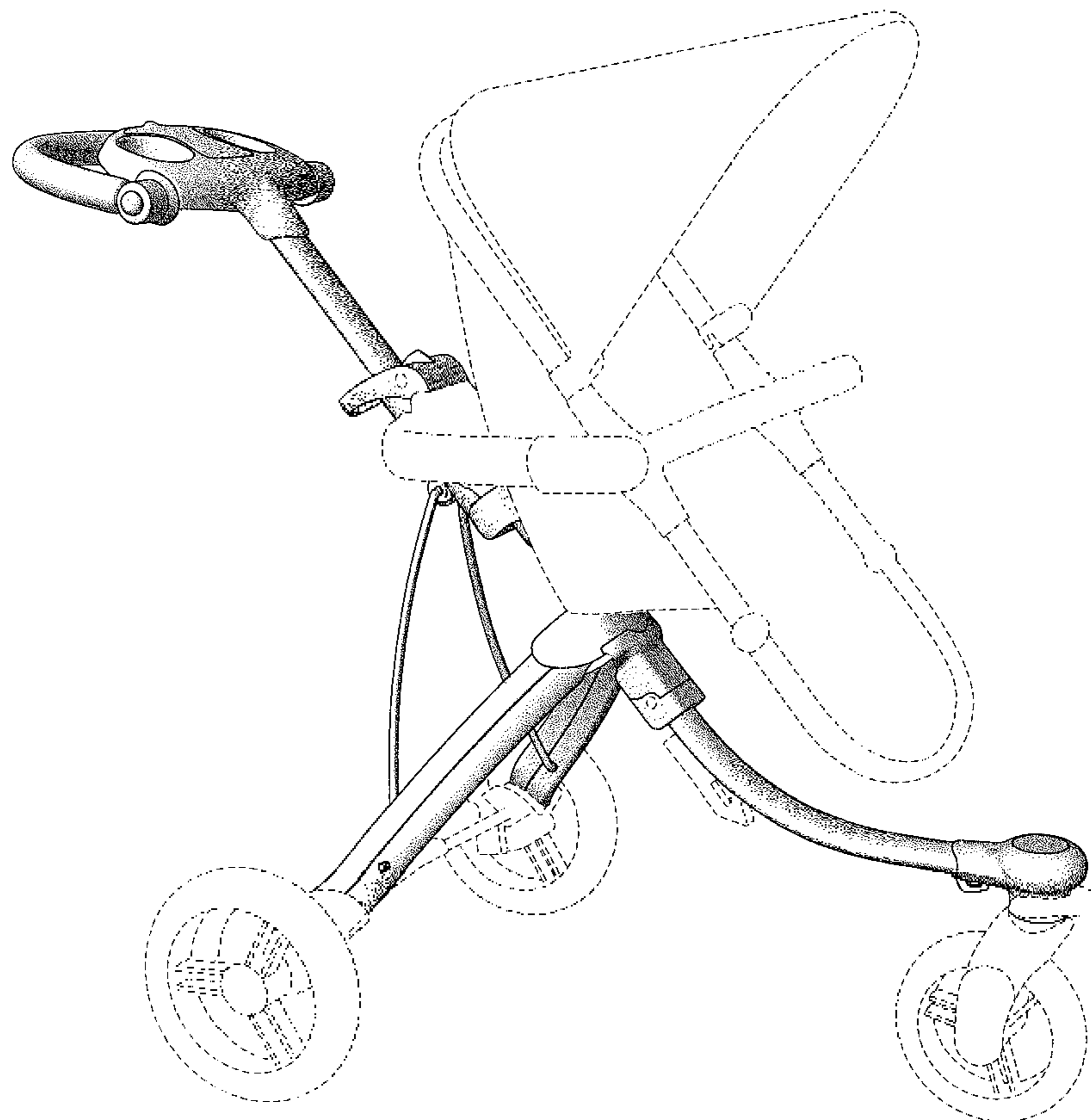


FIG. 1

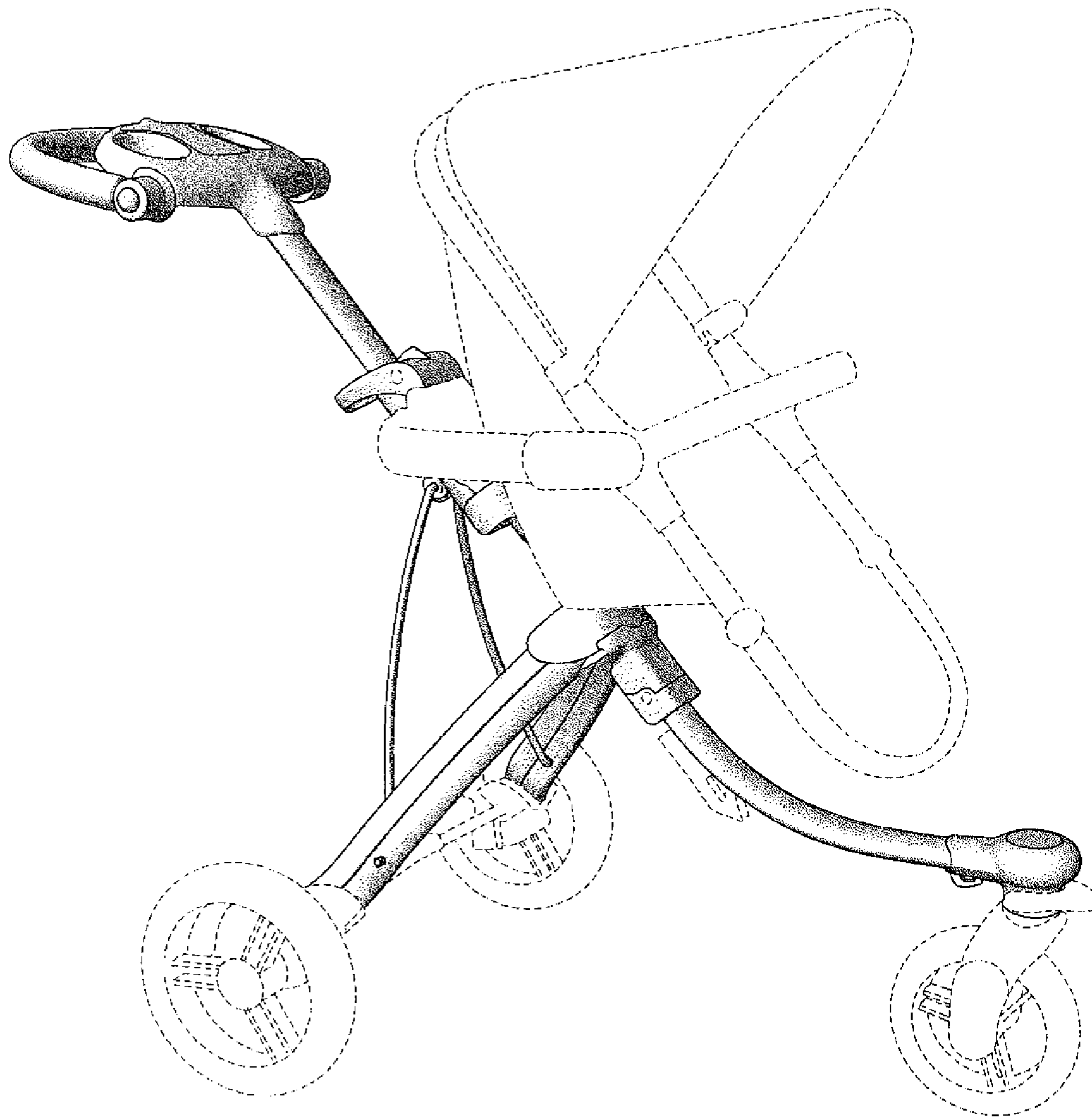


FIG. 2

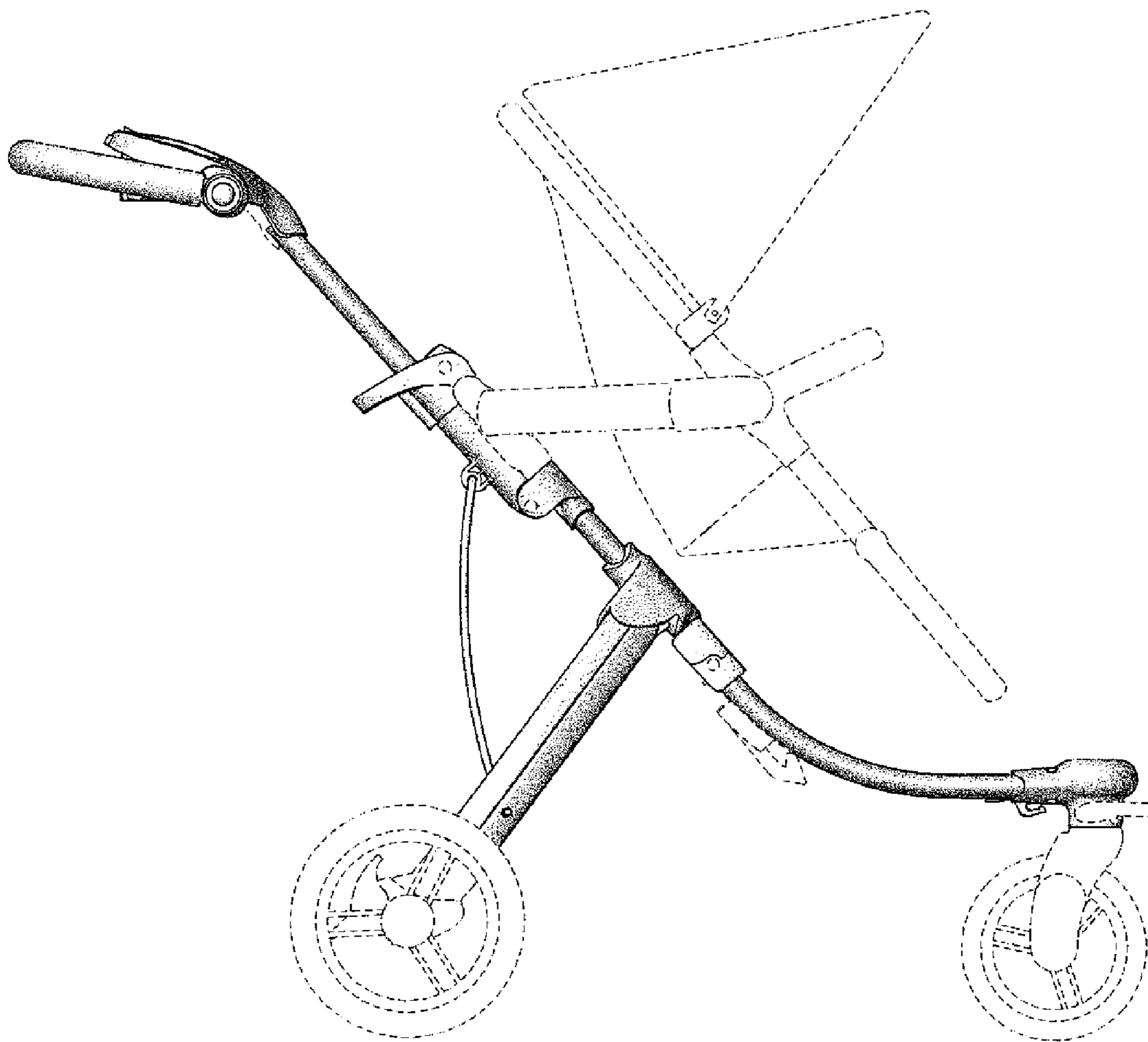


FIG. 3

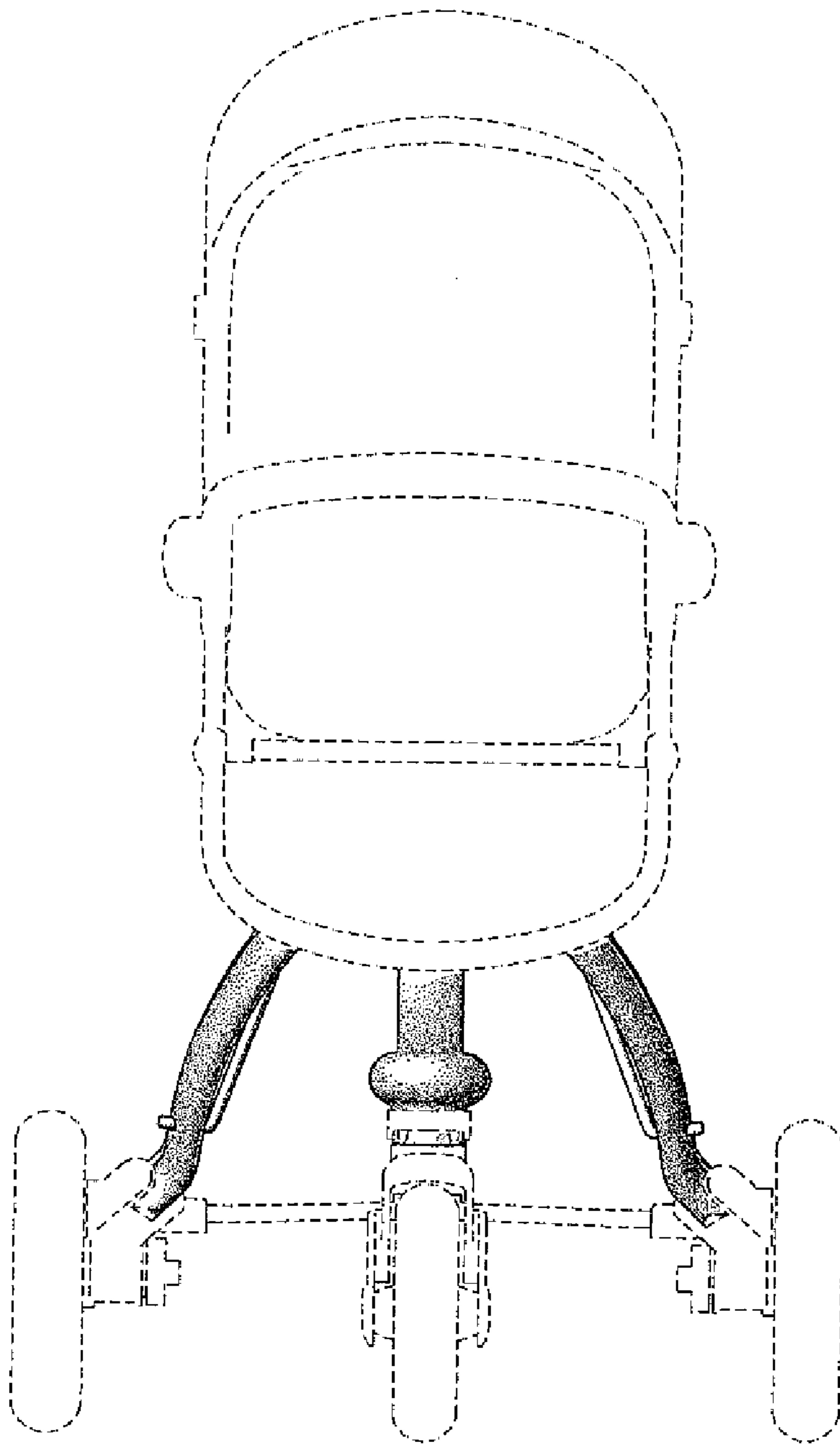


FIG. 4

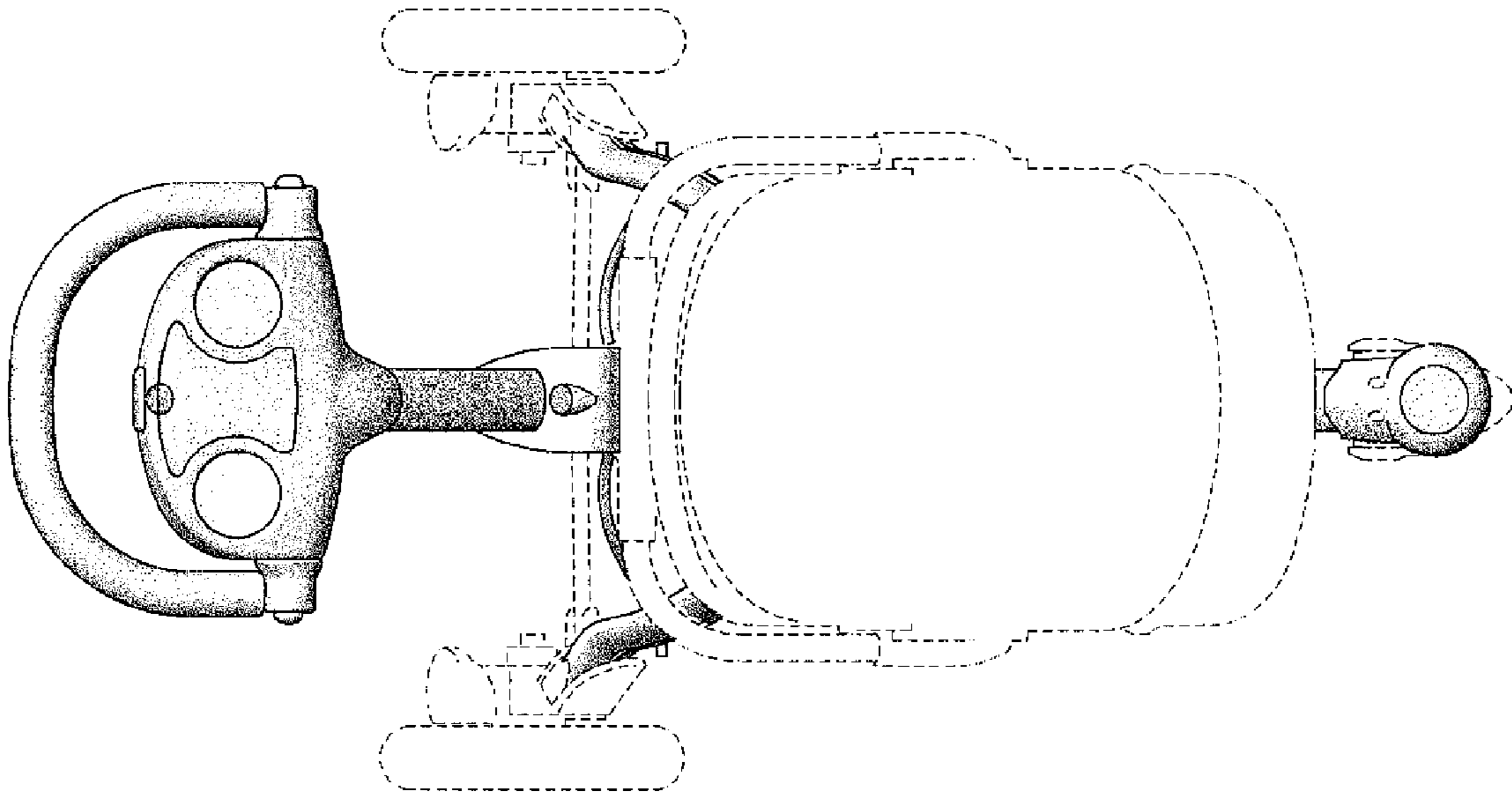


FIG. 5

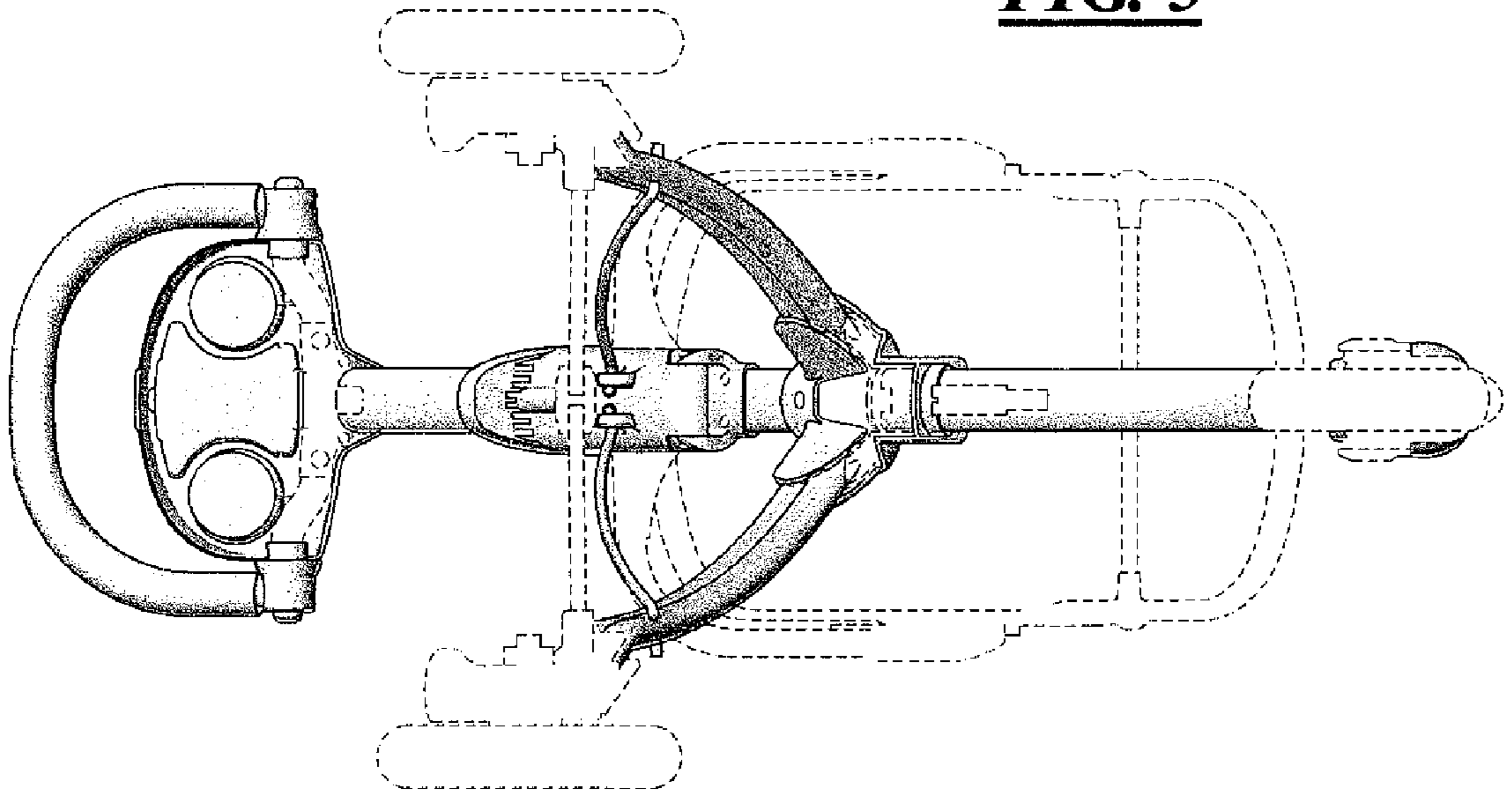


FIG. 6

