



US00D566013S

(12) **United States Design Patent**
Wang

(10) **Patent No.:** **US D566,013 S**

(45) **Date of Patent:** **** Apr. 8, 2008**

(54) **STROLLER**

7,044,497 B2 * 5/2006 Hartenstine et al. 280/642
7,229,083 B2 * 6/2007 Arai et al. 280/47.38

(76) Inventor: **Kun Wang**, P.O. Box 697, Fongyuan
City, Taichung County (TW) 420

* cited by examiner

(**) Term: **14 Years**

Primary Examiner—Charles A. Rademaker
Assistant Examiner—Charles D Hanson

(21) Appl. No.: **29/267,146**

(57) **CLAIM**

(22) Filed: **Oct. 6, 2006**

The ornamental design for a stroller, as shown.

(51) **LOC (8) Cl.** **12-12**

(52) **U.S. Cl.** **D12/129**

(58) **Field of Classification Search** D12/128–133;
296/65.03, 65.04; 224/409; 297/DIG. 4;
280/62, 647–650, 29, 200, 47.38, 250.1,
280/259, 642, 658

DESCRIPTION

See application file for complete search history.

FIG. 1 is a perspective view of a stroller showing my new design;

FIG. 2 is a right side elevational view thereof;

FIG. 3 is a top plan view thereof;

FIG. 4 is a front elevational view thereof;

FIG. 5 is a bottom plan view thereof;

FIG. 6 is a left side elevational view thereof; and,

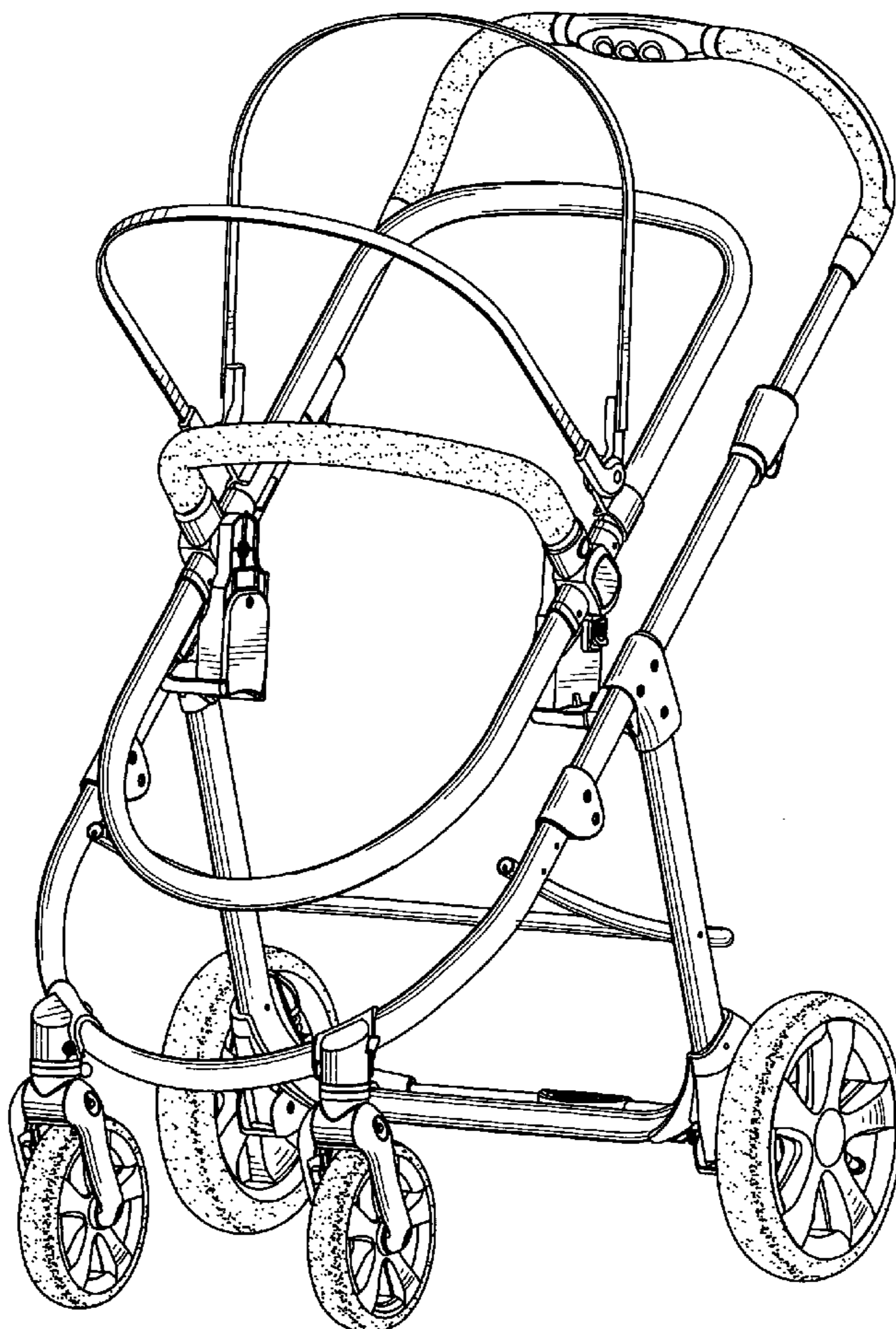
FIG. 7 is a rear elevational view thereof.

(56) **References Cited**

U.S. PATENT DOCUMENTS

D359,015 S *	6/1995	Wang	D12/129
D444,738 S *	7/2001	Lan	D12/129
6,581,957 B1 *	6/2003	Lan	280/642
D486,099 S *	2/2004	Chen	D12/129

1 Claim, 7 Drawing Sheets



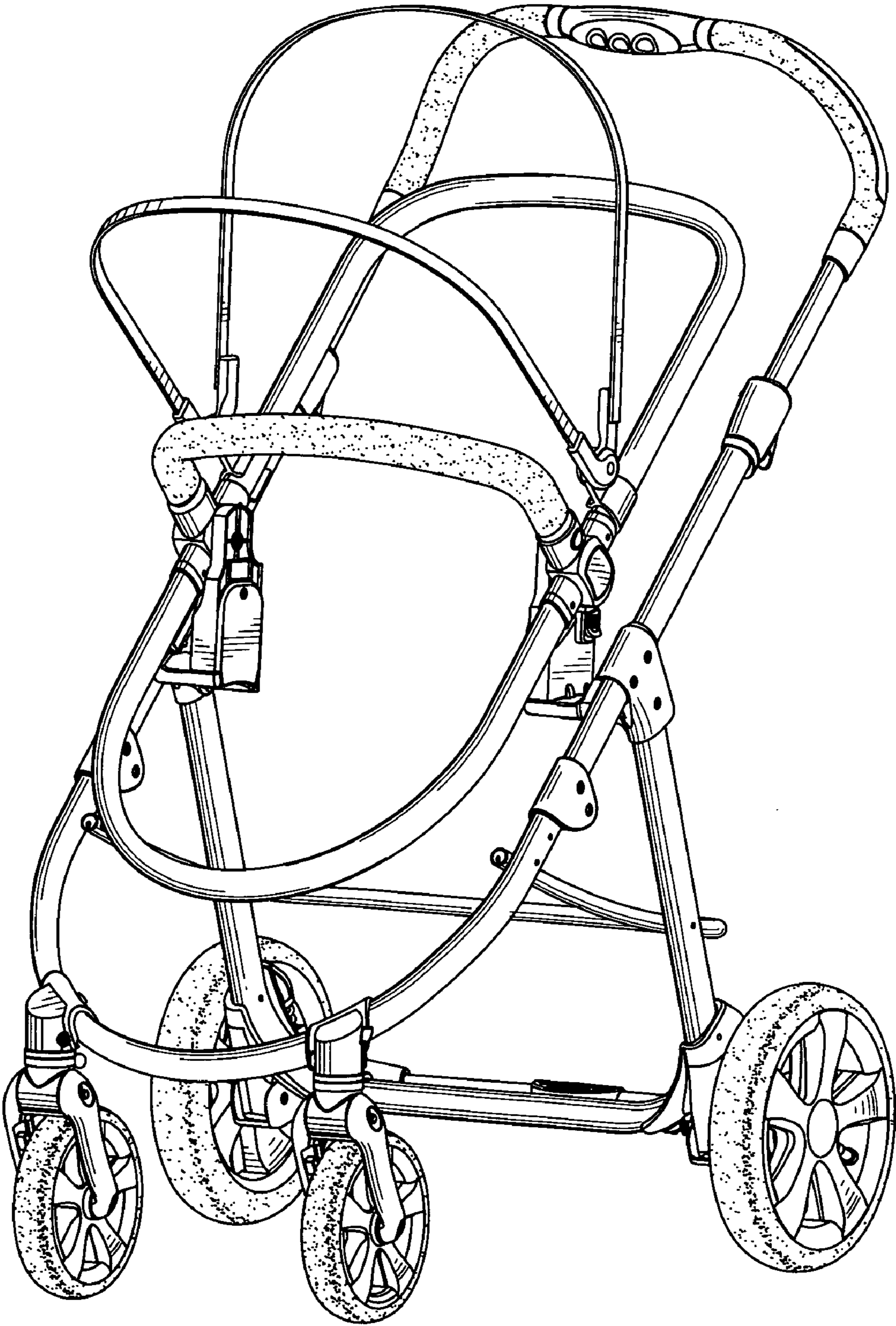


FIG. 1

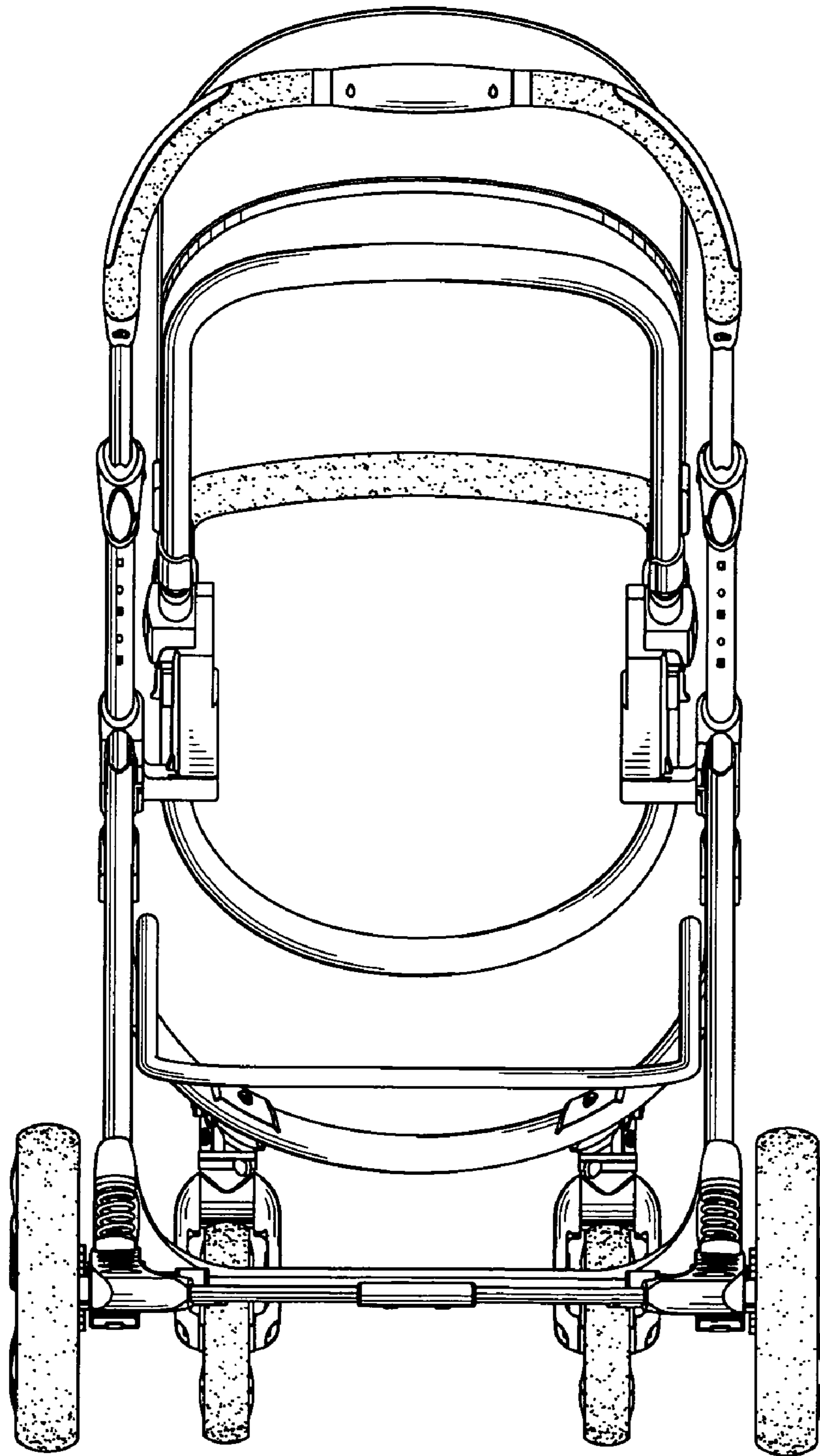


FIG. 2

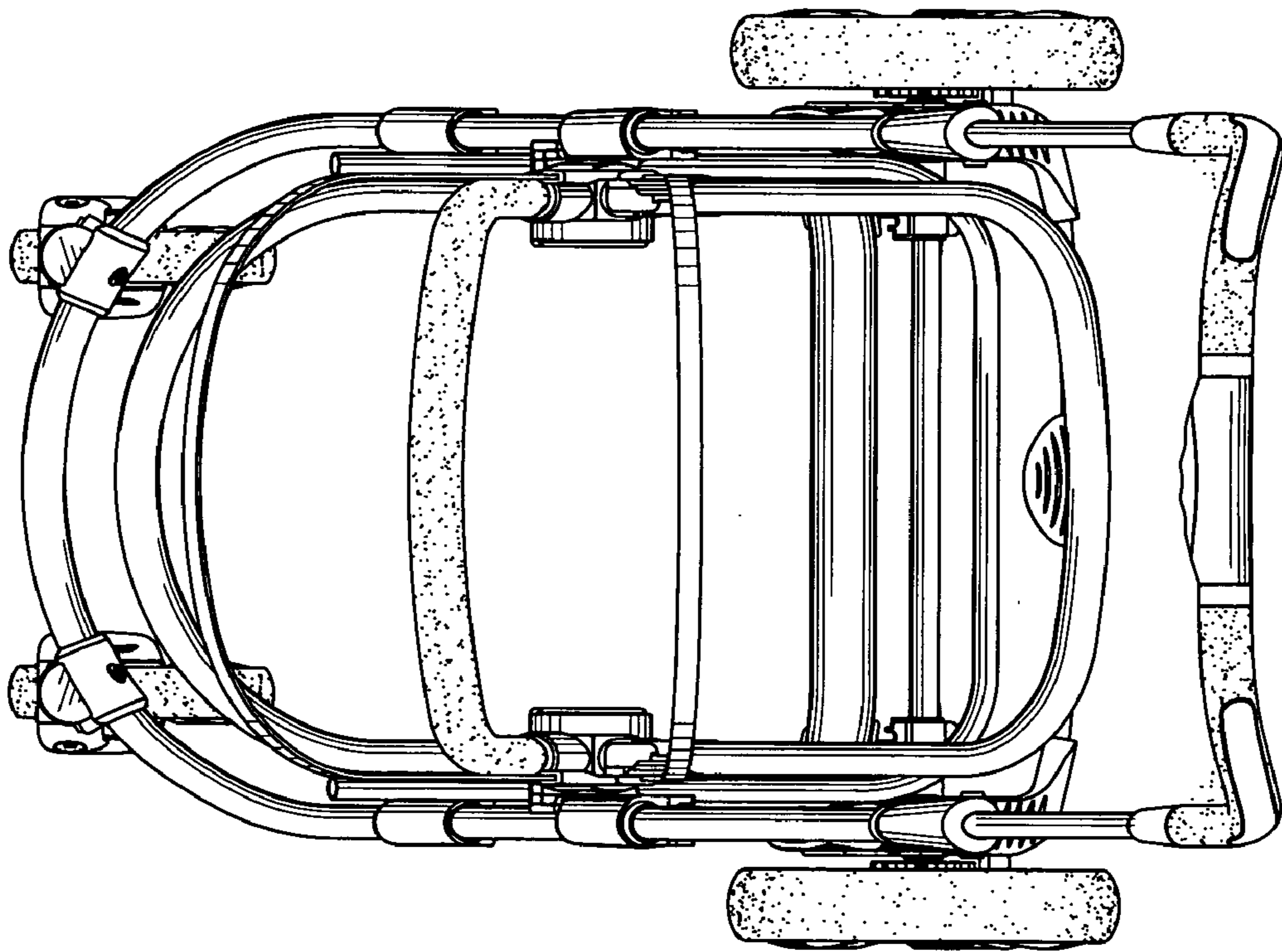


FIG. 3

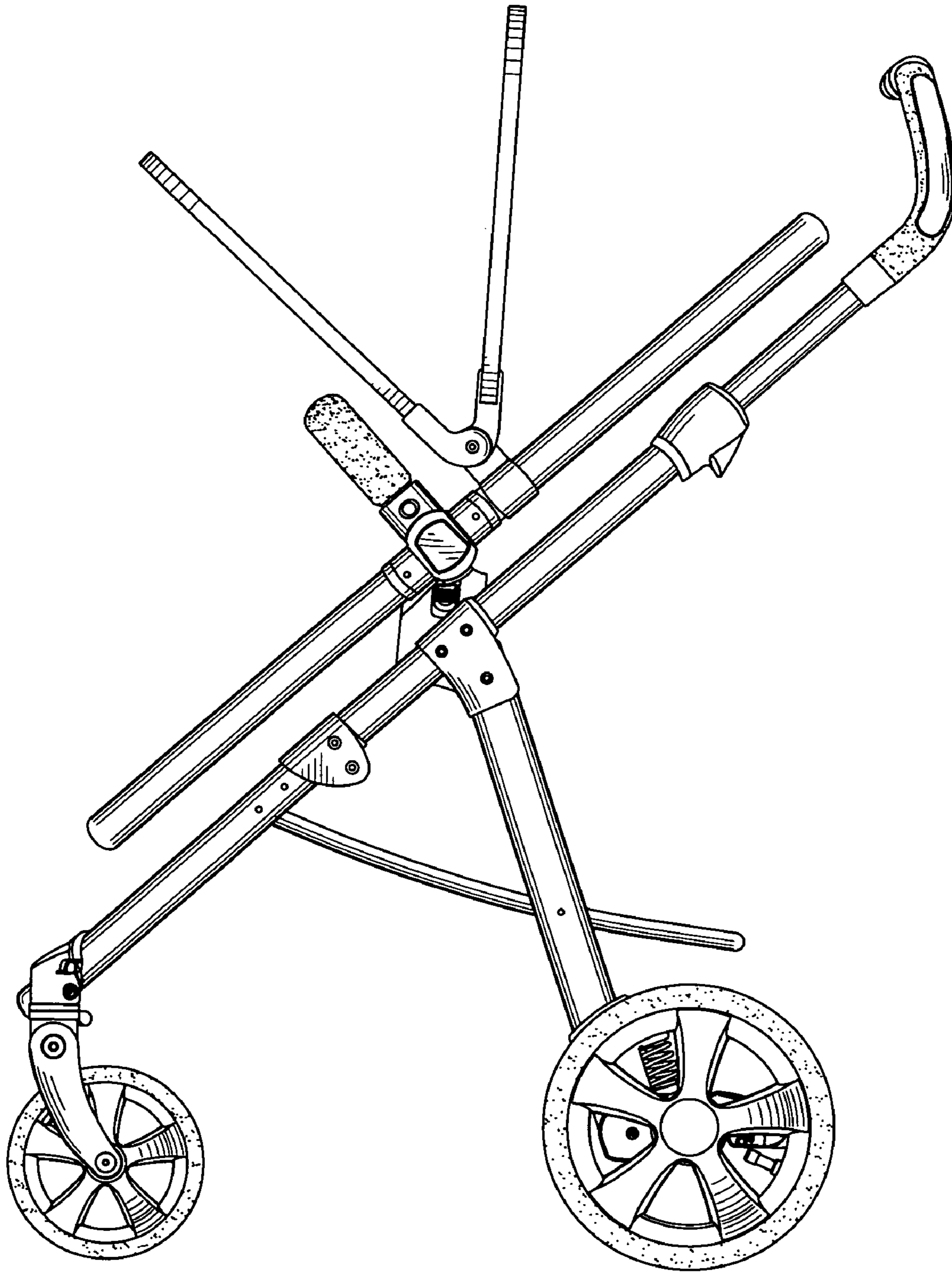


FIG. 4

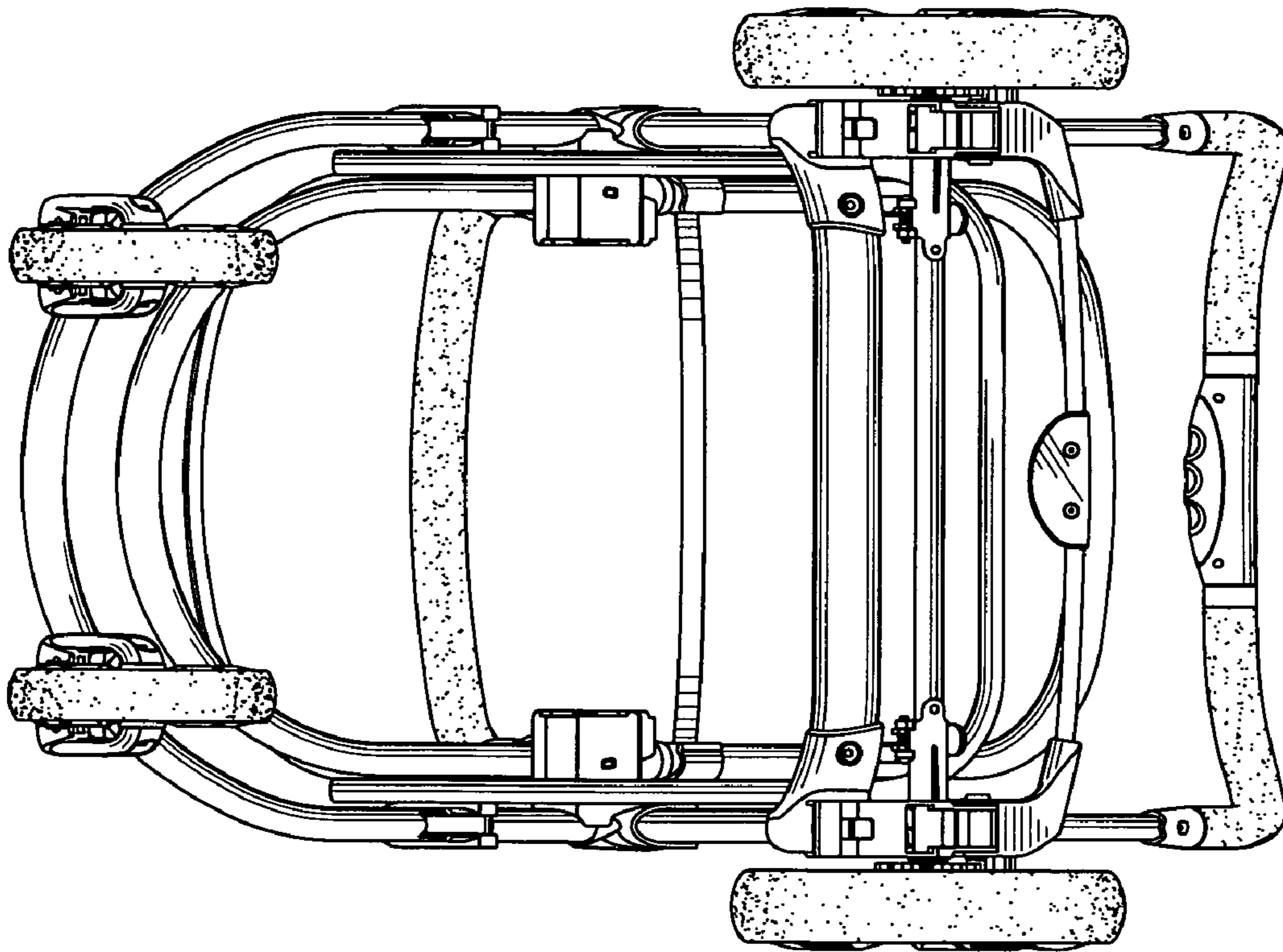


FIG. 5

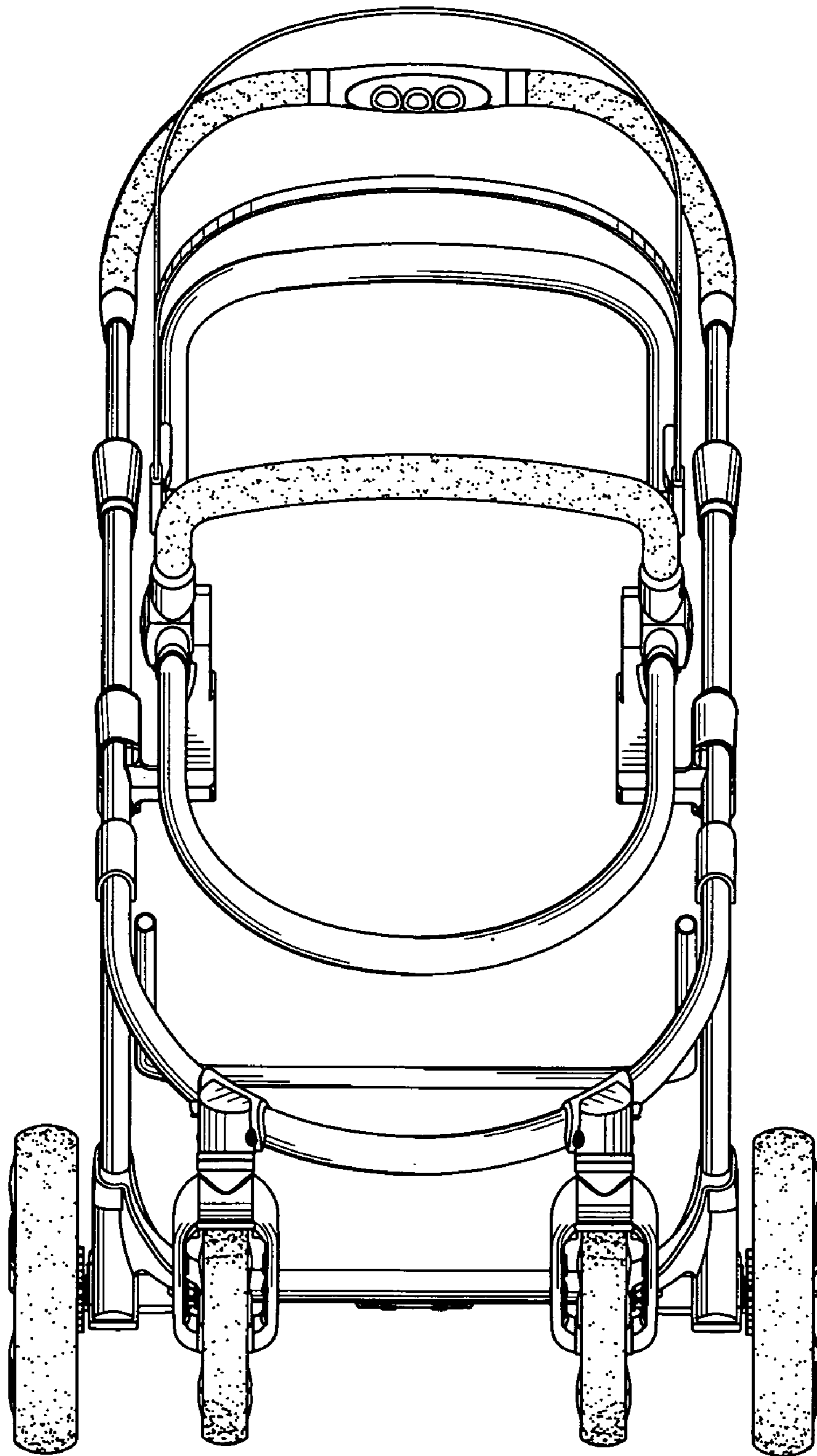


FIG. 6

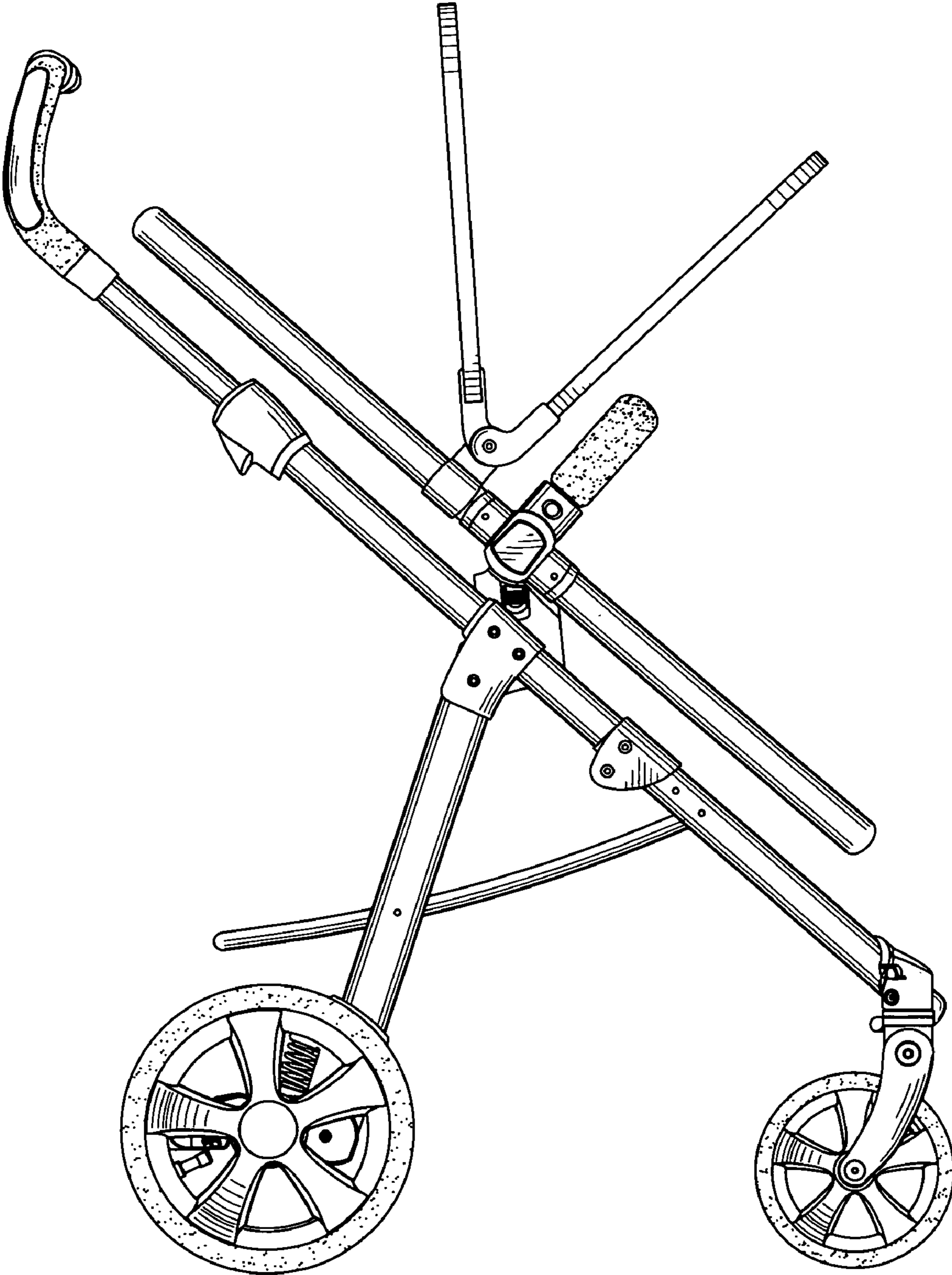


FIG. 7