



US00D566011S

(12) **United States Design Patent**
Hohdorf et al.

(10) **Patent No.:** **US D566,011 S**

(45) **Date of Patent:** **** Apr. 8, 2008**

(54) **MOTORCYCLE, TOY, OR MOTORCYCLE
REPLICA**

D422,244 S * 4/2000 Heinrich et al. D12/110
D444,103 S * 6/2001 Robb et al. D12/110

(75) Inventors: **Volker Hohdorf**, Augsburg (DE);
Edgar Heinrich, Freising (DE); **David
Irwin Robb**, Munich (DE)

* cited by examiner

Primary Examiner—Cathron Brooks

Assistant Examiner—Linda Brooks

(73) Assignee: **Bayerische Motoren Werke
Aktiengesellschaft**, Munich (DE)

(74) *Attorney, Agent, or Firm*—Crowell & Moring LLP

(**) Term: **14 Years**

(57) **CLAIM**

(21) Appl. No.: **29/273,016**

The ornamental design for a motorcycle, toy, or motorcycle replica, as shown and described.

(22) Filed: **Feb. 26, 2007**

DESCRIPTION

(30) **Foreign Application Priority Data**

Aug. 28, 2006 (DE) 40604511

FIG. 1 is a left, front perspective view of a motorcycle, toy, or motorcycle replica according to our novel design;

(51) **LOC (8) Cl.** **12-11**

(52) **U.S. Cl.** **D12/110**

(58) **Field of Classification Search** D12/110;
180/219, 220, 225, 229; D21/432, 458; 446/440;
280/827, 828

FIG. 2 is a left, rear perspective view thereof;

FIG. 3 is a right, front perspective view thereof;

FIG. 4 is a right, rear perspective view thereof;

FIG. 5 is a left side view thereof;

FIG. 6 is a right side view thereof;

FIG. 7 is a front view thereof;

FIG. 8 is a rear view thereof;

FIG. 9 is a top view thereof; and,

FIG. 10 is a bottom view thereof.

See application file for complete search history.

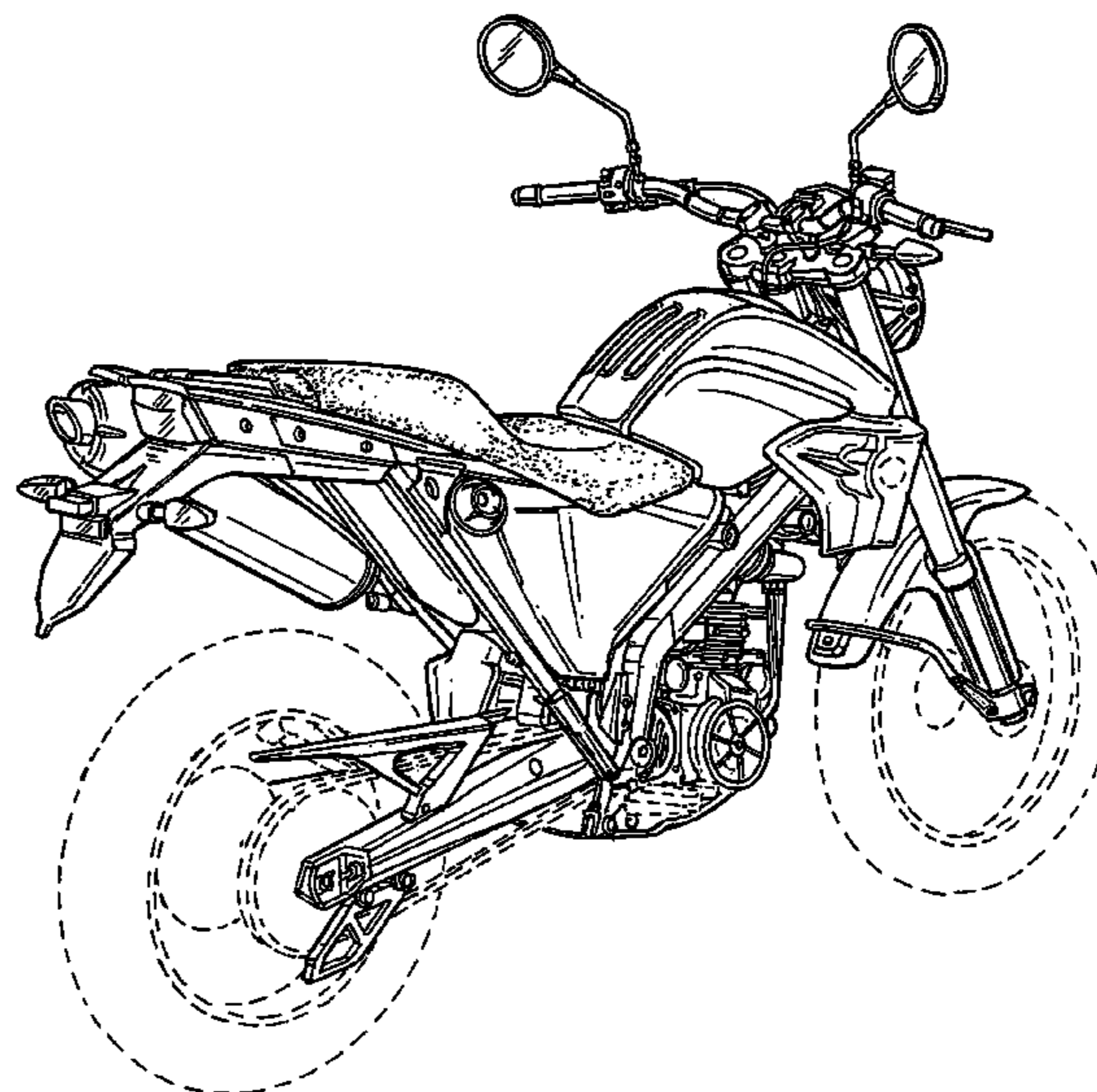
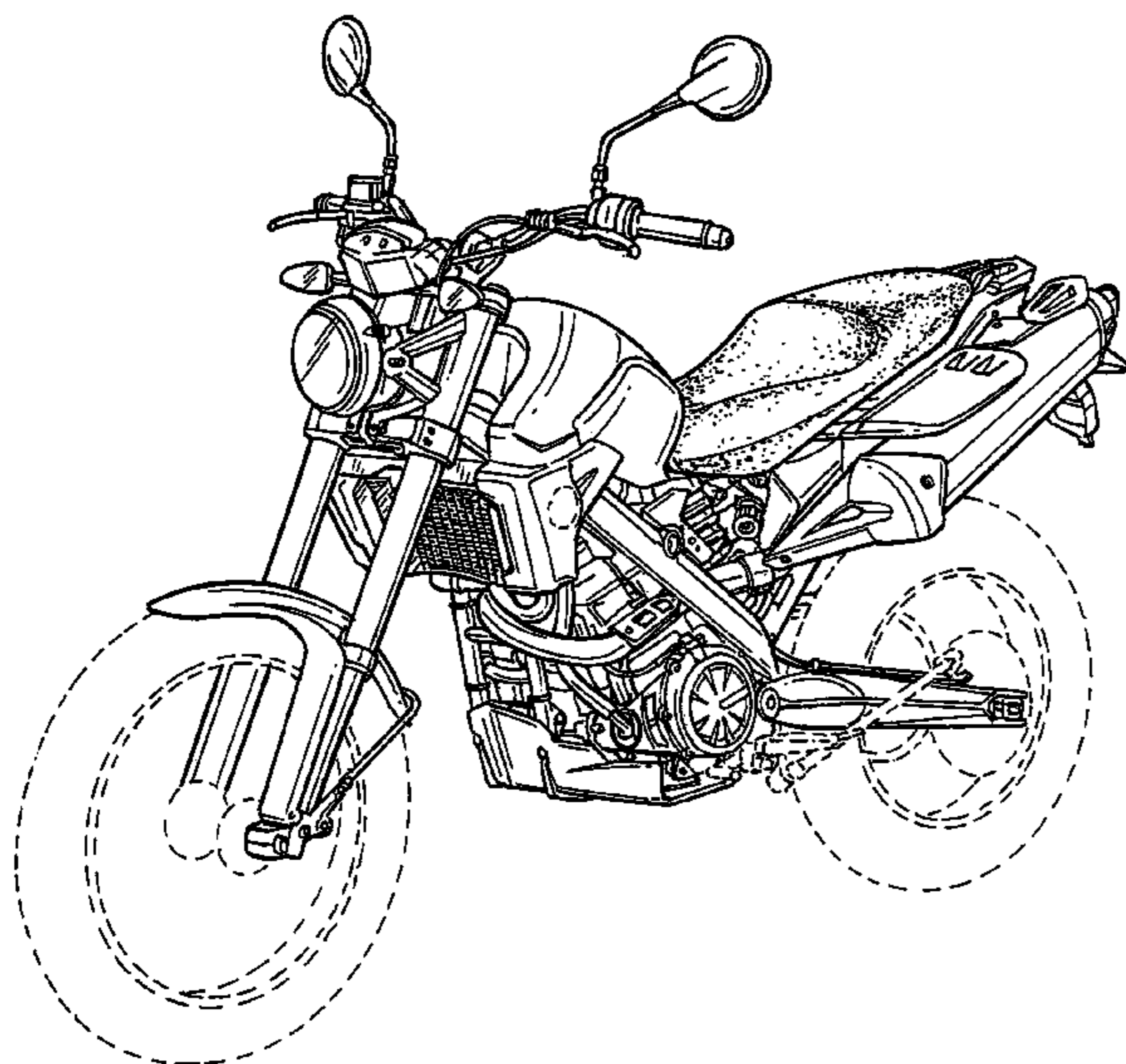
The broken lines showing portions of the motorcycle, toy, or motorcycle replica form no part of the claimed design.

(56) **References Cited**

U.S. PATENT DOCUMENTS

D383,096 S * 9/1997 Abe et al. D12/110
D398,265 S * 9/1998 Robb et al. D12/110
D400,605 S * 11/1998 Rodriguez Ferre D21/538
D406,801 S * 3/1999 Robb et al. D12/110

1 Claim, 9 Drawing Sheets



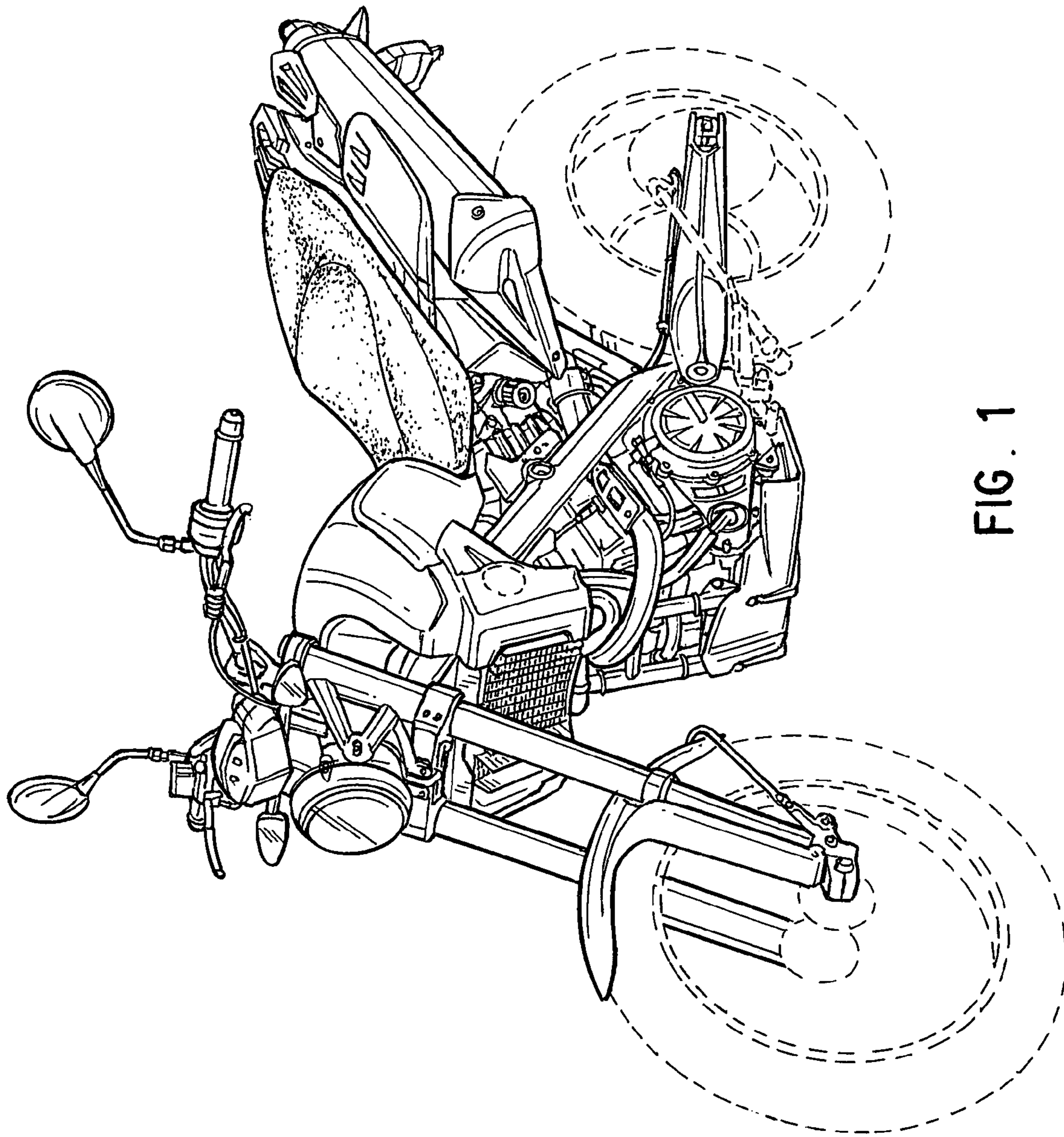


FIG. 1

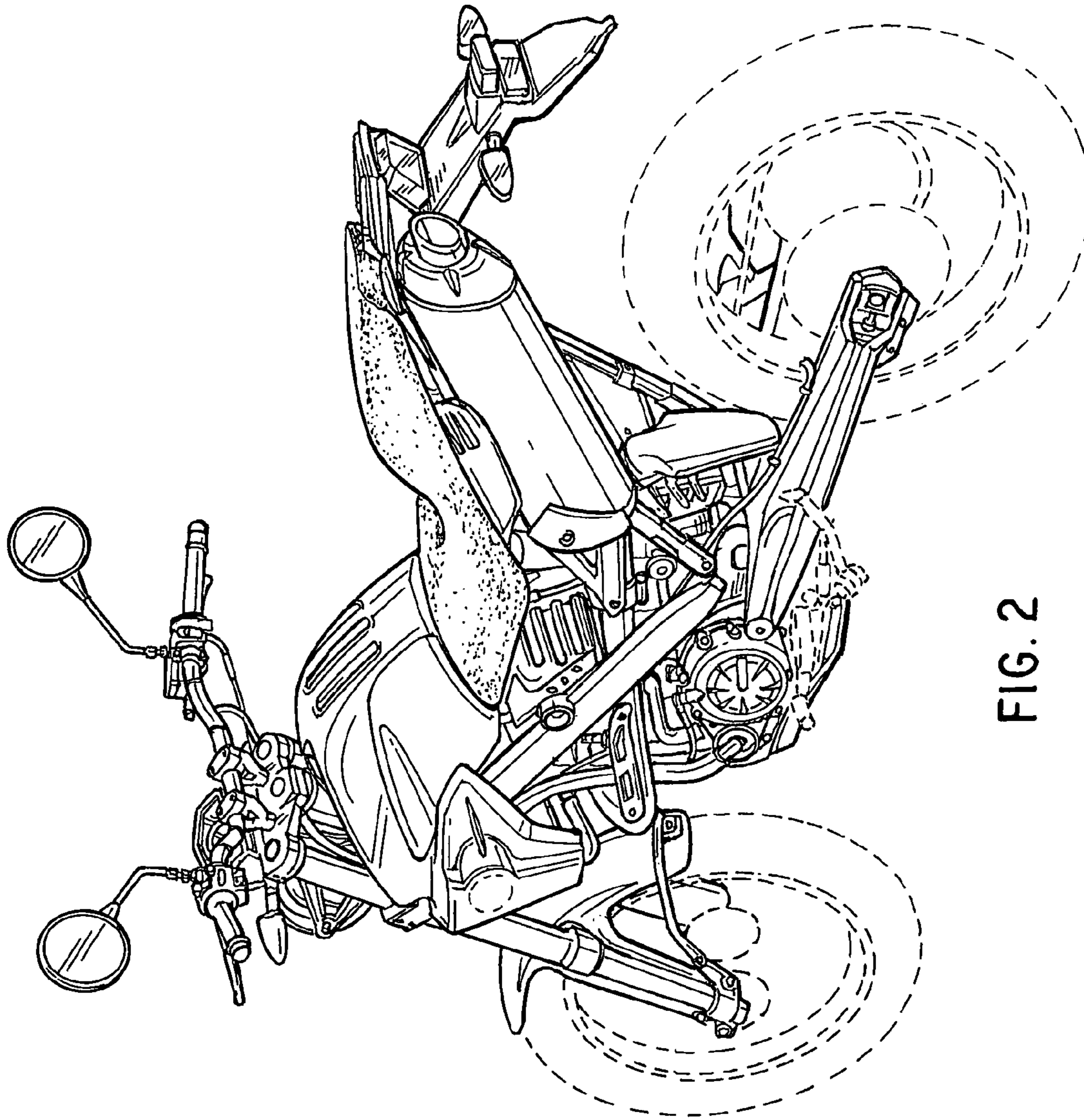


FIG. 2

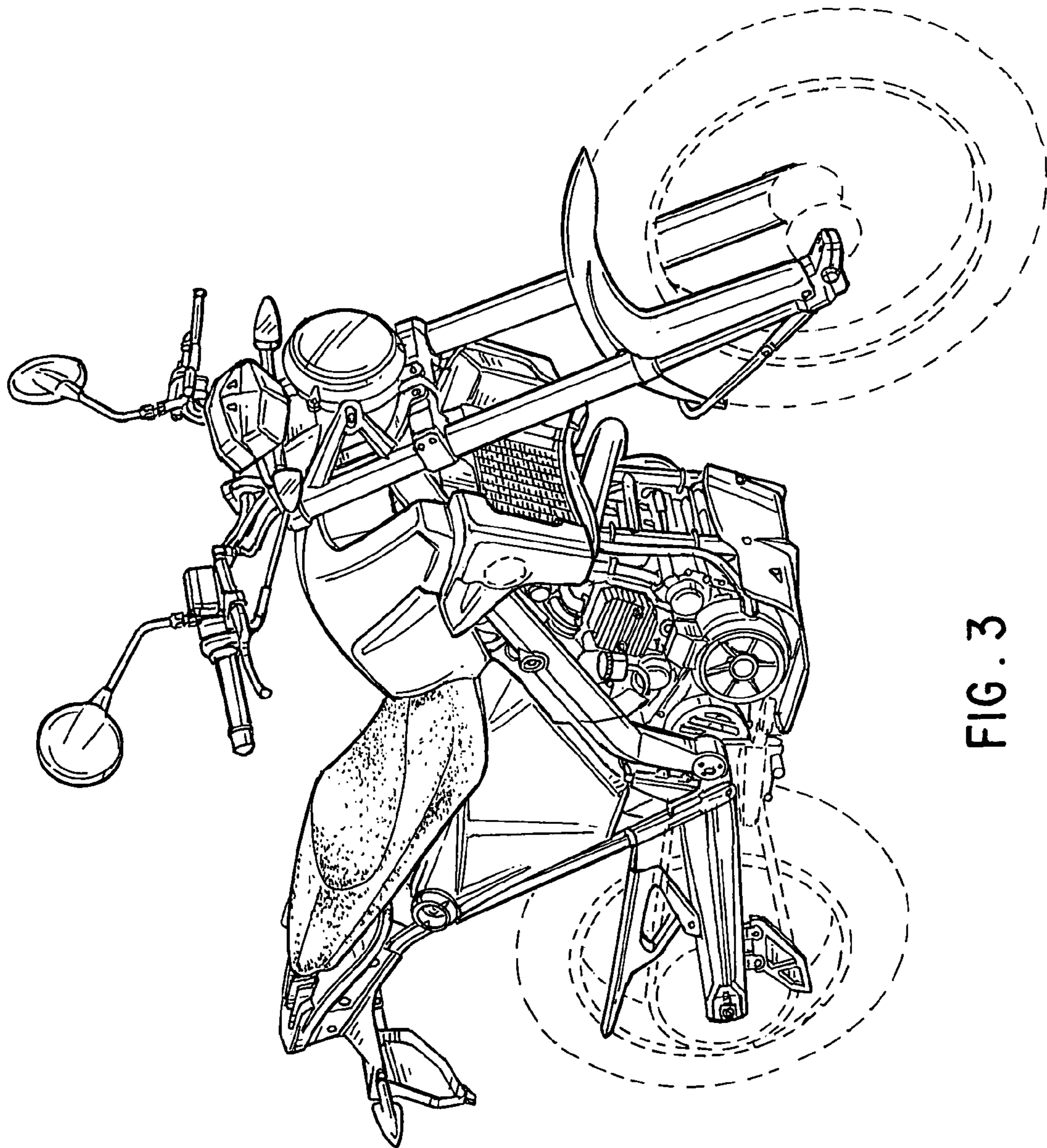


FIG. 3

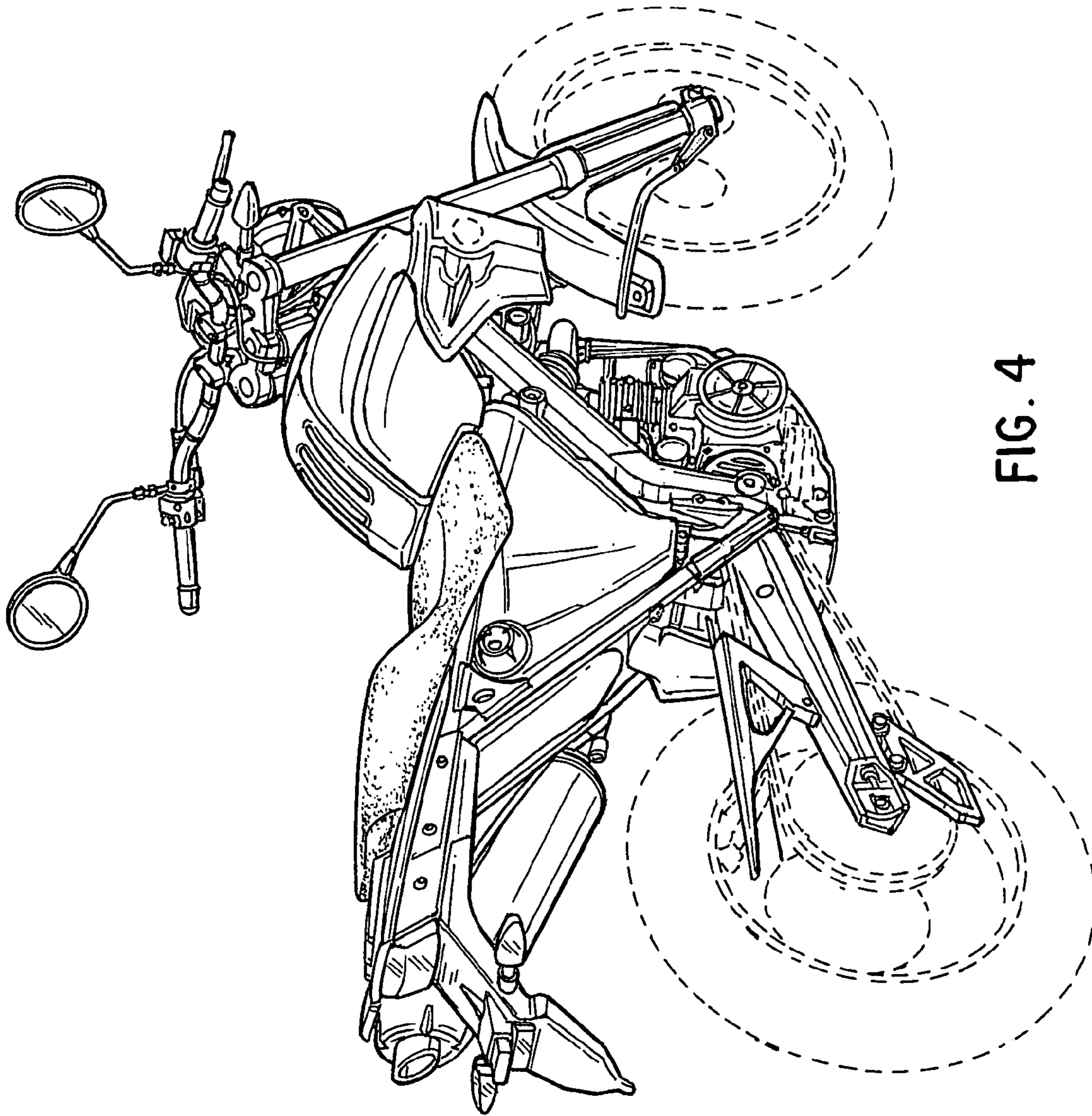


FIG. 4

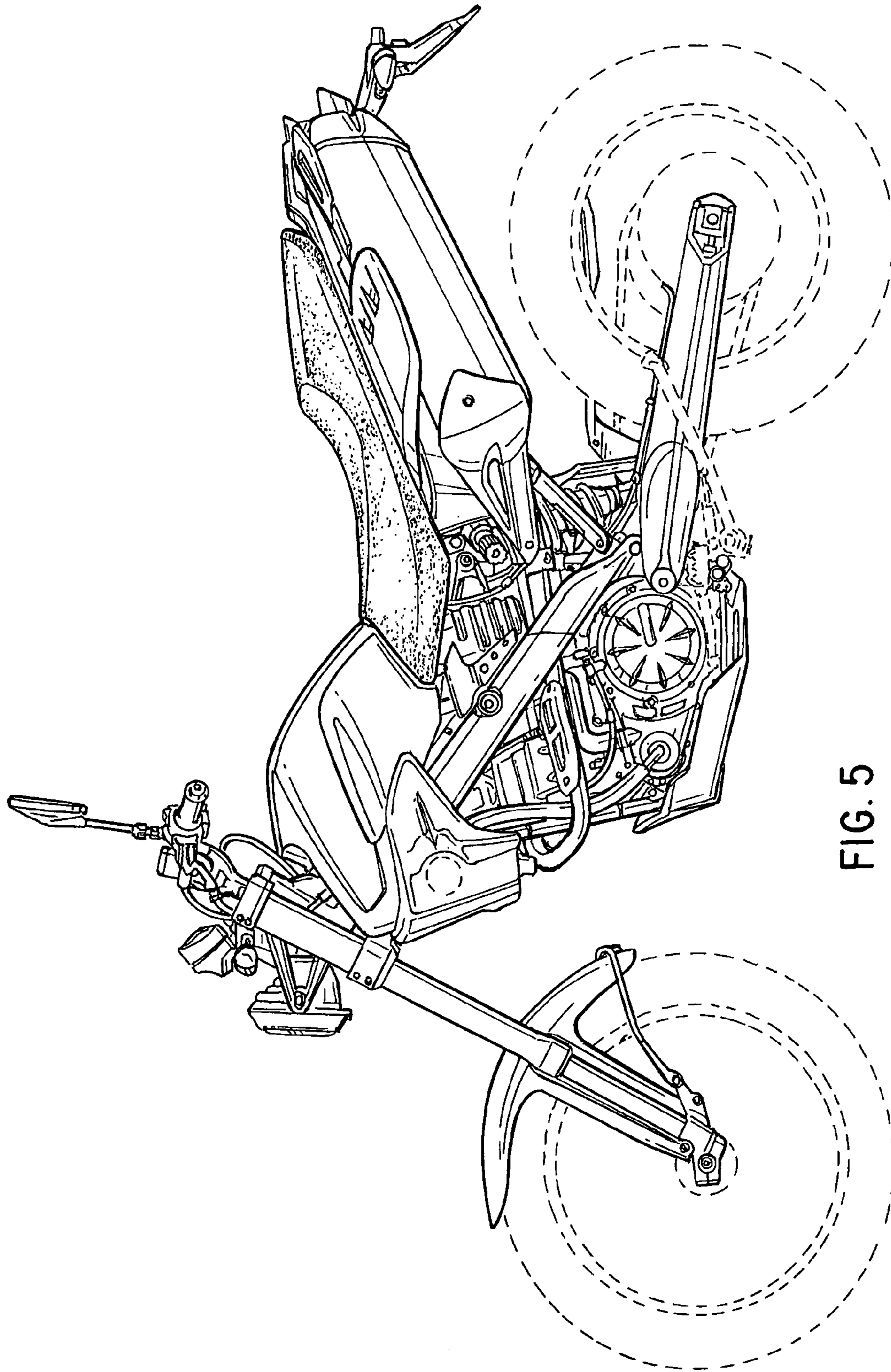


FIG. 5

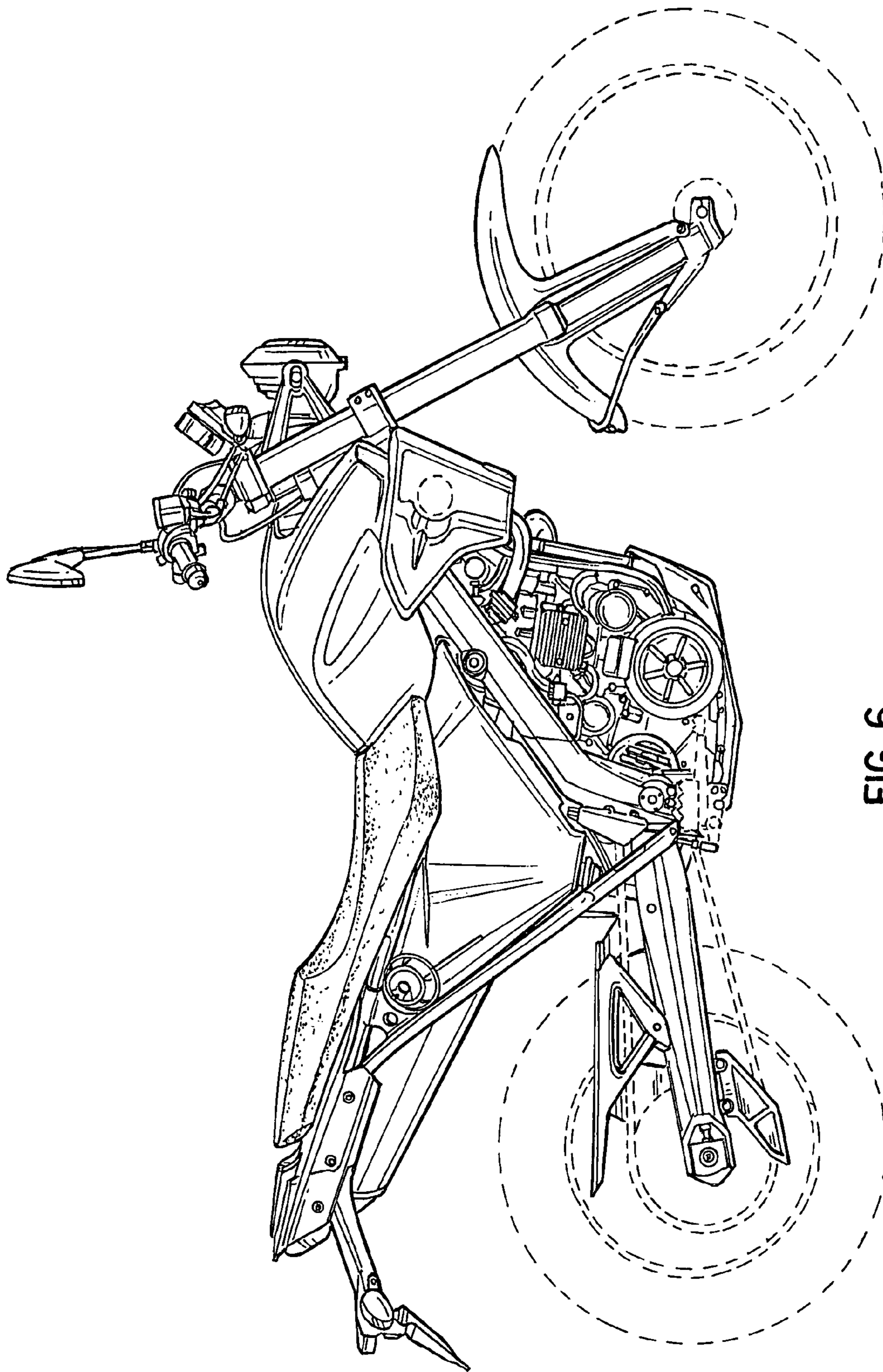


FIG. 6

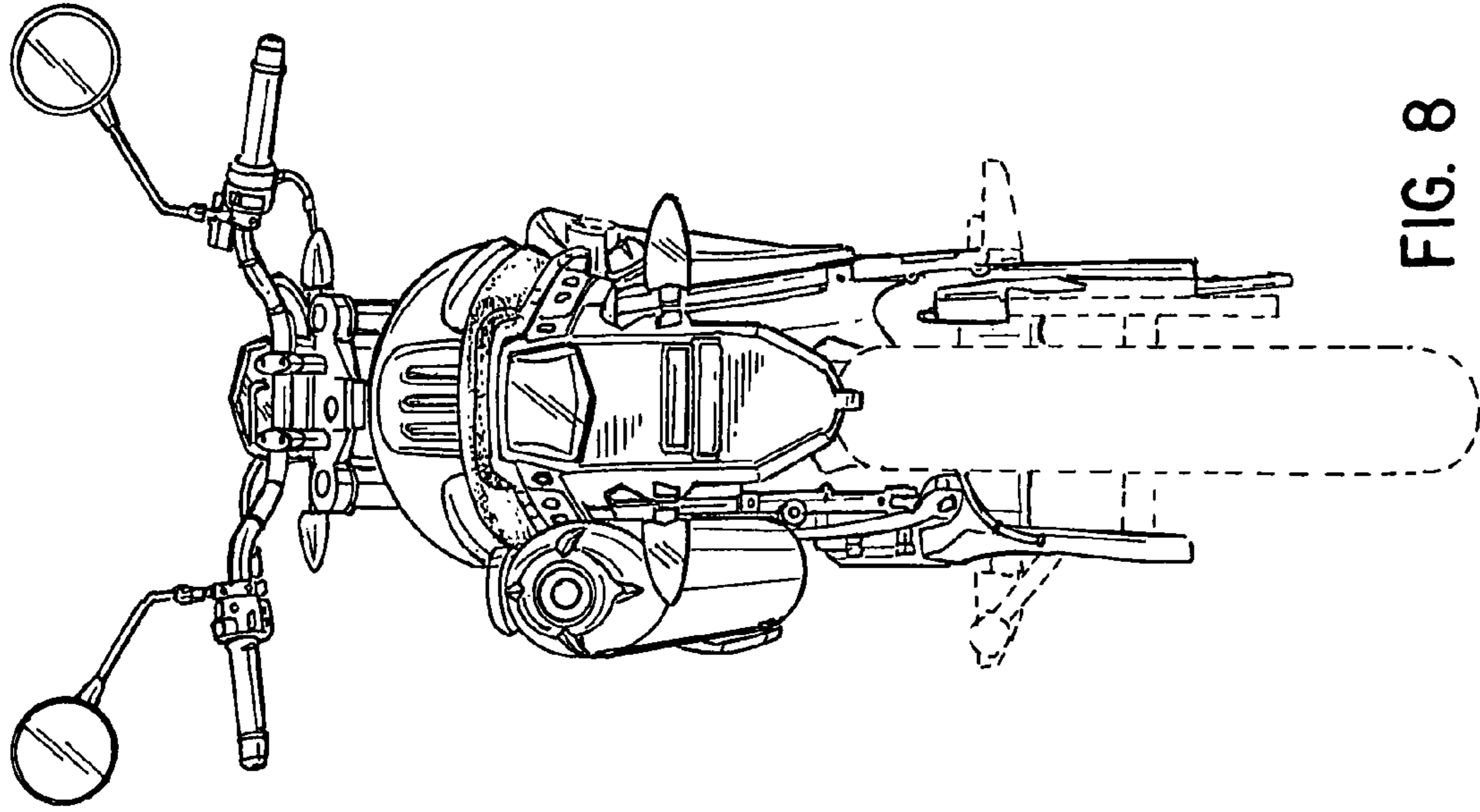


FIG. 8

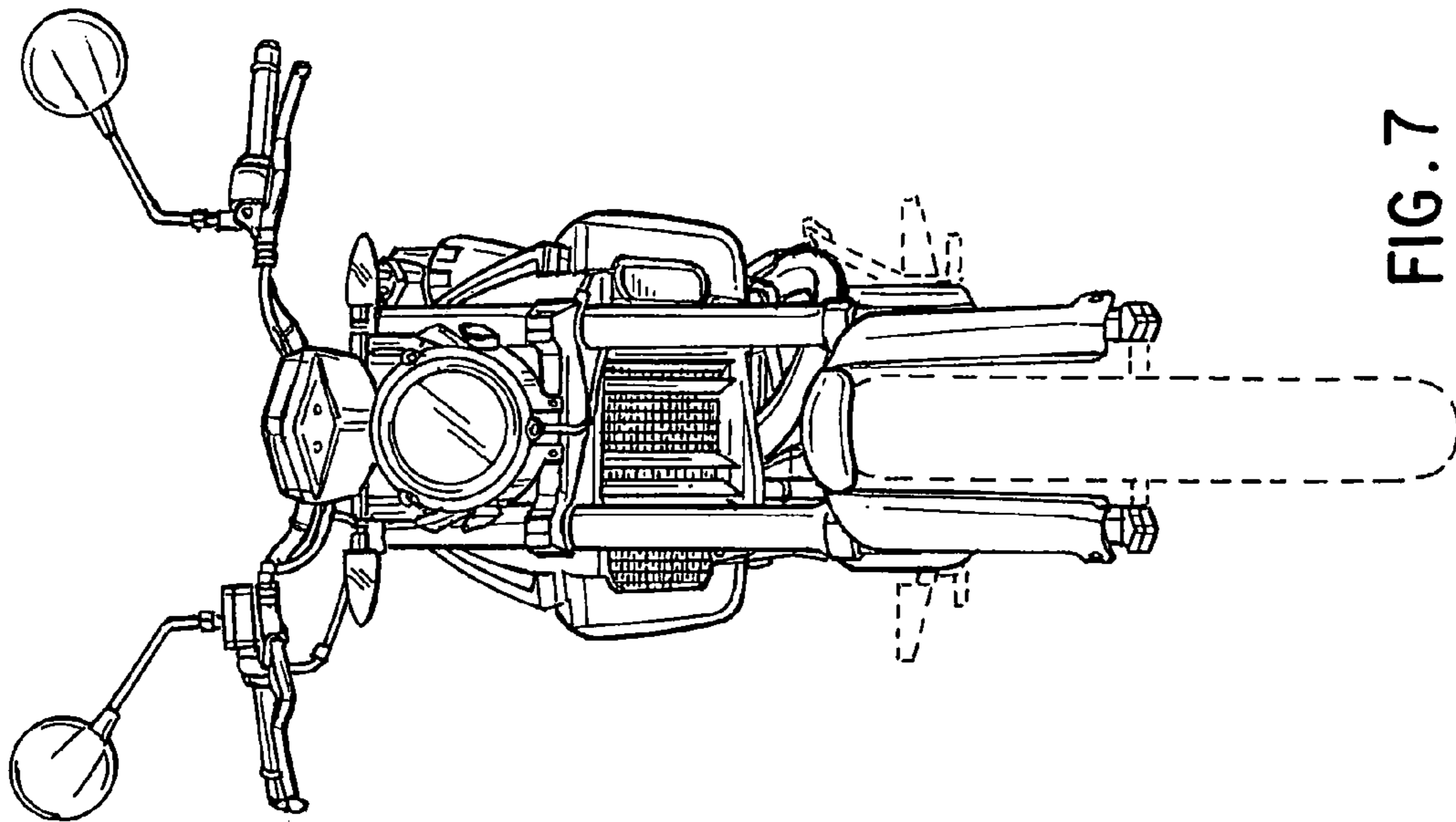


FIG. 7

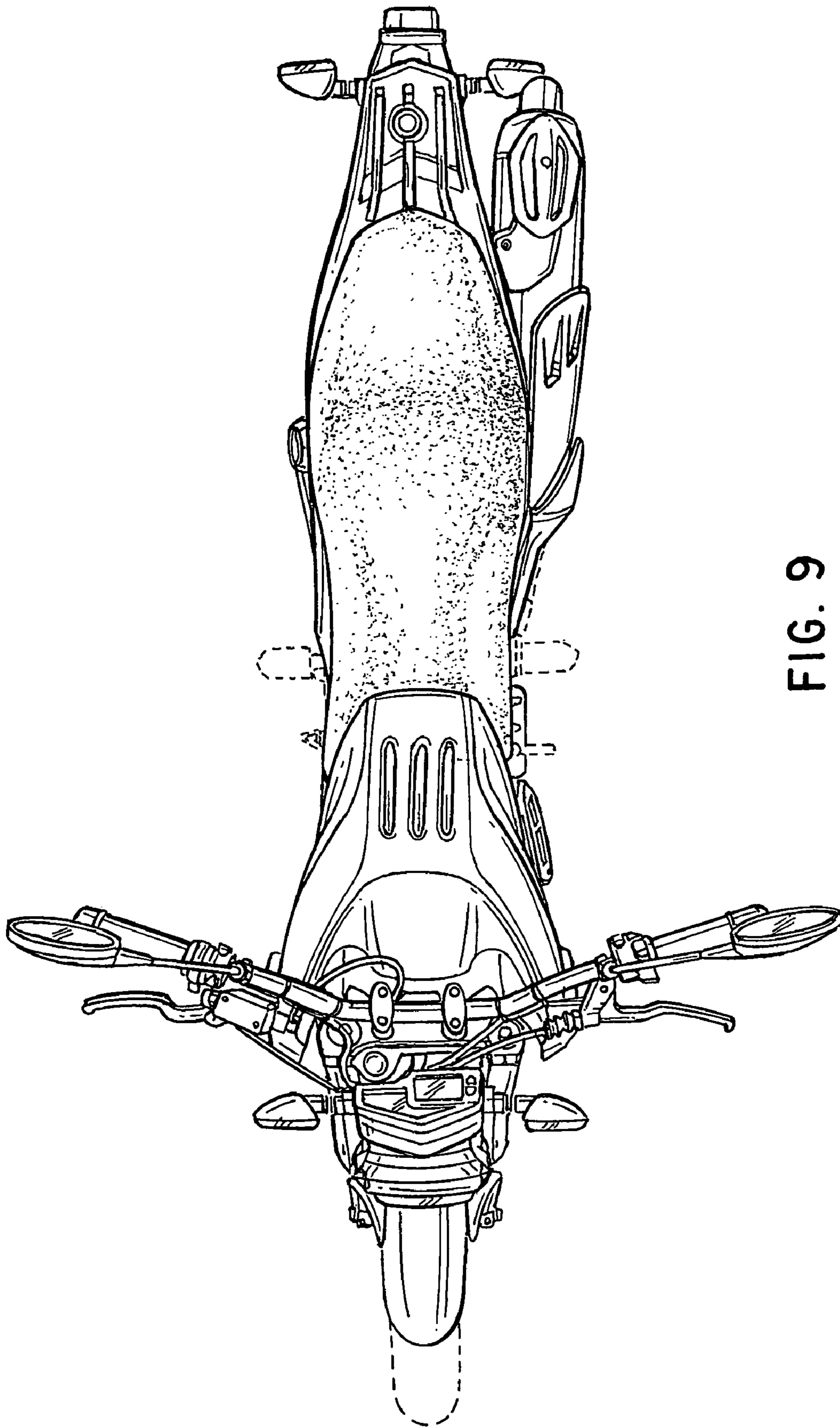


FIG. 9

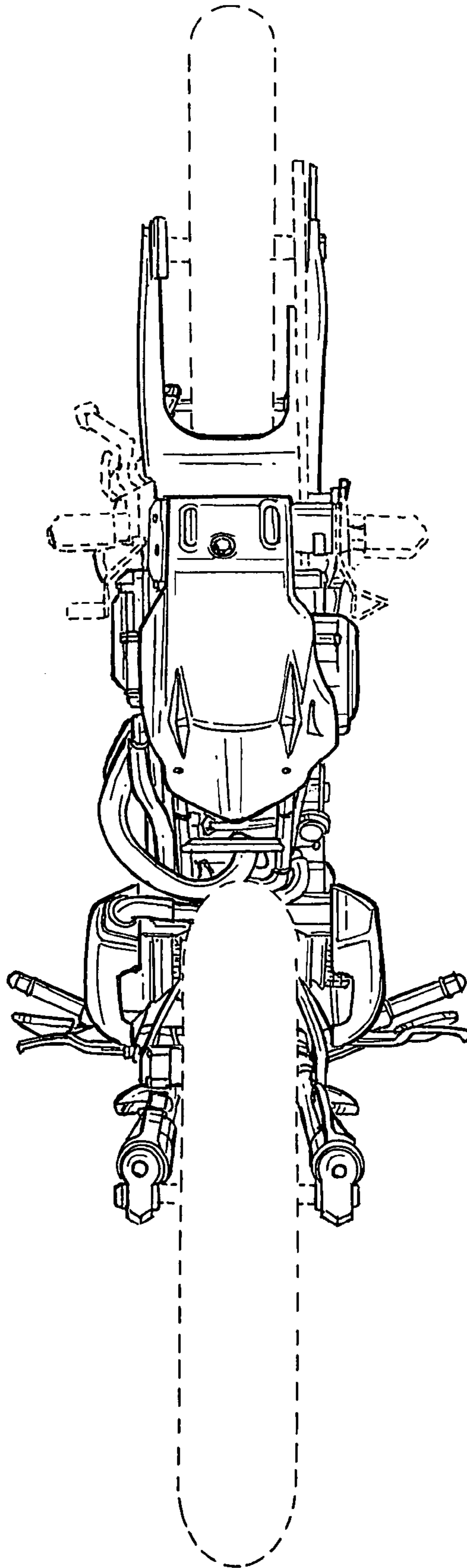


FIG. 10