

US00D566009S

(12) **United States Design Patent** (10) **Patent No.:** **US D566,009 S**
Beigel et al. (45) **Date of Patent:** **** Apr. 8, 2008**

(54) **TRUCK VEHICLE**

(75) Inventors: **David J. Beigel**, Payne, OH (US); **L. David Allendorph**, Fort Wayne, IN (US); **Robert S. Tirey**, Fort Wayne, IN (US); **Marcey K. Collins**, Fort Wayne, IN (US); **Franz Mueller**, Fort Wayne, IN (US); **Steven A. Oliver**, Decatur, IN (US); **Dickson Lal**, Fort Wayne, IN (US); **Hector R. Kiely**, Fort Wayne, IN (US); **Luke Ice**, Fort Wayne, IN (US); **Ronald F. Mitchell**, Taylor, MI (US); **Gerald J. Nix**, Fort Wayne, IN (US); **Robert K. Crook**, Fort Wayne, IN (US); **Manjeet Kohli**, Dearborn, MI (US); **Ronald E. Schoon**, Fort Wayne, IN (US); **Timothy Oselett**, St. Clair Shores, MI (US)

(73) Assignee: **International Truck and Engine Corporation Canada**, Warrenville, IL (US)

(**) Term: **14 Years**

(21) Appl. No.: **29/267,867**

(22) Filed: **Oct. 24, 2006**
(Under 37 CFR 1.47)

(51) **LOC (8) Cl.** **12-16**

(52) **U.S. Cl.** **D12/96**

(58) **Field of Classification Search** D12/96, D12/93, 97; 180/89.11, 89.12, 89.13
See application file for complete search history.

(56) **References Cited**

U.S. PATENT DOCUMENTS

D445,361 S	7/2001	Tirey et al.	
D465,749 S	11/2002	Beigel	
D466,450 S	12/2002	Maher et al.	
D523,791 S *	6/2006	Pfeiffer	D12/163
D531,555 S *	11/2006	Hooper	D12/163
D539,196 S *	3/2007	Pfeiffer	D12/163

* cited by examiner

Primary Examiner—Melody N. Brown

(74) *Attorney, Agent, or Firm*—Gerald W. Askew; Jeffrey P. Calfa

(57) **CLAIM**

The ornamental design for a truck vehicle, as shown and described.

DESCRIPTION

FIG. 1 is a right, front perspective view of a truck vehicle showing our new design;

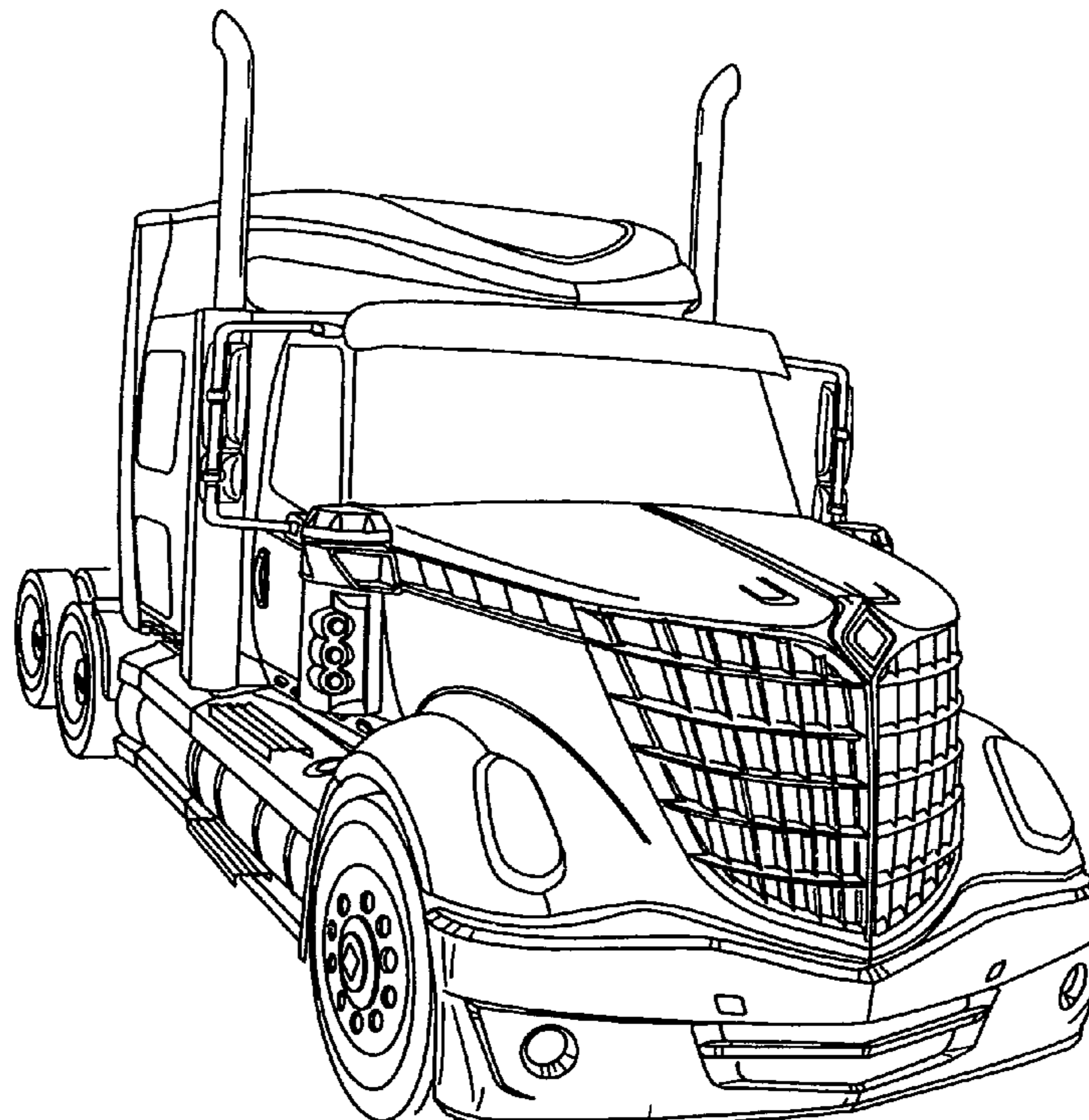
FIG. 2 is a front elevation view thereof;

FIG. 3 is a top plan view thereof;

FIG. 4 is a left side elevation view thereof; and,

FIG. 5 is a right view thereof.

1 Claim, 5 Drawing Sheets



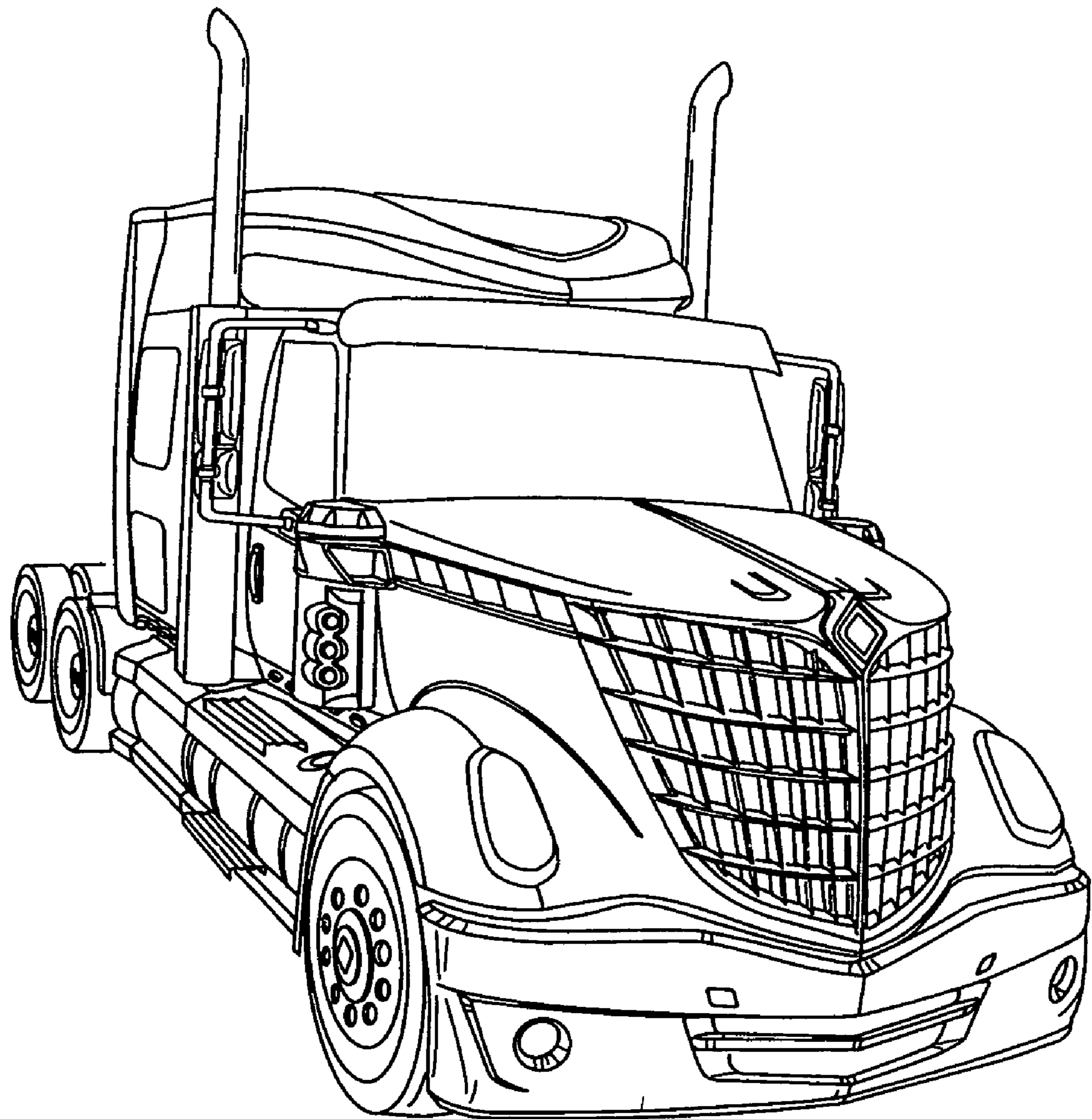


FIG. 1

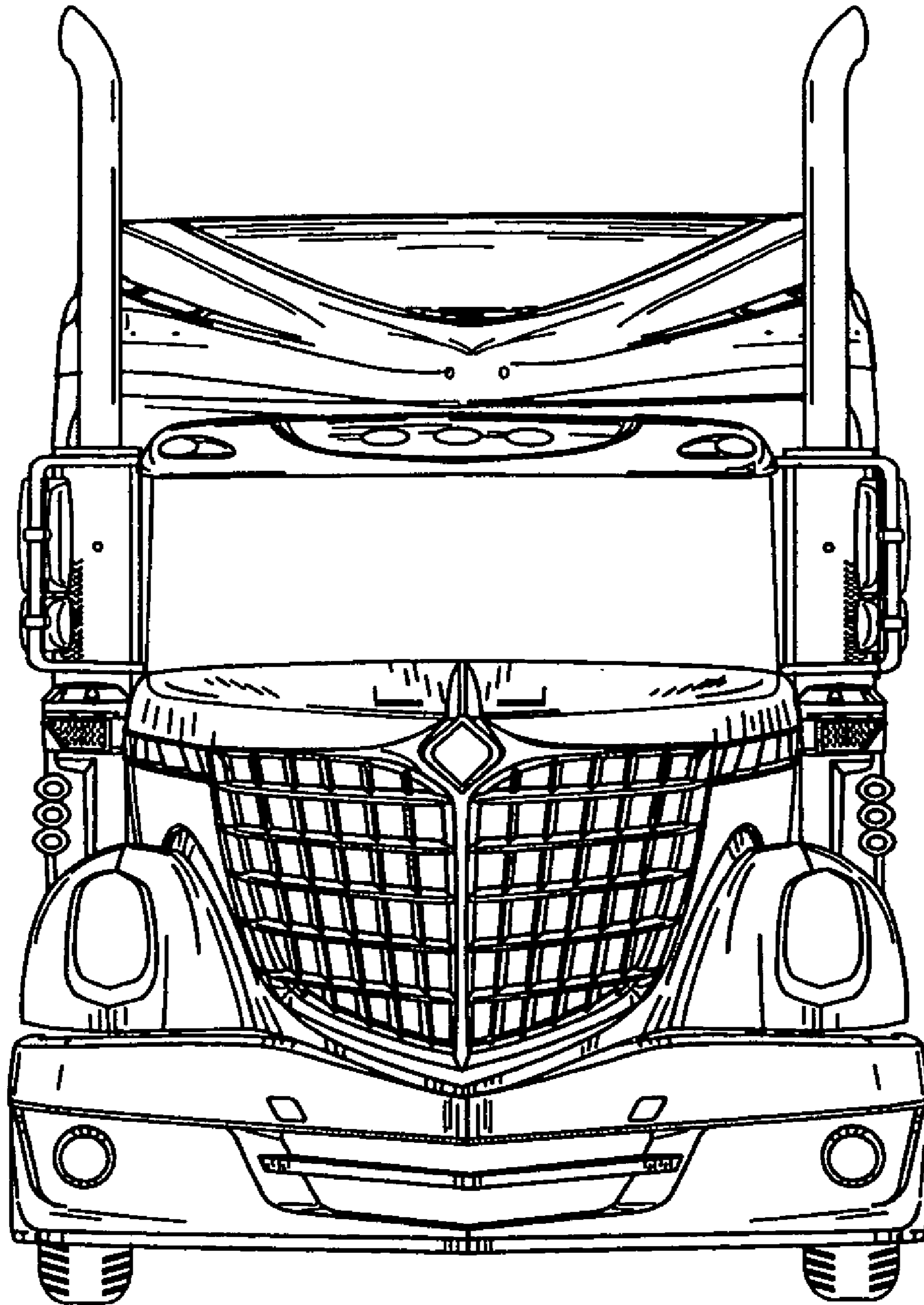


FIG. 2

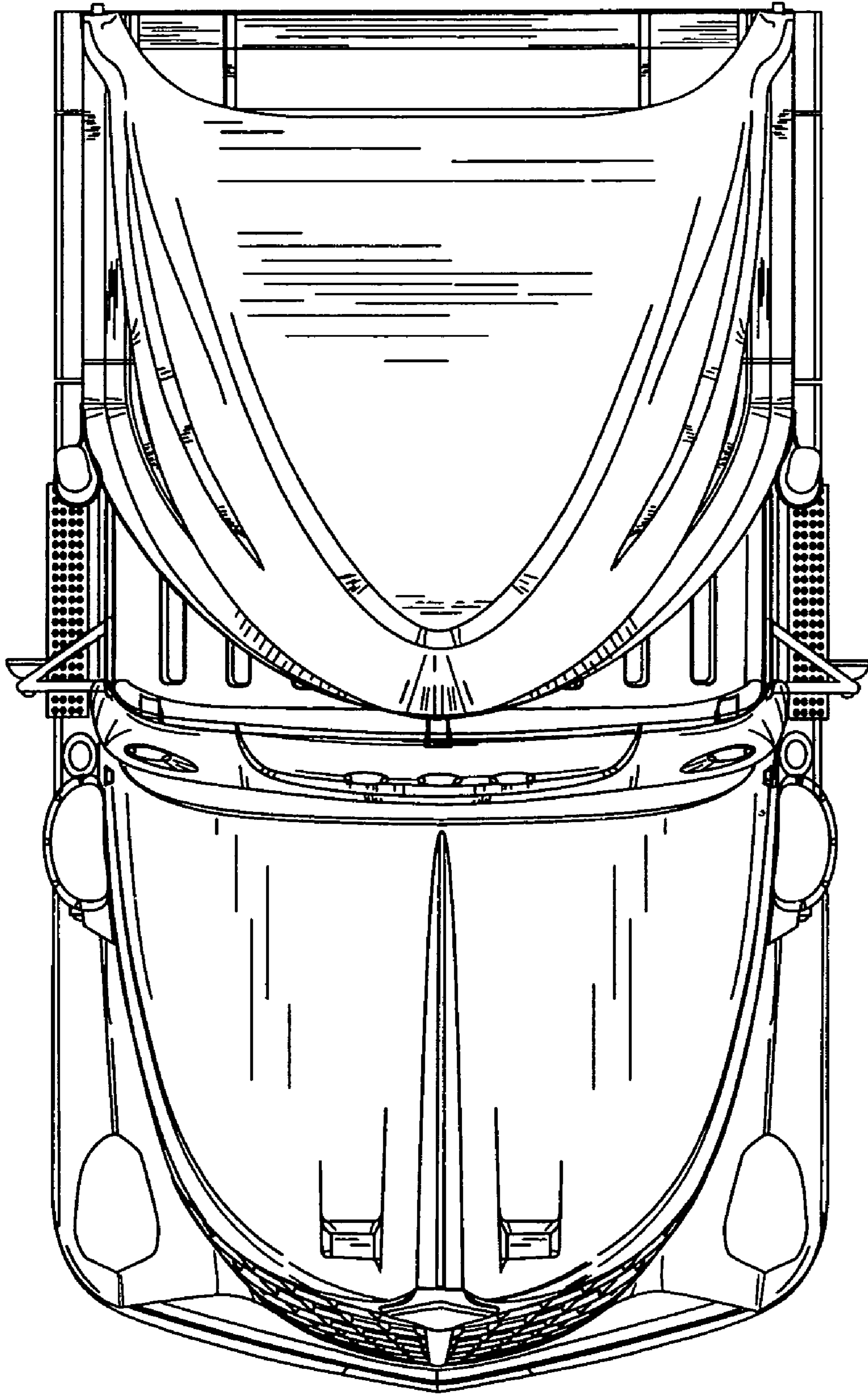


FIG. 3

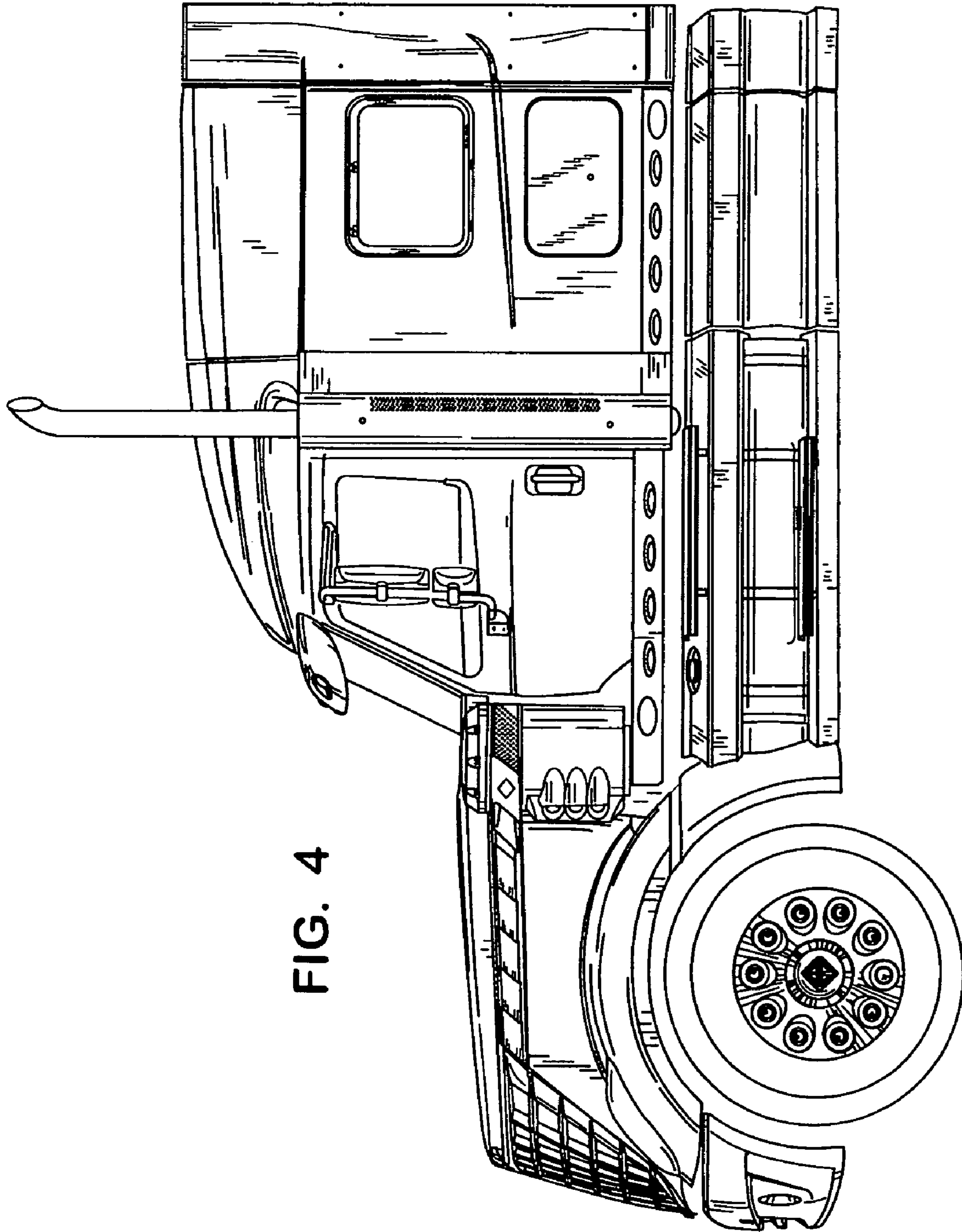


FIG. 4

FIG. 5

