



US00D566008S

(12) **United States Design Patent**
Lu

(10) **Patent No.:** **US D566,008 S**

(45) **Date of Patent:** **** Apr. 8, 2008**

(54) **PASSENGER CAR**

D554,564 S * 11/2007 Vardis et al. D12/92

(76) Inventor: **Jianhui Lu**, Meiyuanxicun, Suite
11-3-602, Wu Hu (CN)

* cited by examiner

Primary Examiner—Melody N. Brown
(74) *Attorney, Agent, or Firm*—Kenyon & Kenyon LLP

(**) Term: **14 Years**

(21) Appl. No.: **29/286,076**

(57) **CLAIM**

(22) Filed: **Apr. 20, 2007**

The ornamental design for a passenger car, as shown and described.

(51) **LOC (8) Cl.** **12-08**

(52) **U.S. Cl.** **D12/91**

(58) **Field of Classification Search** D12/90–92,
D12/86; 296/181.1, 181.5
See application file for complete search history.

DESCRIPTION

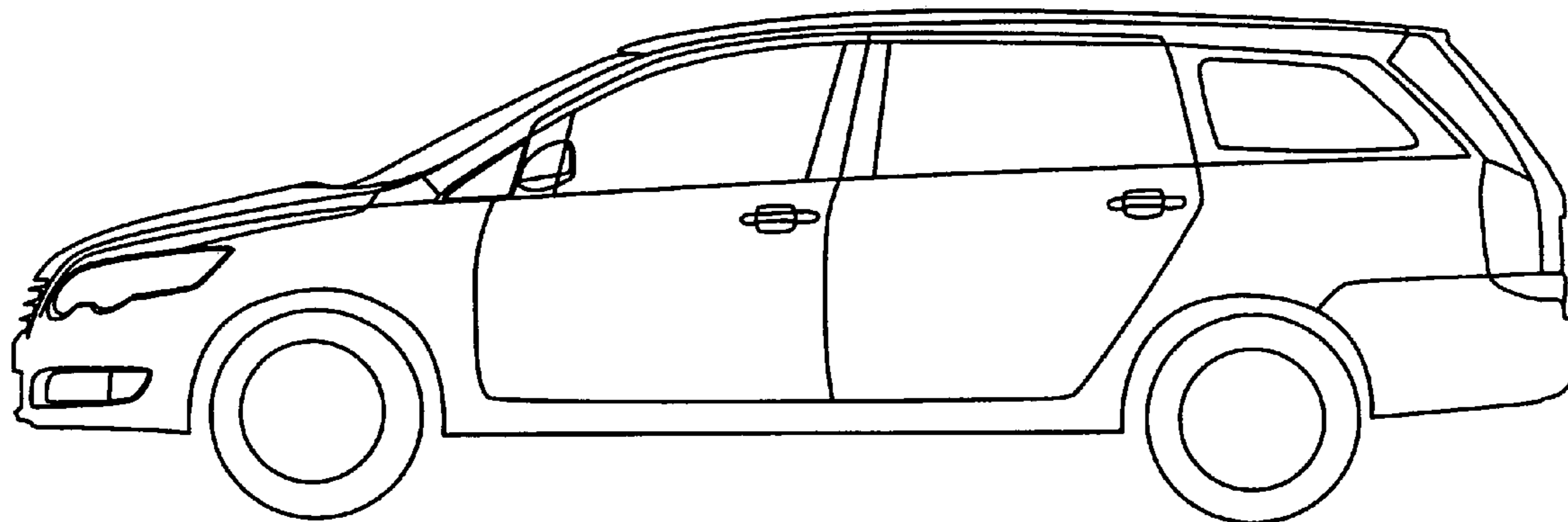
The claimed passenger car is used for transportation.
FIG. 1 is a side view of a passenger car showing our new design (the other side being a mirror image of that shown);
FIG. 2 is a rear elevation view thereof;
FIG. 3 is a front view thereof; and,
FIG. 4 is a top view thereof.

(56) **References Cited**

U.S. PATENT DOCUMENTS

- D507,765 S * 7/2005 Nakajima et al. D12/91
- D520,909 S * 5/2006 Tokutake et al. D12/91
- D551,125 S * 9/2007 Uchino et al. D12/92

1 Claim, 3 Drawing Sheets



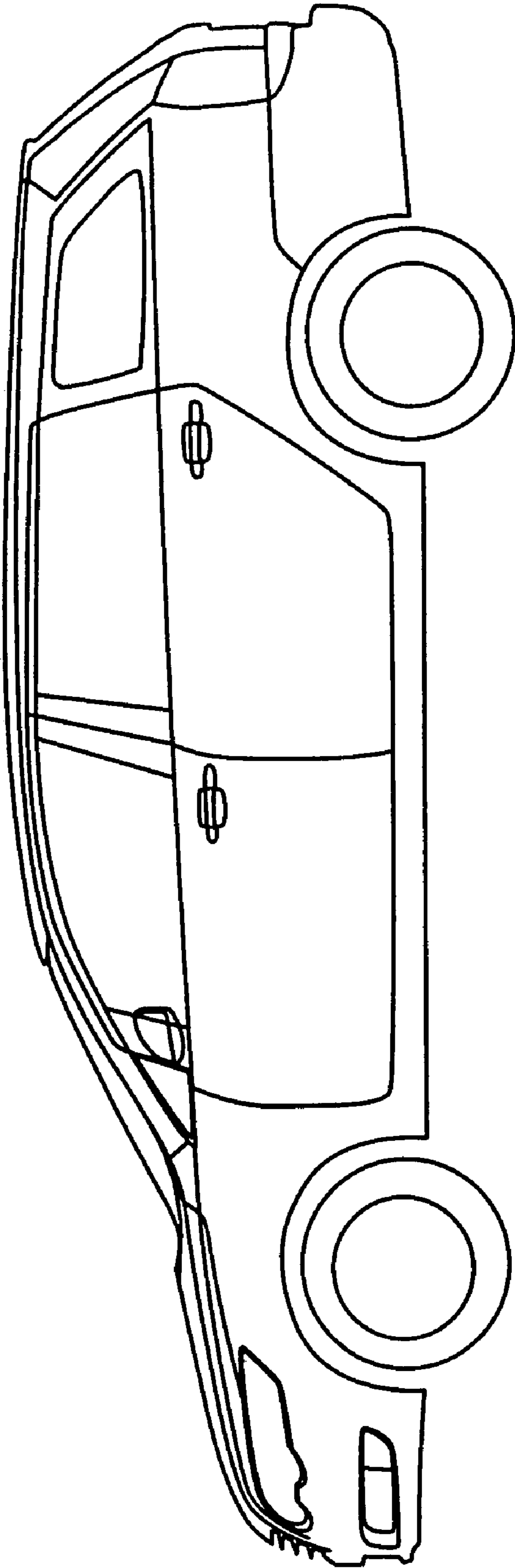


FIG. 1

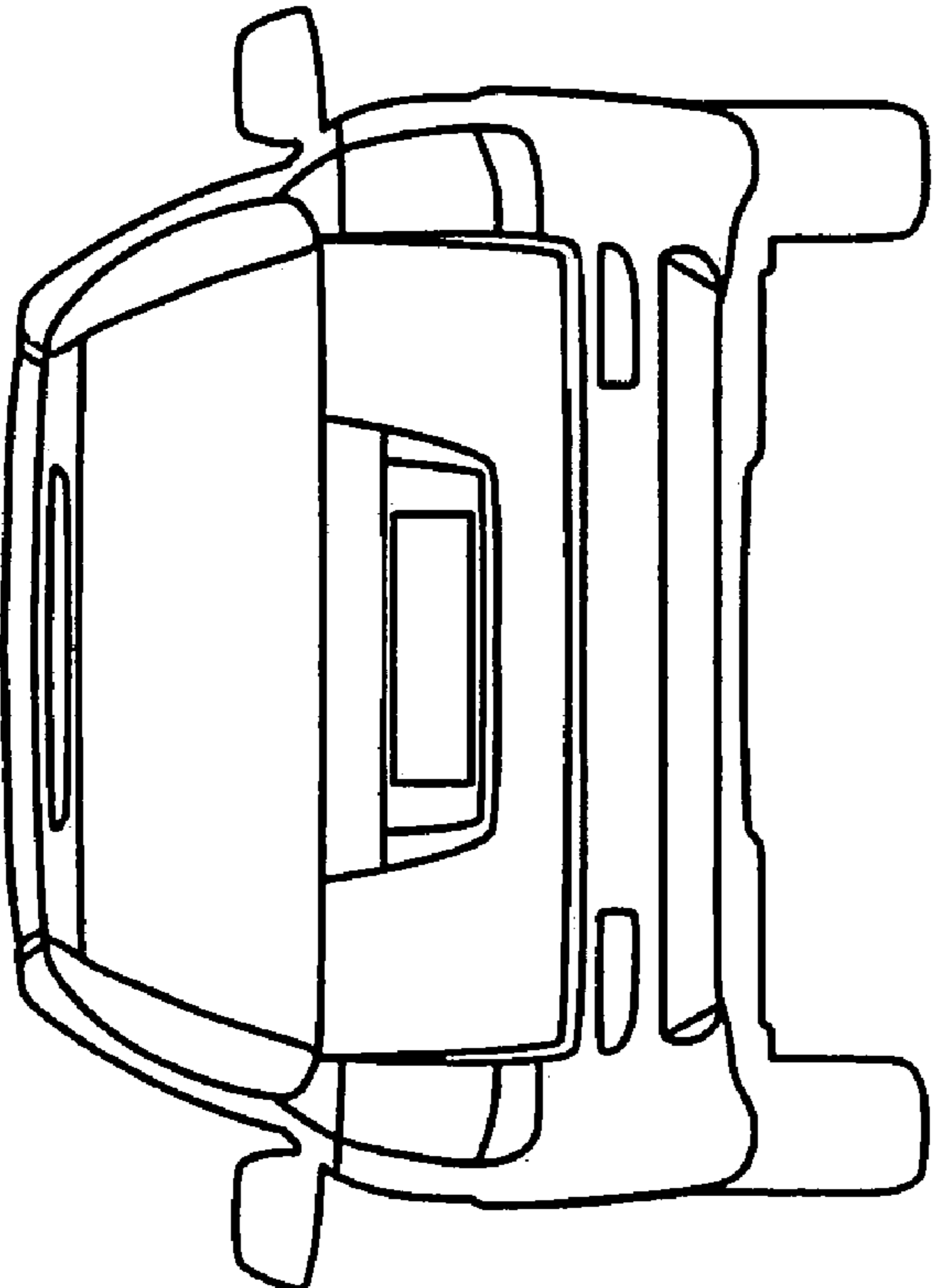
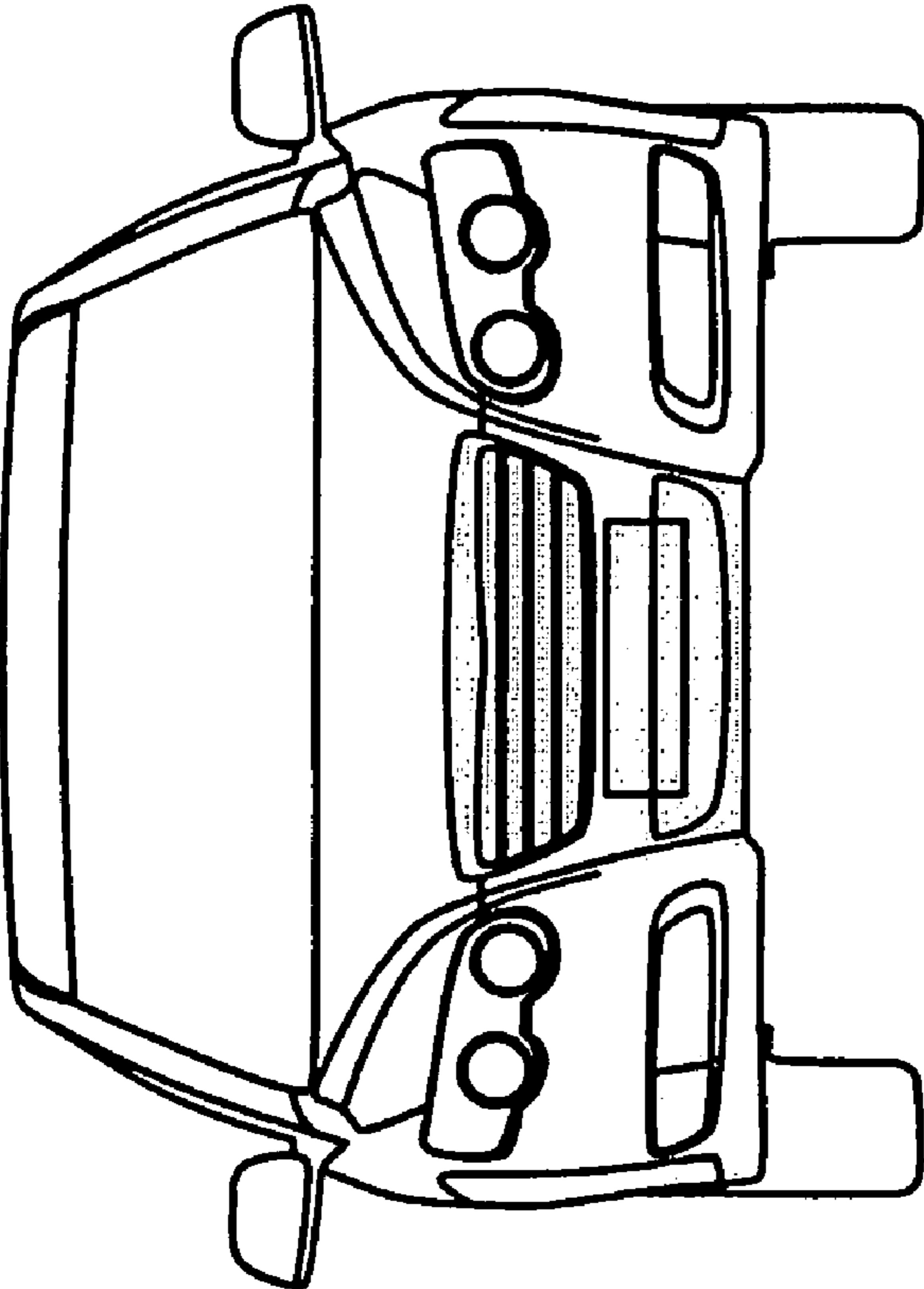


FIG. 3

FIG. 2

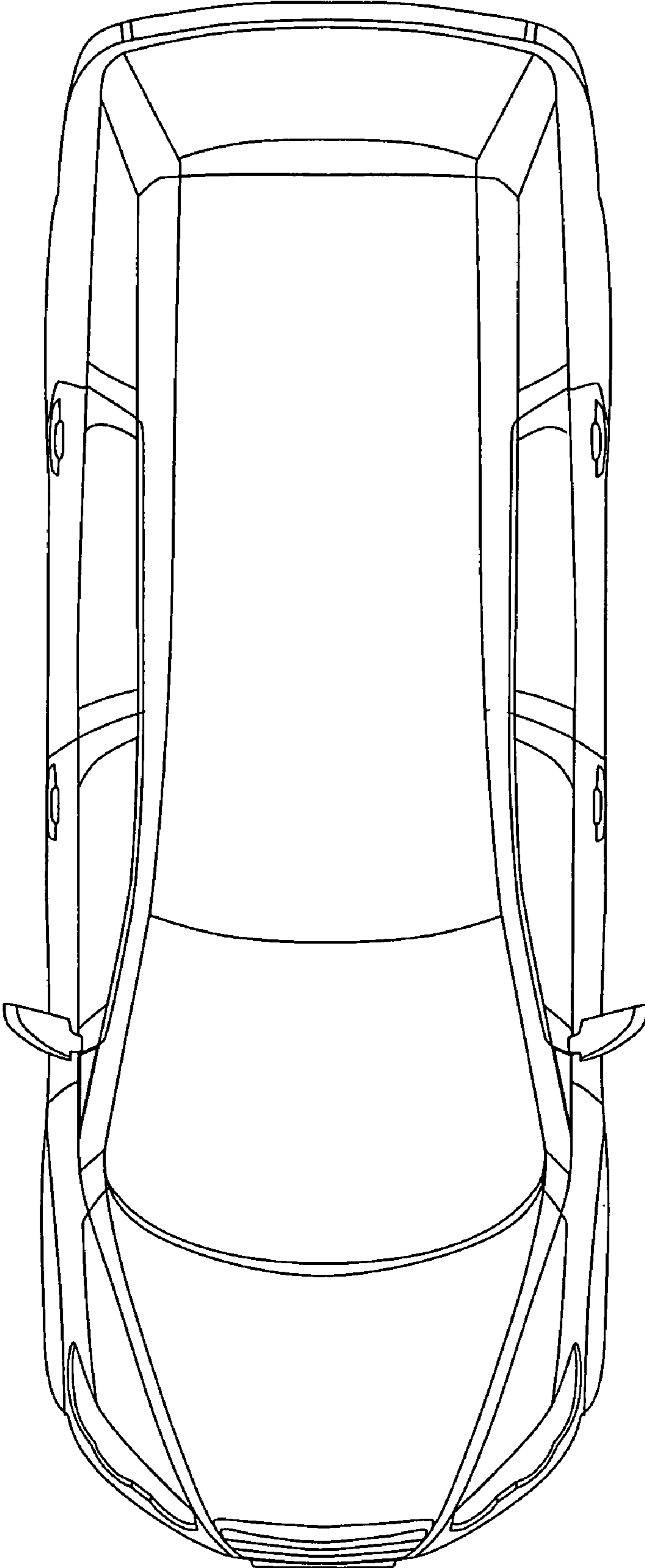


FIG. 4