

US00D565998S

(12) **United States Design Patent** (10) **Patent No.:** **US D565,998 S**
Seichei et al. (45) **Date of Patent:** **** Apr. 8, 2008**

(54) **PATIO UNIT**

(75) Inventors: **Edward M. Seichei**, Citrus Heights, CA (US); **Theodore H. Stark**, Rancho Cordova, CA (US)

(73) Assignee: **Cool Heat, Inc.**, Rancho Cordova, CA (US)

(**) Term: **14 Years**

(21) Appl. No.: **29/262,538**

(22) Filed: **Jul. 5, 2006**

(51) **LOC (8) Cl.** **11-02**

(52) **U.S. Cl.** **D11/131**

(58) **Field of Classification Search** D11/131,
D11/157, 158–164; D21/585, 589, 594,
D21/606, 657; D9/600, 601; D19/94–97;
446/268, 297, 298–300, 309, 330, 331, 336,
446/359, 365, 368, 373, 374–376, 378–384;
40/411, 414, 415, 416, 455–457, 463, 464,
40/466, 508, 509

See application file for complete search history.

(56) **References Cited**

U.S. PATENT DOCUMENTS

D159,135 S *	6/1950	Blaich et al.	D21/585
5,091,227 A *	2/1992	Wright et al.	428/18
D390,157 S *	2/1998	Burnett	D11/118
D401,886 S *	12/1998	Burnett	D11/131
6,599,591 B1 *	7/2003	Scott	428/18
D486,567 S *	2/2004	Sakai	D23/332
7,226,645 B1 *	6/2007	Braithwaite	428/18

OTHER PUBLICATIONS

Sheet 1 (with single image), design in image believed to be dated prior to Jul. 5, 2005.

Sheet 2 (with two images), designs in images believed to be dated prior to Jul. 5, 2005.

Sheet 3 (with single image), design in image believed to be dated prior to Jul. 5, 2005.

* cited by examiner

Primary Examiner—Joel A. Sincavage

Assistant Examiner—Michelle E Wilson

(74) *Attorney, Agent, or Firm*—Neal Marcus

(57) **CLAIM**

We claim the ornamental design for a patio unit, as shown and described.

DESCRIPTION

This application relates to co-pending U.S. patent application No. 11/481,138 to Edward M. Seichei and Theodore H. Stark, filed on the same date hereof, entitled “Apparatus for Selectively Heating and Cooling an Outdoor Area”.

FIG. 1 is a perspective view of a patio unit showing our new design;

FIG. 2 is front view thereof;

FIG. 3 is a back view thereof;

FIG. 4 is a right side view thereof;

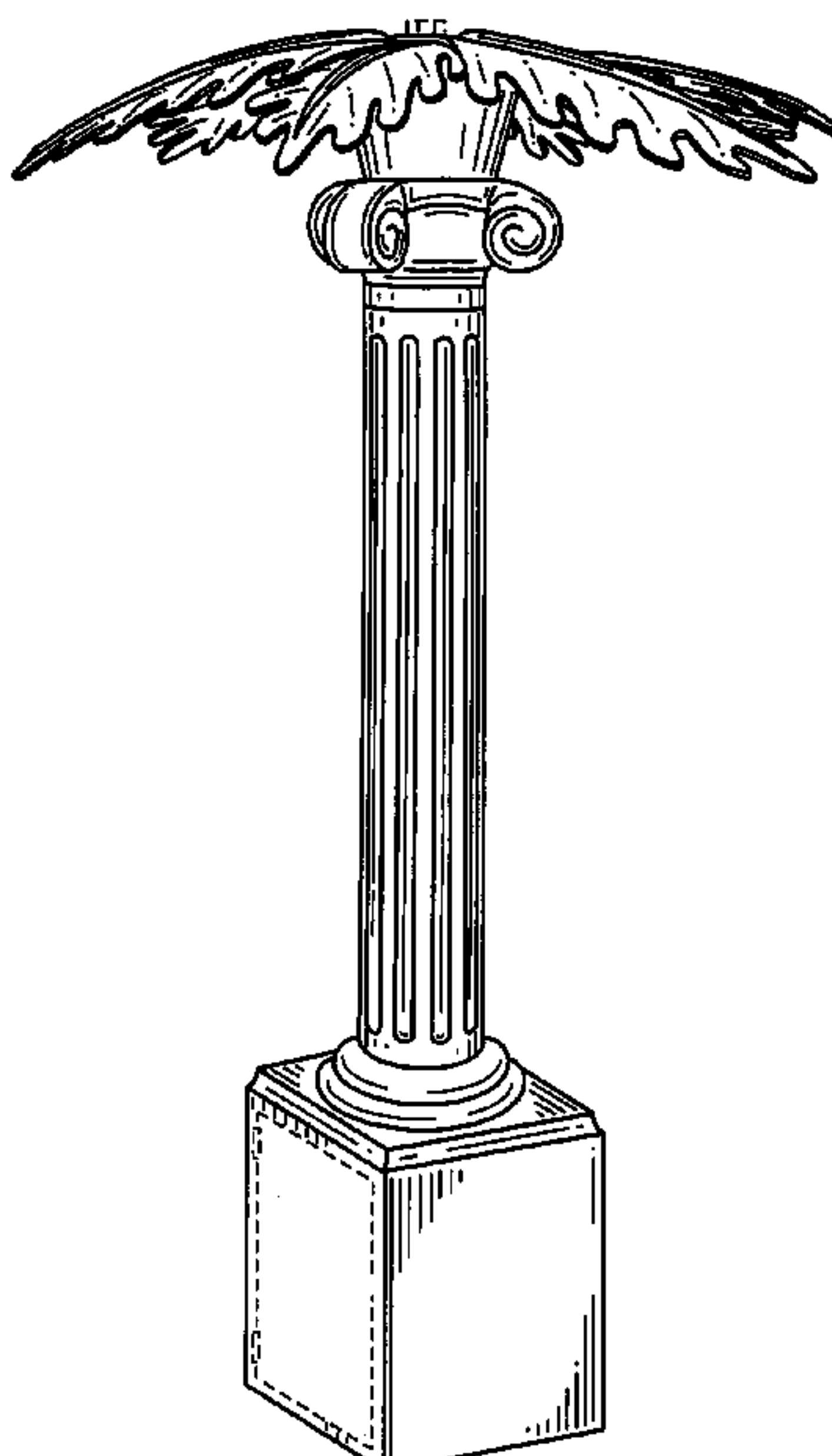
FIG. 5 is a left side view thereof;

FIG. 6 is a top view thereof; and,

FIG. 7 is a bottom view thereof.

The ornamental design which is claimed is shown in solid lines in the drawings. The broken lines in the drawings are for illustration purposes only and form no part of the claimed design.

1 Claim, 7 Drawing Sheets



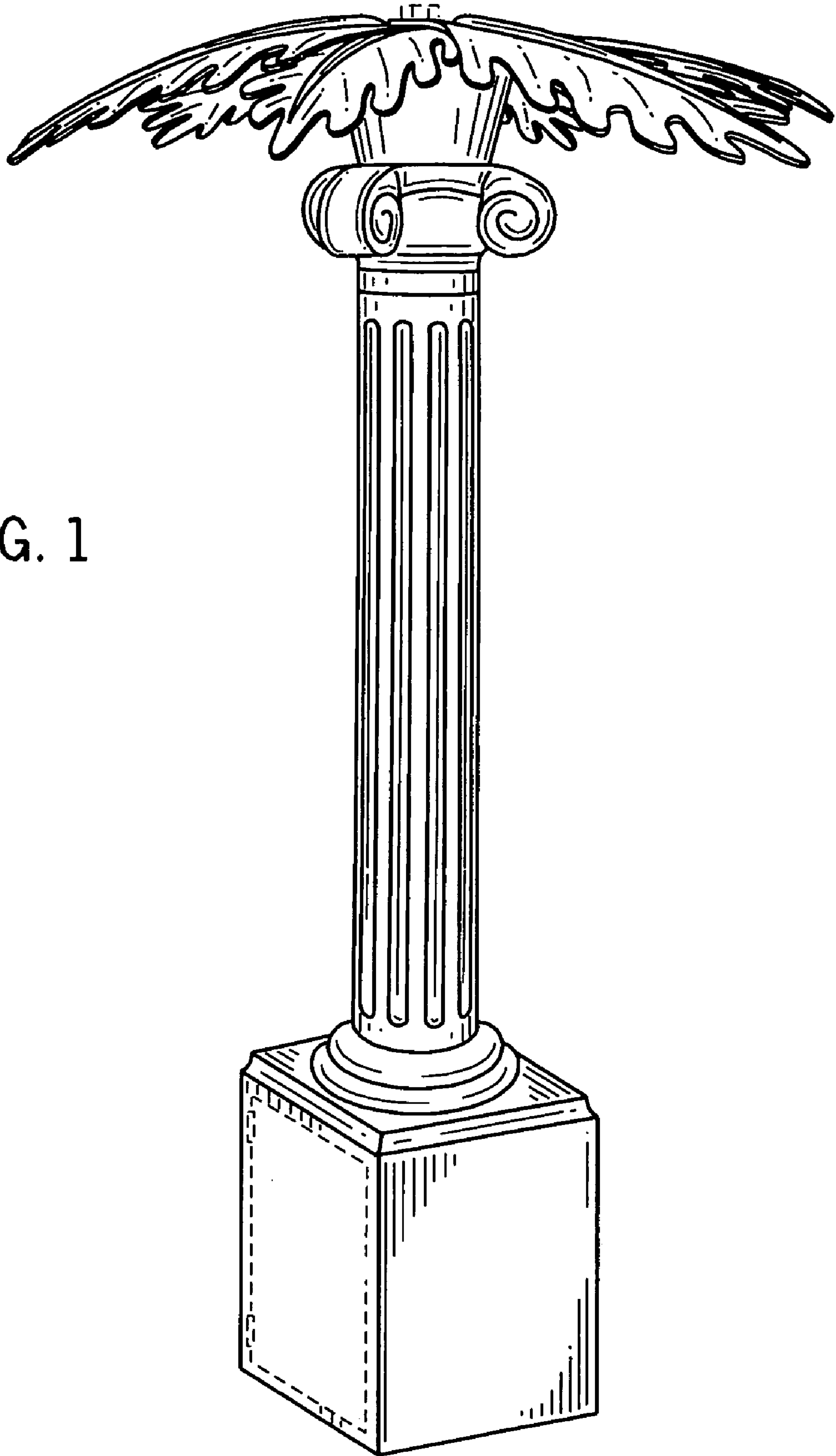


FIG. 1

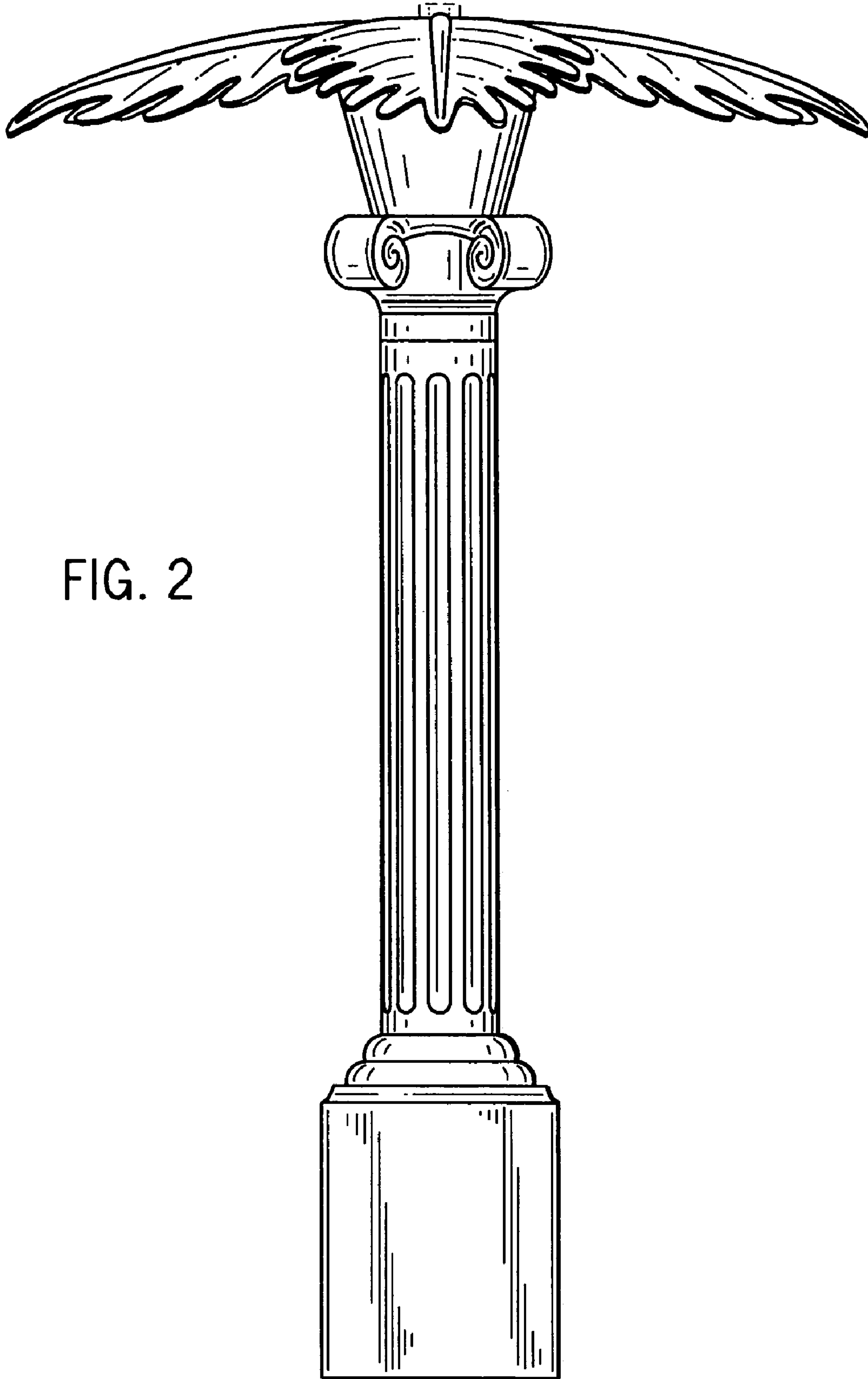


FIG. 2

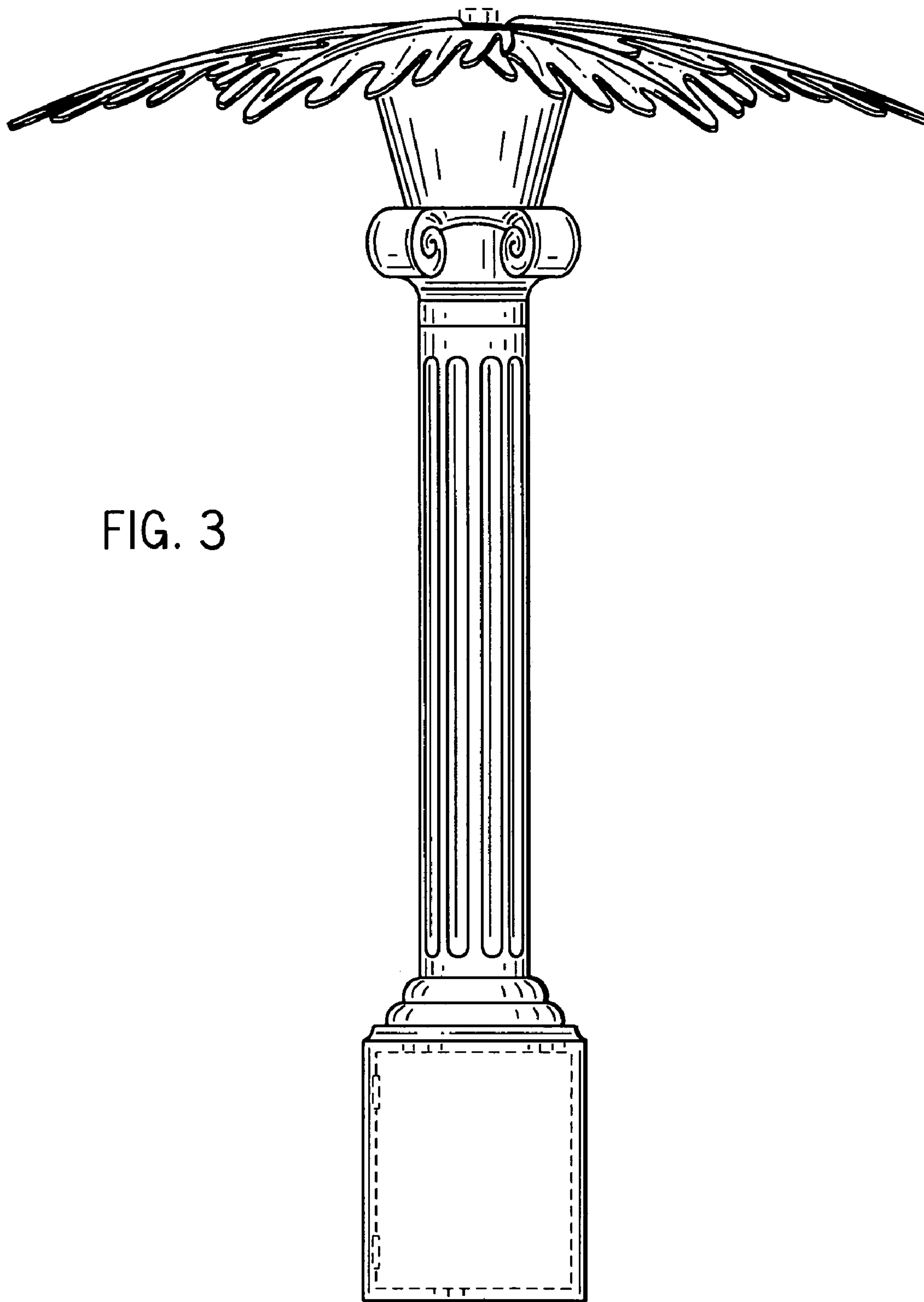


FIG. 3

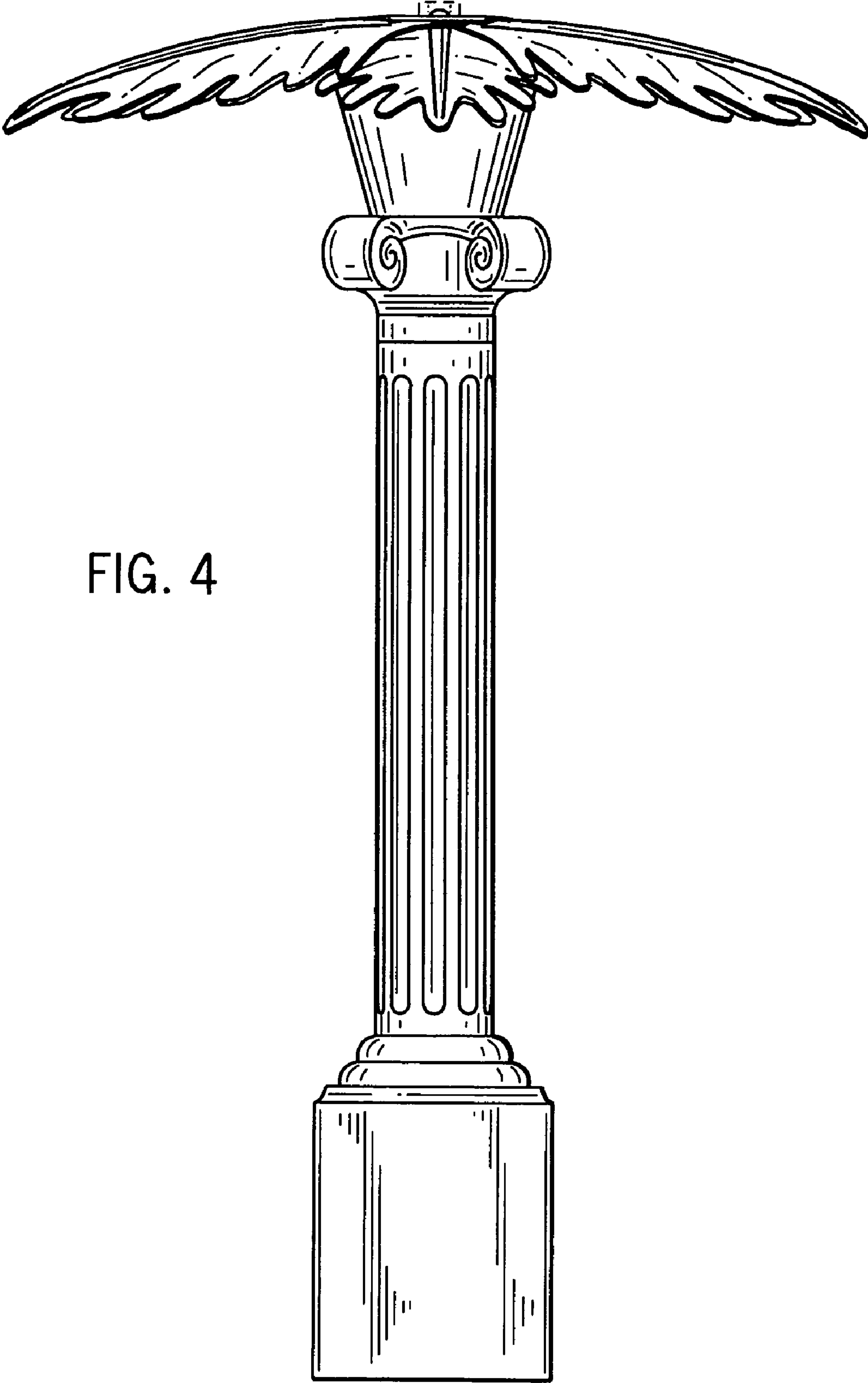


FIG. 4

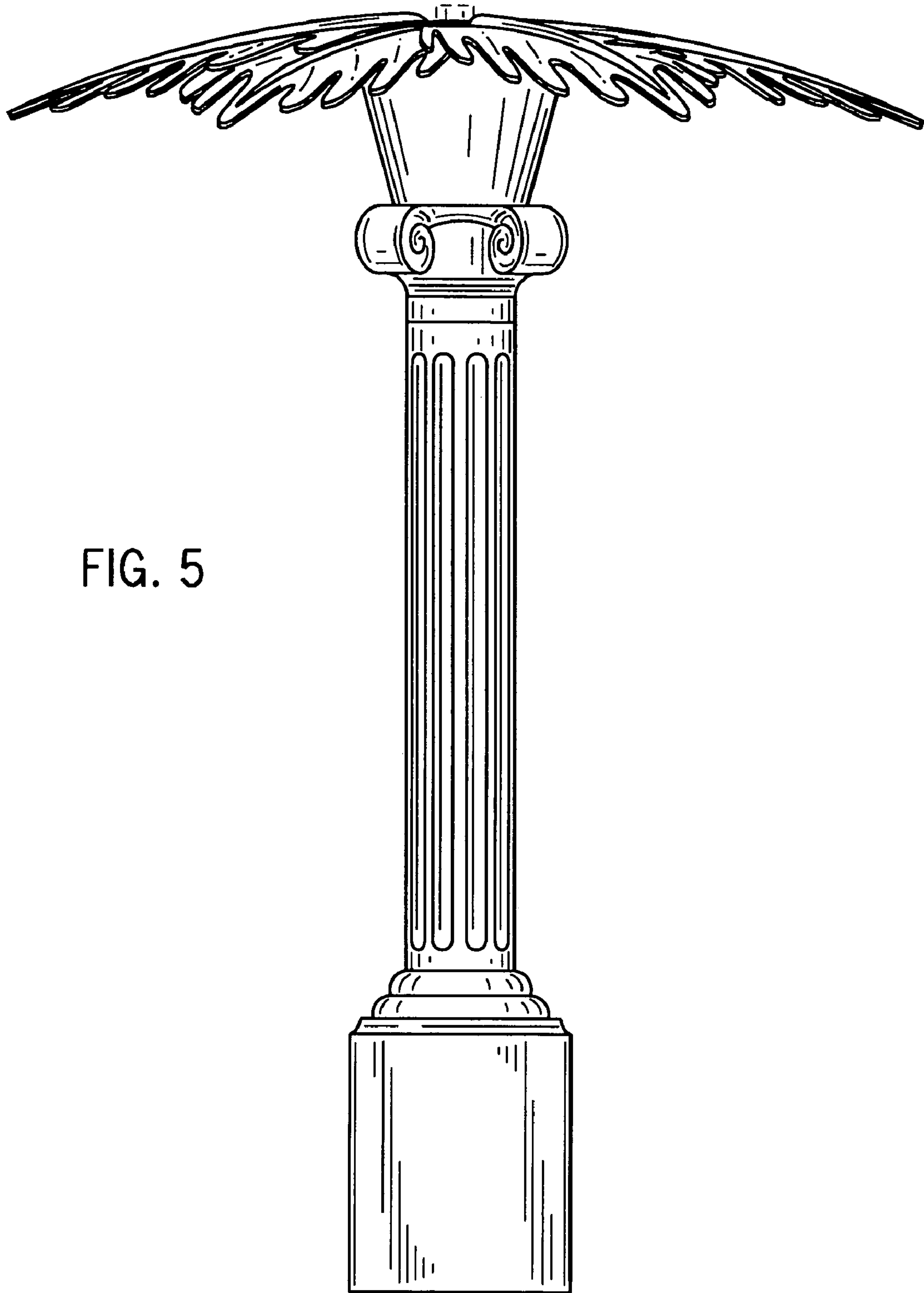


FIG. 5

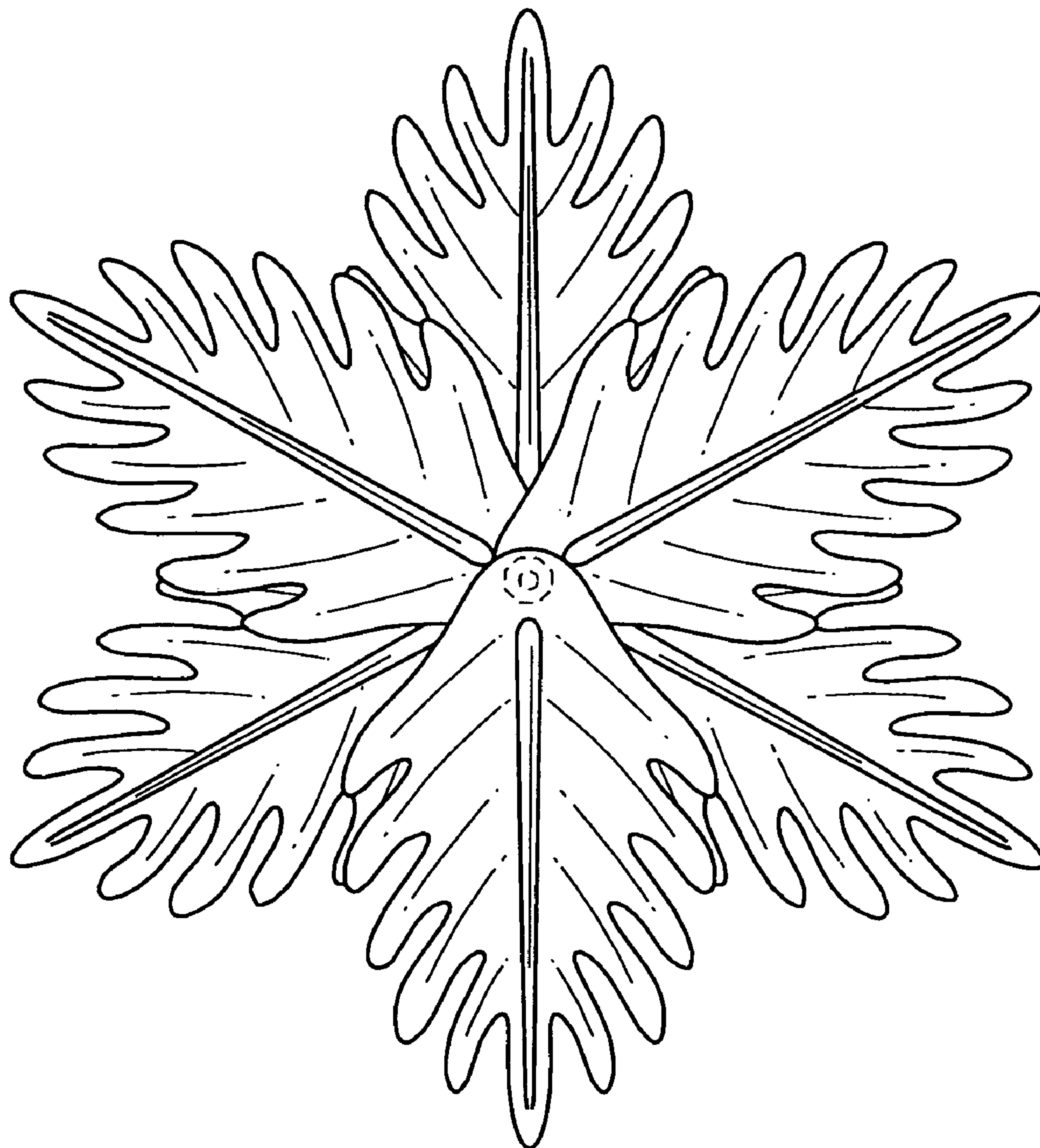


FIG. 6

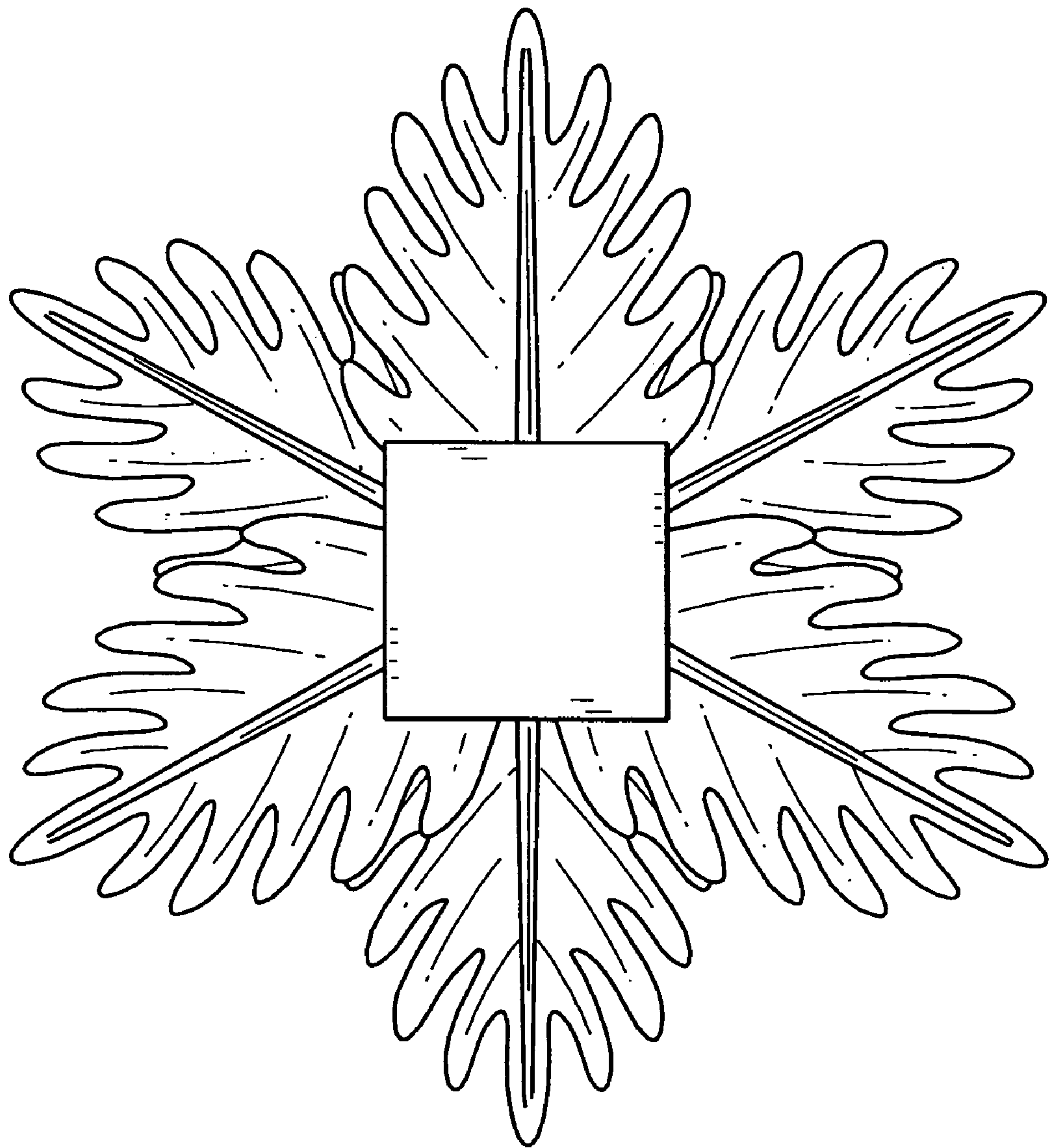


FIG. 7