

US00D565991S

(12) **United States Design Patent**
Mouclier

(10) **Patent No.:** **US D565,991 S**

(45) **Date of Patent:** **** *Apr. 8, 2008**

(54) **RING**

(75) **Inventor:** **Jean Mouclier**, Montmorency (FR)

(73) **Assignee:** **Cartier Creation Studio SA**, Geneva (CH)

(**) **Term:** **14 Years**

(21) **Appl. No.:** **29/255,163**

(22) **Filed:** **Mar. 2, 2006**

(30) **Foreign Application Priority Data**

Sep. 9, 2005 (EM) 000398623-0006

(51) **LOC (8) Cl.** **11-01**

(52) **U.S. Cl.** **D11/26**

(58) **Field of Classification Search** D11/26-39;
63/15, 15.1-15.4, 14.5, 15.6, 15.65, 15.7,
63/26-27

See application file for complete search history.

(56) **References Cited**

U.S. PATENT DOCUMENTS

2,273,227	A *	2/1942	Simmons	D11/35
D404,332	S *	1/1999	Perrin et al.	D11/26
D404,333	S *	1/1999	Perrin et al.	D11/26
D404,335	S *	1/1999	Perrin et al.	D11/29
D523,769	S *	6/2006	Arlanda	D11/26

OTHER PUBLICATIONS

Jewelers', Circular Keystone vol. 171-5, p. 104, Design of Ring, Received by the National Center for Industrial Property Information on Jun. 26, 2000. (Japanese Patent Office Design Examination Division Publicly Known Document No. HB 12004239.). JPO Office Action for corresponding Japanese Application No. 014313 citing Japanese Patent Office Design Examination Division Public Document No. HB 12004239.

* cited by examiner

Primary Examiner—Charles A. Rademaker

Assistant Examiner—Melanie Levy

(74) *Attorney, Agent, or Firm*—Kalow & Springut, LLP

(57) **CLAIM**

I claim the ornamental design for a ring, as shown and described.

DESCRIPTION

FIG. 1 is a perspective view of the ring.

FIG. 2 is a top view of the ring.

FIG. 3 is a bottom view of the ring.

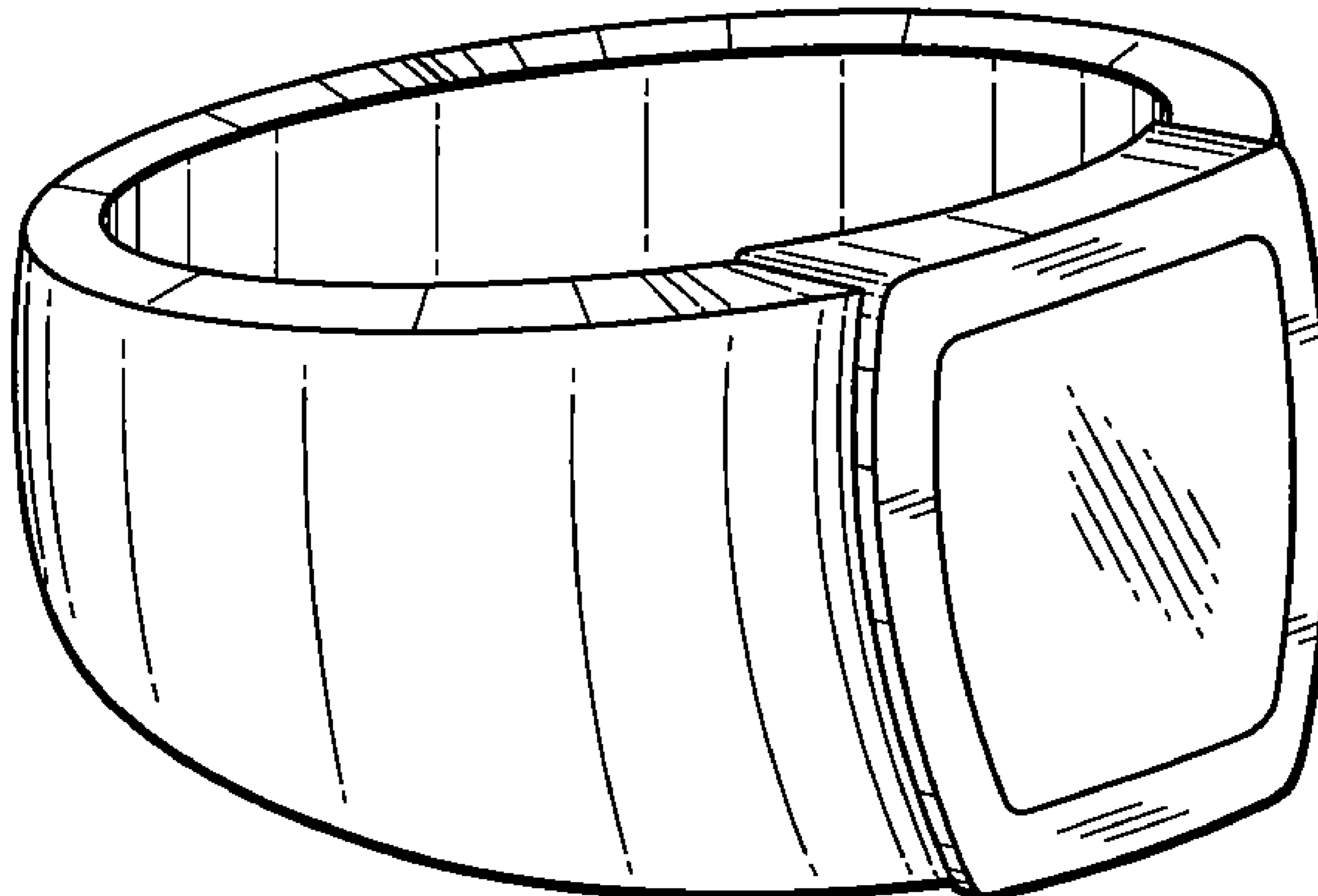
FIG. 4 is a left side view of the ring.

FIG. 5 is a right side view of the ring.

FIG. 6 is a front view of the ring; and,

FIG. 7 is a rear view of the ring.

1 Claim, 4 Drawing Sheets



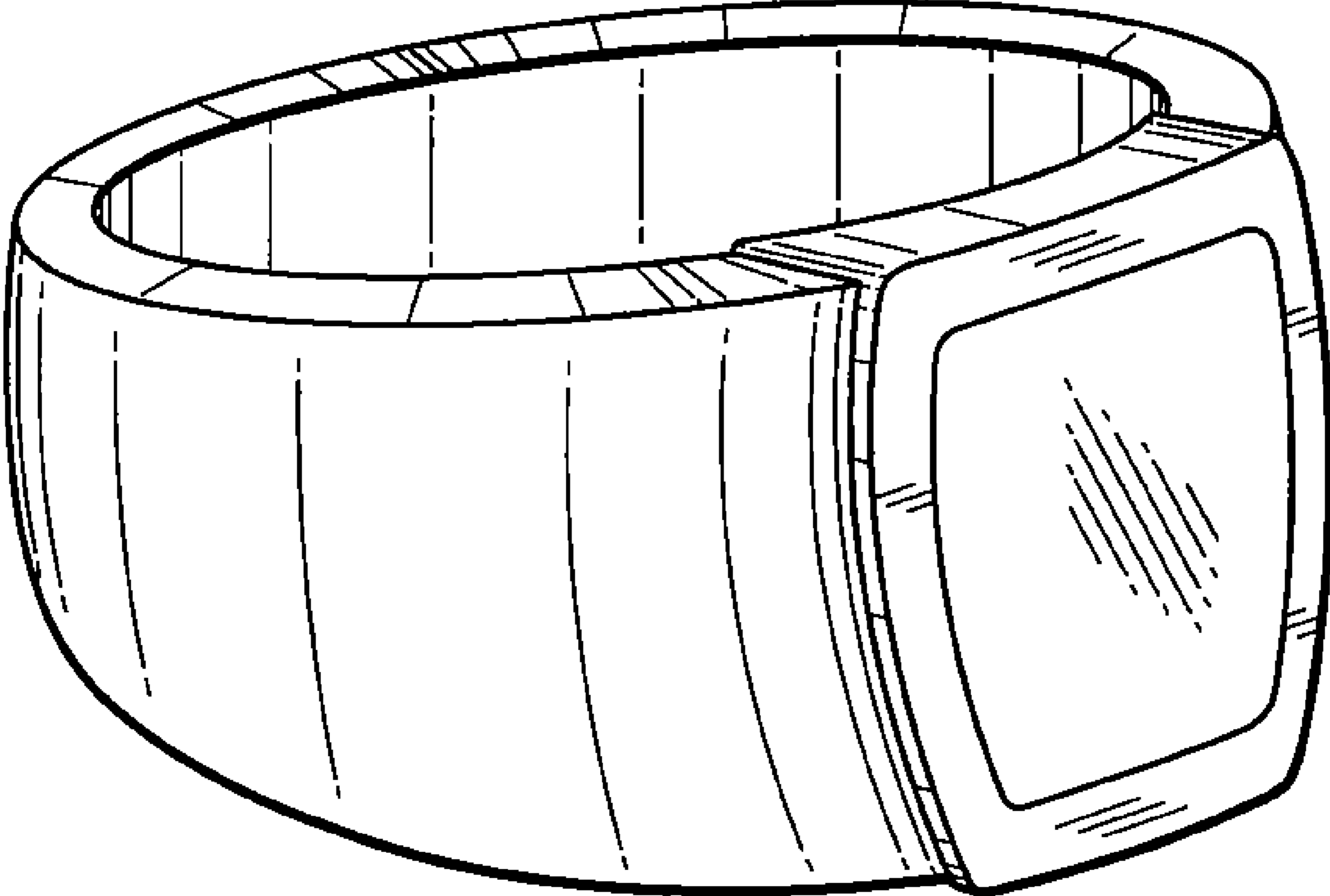


FIG. 1

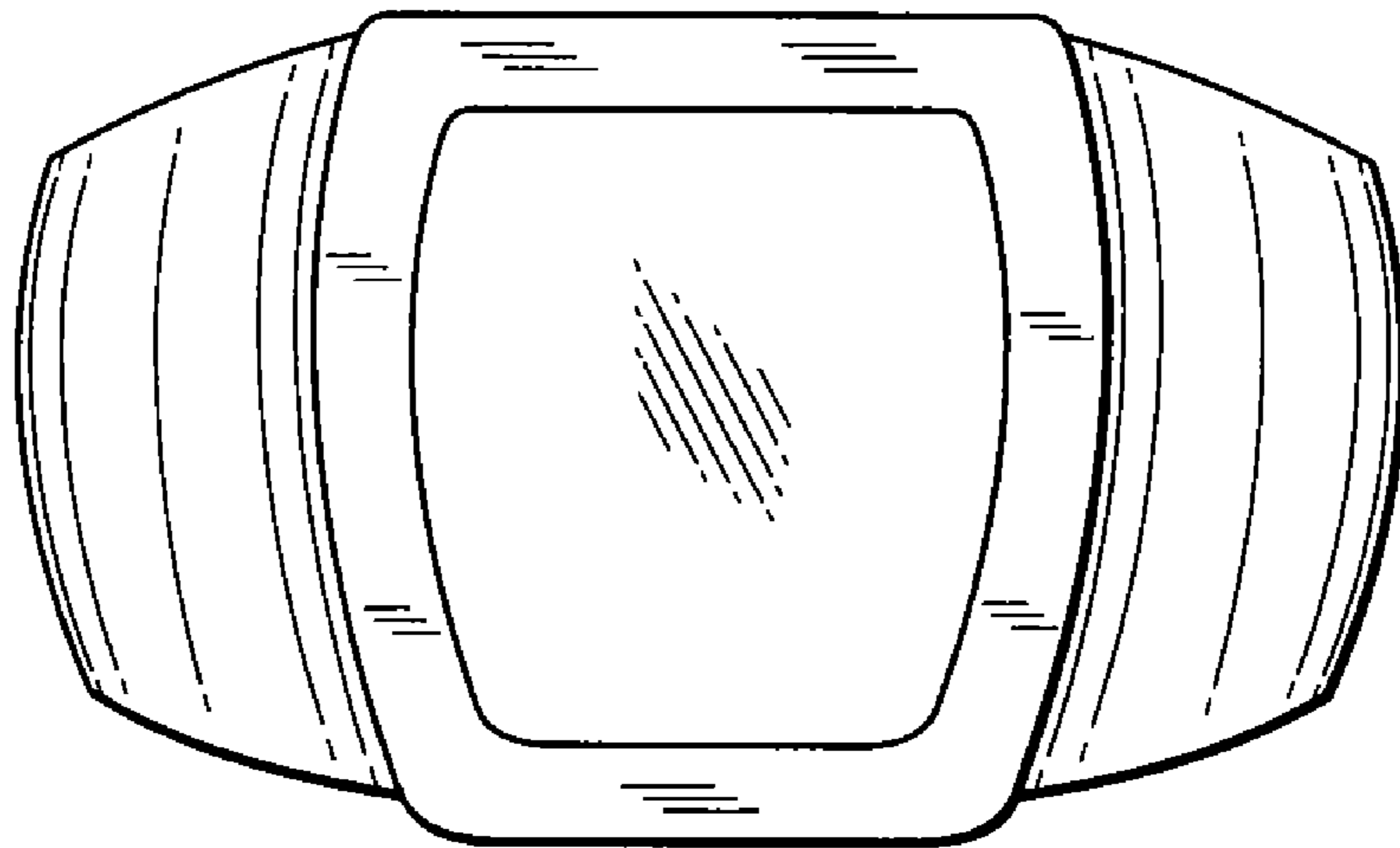


FIG. 2

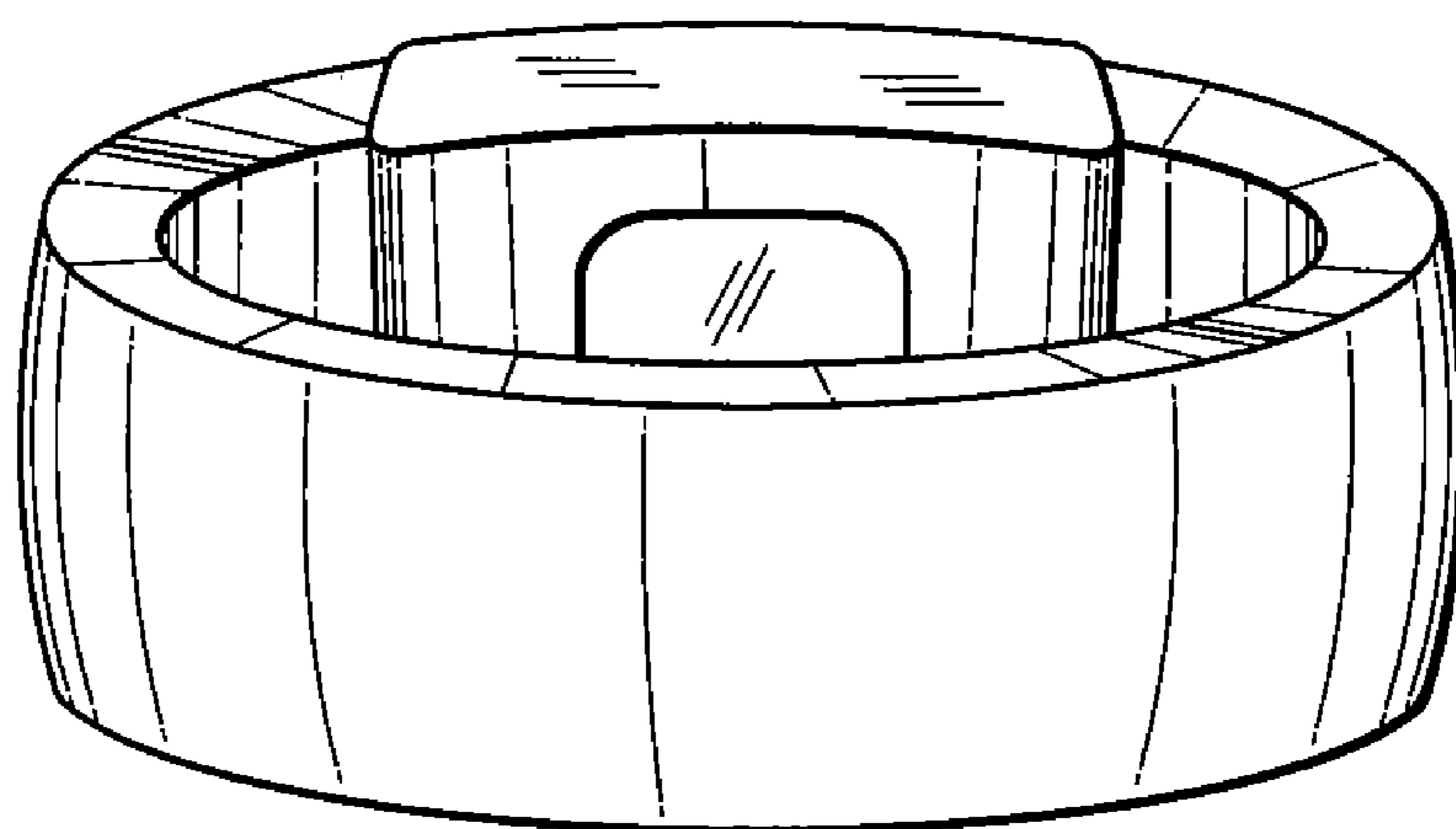


FIG. 3

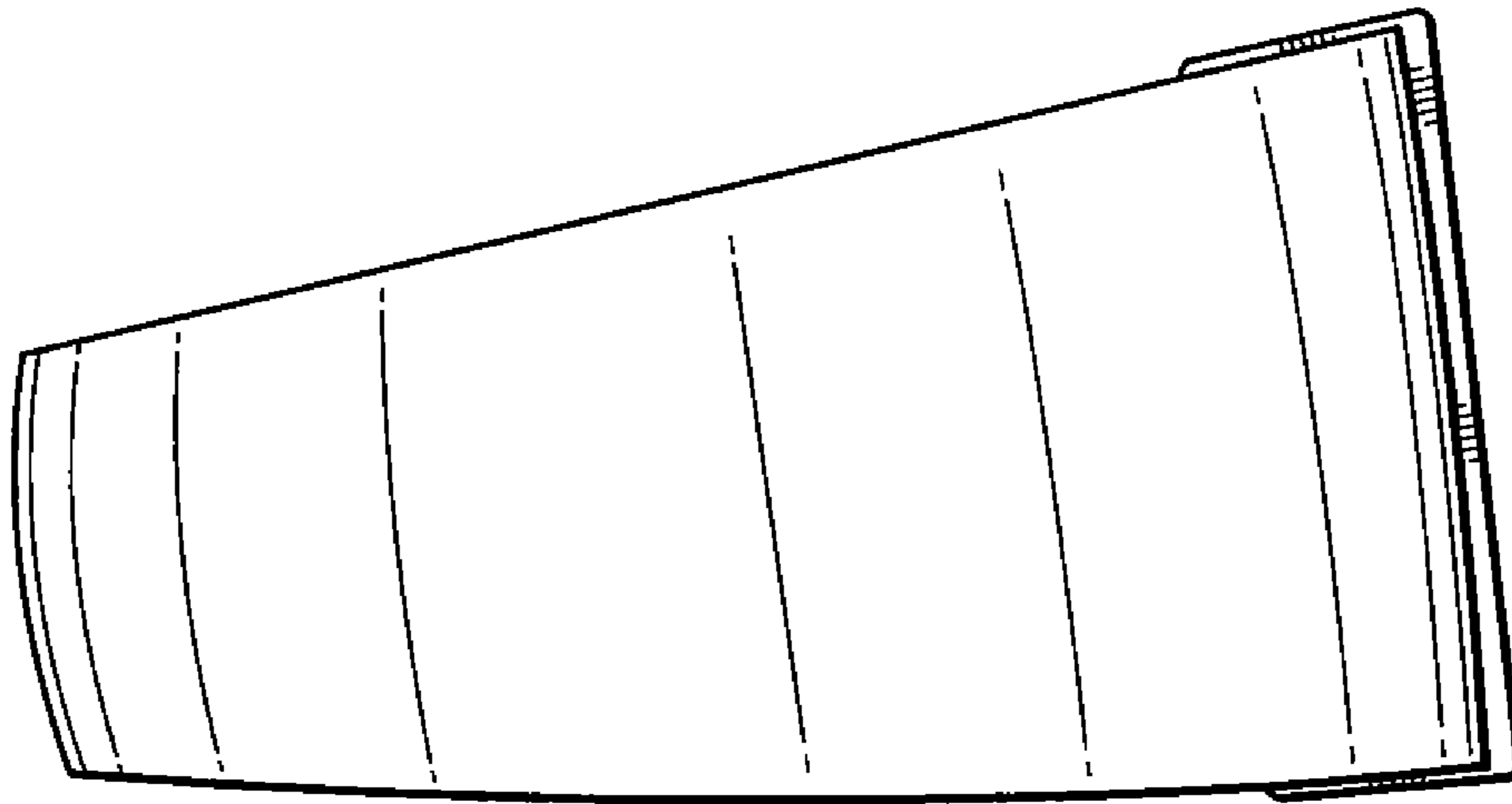


FIG. 4

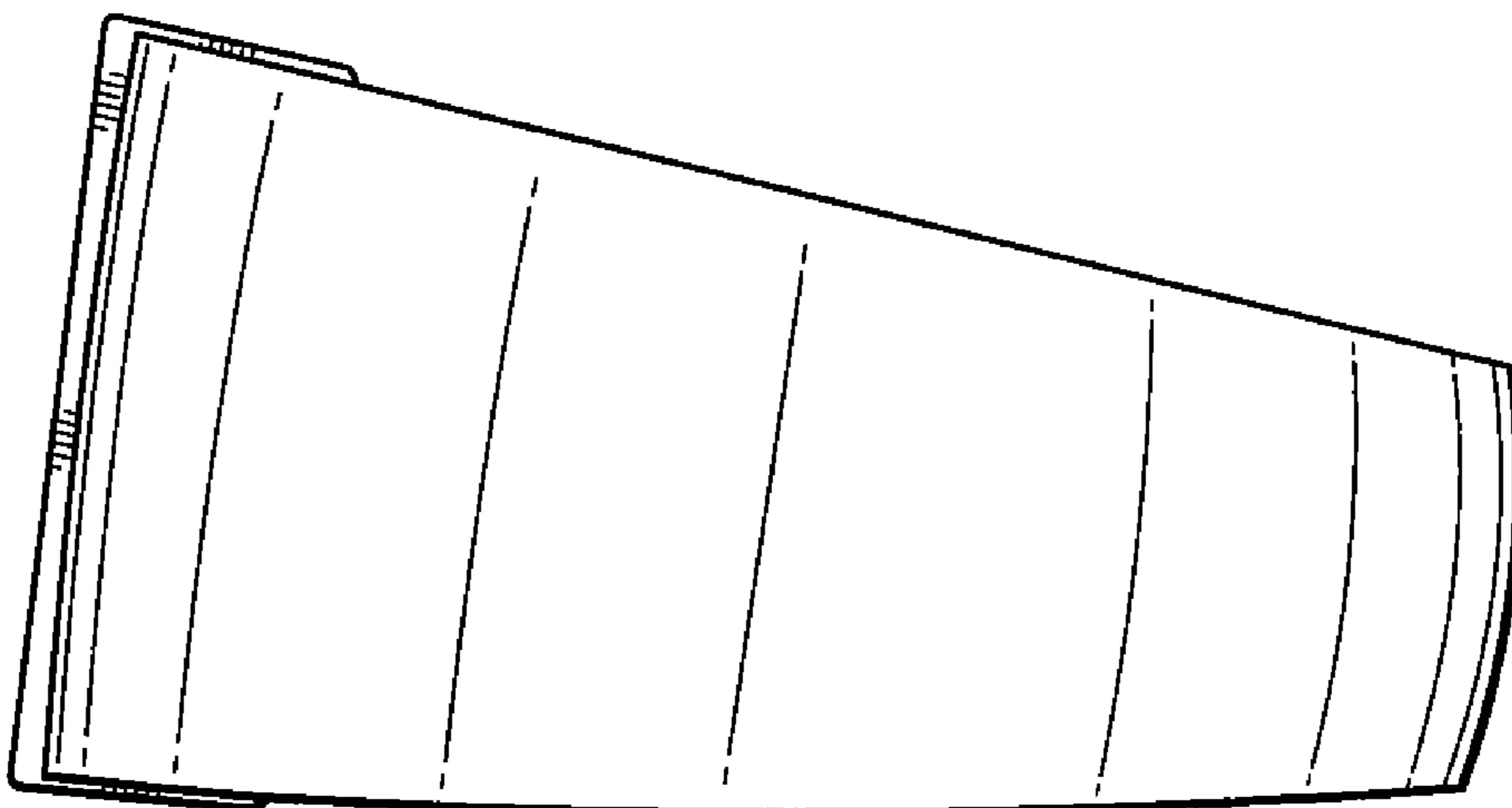


FIG. 5

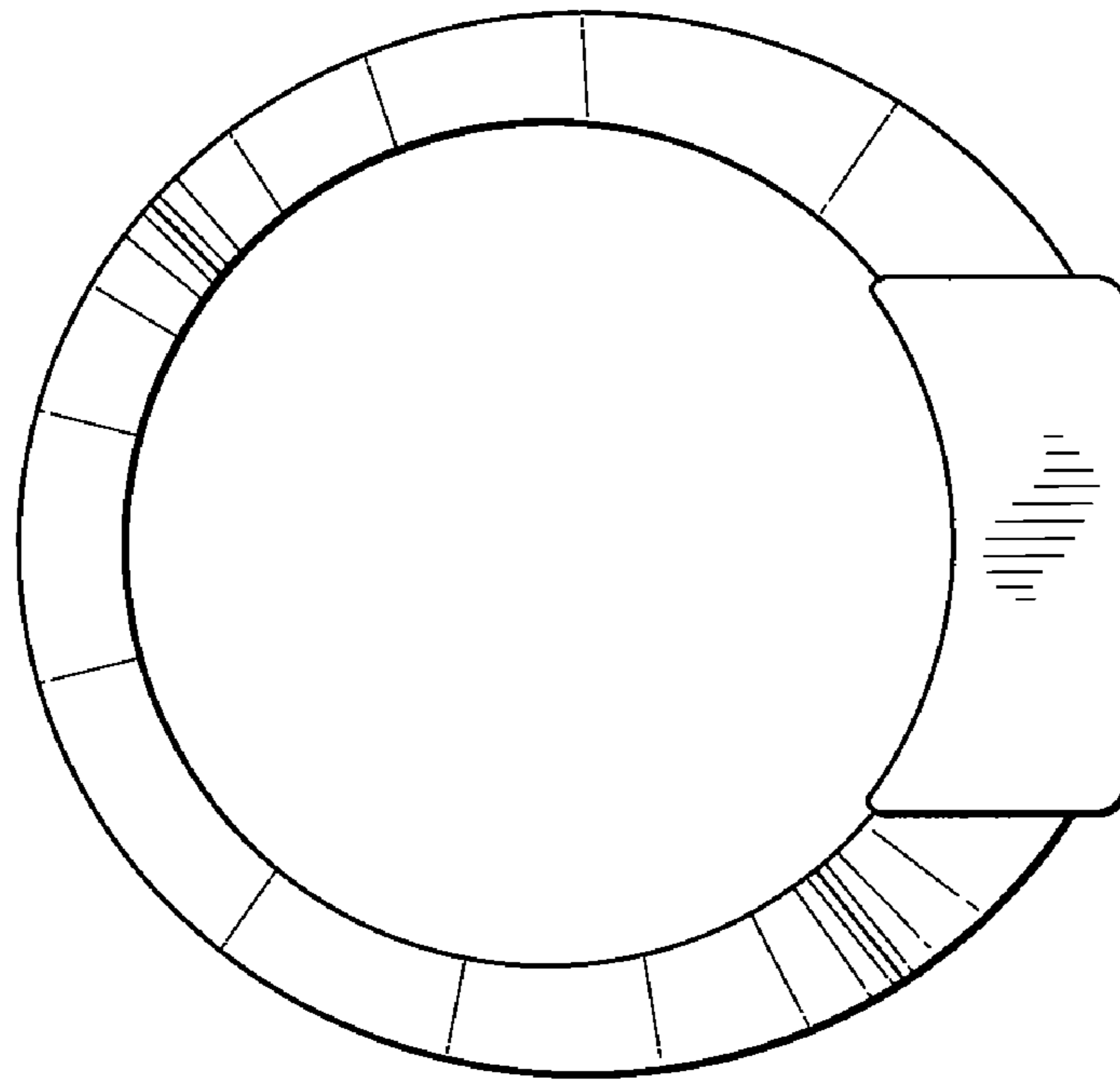


FIG. 6

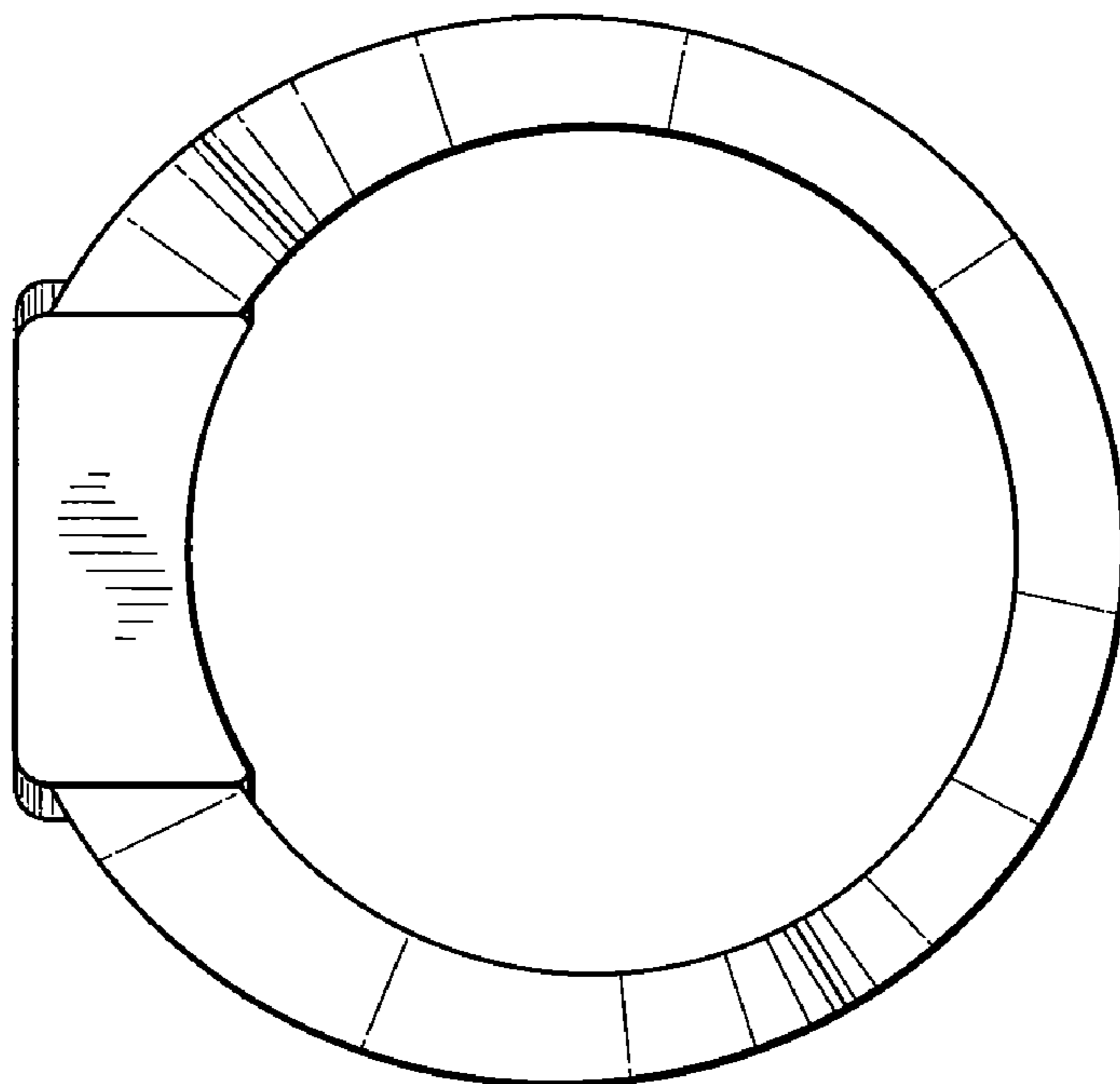


FIG. 7