



US00D565990S

(12) **United States Design Patent**  
**Allin**

(10) **Patent No.:** **US D565,990 S**

(45) **Date of Patent:** **\*\* Apr. 8, 2008**

(54) **RING**

6,766,659 B1 \* 7/2004 Varga ..... D11/26

(75) Inventor: **Miyuki Allin**, Paris (FR)

\* cited by examiner

(73) Assignee: **Cartier Creation Studio SA**, Geneva (CH)

*Primary Examiner*—Charles A. Rademaker

*Assistant Examiner*—Melanie Levy

(74) *Attorney, Agent, or Firm*—Kalow & Springut, LLP

(\*\*) Term: **14 Years**

(21) Appl. No.: **29/240,810**

(22) Filed: **Oct. 18, 2005**

(30) **Foreign Application Priority Data**

Apr. 22, 2005 (EM) ..... 000329222-0005

(51) **LOC (8) Cl.** ..... **11-01**

(52) **U.S. Cl.** ..... **D11/26**

(58) **Field of Classification Search** ..... D11/3,  
D11/26-39; 63/15, 15.1-15.4, 15.45, 15.5,  
63/15.6, 15.65, 15.7, 26-27

See application file for complete search history.

(56) **References Cited**

**U.S. PATENT DOCUMENTS**

D54,547 S \* 3/1920 Gilsey ..... D11/34

D135,352 S \* 3/1943 Bihari ..... D11/26

(57) **CLAIM**

I claim the ornamental design for a ring, as shown and described.

**DESCRIPTION**

FIG. 1 is a perspective view of the ring.

FIG. 2 is a top view of the ring.

FIG. 3 is a bottom view of the ring.

FIG. 4 is a left side view of the ring.

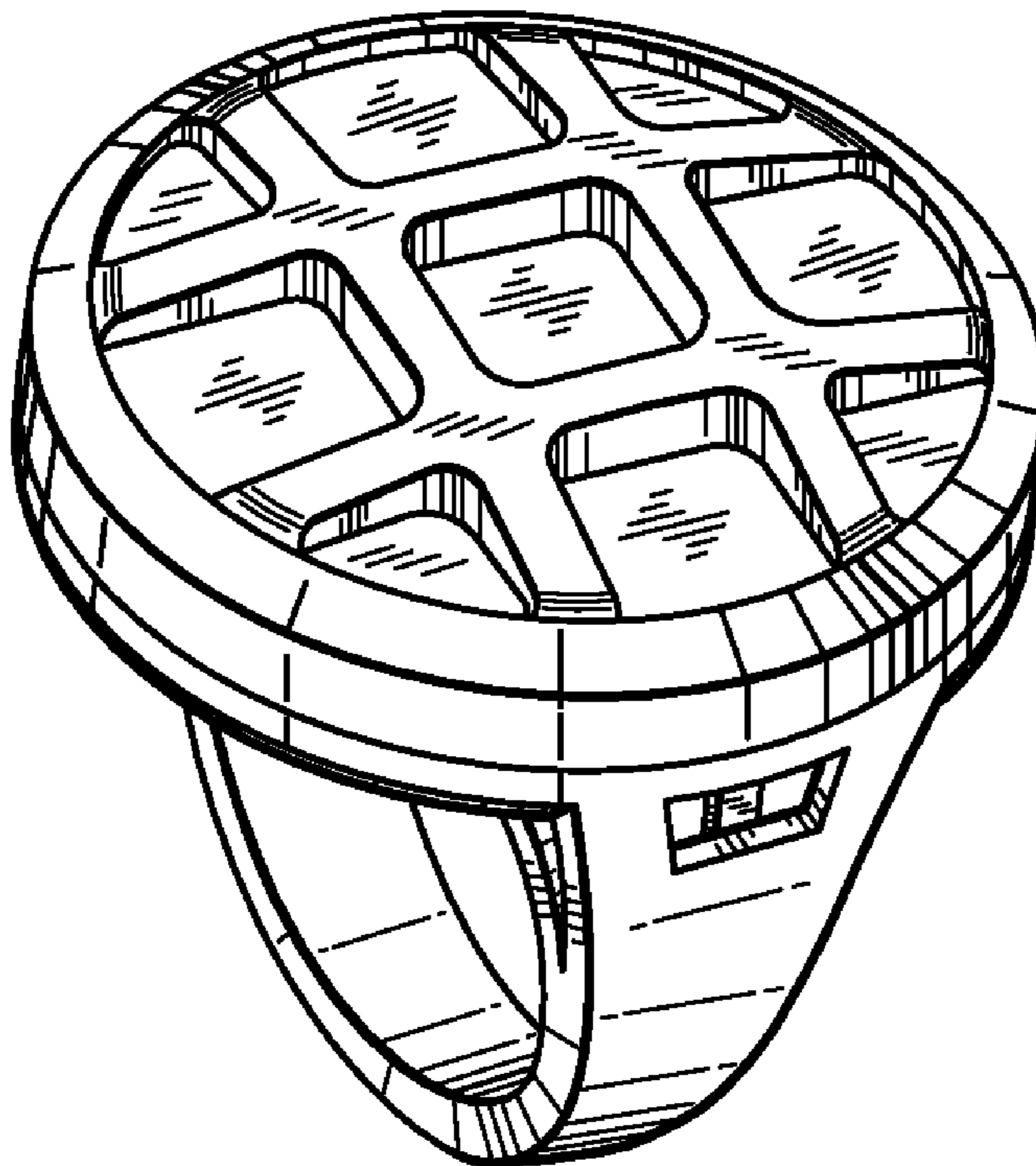
FIG. 5 is a right side view of the ring.

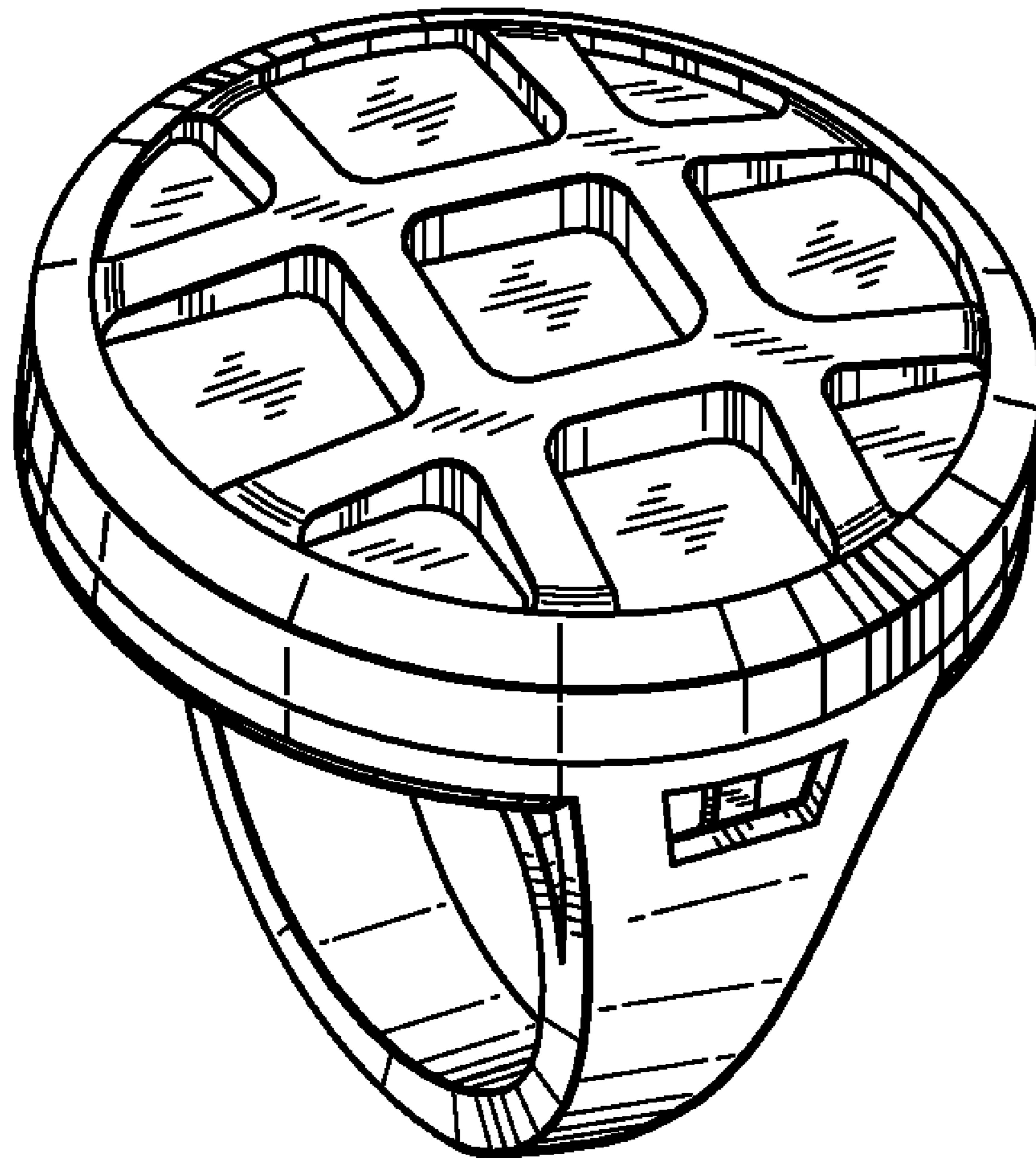
FIG. 6 is a front view of the ring; and,

FIG. 7 is a rear view of the ring.

The broken lines are for illustrative purposes only and form no part of the claimed design.

**1 Claim, 4 Drawing Sheets**





*FIG. 1*

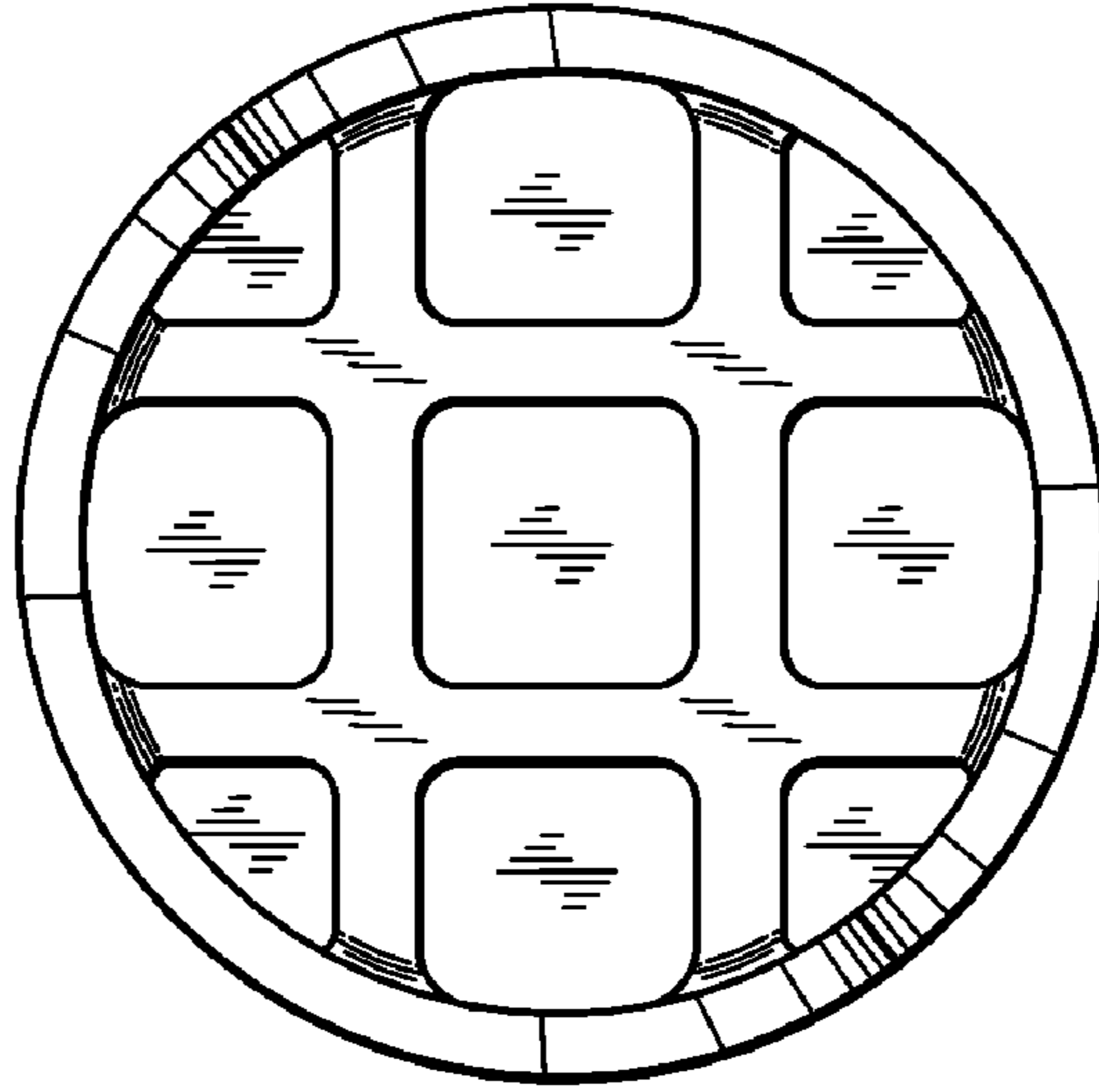


FIG. 2

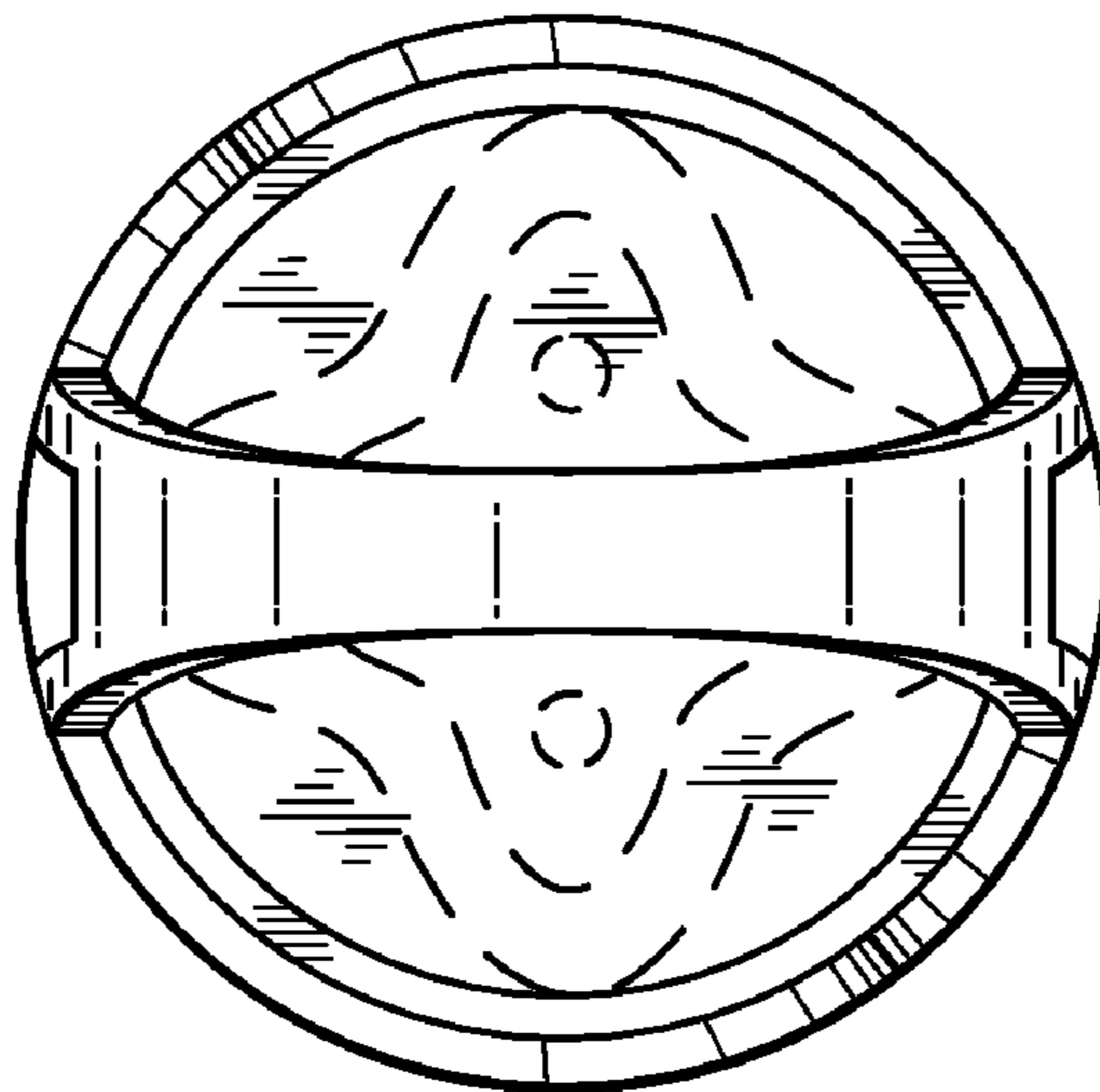
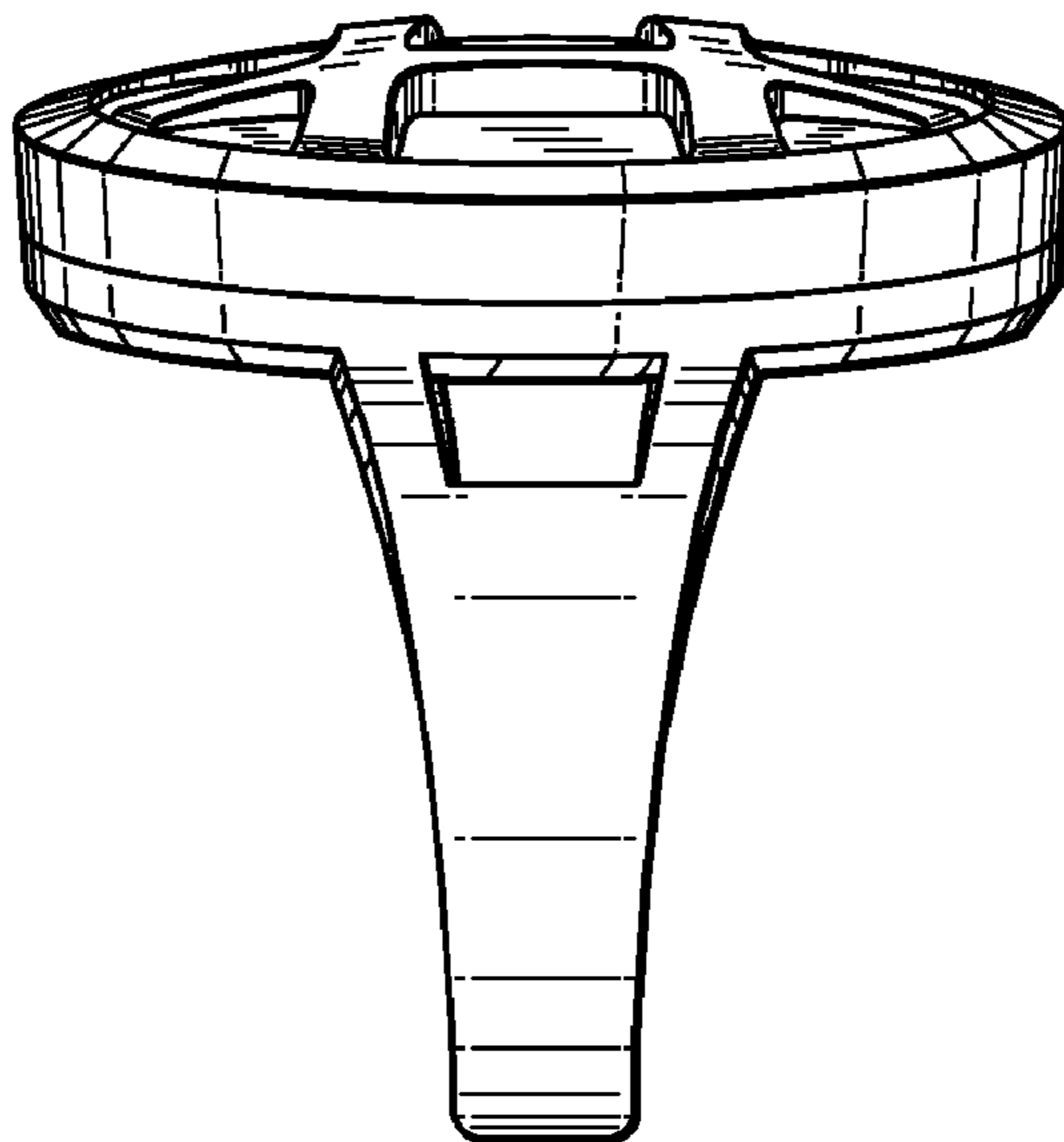
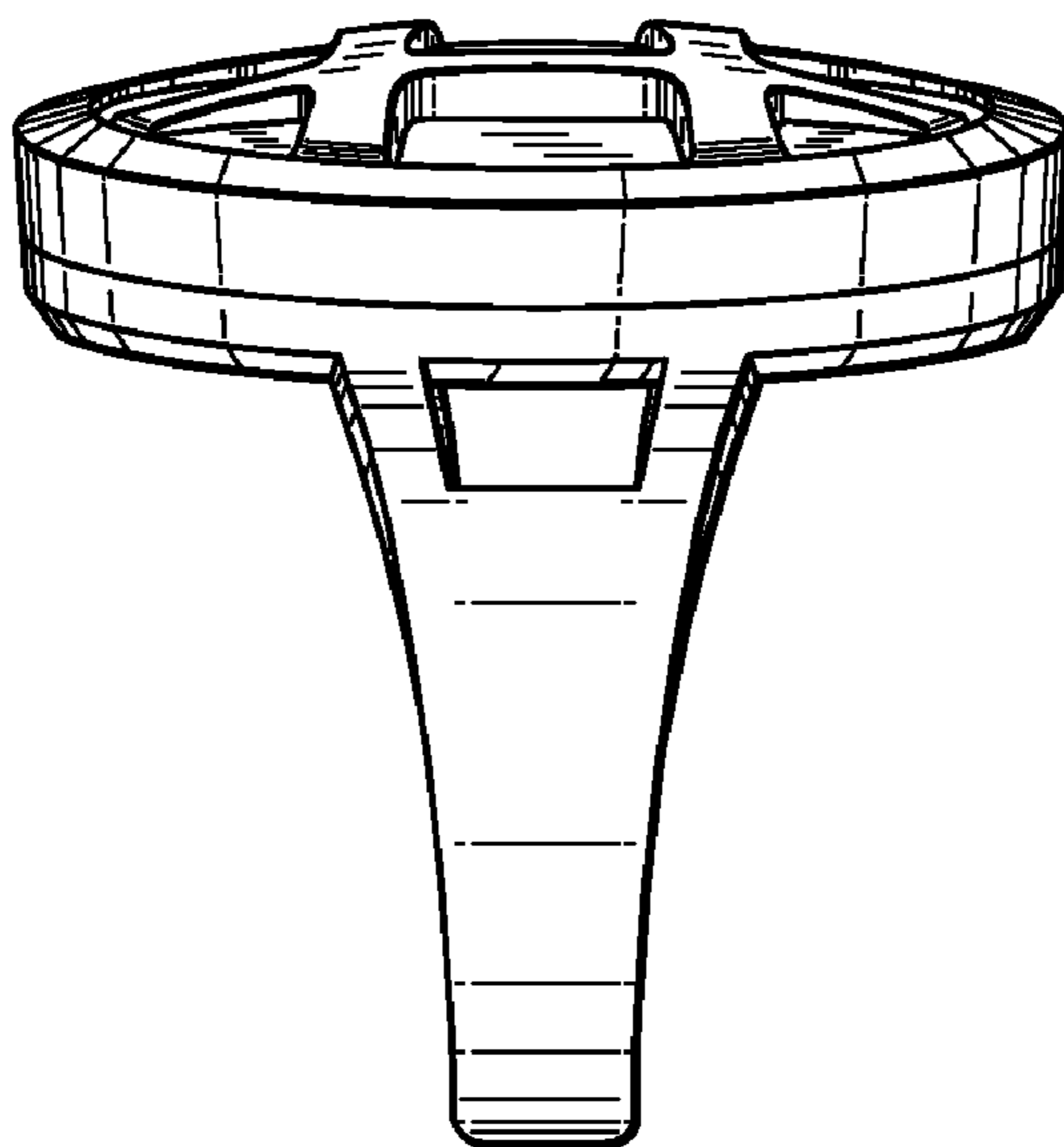


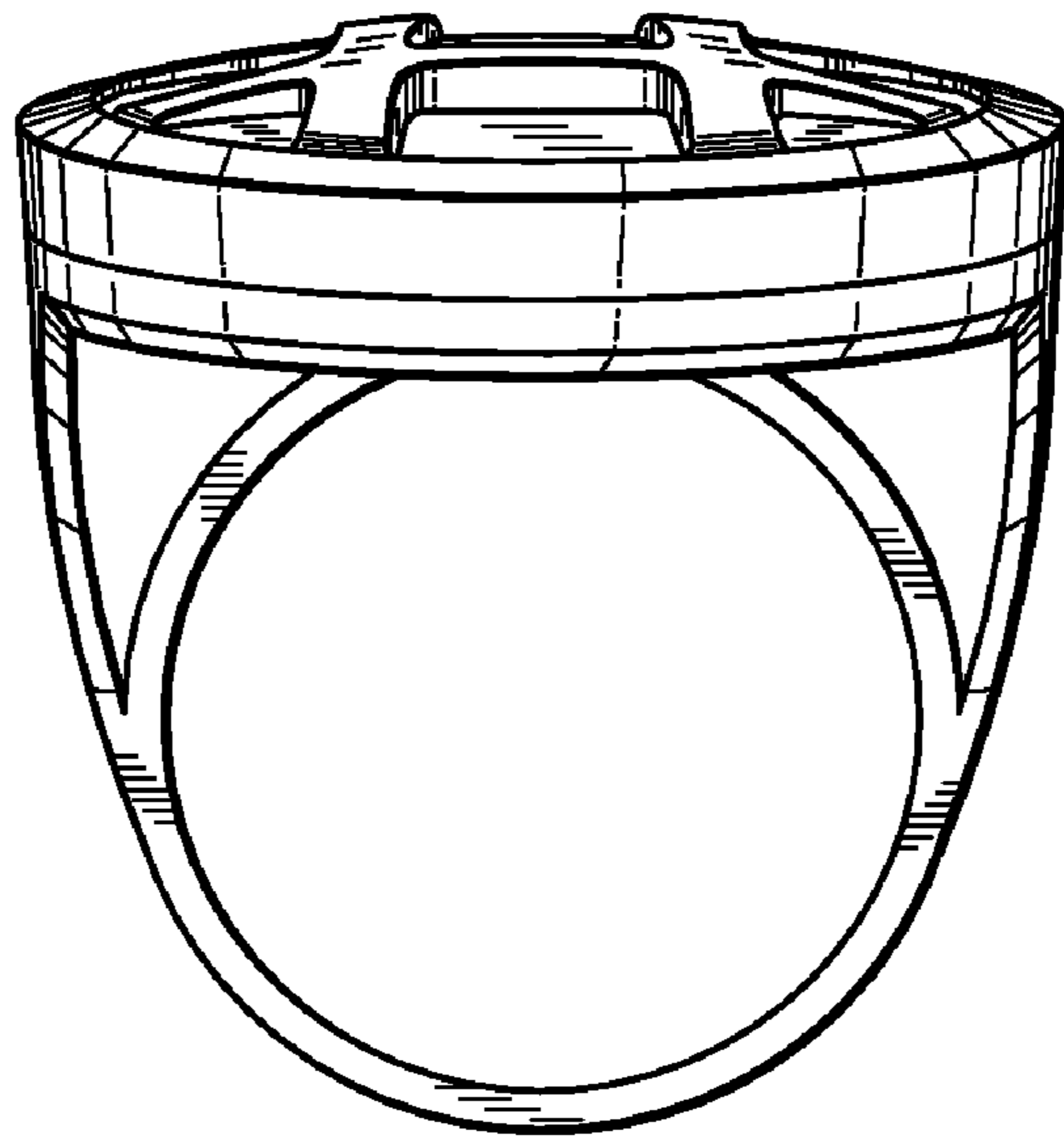
FIG. 3



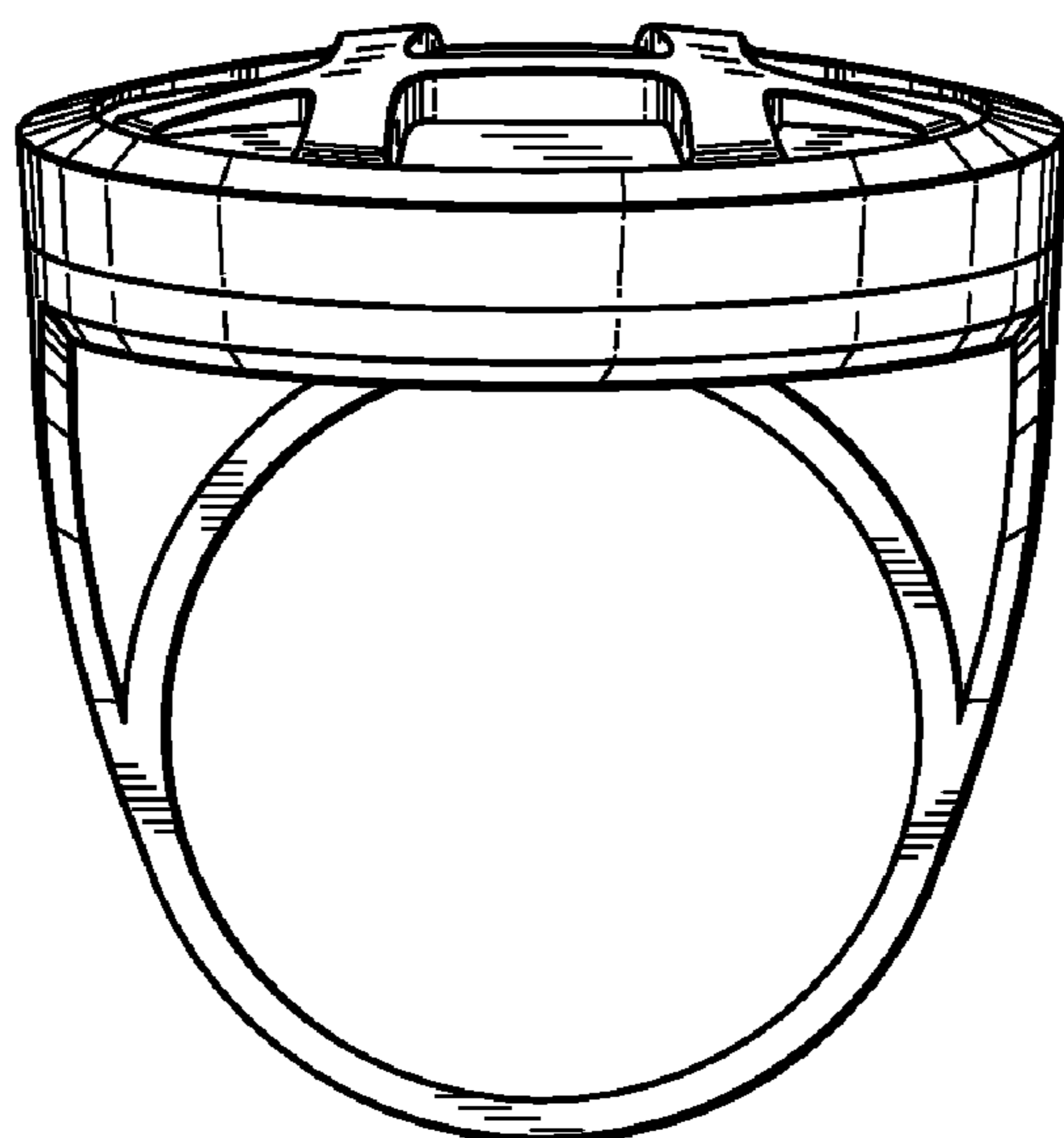
*FIG. 4*



*FIG. 5*



*FIG. 6*



*FIG. 7*