



US00D565985S

(12) **United States Design Patent**  
**Eigentler**

(10) **Patent No.:** **US D565,985 S**

(45) **Date of Patent:** **\*\* Apr. 8, 2008**

(54) **ROAD-MARKING DEVICE**

(57) **CLAIM**

(75) Inventor: **Karl Eigentler**, Mieders (AT)

The ornamental design for a road-marking device, as shown.

(73) Assignee: **D. Swarovski & Co.**, Wattens (AT)

**DESCRIPTION**

(\*\*) Term: **14 Years**

FIG. 1 is a perspective view of a road-marking device according to a first embodiment of the present invention;

(21) Appl. No.: **29/287,229**

FIG. 2 is a left end view of the road-marking device according to the first embodiment;

(22) Filed: **Jul. 12, 2007**

FIG. 3 is a top view of the road-marking device according to the first embodiment;

(51) **LOC (8) Cl.** ..... **10-05**

FIG. 4 is a right end view of the road-marking device according to the first embodiment;

(52) **U.S. Cl.** ..... **D10/113**

(58) **Field of Classification Search** ..... D10/109-111;  
404/9-16; 359/530, 531, 547, 529; 428/172,  
428/167; 264/1.1

FIG. 5 is a front view of the road-marking device according to the first embodiment;

See application file for complete search history.

FIG. 6 is a bottom view of the road-marking device according to the first embodiment;

(56) **References Cited**

U.S. PATENT DOCUMENTS

FIG. 7 is a rear view of the road-marking device according to the first embodiment;

1,903,748	A *	4/1933	Woolums et al.	404/16
2,034,391	A *	3/1936	Hall	404/16
2,127,037	A *	8/1938	La Croix	404/16
2,172,367	A *	9/1939	Dorn	404/16
2,180,105	A *	11/1939	Farrell	404/9
2,185,488	A *	1/1940	White, Jr.	404/16
2,303,462	A *	12/1942	Horne	404/9
3,516,337	A *	6/1970	Gunther	404/9
3,570,377	A *	3/1971	Gerber	404/11
3,936,208	A *	2/1976	Baynes et al.	404/16
3,980,393	A *	9/1976	Heasley et al.	359/531
4,049,358	A *	9/1977	King et al.	404/11
4,073,568	A *	2/1978	Heasley	359/530

FIG. 8 is a perspective view of a road-marking device according to a second embodiment of the present invention;

FIG. 9 is a left end view of the road-marking device according to the second embodiment;

FIG. 10 is a top view of the road-marking device according to the second embodiment;

FIG. 11 is a right end view of the road-marking device according to the second embodiment;

FIG. 12 is a front view of the road-marking device according to the second embodiment;

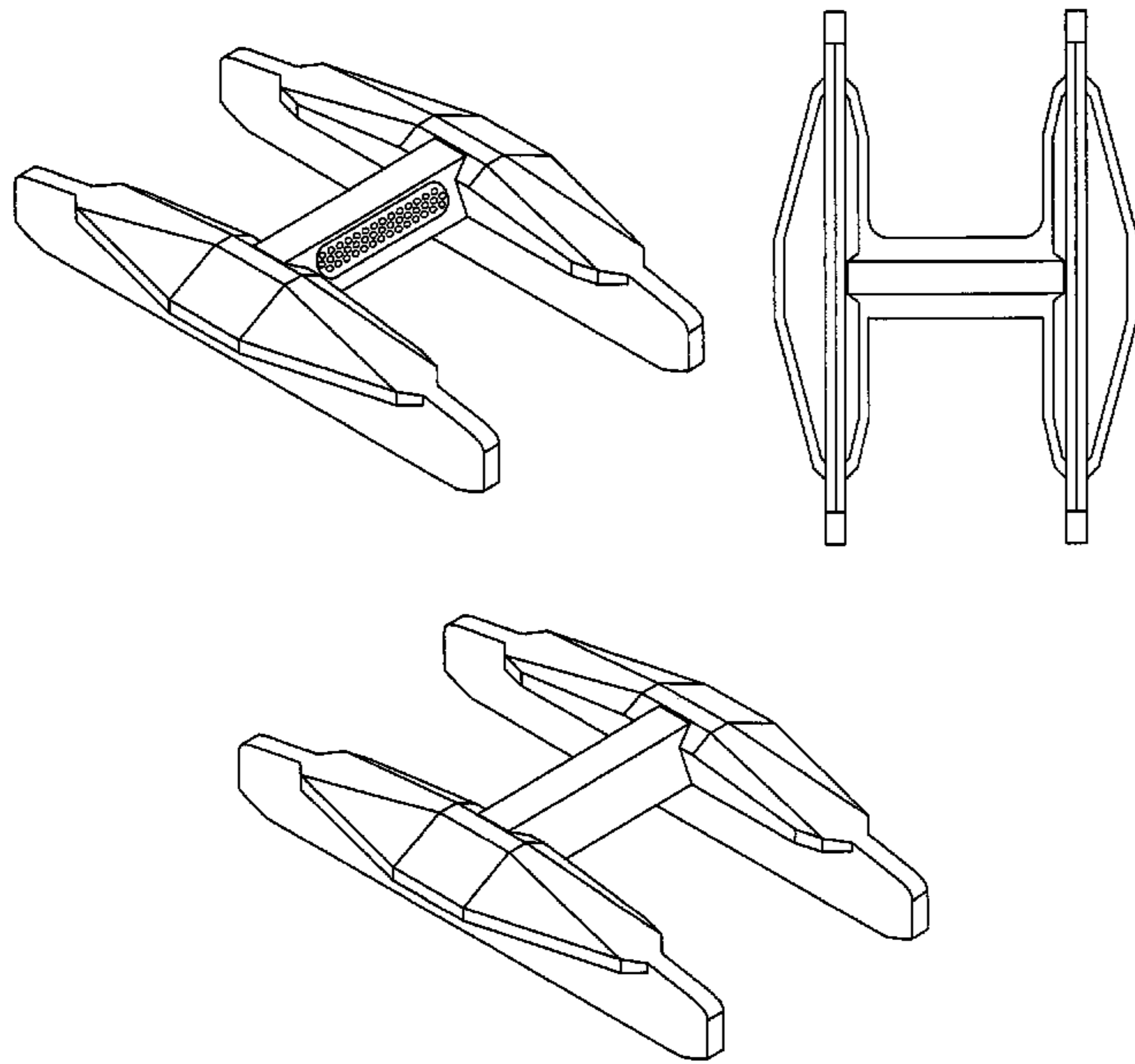
FIG. 13 is a bottom view of the road-marking device according to the second embodiment; and,

FIG. 14 is a rear view of the road-marking device according to the second embodiment.

(Continued)

*Primary Examiner*—Robert M. Spear  
*Assistant Examiner*—George D Kirschbaum  
(74) *Attorney, Agent, or Firm*—Wenderoth, Lind & Ponack,  
L.L.P.

**1 Claim, 4 Drawing Sheets**



# US D565,985 S

Page 2

## U.S. PATENT DOCUMENTS

4,076,383	A *	2/1978	Heasley .....	359/531	5,927,897	A *	7/1999	Attar .....	404/12
4,127,346	A *	11/1978	Bouffard .....	404/15	6,116,812	A *	9/2000	Hedgewick .....	404/14
4,234,264	A *	11/1980	Baldi .....	404/11	6,126,360	A *	10/2000	May et al. ....	404/14
4,577,992	A *	3/1986	Jefferies .....	404/16	6,200,064	B1 *	3/2001	Hedgewick .....	404/13
4,653,955	A *	3/1987	Racs .....	404/14	6,764,249	B2 *	7/2004	Stone .....	404/16
4,717,281	A *	1/1988	Shepherd et al. ....	404/16	D514,465	S *	2/2006	Chang .....	D10/113
4,848,958	A *	7/1989	Sheldon .....	404/11	D515,957	S *	2/2006	Dueker et al. ....	D10/109
5,074,706	A *	12/1991	Paulos .....	404/12	7,088,222	B1 *	8/2006	Dueker et al. ....	340/321
5,255,995	A *	10/1993	Branning .....	404/14	7,106,179	B1 *	9/2006	Dueker et al. ....	340/321
5,308,186	A *	5/1994	Hedgewick .....	404/14	2001/0007626	A1 *	7/2001	Hedgewick .....	404/16
5,419,651	A *	5/1995	Fei .....	404/14	2003/0091388	A1 *	5/2003	Siblik .....	404/13
5,425,596	A *	6/1995	Steere et al. ....	404/14	2004/0062604	A1 *	4/2004	Forrer .....	404/13
5,449,244	A *	9/1995	Sandino .....	404/14	2004/0184881	A1 *	9/2004	Burchell .....	404/16
5,502,593	A *	3/1996	Hedgewick .....	359/547	2006/0056171	A1 *	3/2006	Shih .....	362/135
5,513,924	A *	5/1996	Alghunaim .....	404/14	2006/0193691	A1 *	8/2006	Gonzalez et al. ....	404/15
5,662,430	A *	9/1997	Lee .....	404/15	2006/0280555	A1 *	12/2006	Forrer .....	404/16
5,667,335	A *	9/1997	Khieu et al. ....	404/14	2007/0092334	A1 *	4/2007	Forrer .....	404/16
5,897,271	A *	4/1999	Widmer .....	404/14	2007/0258763	A1 *	11/2007	Burchell .....	404/14

\* cited by examiner

Figure 1

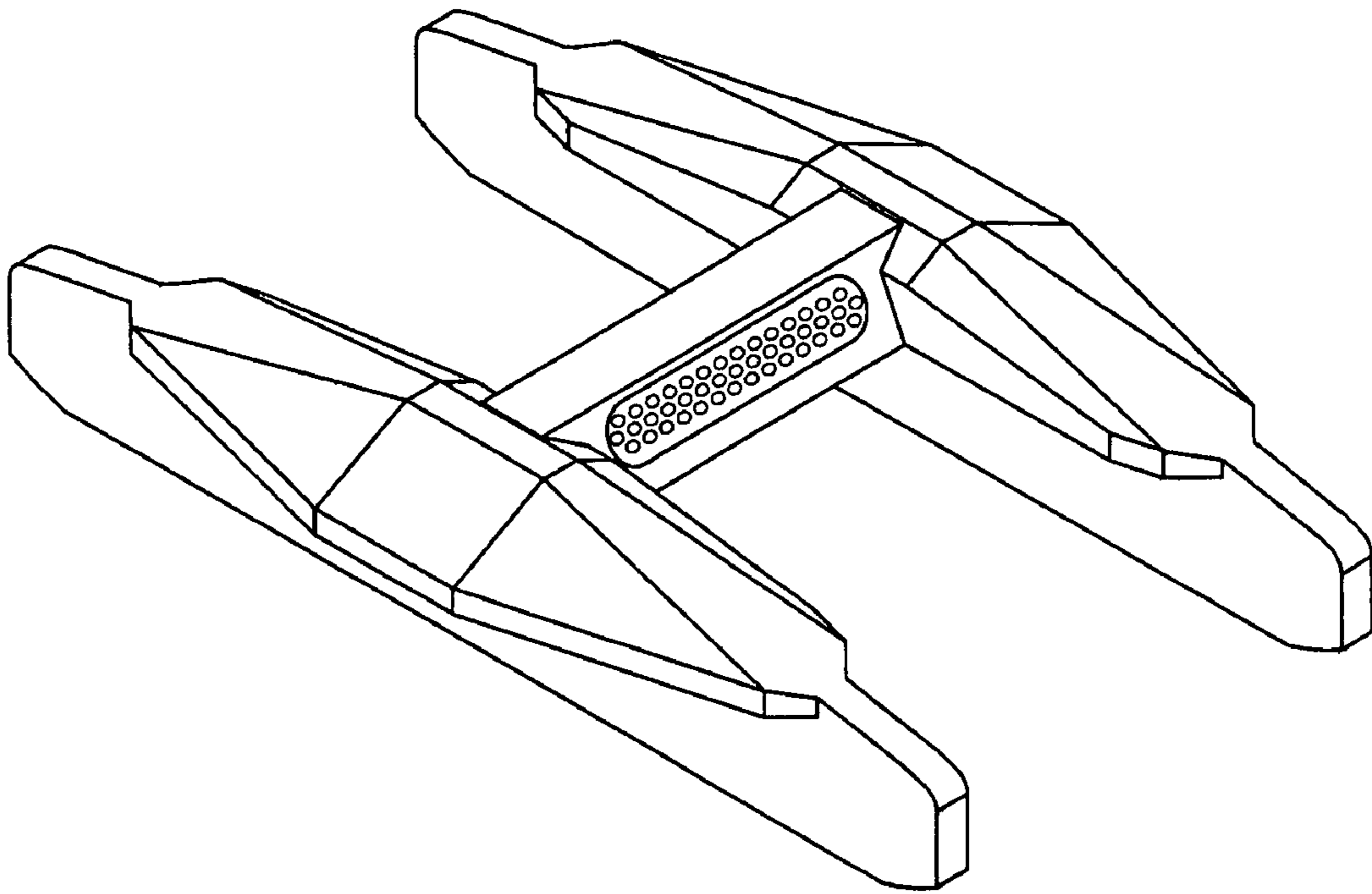


Figure 2

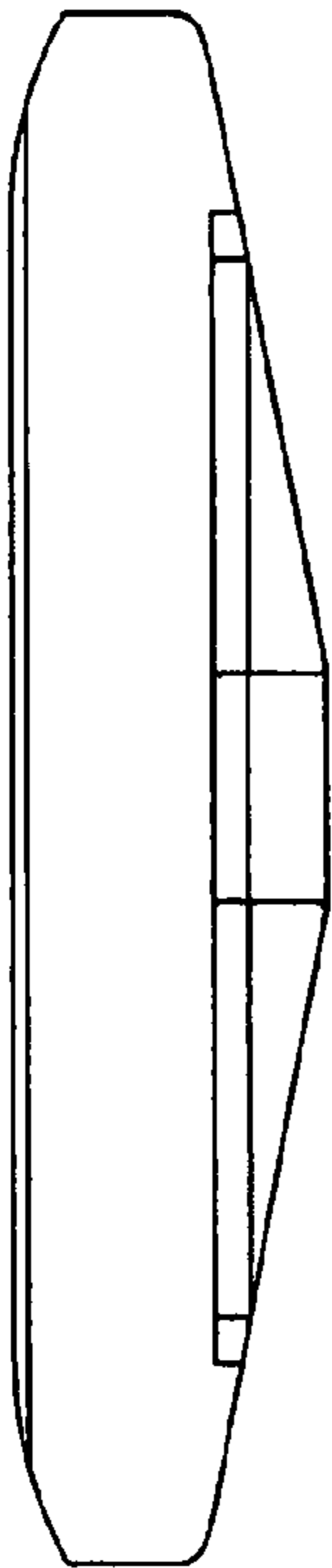


Figure 3

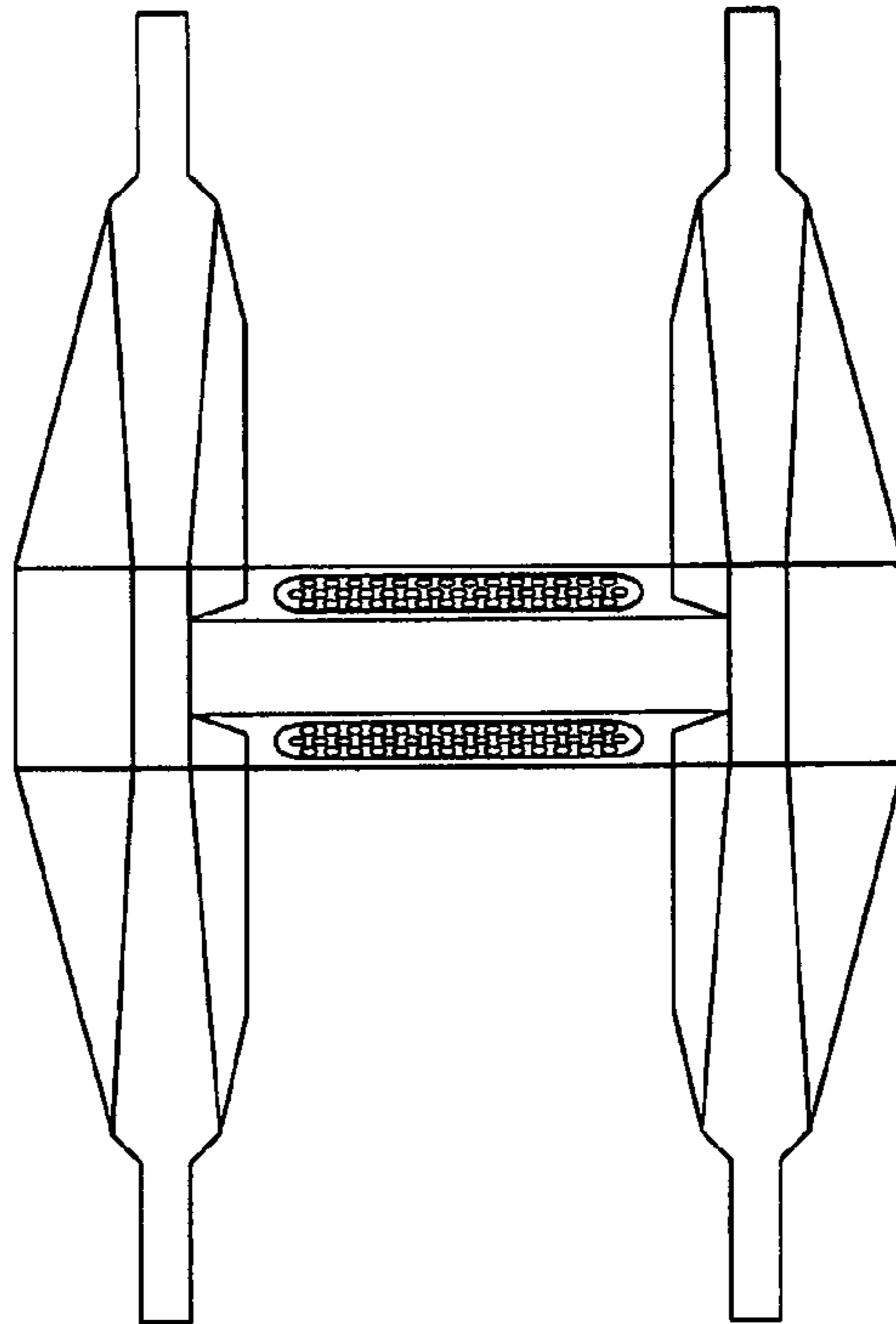


Figure 4

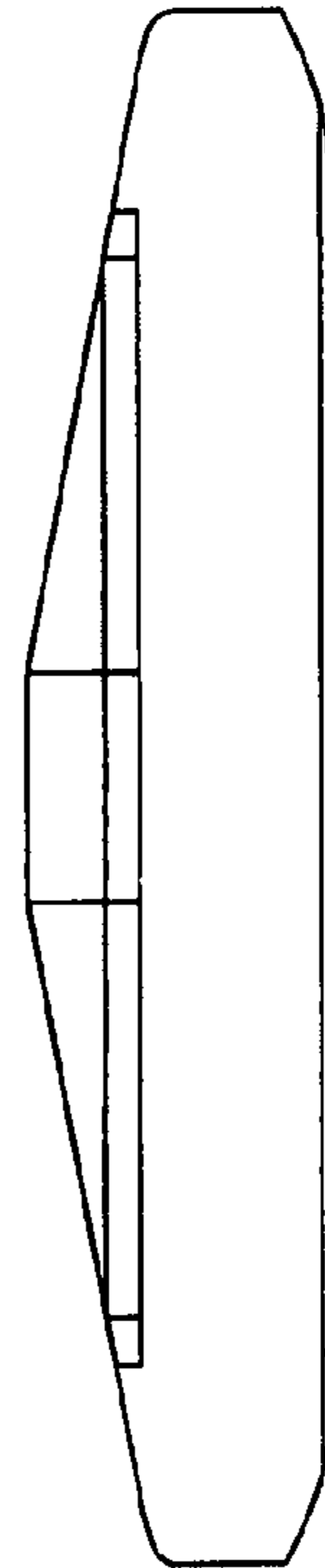


Figure 6

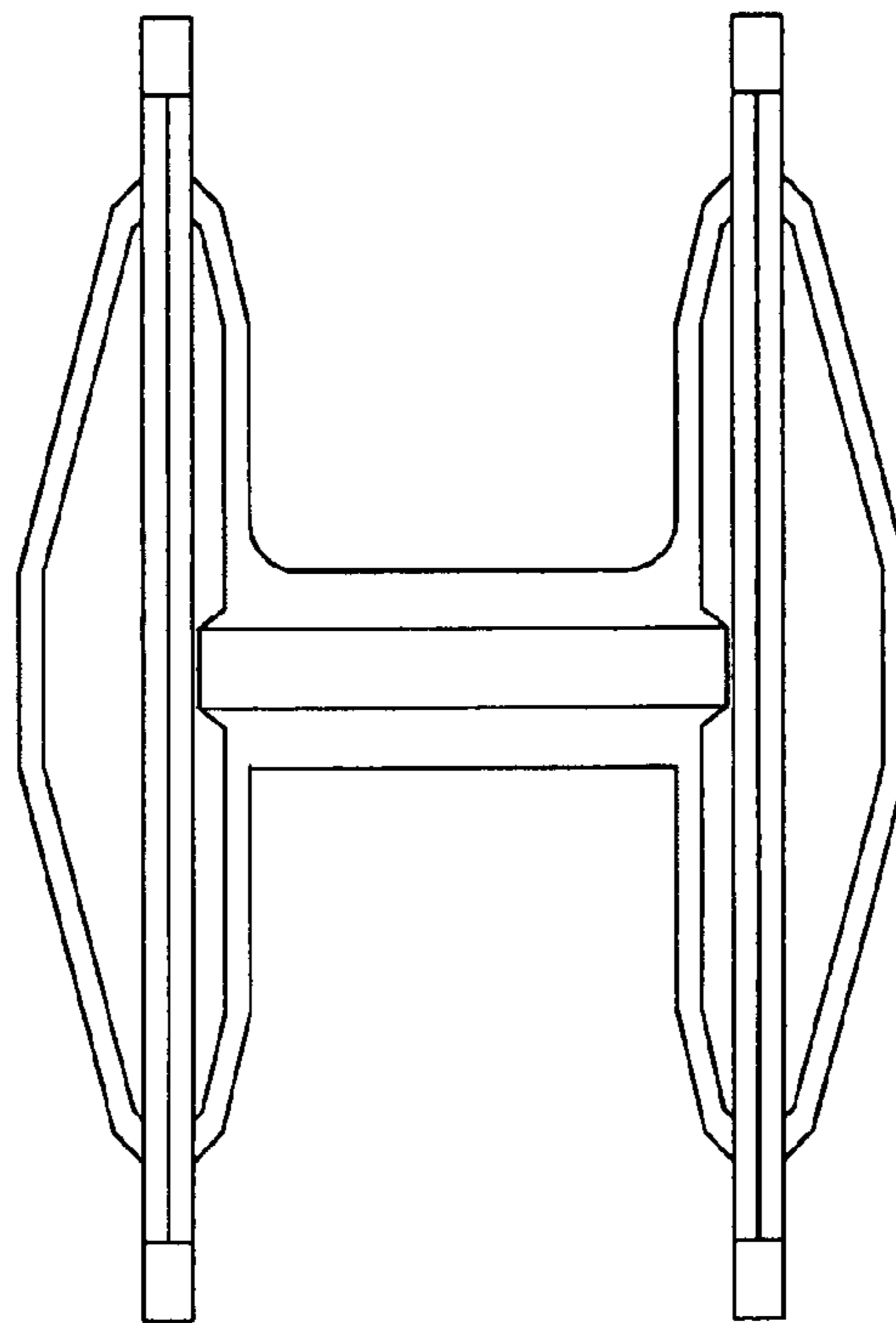


Figure 5

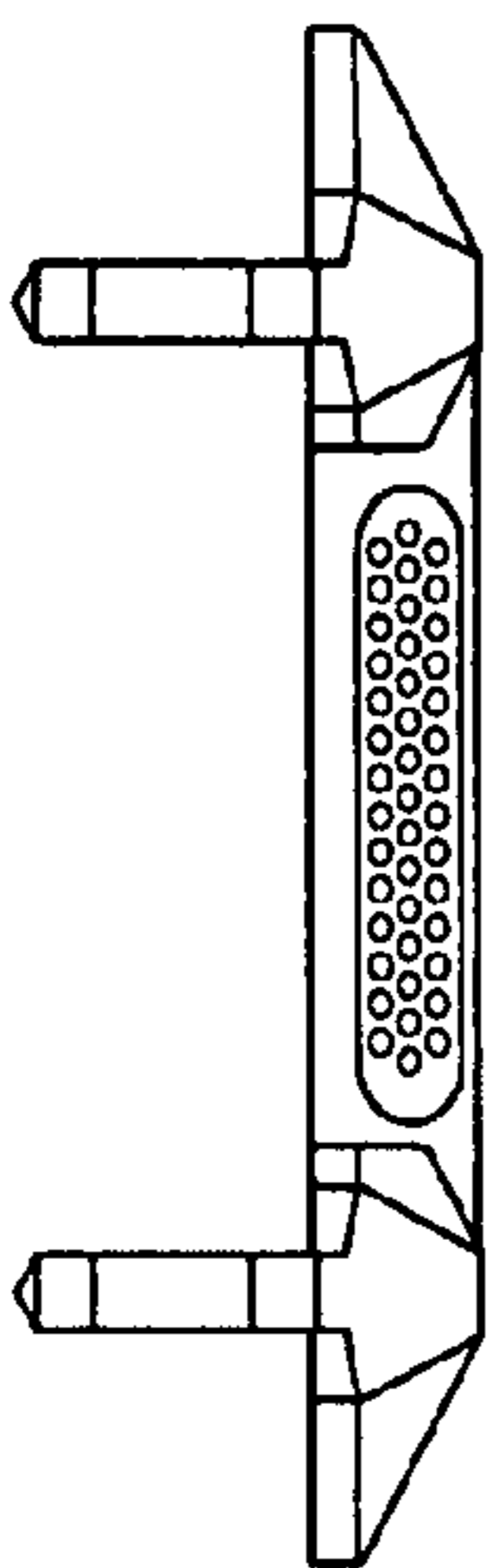


Figure 7

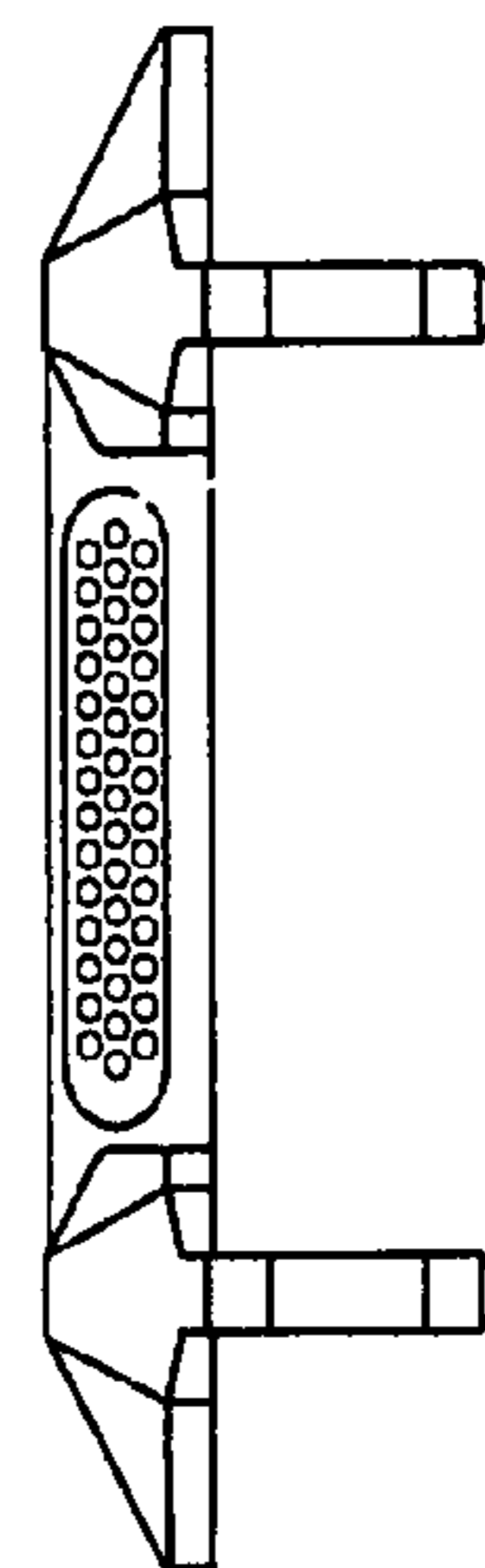


Figure 8

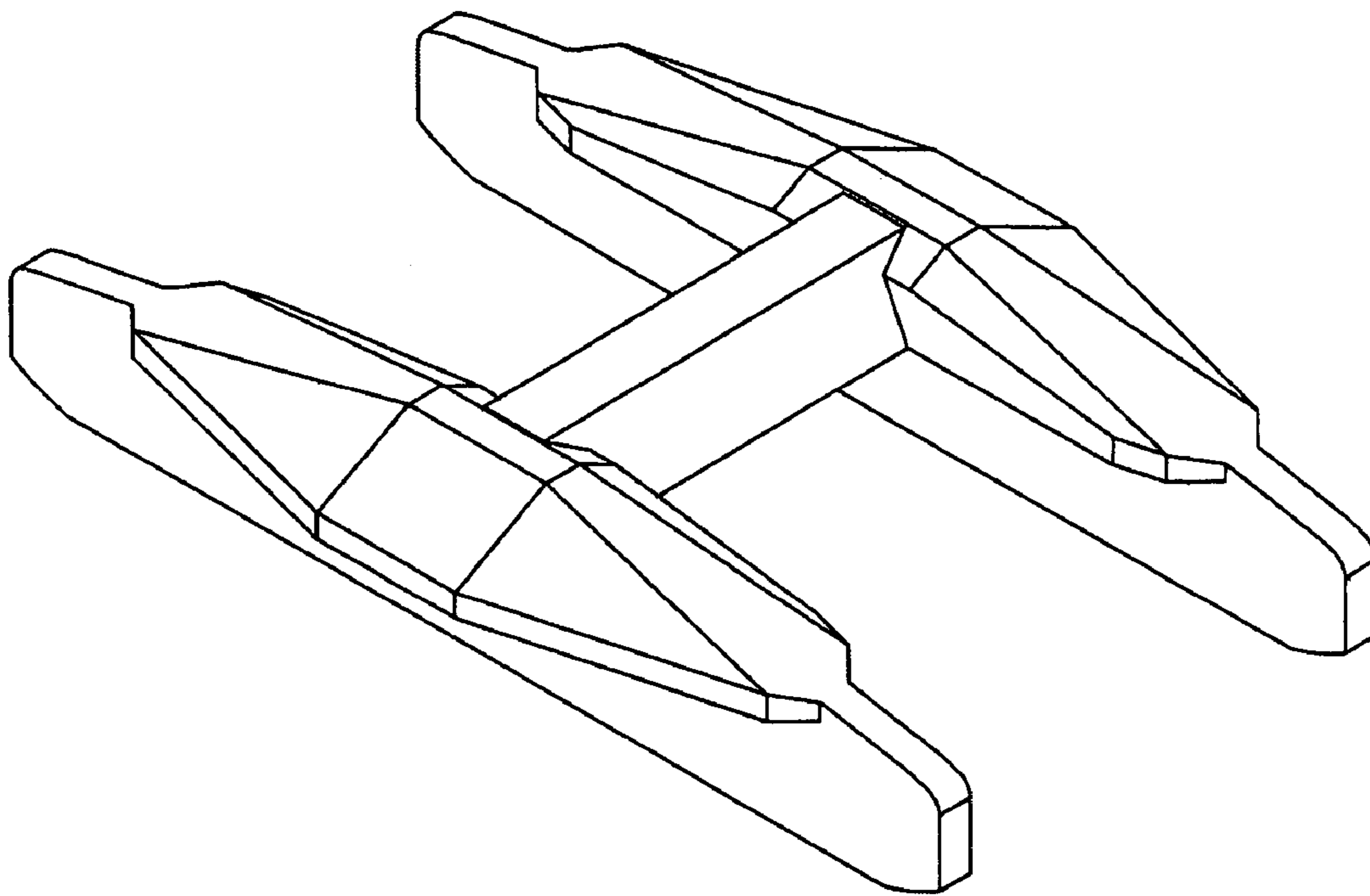




Figure 9

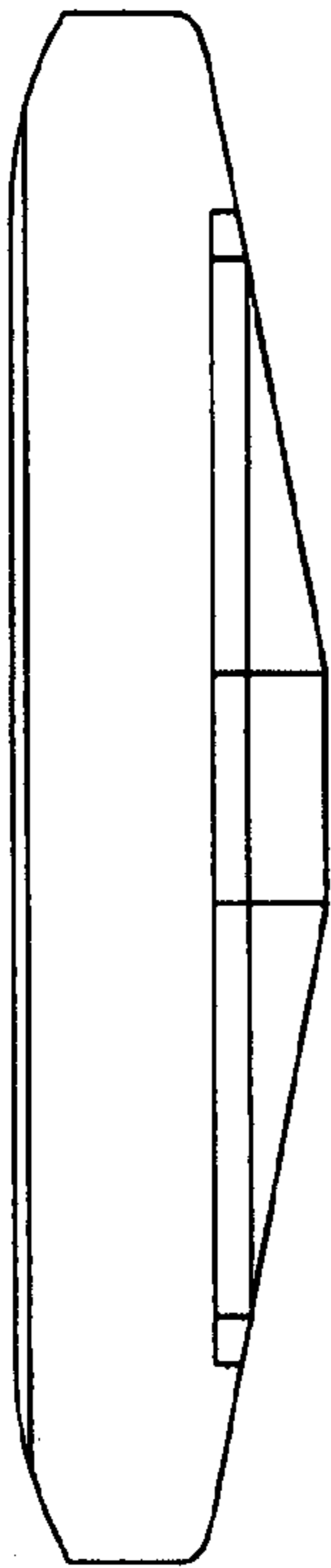


Figure 10

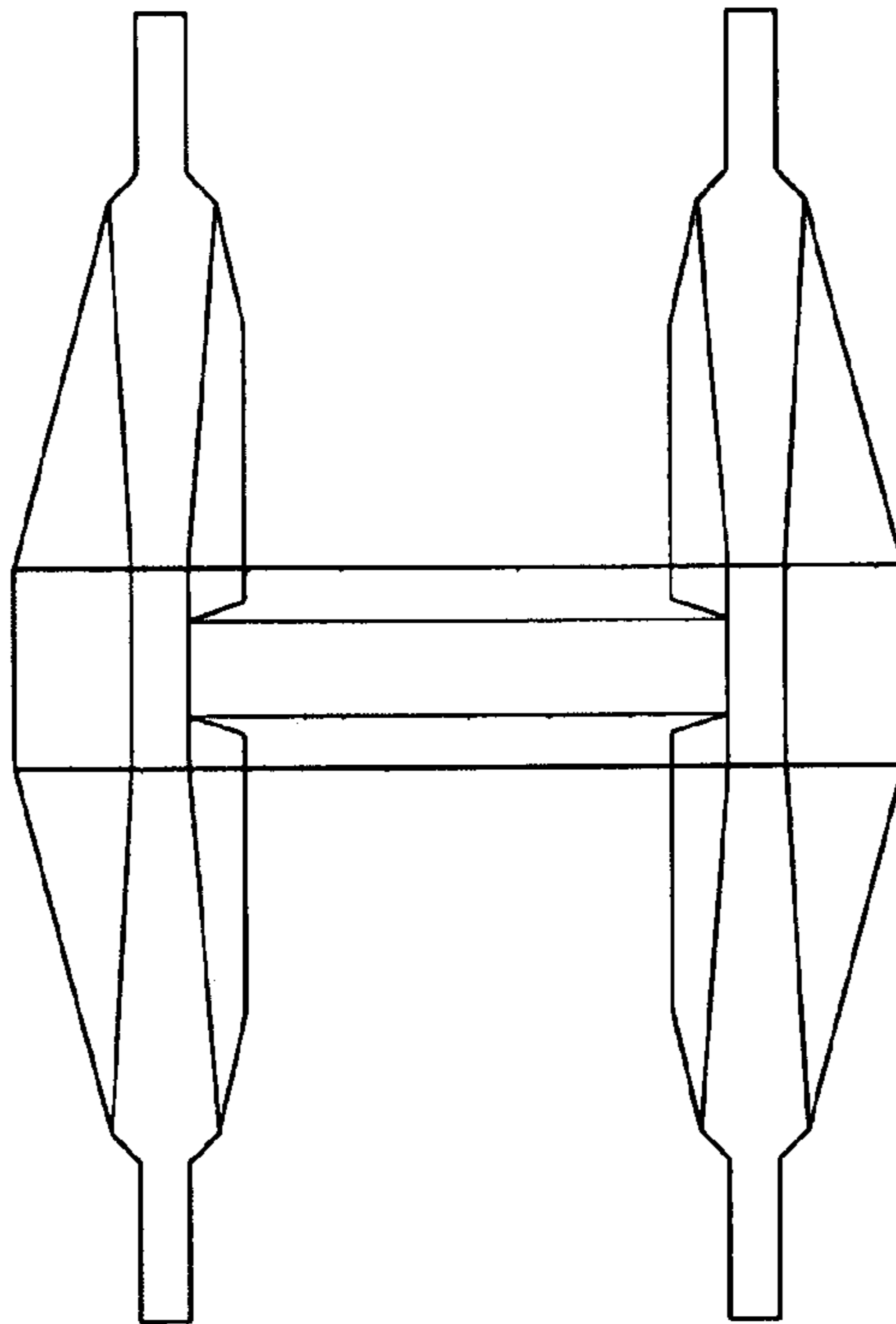


Figure 11

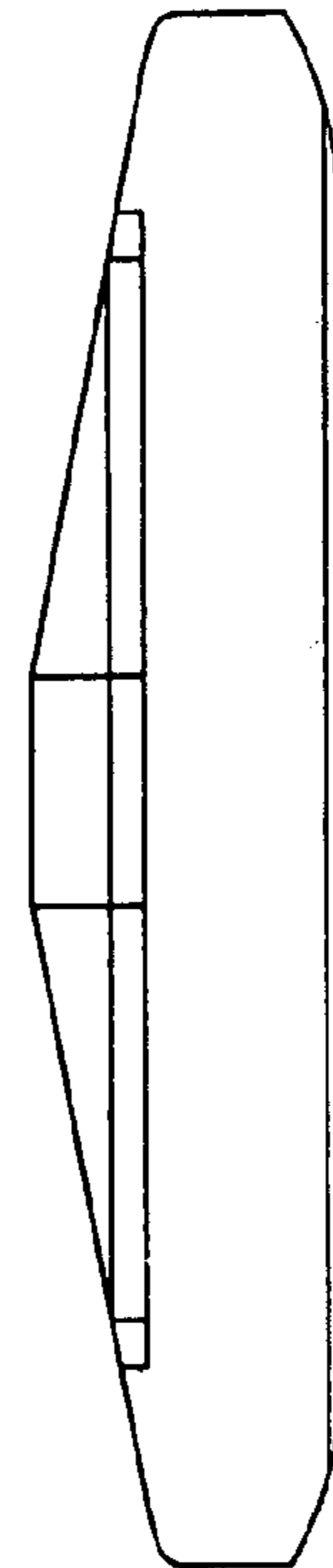


Figure 13

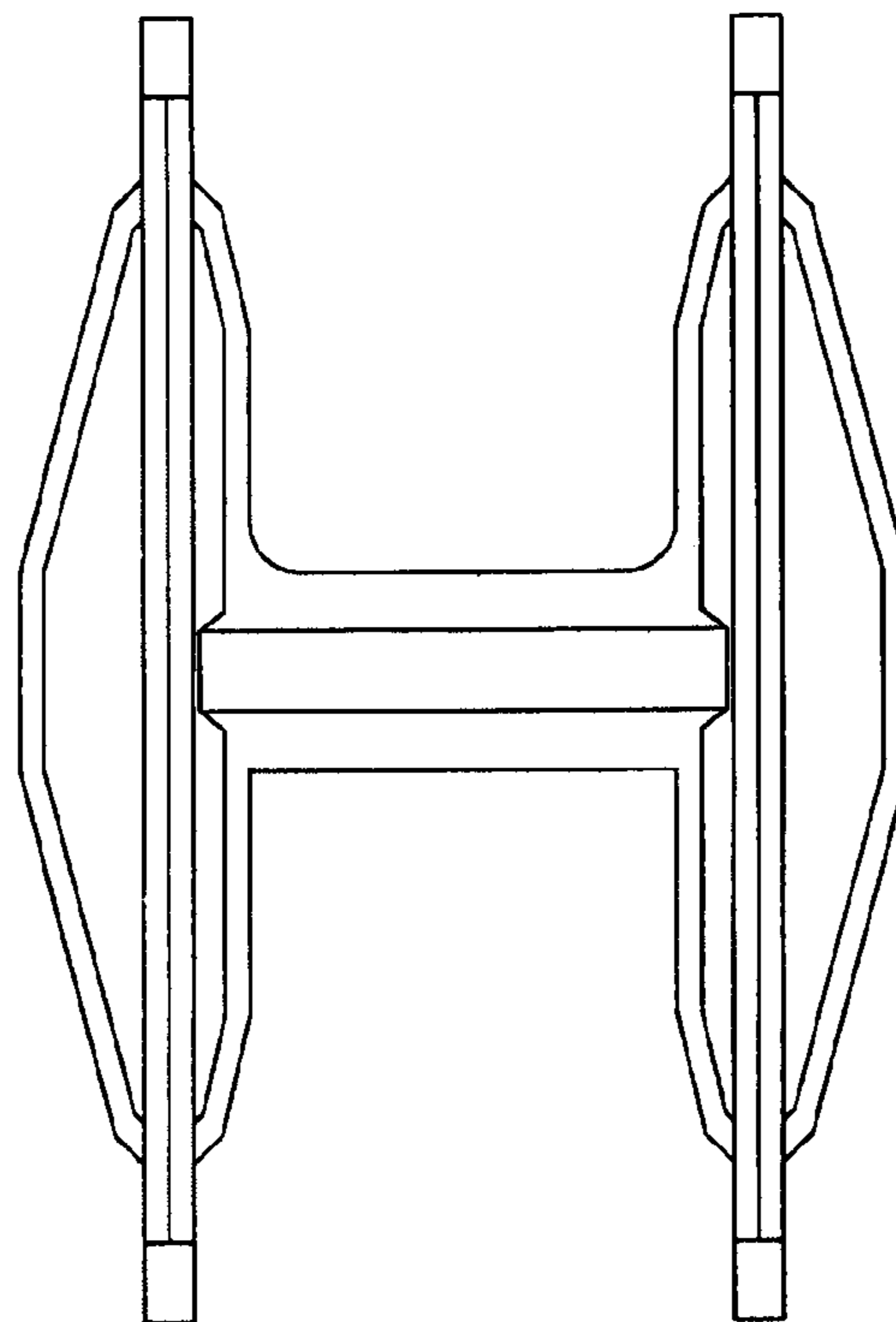


Figure 12

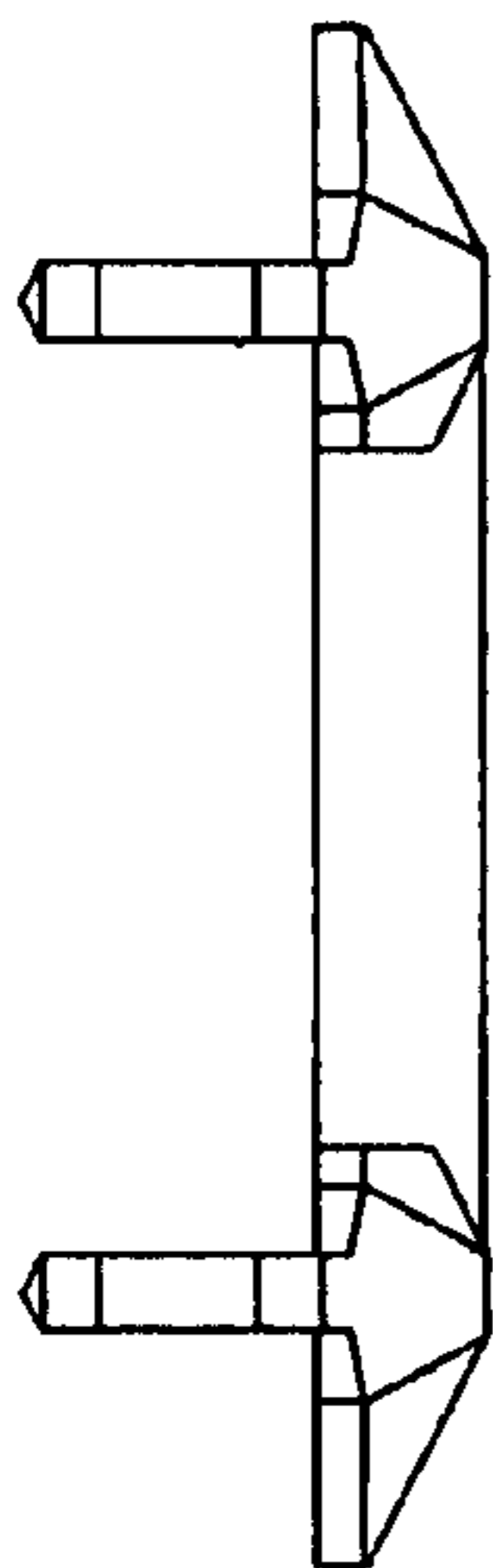


Figure 14

