

US00D565984S

(12) **United States Design Patent**  
**Lidong et al.**

(10) **Patent No.:** **US D565,984 S**  
(45) **Date of Patent:** **\*\* Apr. 8, 2008**

(54) **OCCUPANCY SENSOR**

D535,204 S \* 1/2007 Bender et al. .... D10/104  
7,319,389 B1 \* 1/2008 Mudge ..... 340/541

(76) Inventors: **Ni Lidong**, Wenzhou MTLC Electric Appliances Co., Ltd., Shangwu Industrial Zone, Qiligang, Yueqing, Wenzhou, ZH (CN) 325605; **Yu Xiang**, Wenzhou MTLC Electric Appliances Co., Ltd., Shangwu Industrial Zone, Qiligang, Yueqing, Wenzhou (CN) 325605

**OTHER PUBLICATIONS**

U.S. Appl. No. 29/283,126, Nidong Li.

\* cited by examiner

*Primary Examiner*—Antoine D Davis  
(74) *Attorney, Agent, or Firm*—Michael C. Olson, Esq.

(\*\*) **Term:** **14 Years**

(57) **CLAIM**

(21) **Appl. No.:** **29/283,138**

We claim the ornamental design for an occupancy sensor, as shown and described..

(22) **Filed:** **Aug. 7, 2007**

**DESCRIPTION**

(51) **LOC (8) Cl.** ..... **10-05**

FIG. 1 depicts a front view of an occupancy sensor depicting our new design.

(52) **U.S. Cl.** ..... **D10/104**

FIG. 2 depicts a left view of an occupancy sensor depicting our new design.

(58) **Field of Classification Search** ..... D10/70,  
D10/104; 307/117; 340/540, 541, 565;  
361/157, 160, 168, 178

FIG. 3 depicts a right view of an occupancy sensor depicting our new design.

See application file for complete search history.

FIG. 4 depicts a top view of an occupancy sensor depicting our new design.

(56) **References Cited**

**U.S. PATENT DOCUMENTS**

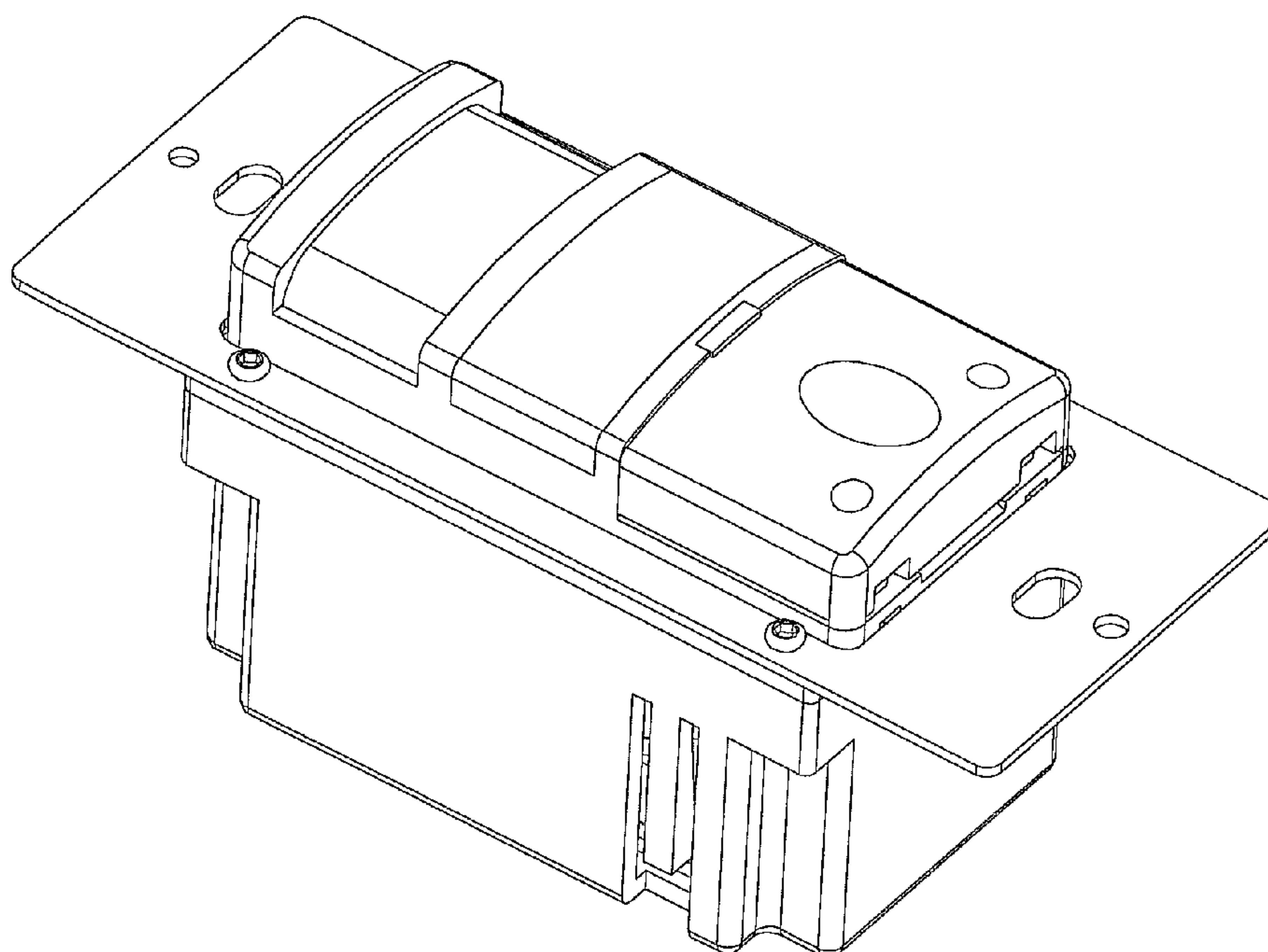
5,739,753 A \* 4/1998 Porter ..... 340/555  
D430,055 S \* 8/2000 Aiello et al. .... D10/106  
D430,056 S \* 8/2000 Aiello et al. .... D10/106  
D435,798 S \* 1/2001 Aiello et al. .... D10/104  
D439,853 S \* 4/2001 Aiello et al. .... D10/104  
D472,486 S \* 4/2003 Eckel et al. .... D10/104  
6,697,757 B2 \* 2/2004 Eckel et al. .... 702/130  
6,798,341 B1 \* 9/2004 Eckel et al. .... 340/521  
6,850,159 B1 \* 2/2005 Mudge ..... 340/541

FIG. 5 depicts a bottom view of an occupancy sensor depicting our new design.

FIG. 6 depicts a back view of an occupancy sensor depicting our new design; and,

FIG. 7 depicts a trimetric view of an occupancy sensor depicting our new design.

**1 Claim, 7 Drawing Sheets**



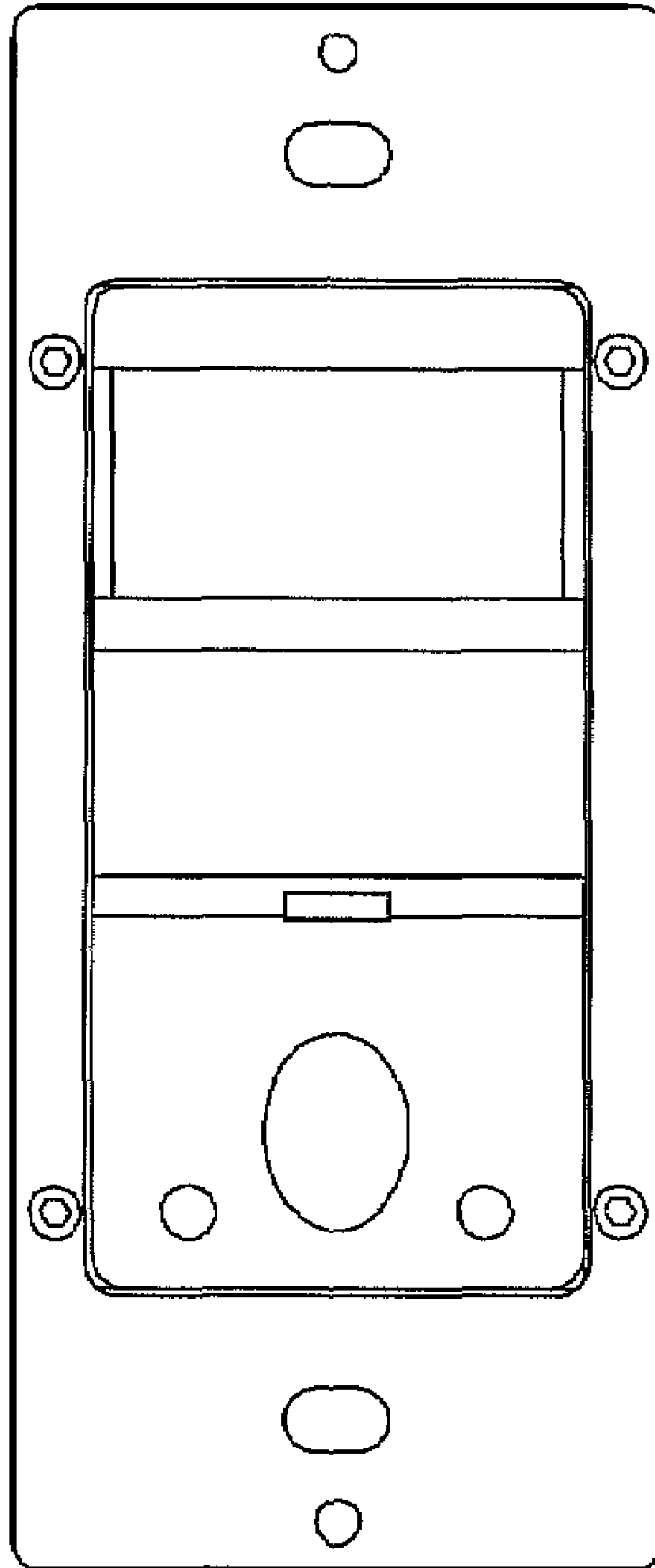


Figure 1

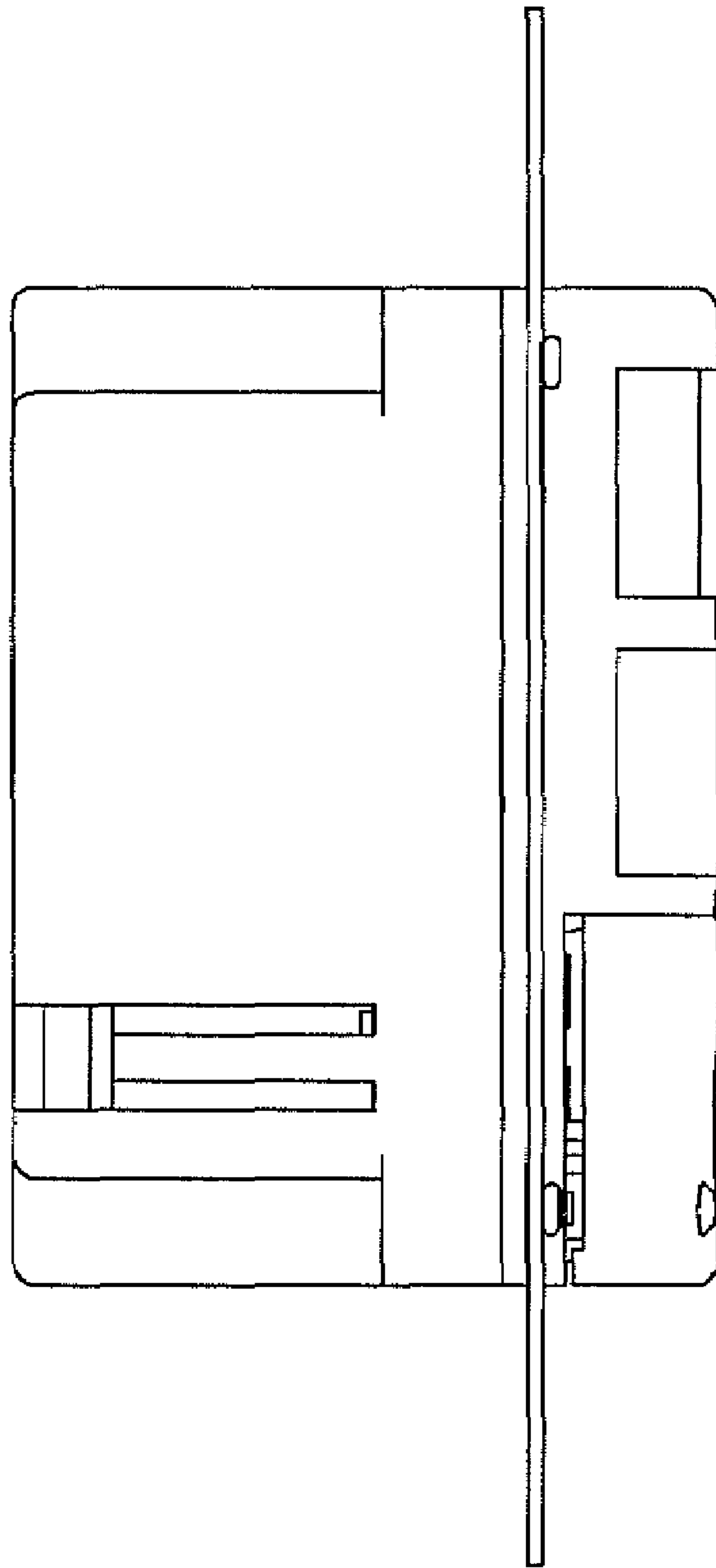


Figure 2

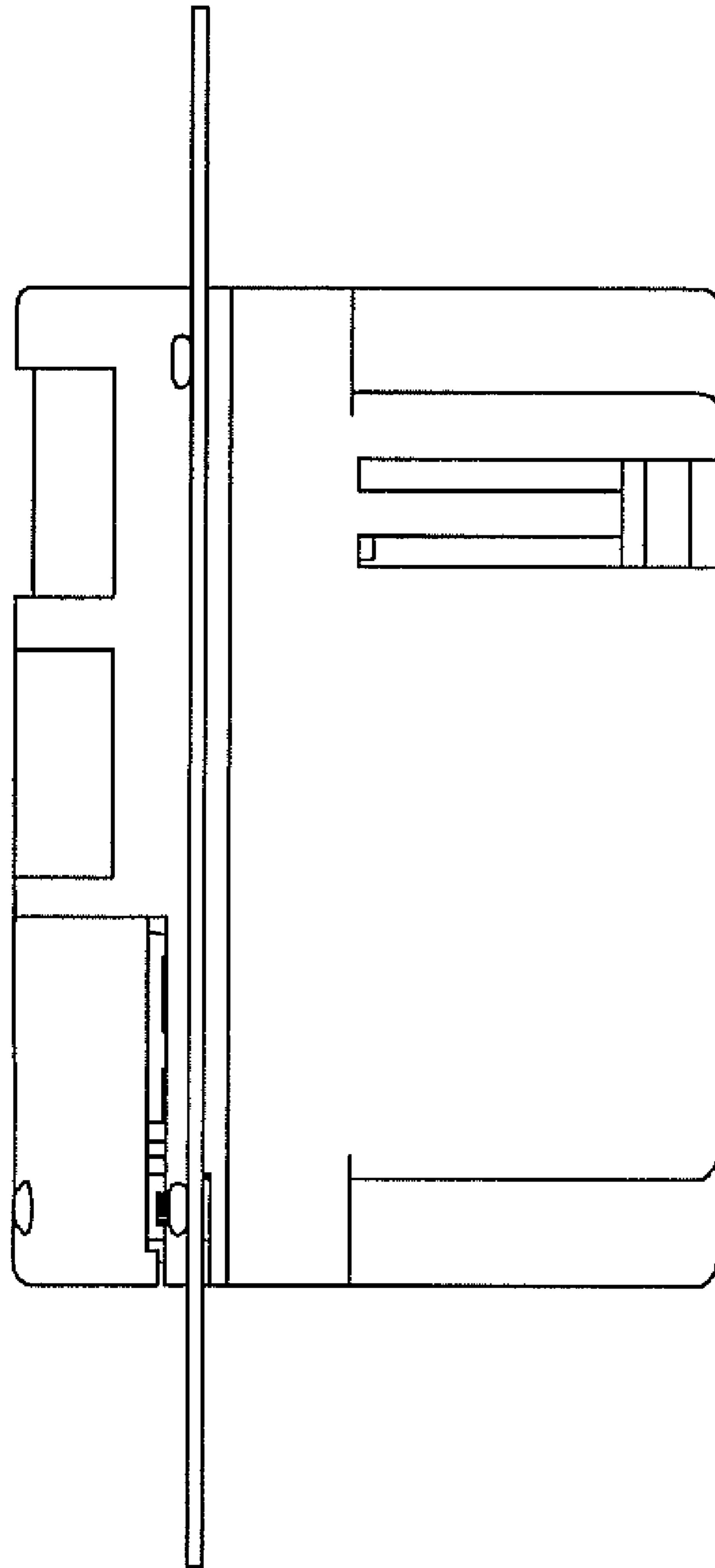


Figure 3

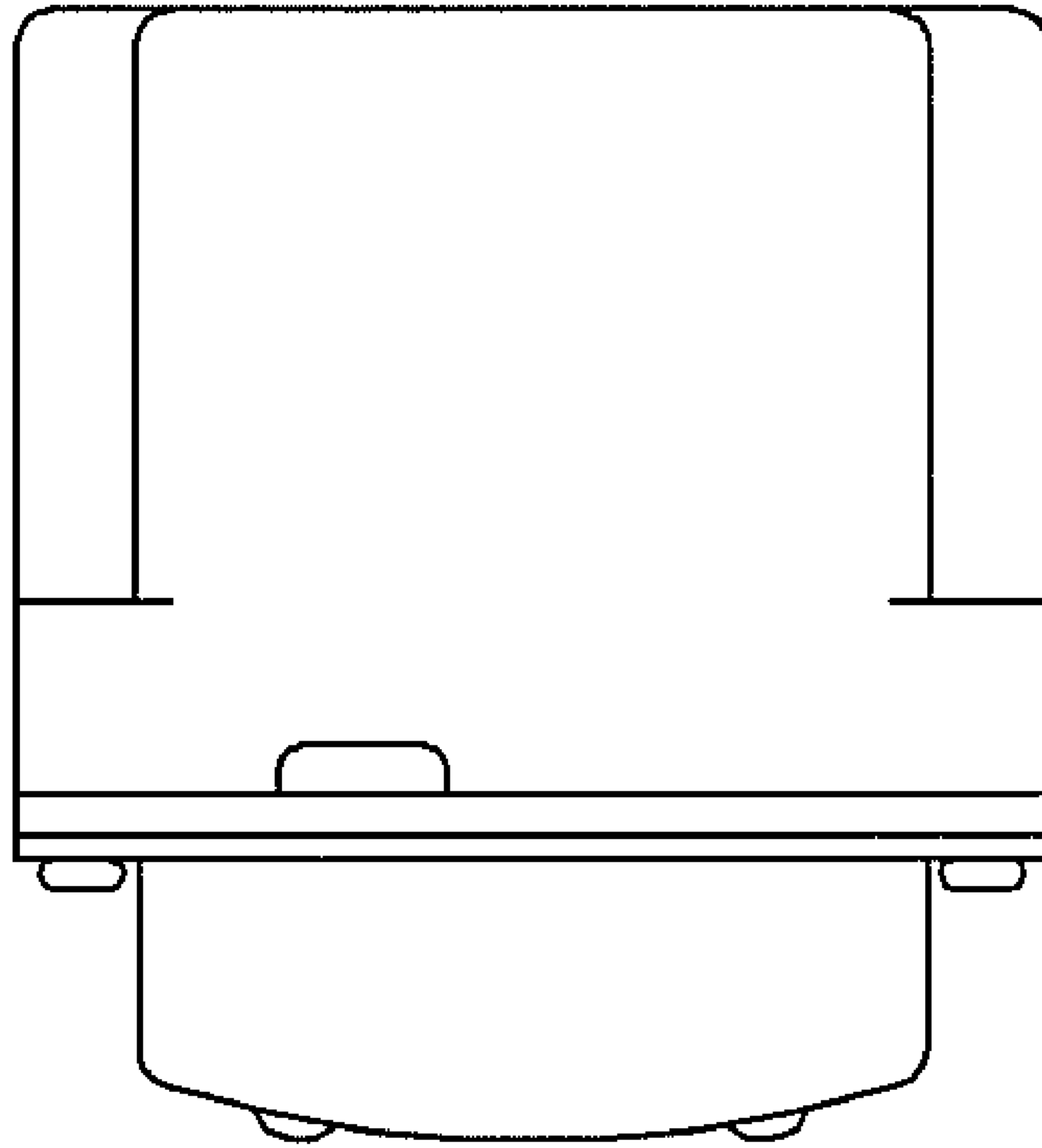


Figure 4

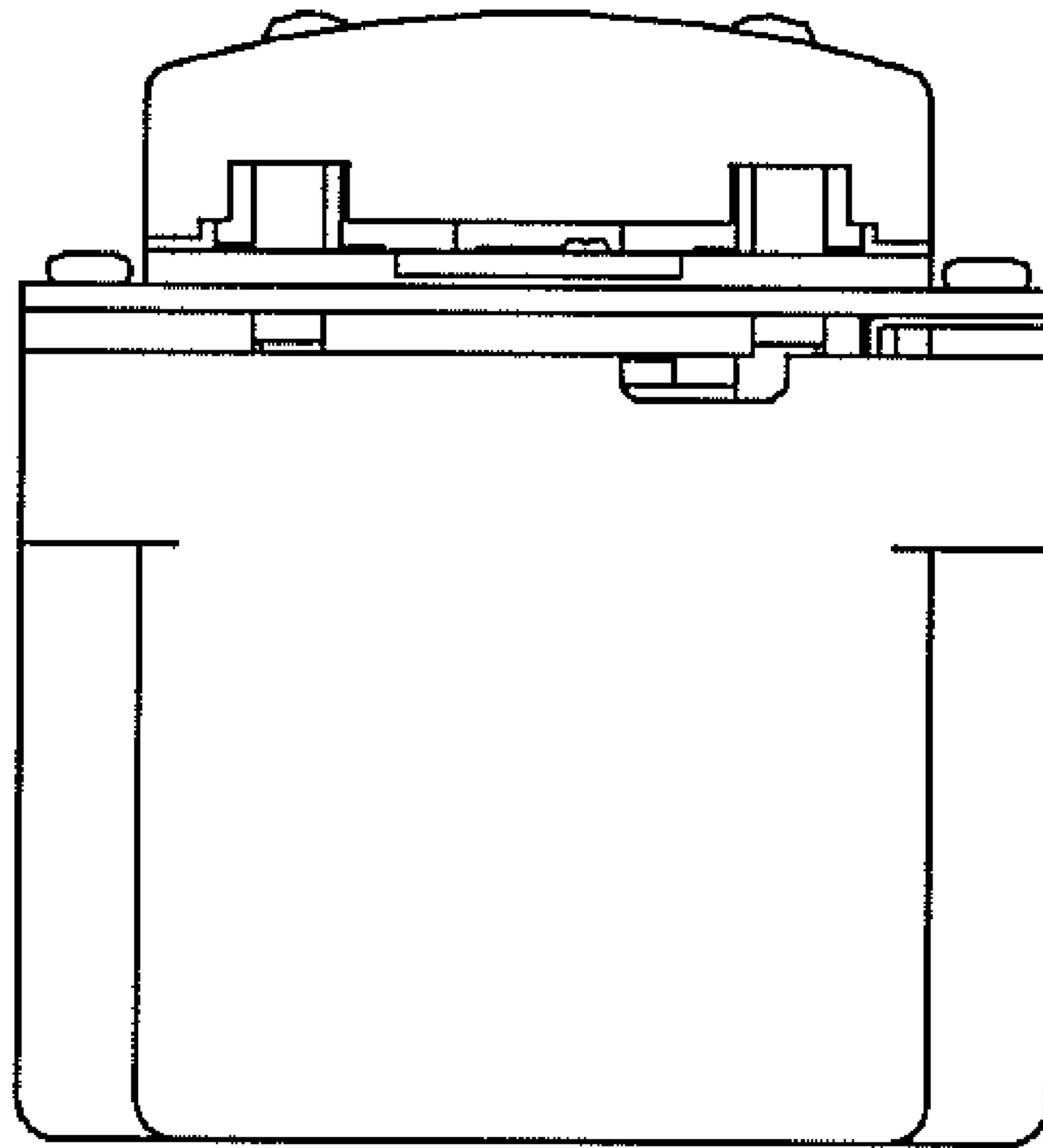


Figure 5

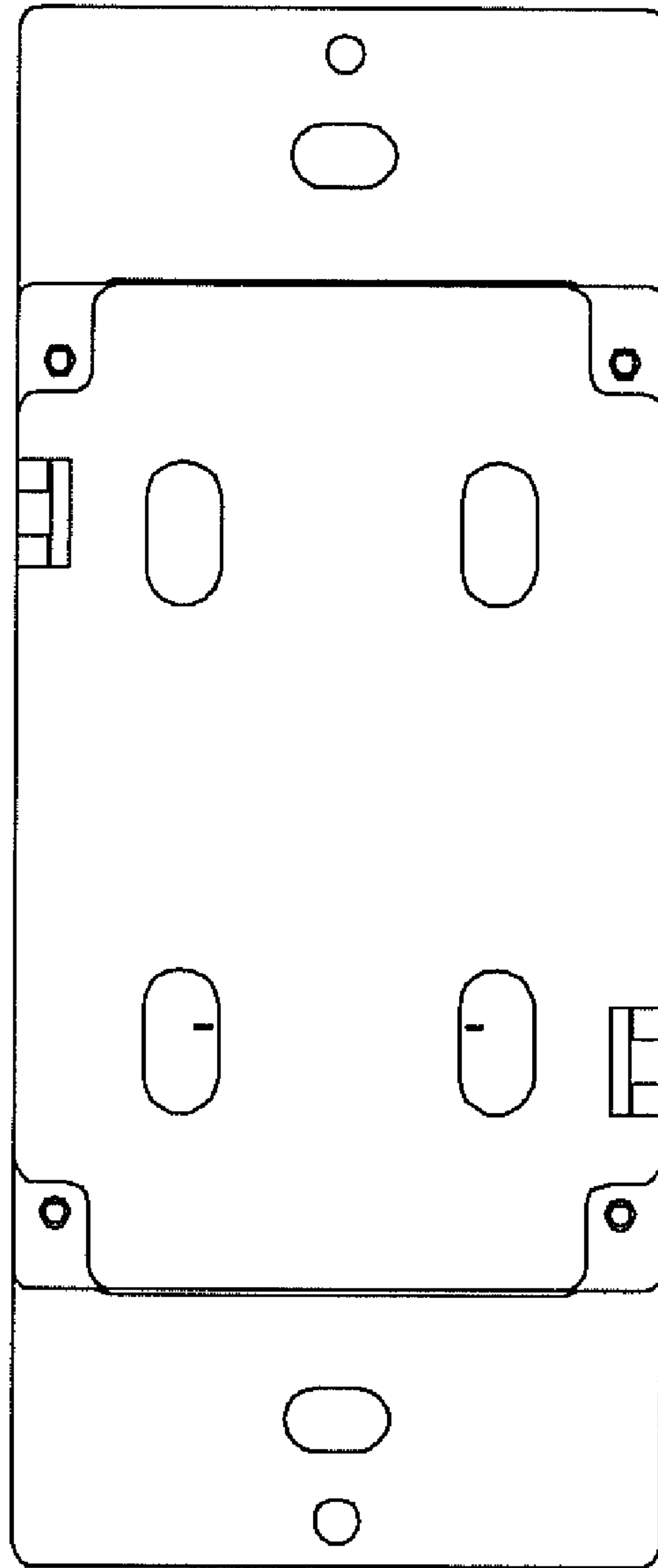


Figure 6

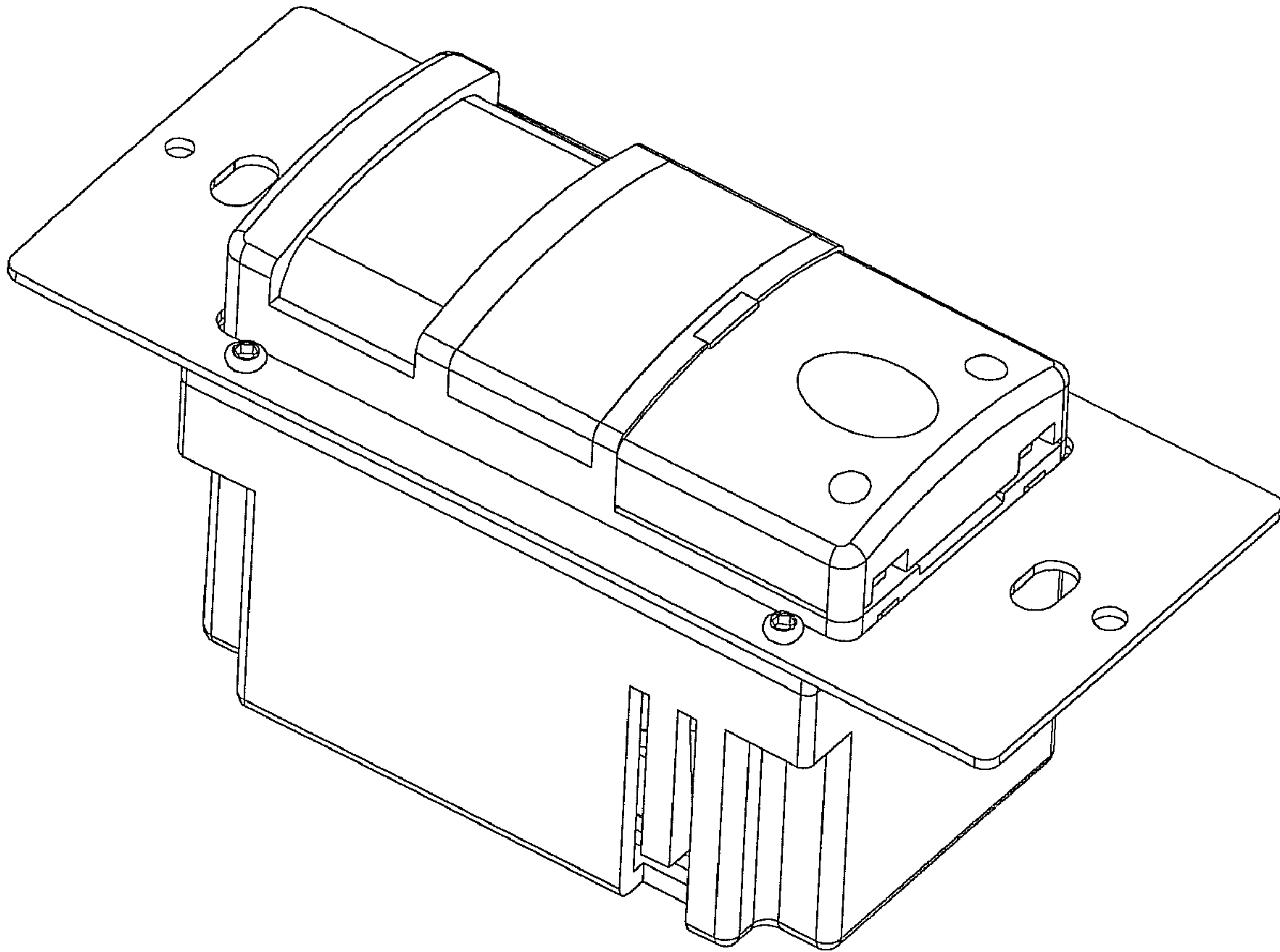


Figure 7