



US00D565983S

(12) **United States Design Patent**
Ni et al.

(10) **Patent No.: US D565,983 S**

(45) **Date of Patent: ** Apr. 8, 2008**

(54) **OCCUPANCY SENSOR**

D535,204 S * 1/2007 Bender et al. D10/104
7,319,389 B1 * 1/2008 Mudge 340/541

(76) Inventors: **Lidong Ni**, c/o Wenzhou MTL
Electric Appliances Co., Ltd., Shangwu
Industrial Zone, Qiligang, Yueqing,
Wenzhou, ZH (CN) 325605; **Xiang Yu**,
c/o Wenzhou MTL Electric Appliances
Co., Ltd., Shangwu Industrial Zone,
Qiligang, Yueqing, Wenzhou (CN)
325605

OTHER PUBLICATIONS

U.S. Appl. No. 29/283,138, Nidong Li.

* cited by examiner

Primary Examiner—Antoine D Davis

(74) *Attorney, Agent, or Firm*—Michael C. Olson, Esq.

(**) Term: **14 Years**

(57) **CLAIM**

(21) Appl. No.: **29/283,126**

We claim the ornamental design for an occupancy sensor, as shown and described.

(22) Filed: **Aug. 7, 2007**

DESCRIPTION

(51) **LOC (8) Cl.** **10-05**

FIG. 1 depicts a front view of an occupancy sensor depicting our new design.

(52) **U.S. Cl.** **D10/104**

FIG. 2 depicts a left view of an occupancy sensor depicting our new design.

(58) **Field of Classification Search** D10/70,
D10/104; 307/117; 340/540, 541, 565;
361/157, 160, 168, 178

FIG. 3 depicts a right view of an occupancy sensor depicting our new design.

See application file for complete search history.

FIG. 4 depicts a top view of an occupancy sensor depicting our new design.

(56) **References Cited**

U.S. PATENT DOCUMENTS

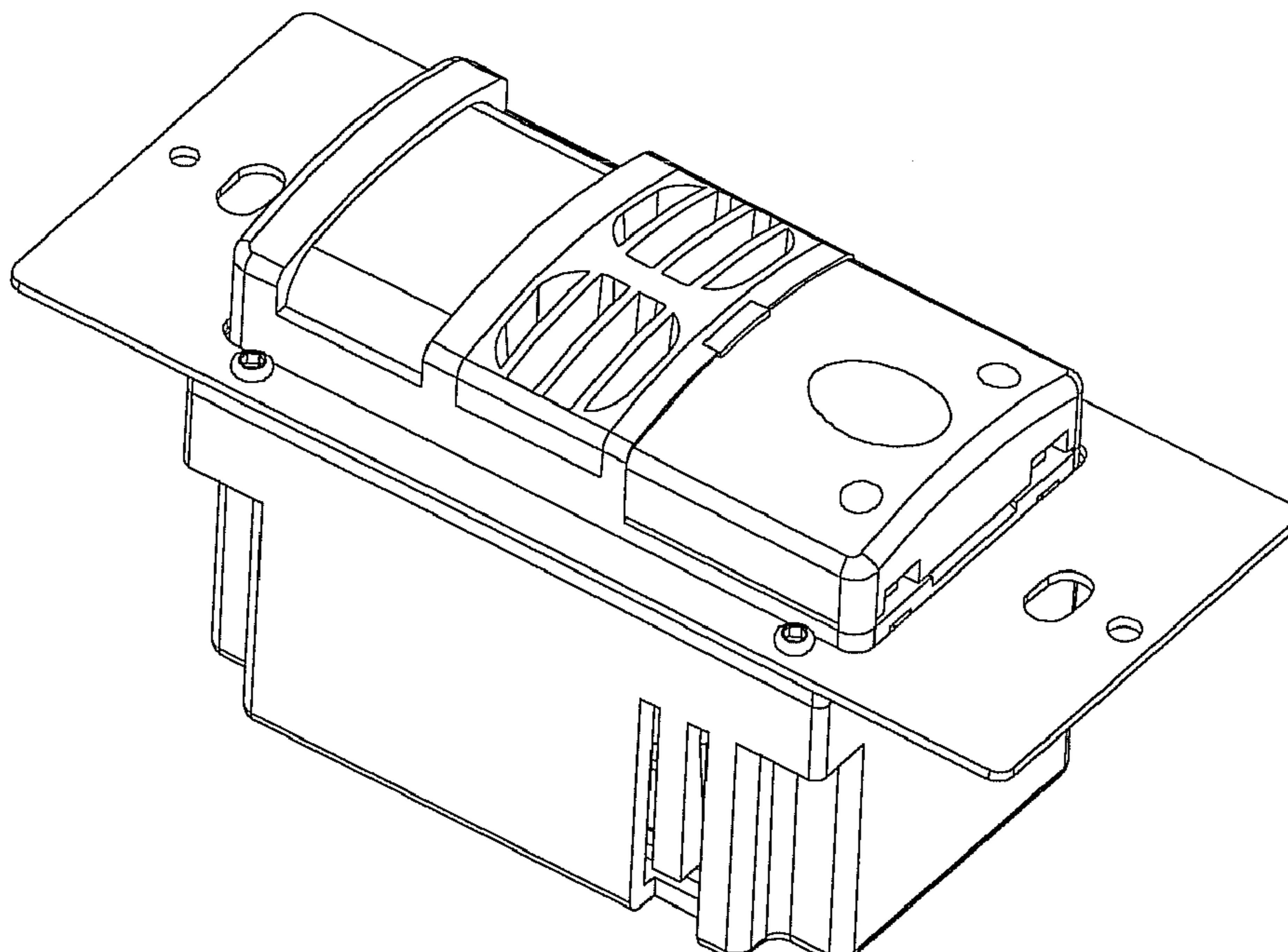
5,739,753 A * 4/1998 Porter 340/555
D430,055 S * 8/2000 Aiello et al. D10/106
D430,056 S * 8/2000 Aiello et al. D10/106
D435,798 S * 1/2001 Aiello et al. D10/104
D439,853 S * 4/2001 Aiello et al. D10/104
D472,486 S * 4/2003 Eckel et al. D10/104
6,697,757 B2 * 2/2004 Eckel et al. 702/130
6,798,341 B1 * 9/2004 Eckel et al. 340/521
6,850,159 B1 * 2/2005 Mudge 340/541

FIG. 5 depicts a bottom view of an occupancy sensor depicting our new design.

FIG. 6 depicts a back view of an occupancy sensor depicting our new design; and,

FIG. 7 depicts a trimetric view of an occupancy sensor depicting our new design.

1 Claim, 7 Drawing Sheets



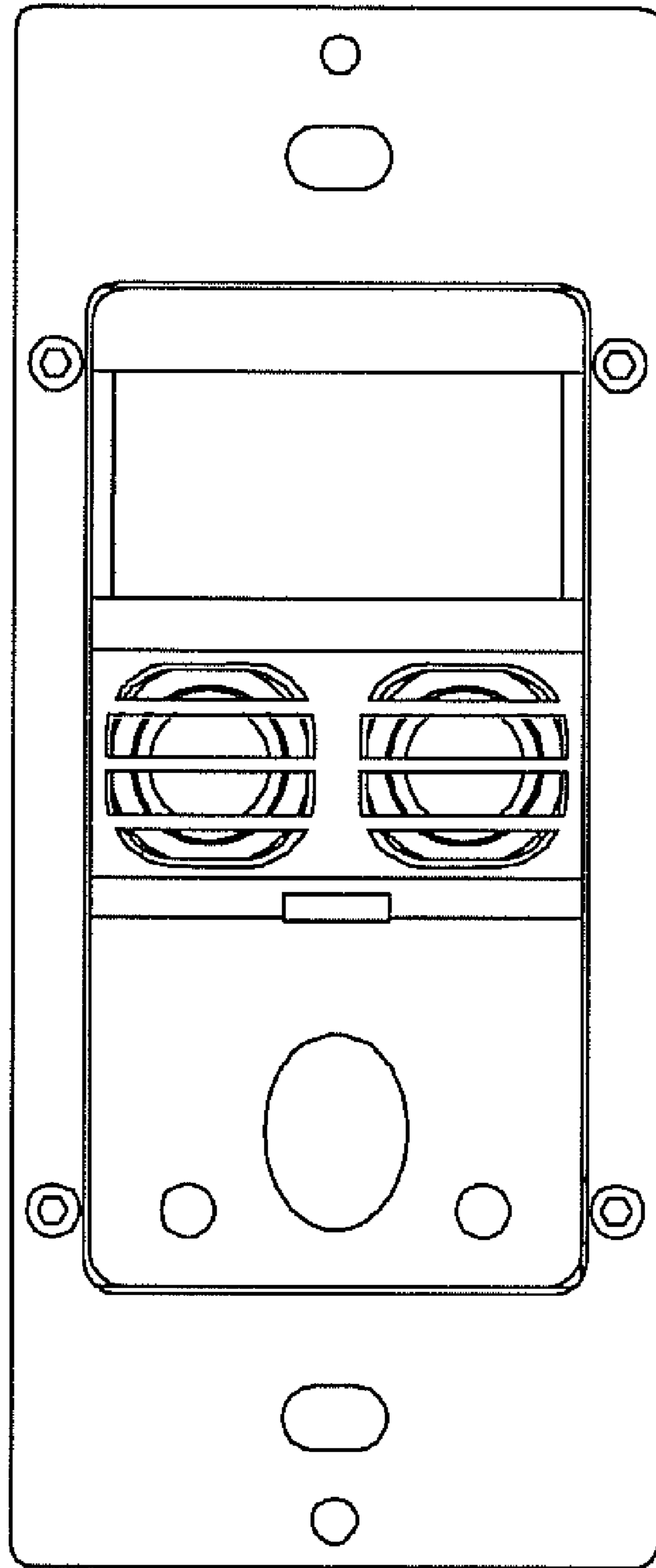


Figure 1

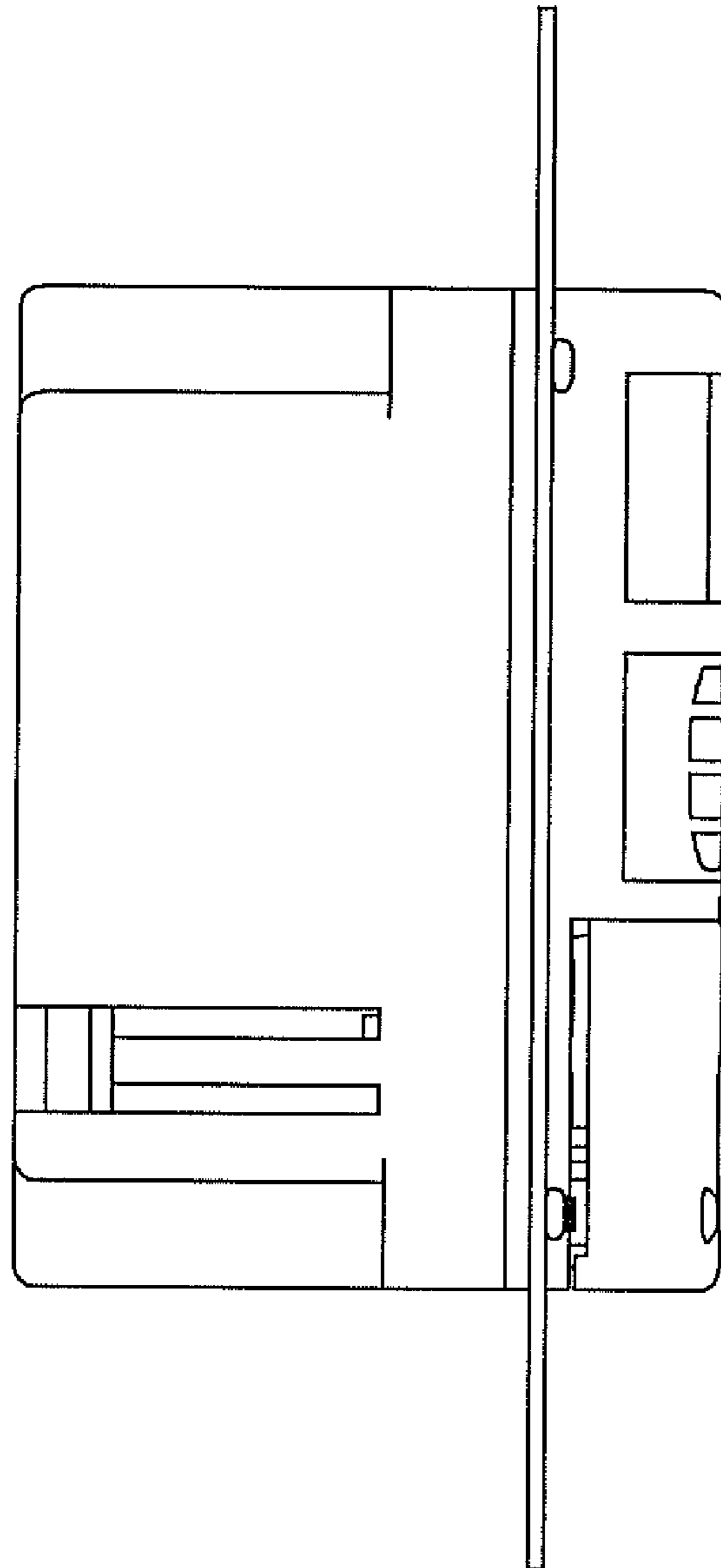


Figure 2

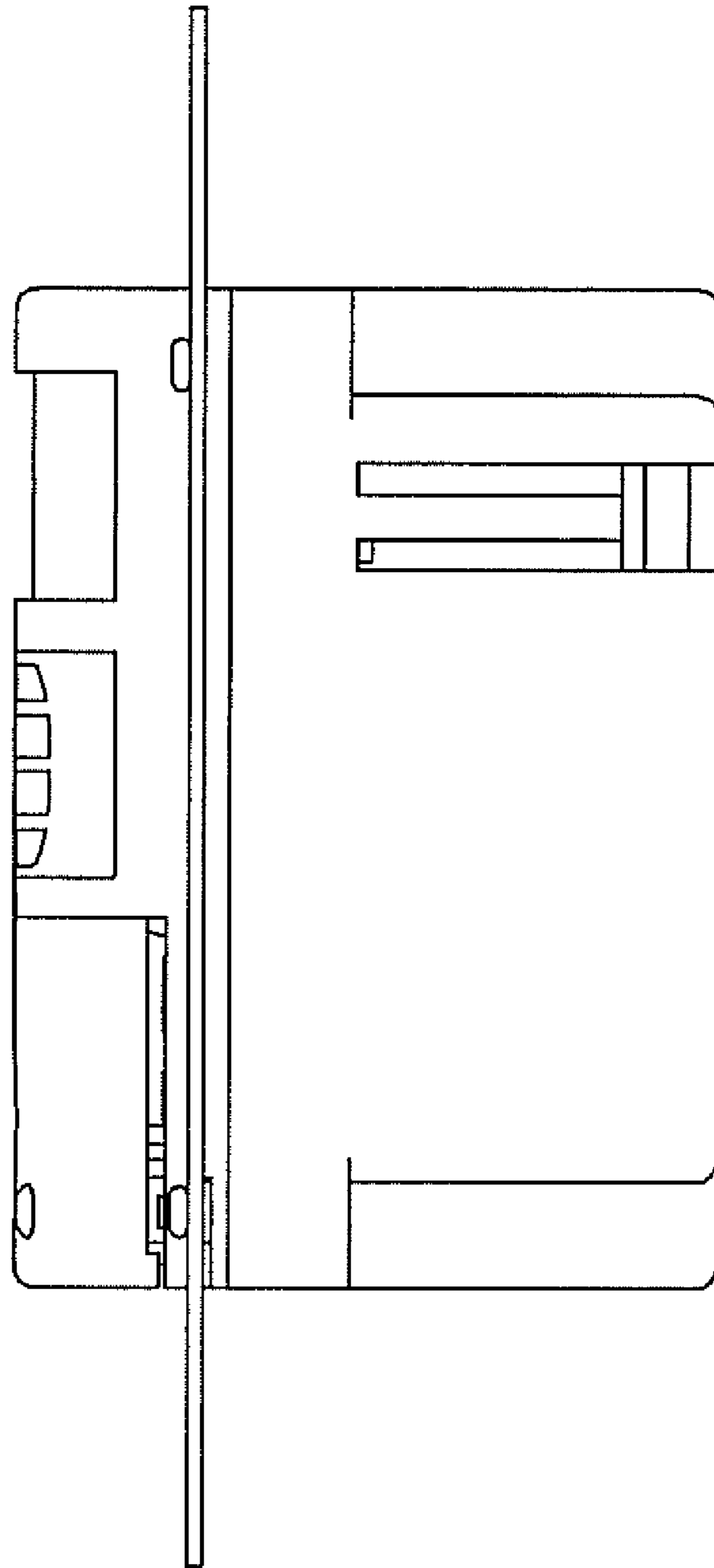


Figure 3

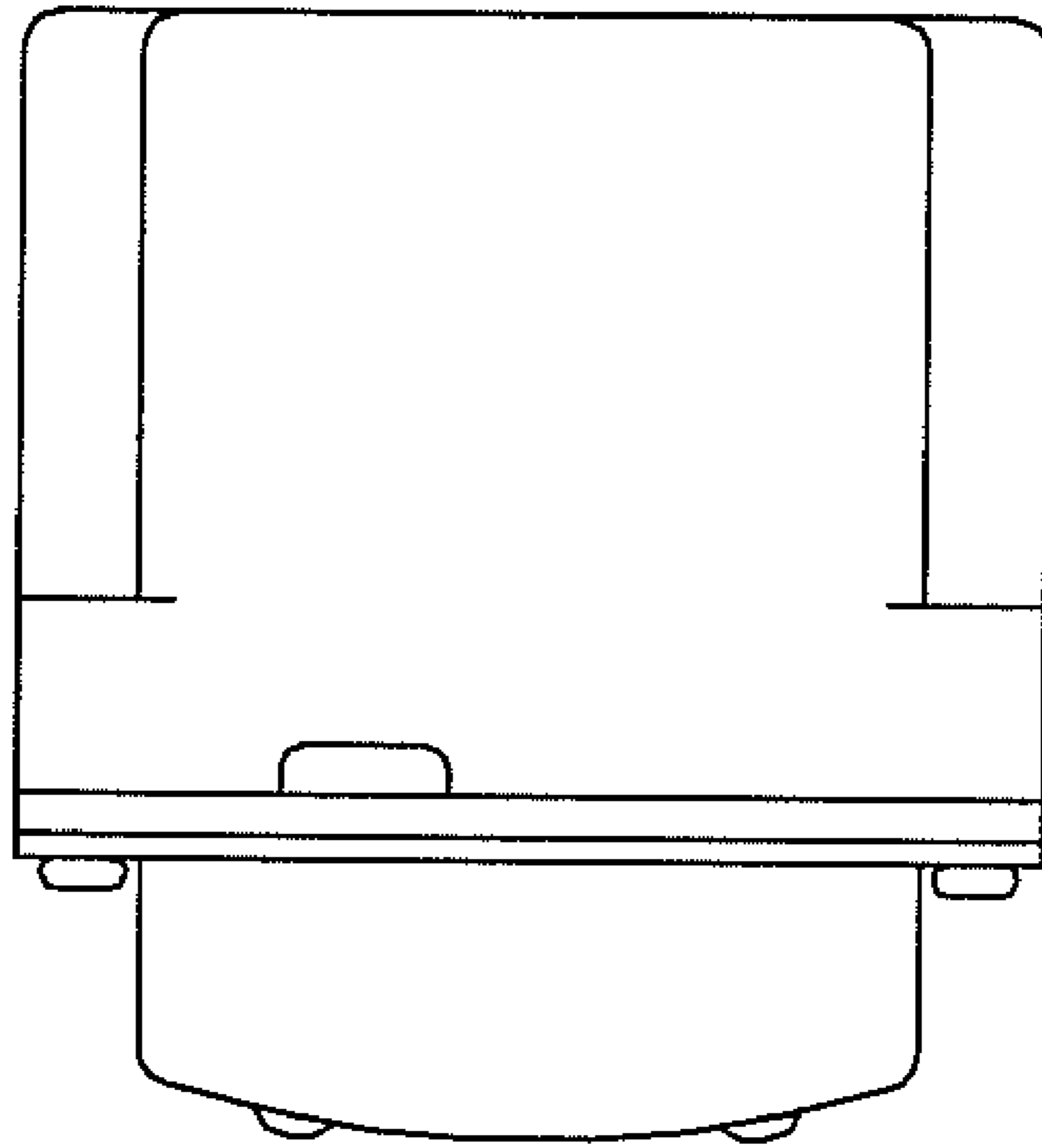


Figure 4

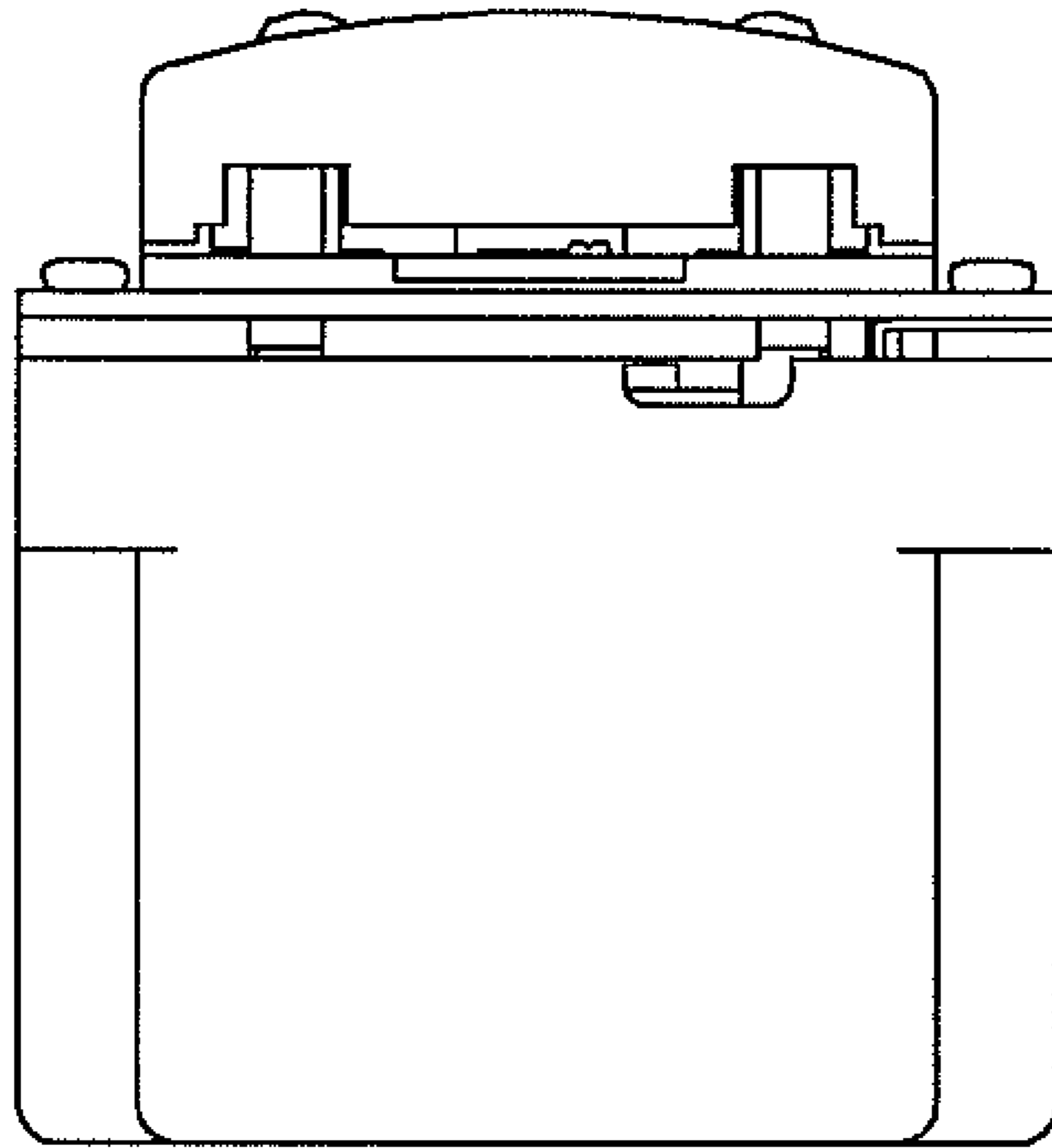


Figure 5

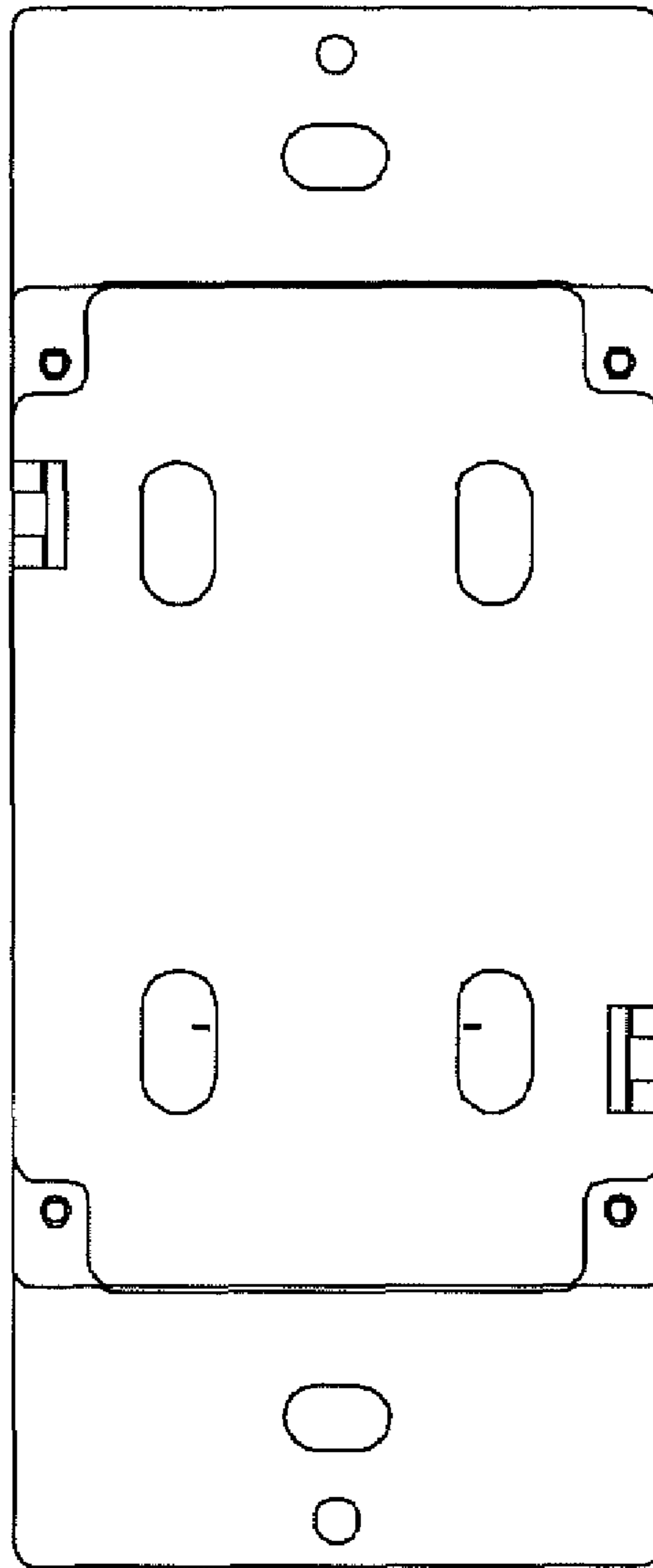


Figure 6

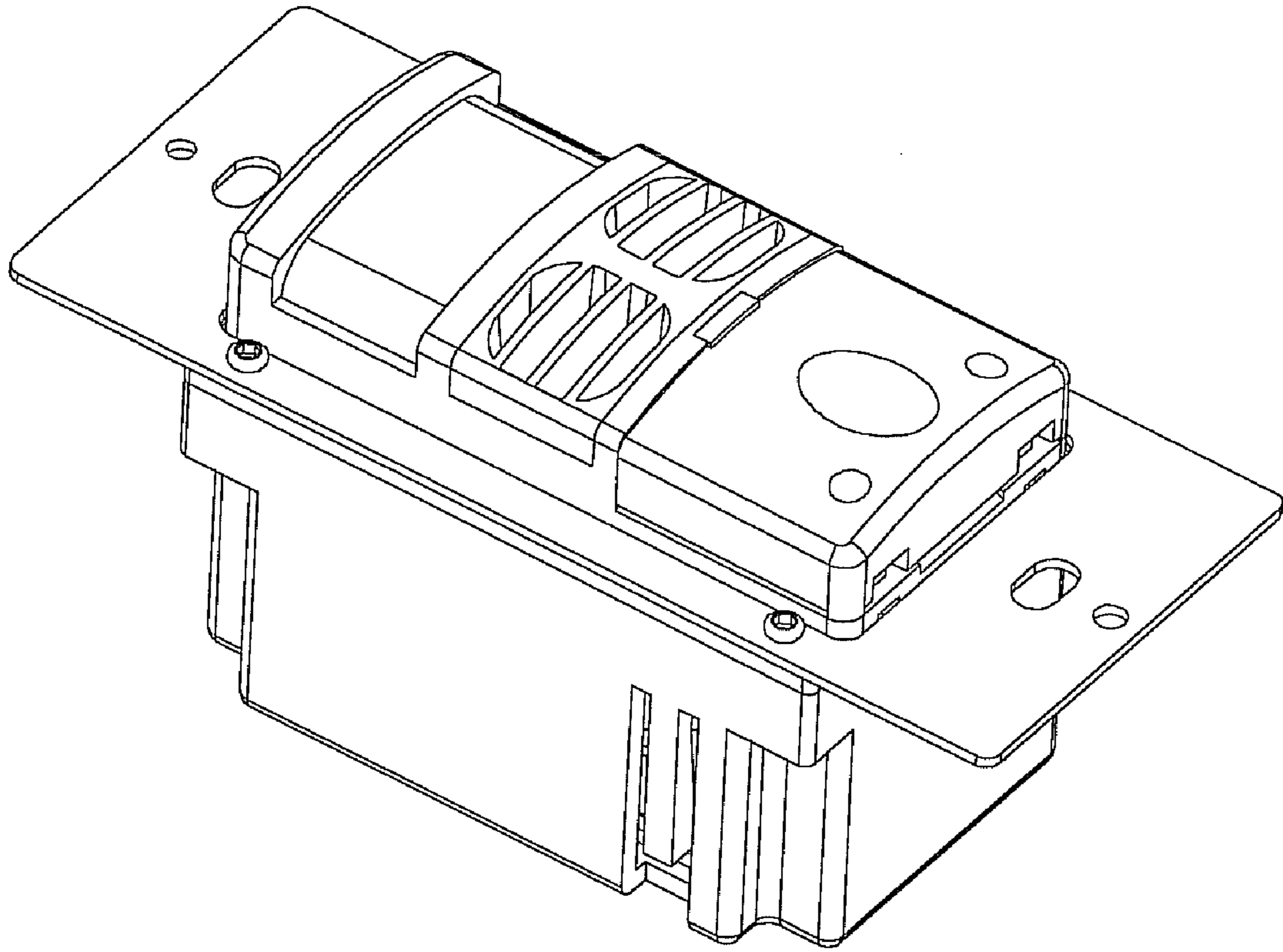


Figure 7