



US00D565981S

(12) **United States Design Patent**
Radecke et al.

(10) **Patent No.:** **US D565,981 S**

(45) **Date of Patent:** **** Apr. 8, 2008**

(54) **MALE MULTIPOLE CONNECTOR FOR A
PIEZOELECTRIC SENSOR**

(75) Inventors: **Michael Radecke**, Winterthur (CH);
Daniel Bhend, Winterthur (CH)

(73) Assignee: **Kistler Holding AG**, Winterthur (CH)

(**) Term: **14 Years**

(21) Appl. No.: **29/280,839**

(22) Filed: **Jun. 8, 2007**

(30) **Foreign Application Priority Data**

Dec. 13, 2006 (CH) 2006-01083

(51) **LOC (8) Cl.** **10-04**

(52) **U.S. Cl.** **D10/80; D13/146**

(58) **Field of Classification Search** D10/80;
D13/133-136, 147, 154, 146; 439/34, 35,
439/166, 171, 179, 312, 332, 609, 675, 680
See application file for complete search history.

(56) **References Cited**

U.S. PATENT DOCUMENTS

D525,203 S * 7/2006 Bihrer D13/146

* cited by examiner

Primary Examiner—Antoine D. Davis
(74) *Attorney, Agent, or Firm*—Dority & Manning, P.A.

(57) **CLAIM**

The ornamental design for a male multipole connector for a piezoelectric sensor, as shown and described.

DESCRIPTION

FIG. 1 is a perspective view of the front of a male multipole connector for a piezoelectric sensor;

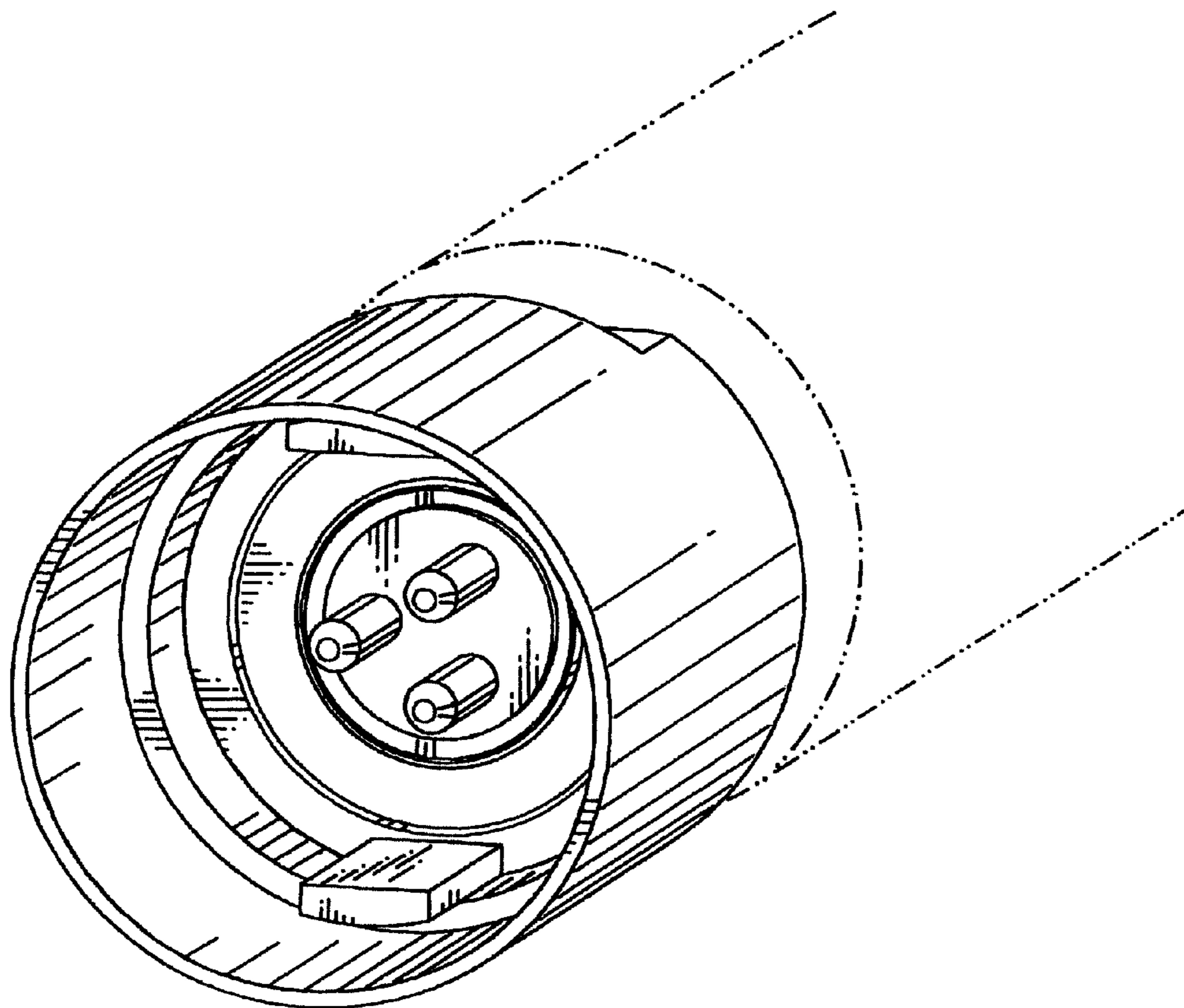
FIG. 2 is a front plan view of the male multipole connector of FIG. 1;

FIG. 3 is a left side plan view of the male multipole connector of FIG. 1, the opposite right side plan view being a mirror image thereof; and,

FIG. 4 is a top plan view of the male multipole connector of FIG. 1, the opposite bottom plan view being a mirror image thereof.

The broken lines in FIGS. 1, 3 and 4 schematically represent either a connecting cable of any kind or the sensor itself and form no part of the claimed design.

1 Claim, 4 Drawing Sheets



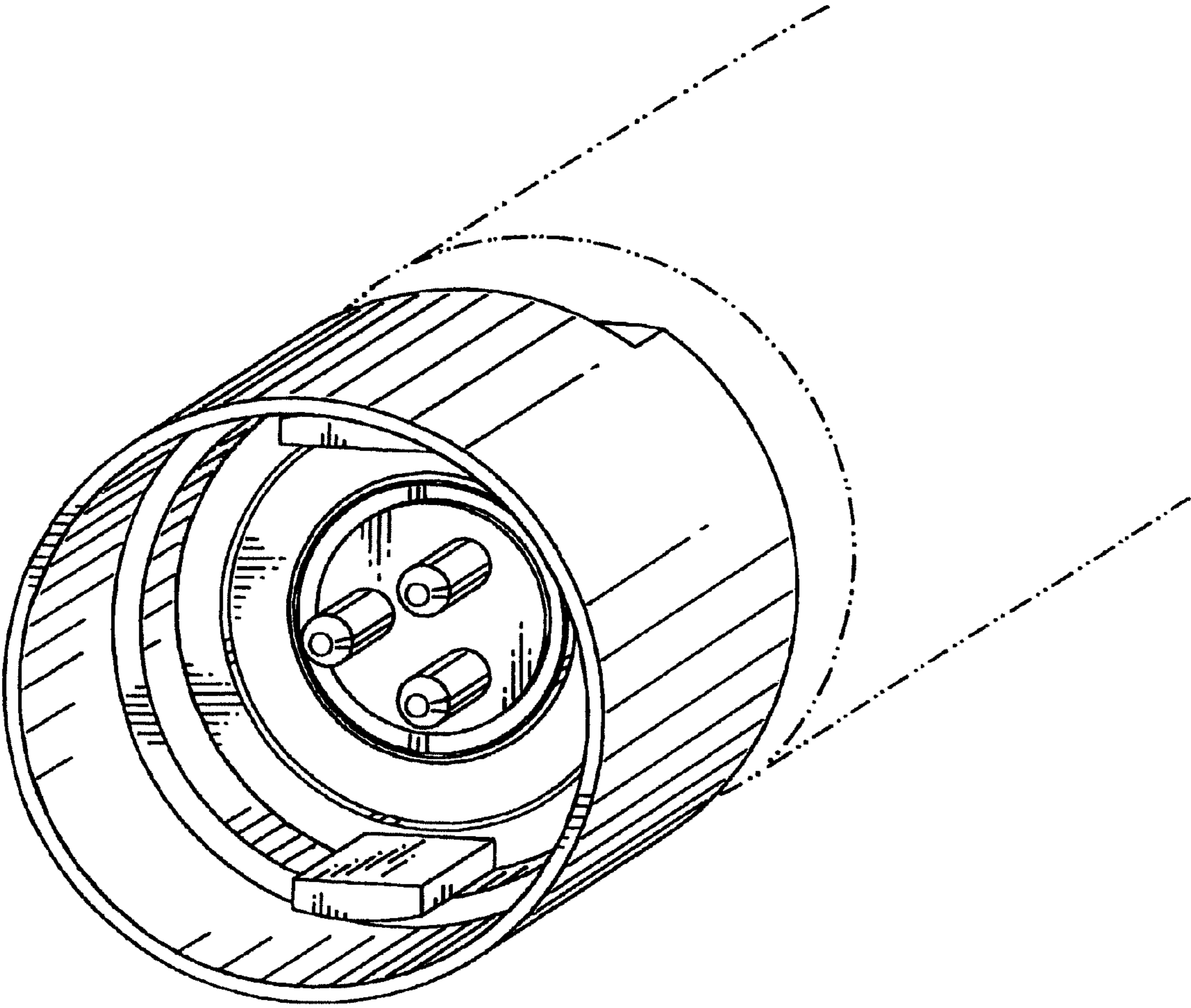


Fig. 1

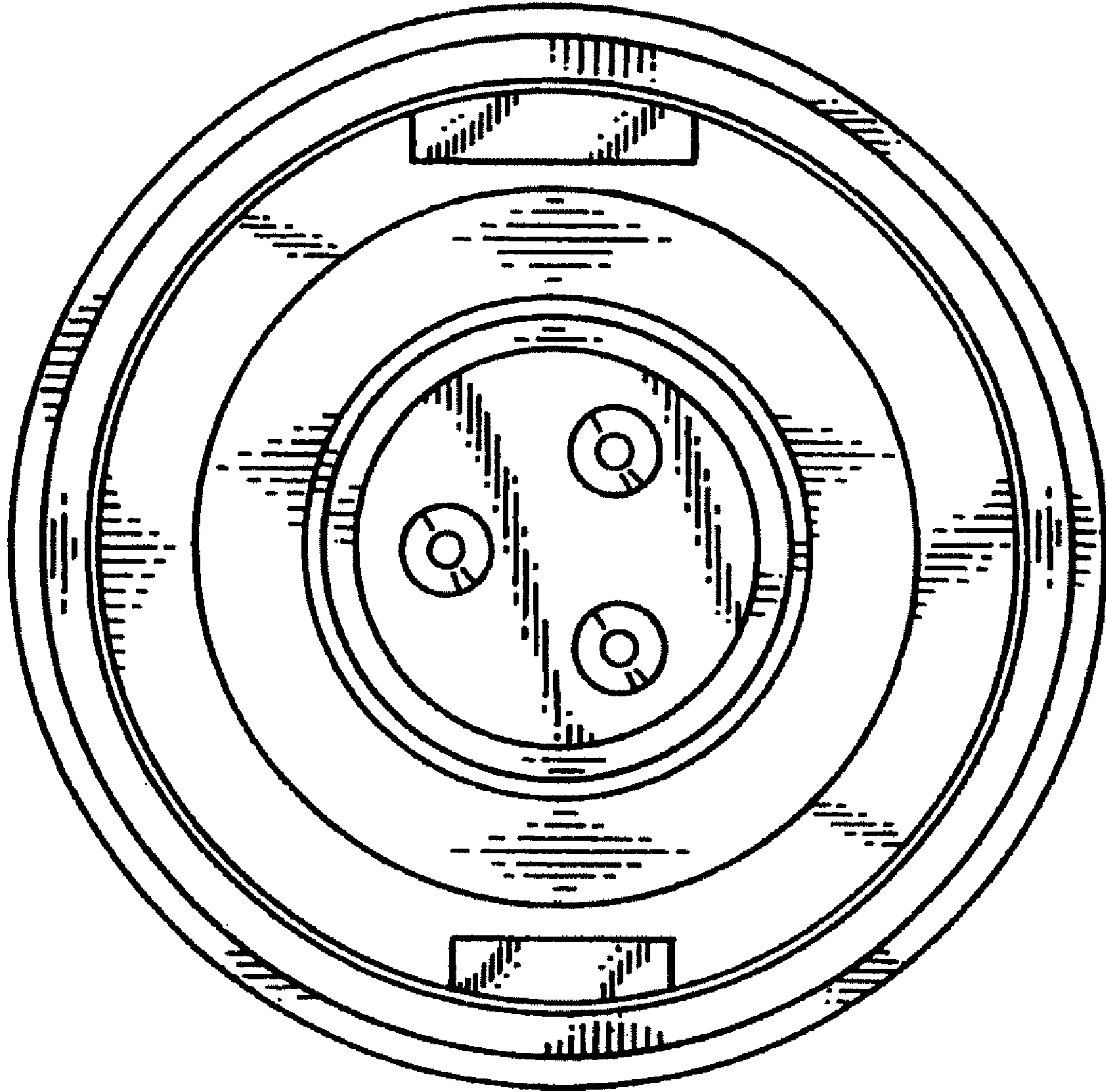


Fig. 2

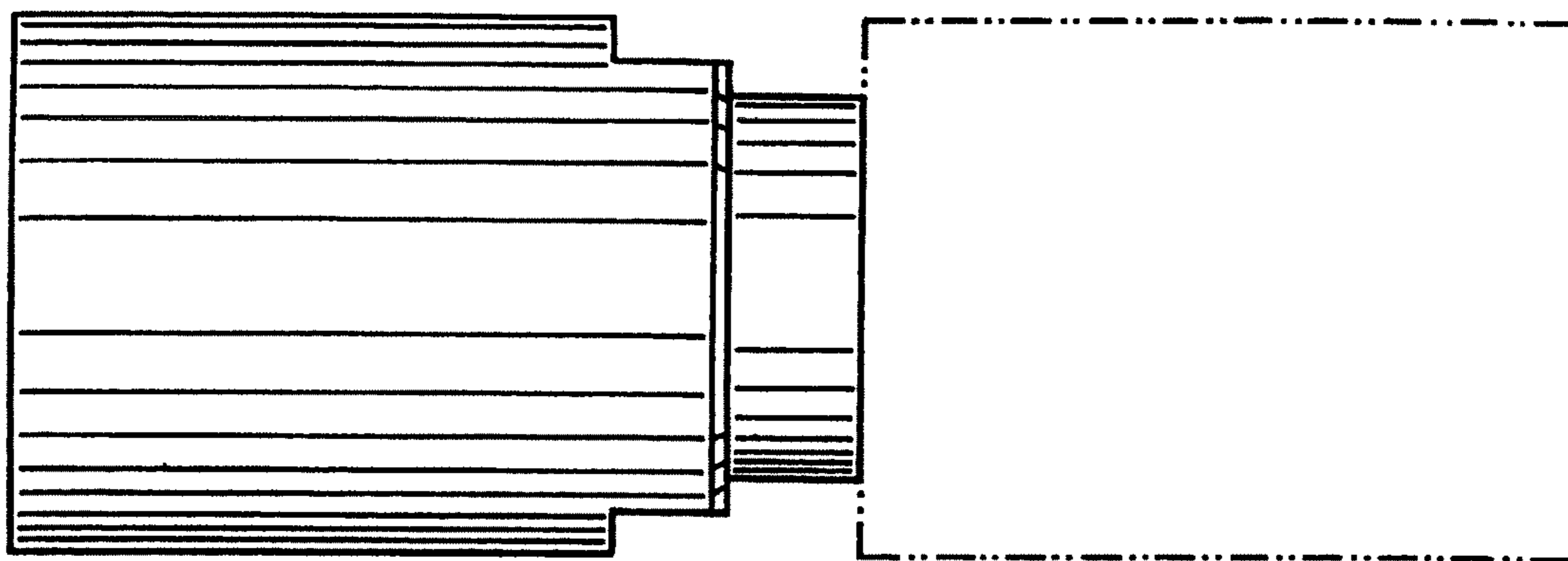


Fig. 3

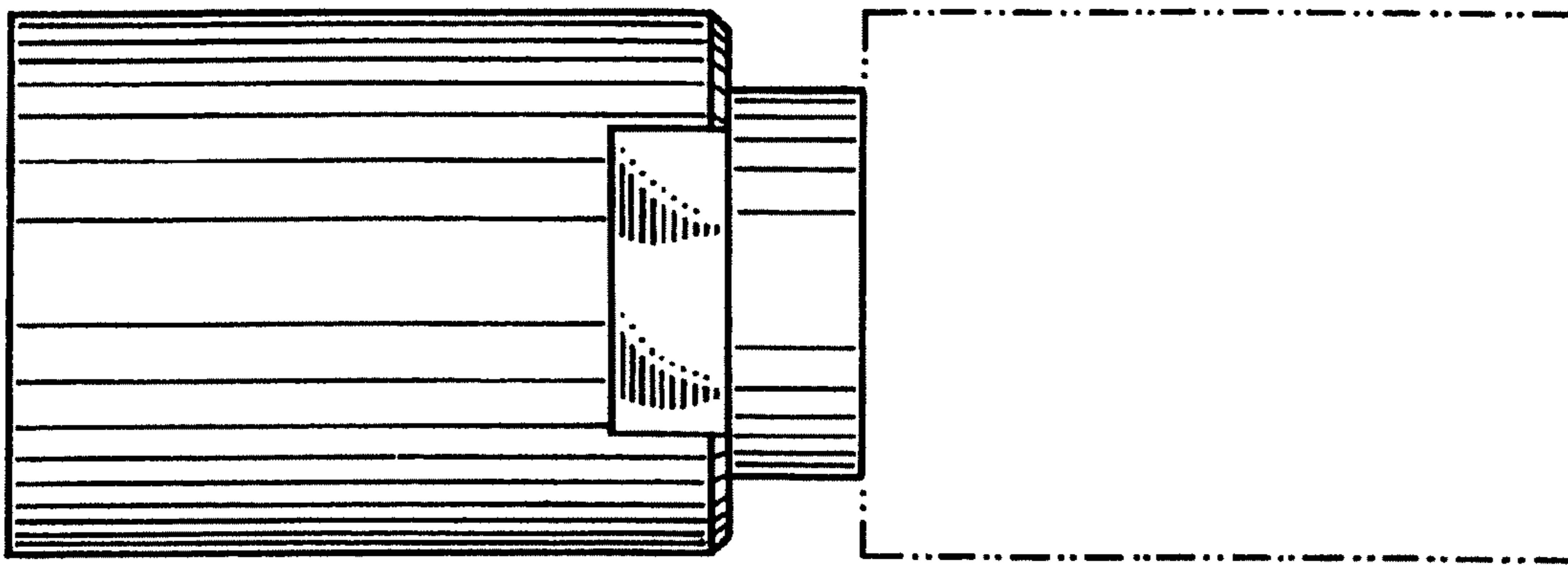


Fig. 4

UNITED STATES PATENT AND TRADEMARK OFFICE
CERTIFICATE OF CORRECTION

PATENT NO. : Des. 565,981 S
APPLICATION NO. : 29/280839
DATED : April 8, 2008
INVENTOR(S) : Michael Radecke and Daniel Bhend

Page 1 of 1

It is certified that error appears in the above-identified patent and that said Letters Patent is hereby corrected as shown below:

On the title page under Foreign Application Priority Data, please make the following correction:

“2006-01083” should read -- 133490 --

Signed and Sealed this

First Day of July, 2008

A handwritten signature in black ink that reads "Jon W. Dudas". The signature is written in a cursive style with a large, looped initial "J".

JON W. DUDAS
Director of the United States Patent and Trademark Office