



US00D565980S

(12) **United States Design Patent**  
**Reeson et al.**

(10) **Patent No.:** **US D565,980 S**

(45) **Date of Patent:** **\*\* Apr. 8, 2008**

(54) **MOUNT FOR A NAVIGATION DEVICE**

D457,511 S \* 5/2002 Yuen ..... D14/197

(75) Inventors: **Joshua C. Reeson**, Olathe, KS (US);  
**Warren R. Stevens**, Olathe, KS (US)

\* cited by examiner

*Primary Examiner*—Antoine D. Davis

(73) Assignee: **Garmin Ltd.** (KY)

(74) *Attorney, Agent, or Firm*—Kevin E. West; Samuel M. Korte

(\*\*) Term: **14 Years**

(57) **CLAIM**

(21) Appl. No.: **29/277,048**

The ornamental design for a mount for a navigation device, as shown and described.

(22) Filed: **Feb. 12, 2007**

(51) **LOC (8) Cl.** ..... **10-04**

(52) **U.S. Cl.** ..... **D10/74**

(58) **Field of Classification Search** ..... 340/995;  
364/200, 434, 443, 444, 449, 451, 708.1,  
364/709.11, 499; 73/178 R; 248/DIG. 4,  
248/121, 160, 229, 284, 291, 291.1–229.26,  
248/689–690; D10/74; D14/347; 342/351,  
342/419, 457, 357.06–357.13; 343/702;  
345/87, 104, 133, 156, 168, 173, 901–905;  
348/180, 184, 315, 739; 701/206–209, 213,  
701/214

See application file for complete search history.

**DESCRIPTION**

FIG. 1 is a front isometric view of a mount for a navigation device according to the present invention;

FIG. 2 is a rear isometric view thereof;

FIG. 3 is a front isometric view thereof;

FIG. 4 is a rear isometric view thereof;

FIG. 5 is a front elevational view thereof;

FIG. 6 is a right side elevational view thereof;

FIG. 7 is a rear elevational view thereof;

FIG. 8 is a left side elevational view thereof;

FIG. 9 is a top plan view thereof; and,

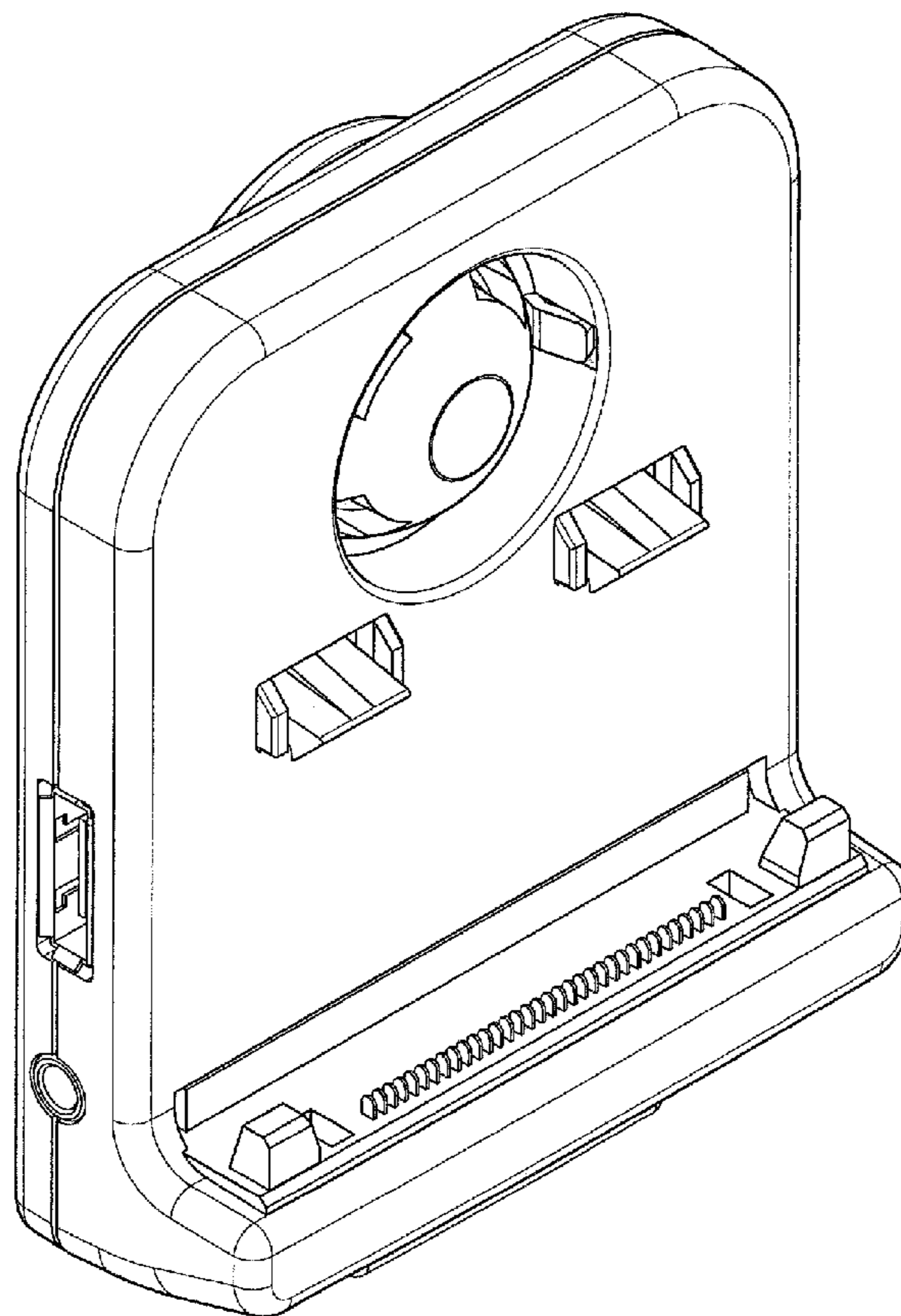
FIG. 10 is a bottom plan view thereof.

(56) **References Cited**

**U.S. PATENT DOCUMENTS**

D433,345 S \* 11/2000 Okada et al. .... D10/74

**1 Claim, 5 Drawing Sheets**



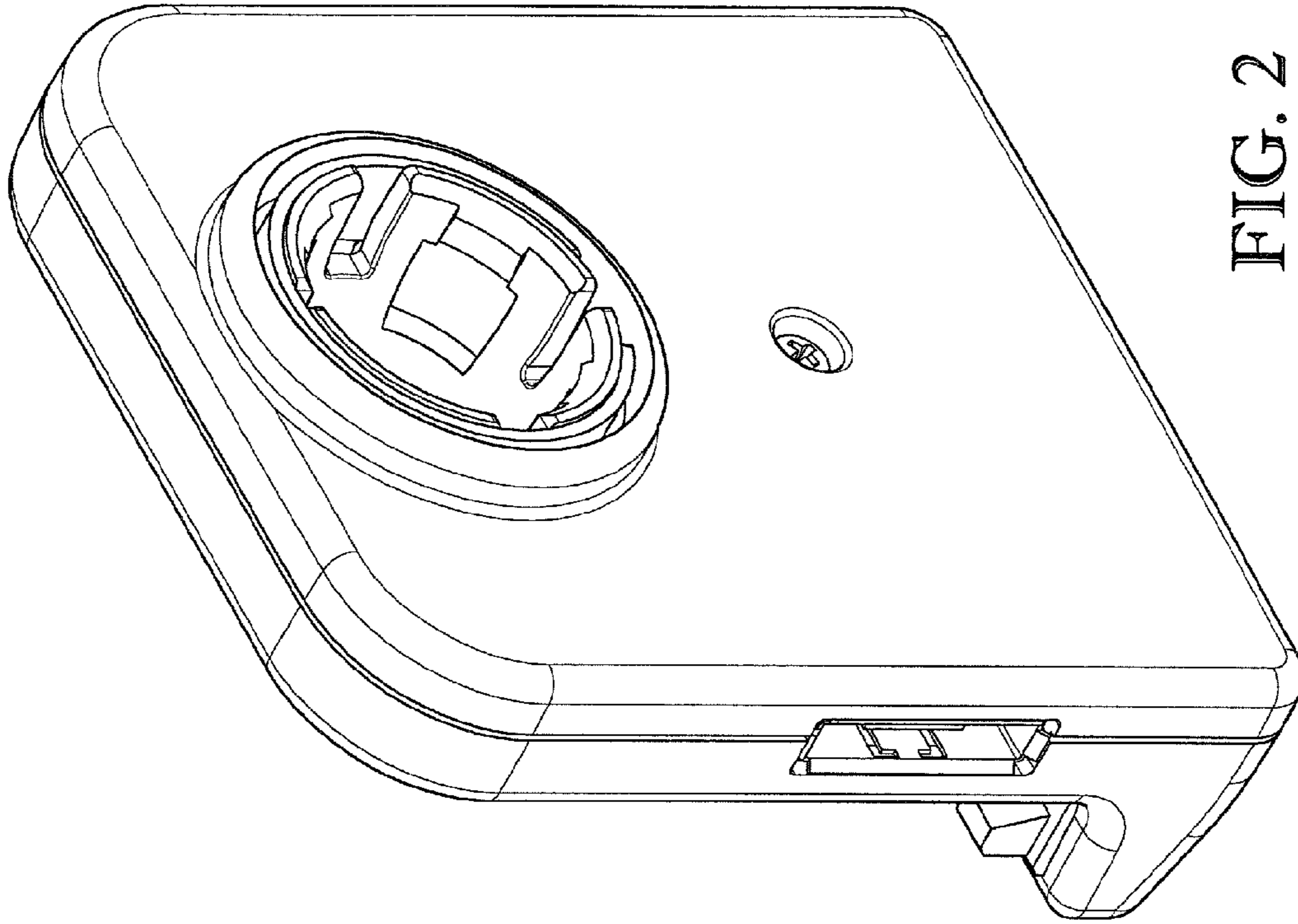


FIG. 2

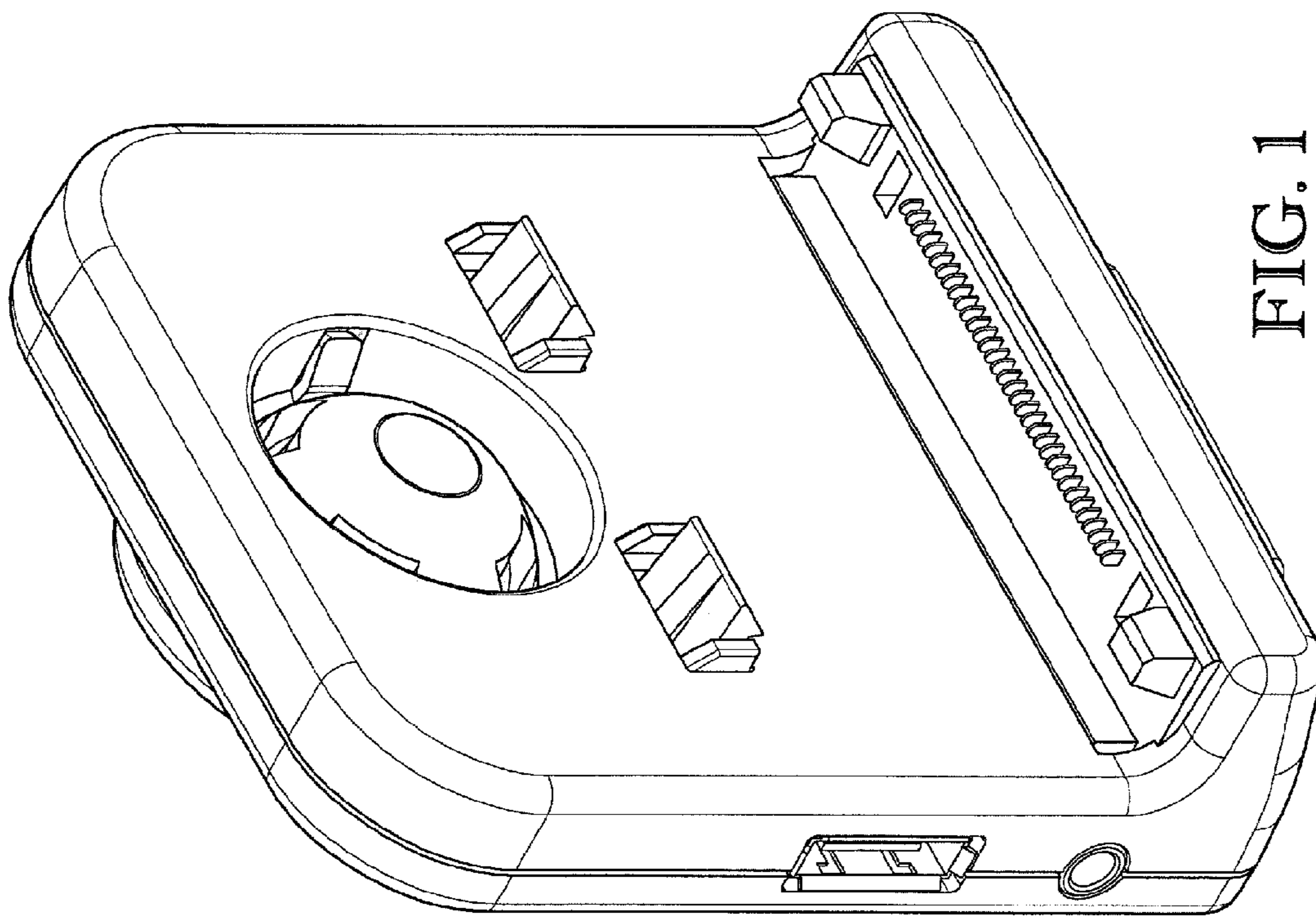


FIG. 1

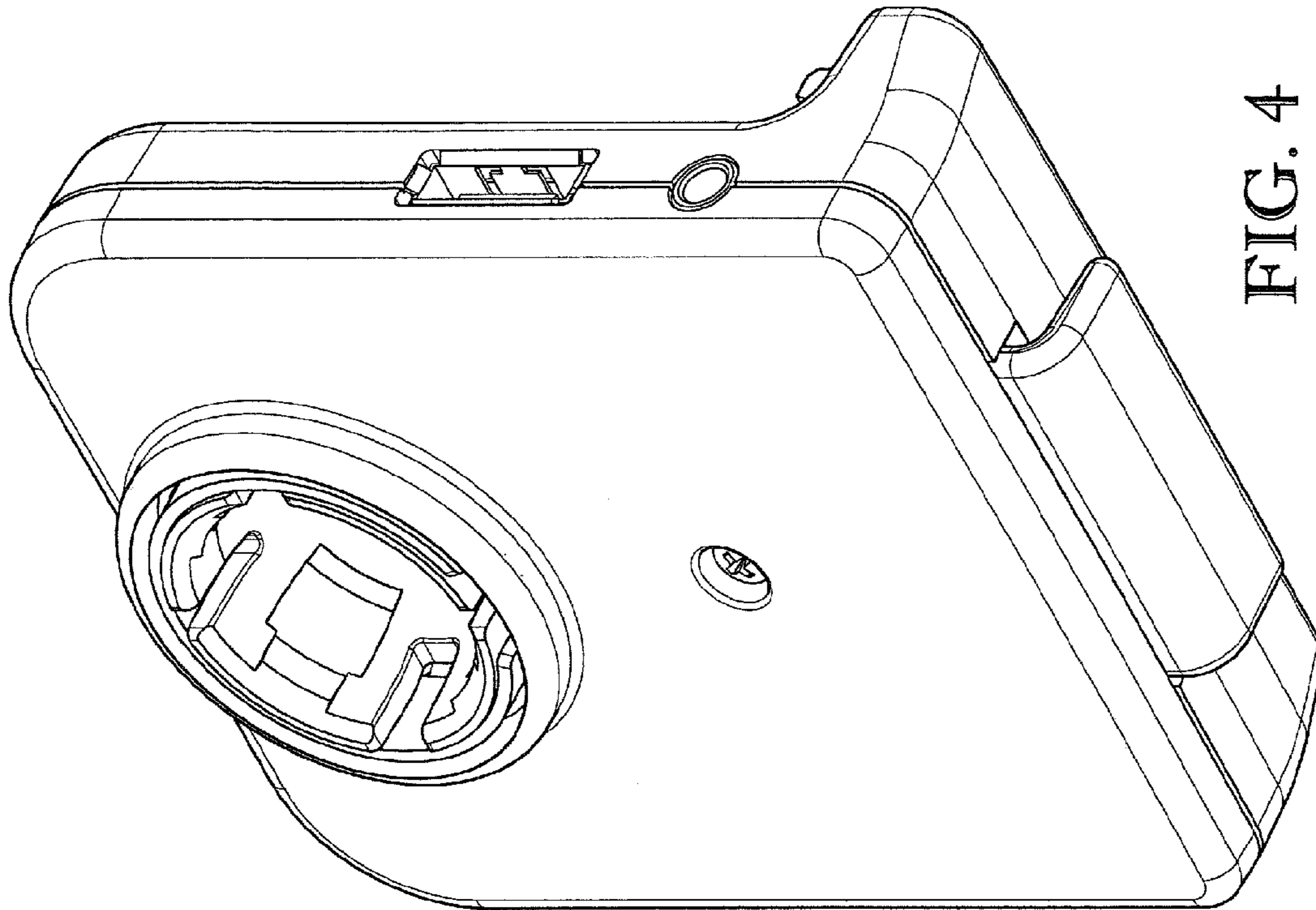


FIG. 4

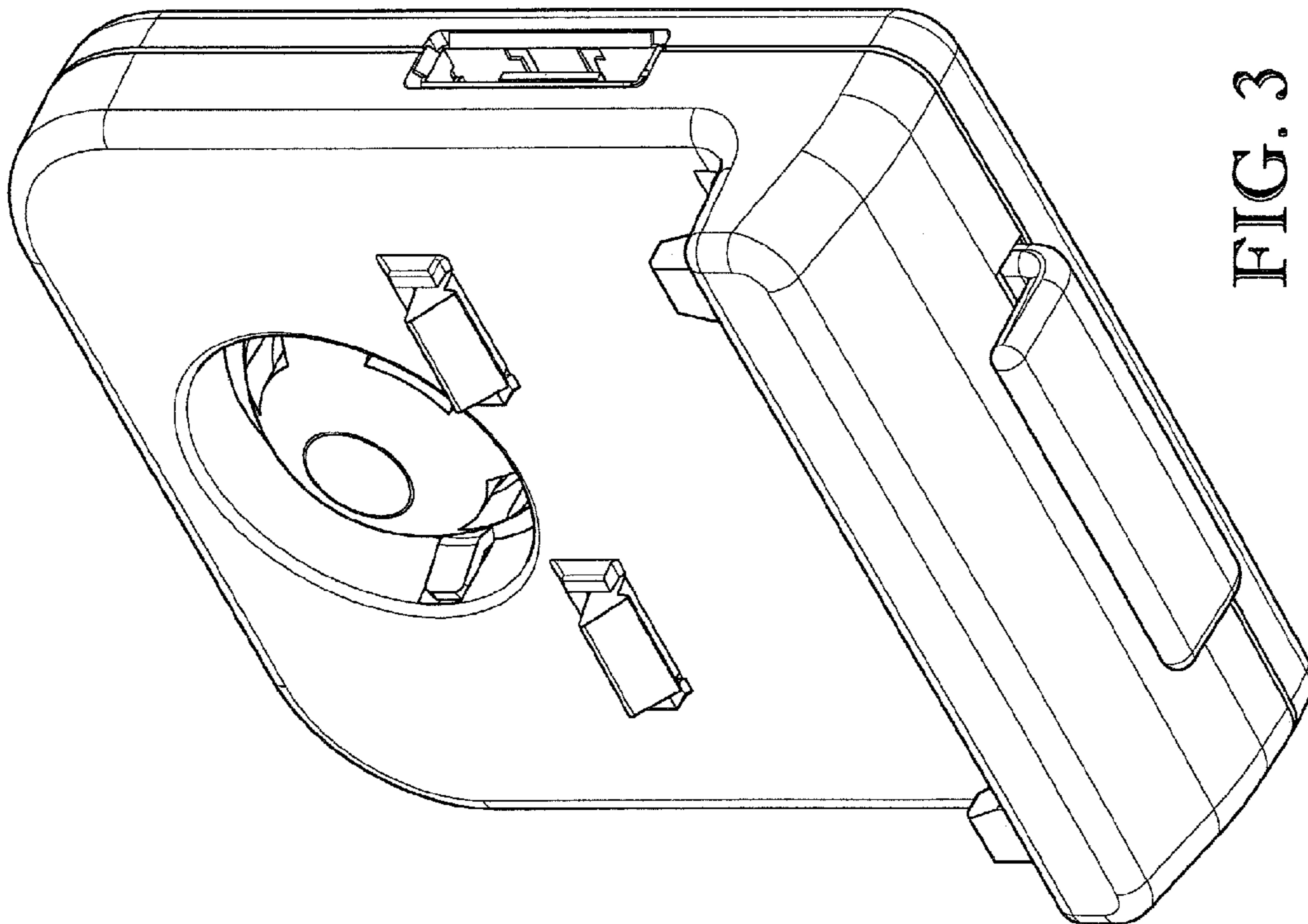


FIG. 3

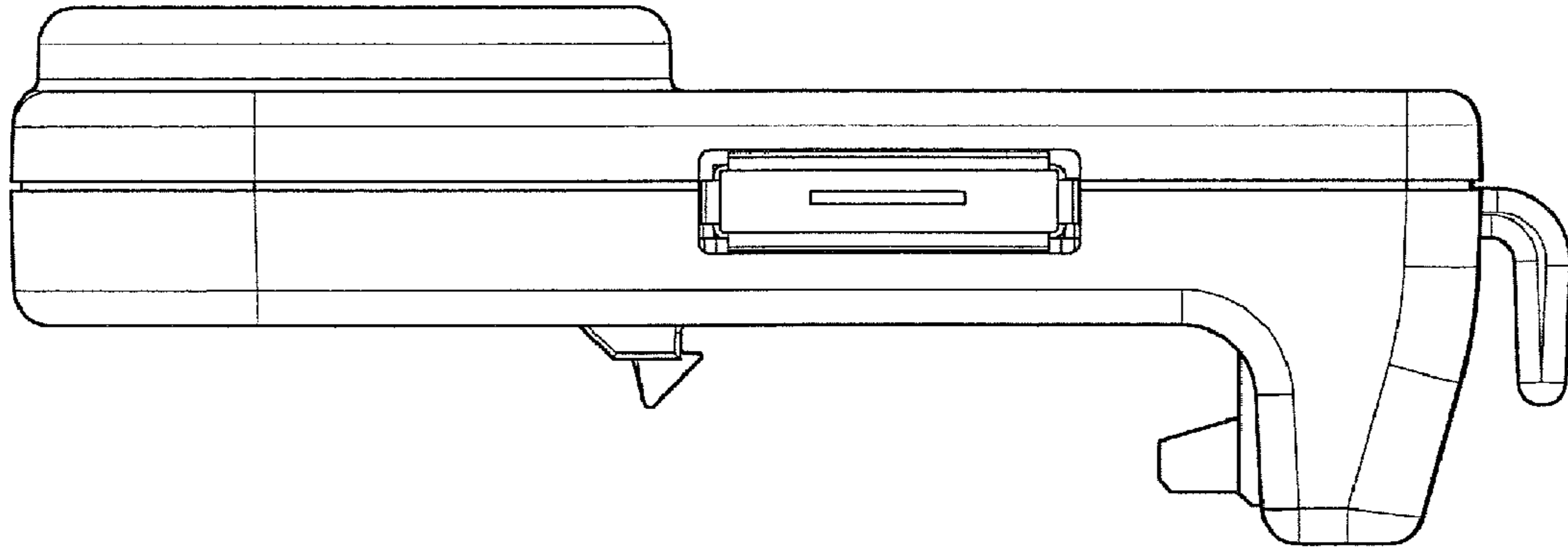


FIG. 6

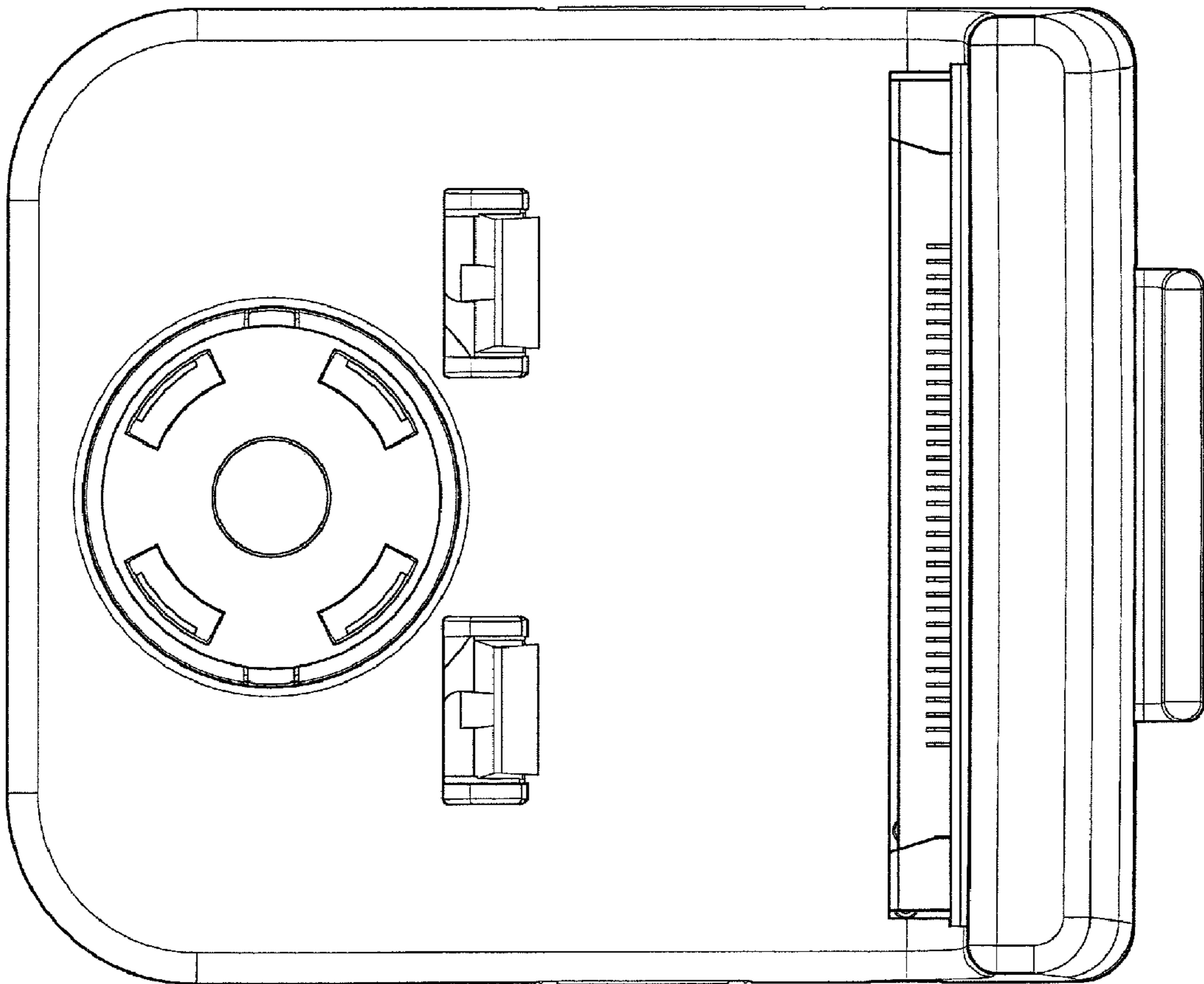


FIG. 5

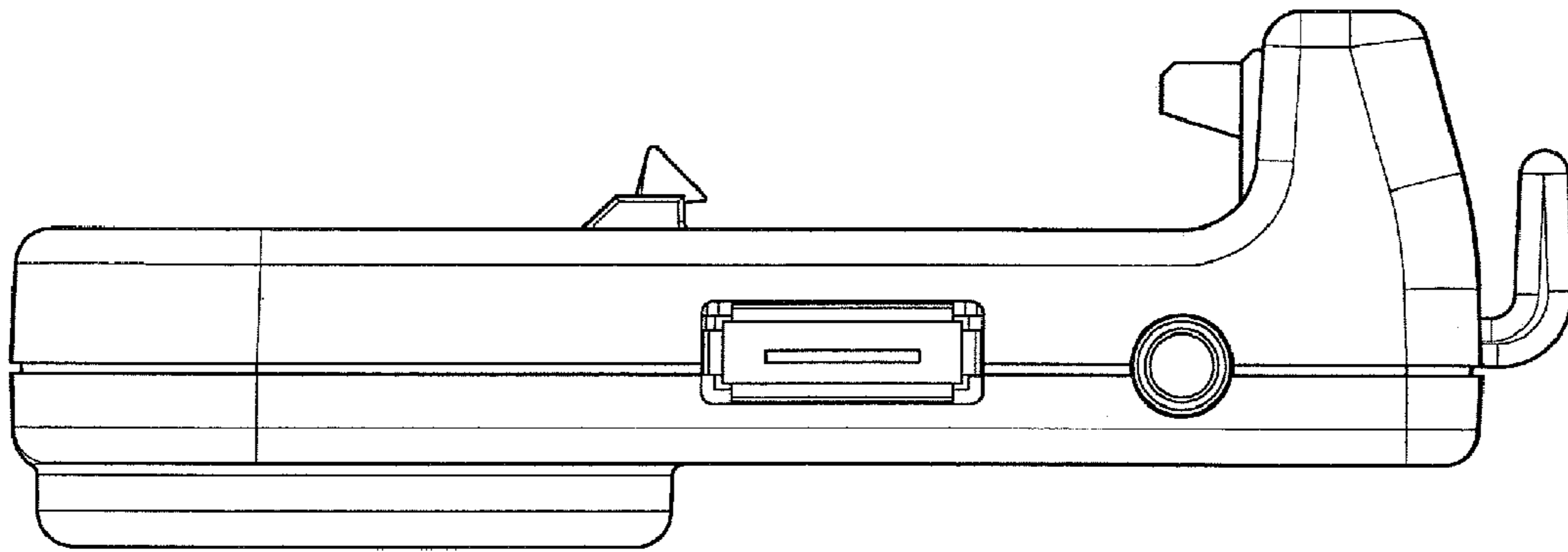


FIG. 8

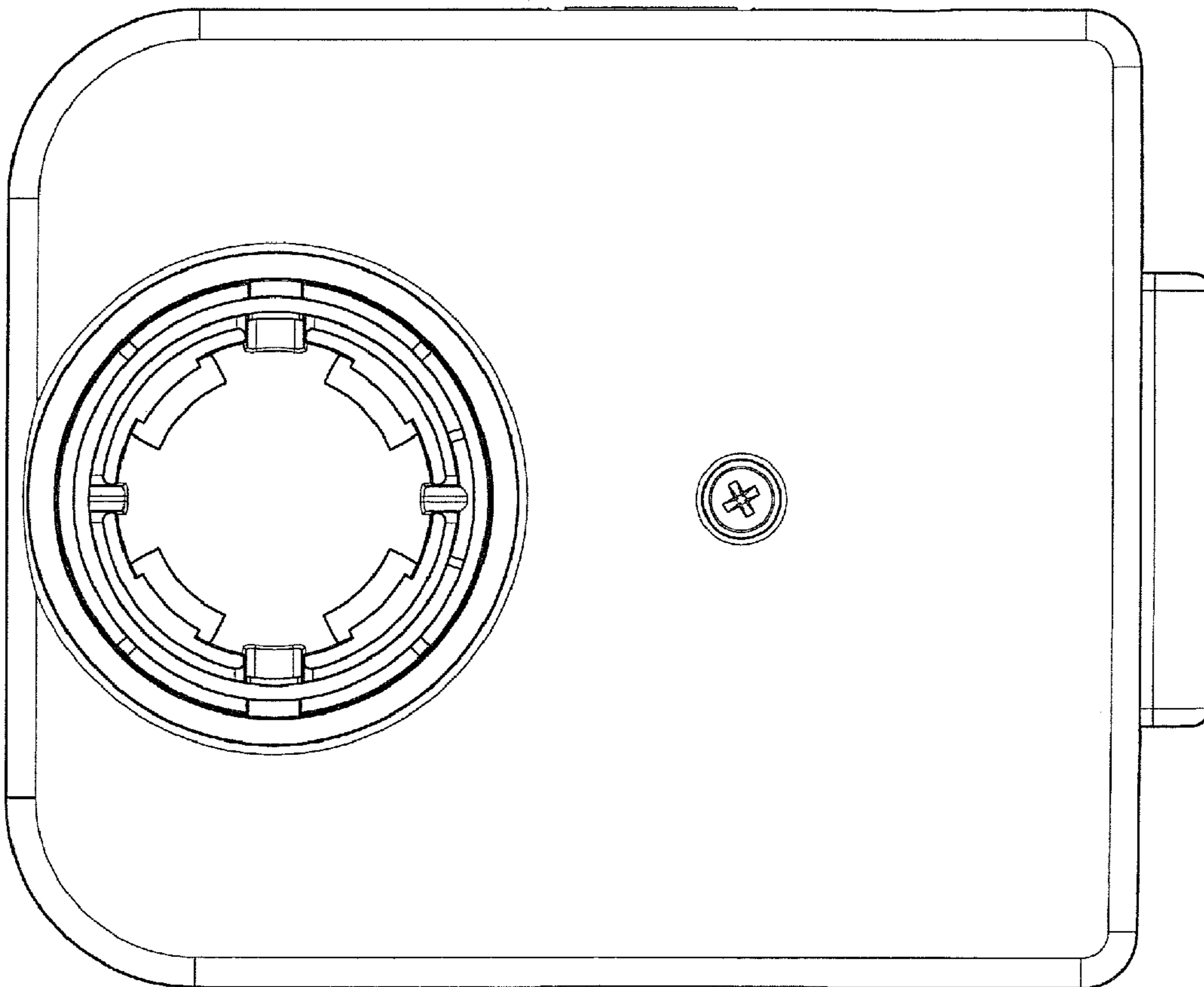


FIG. 7

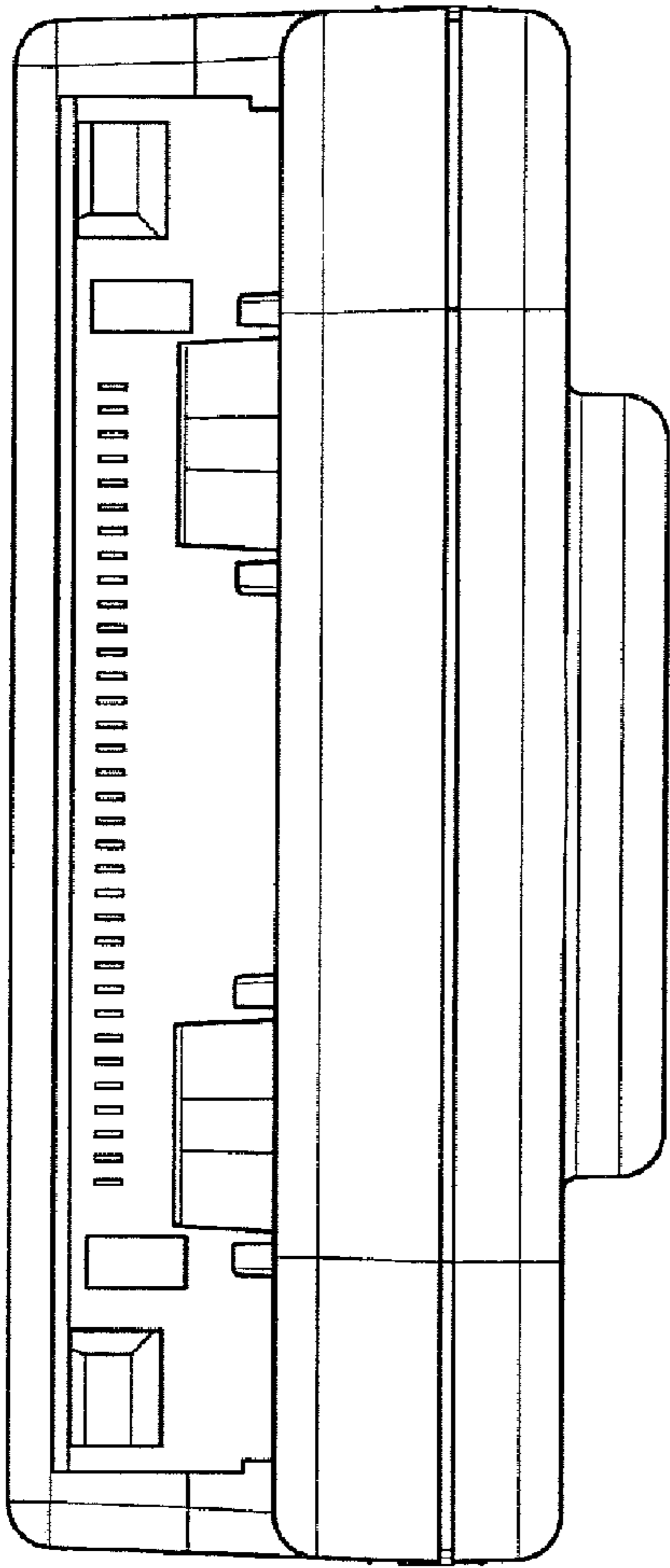


FIG. 9

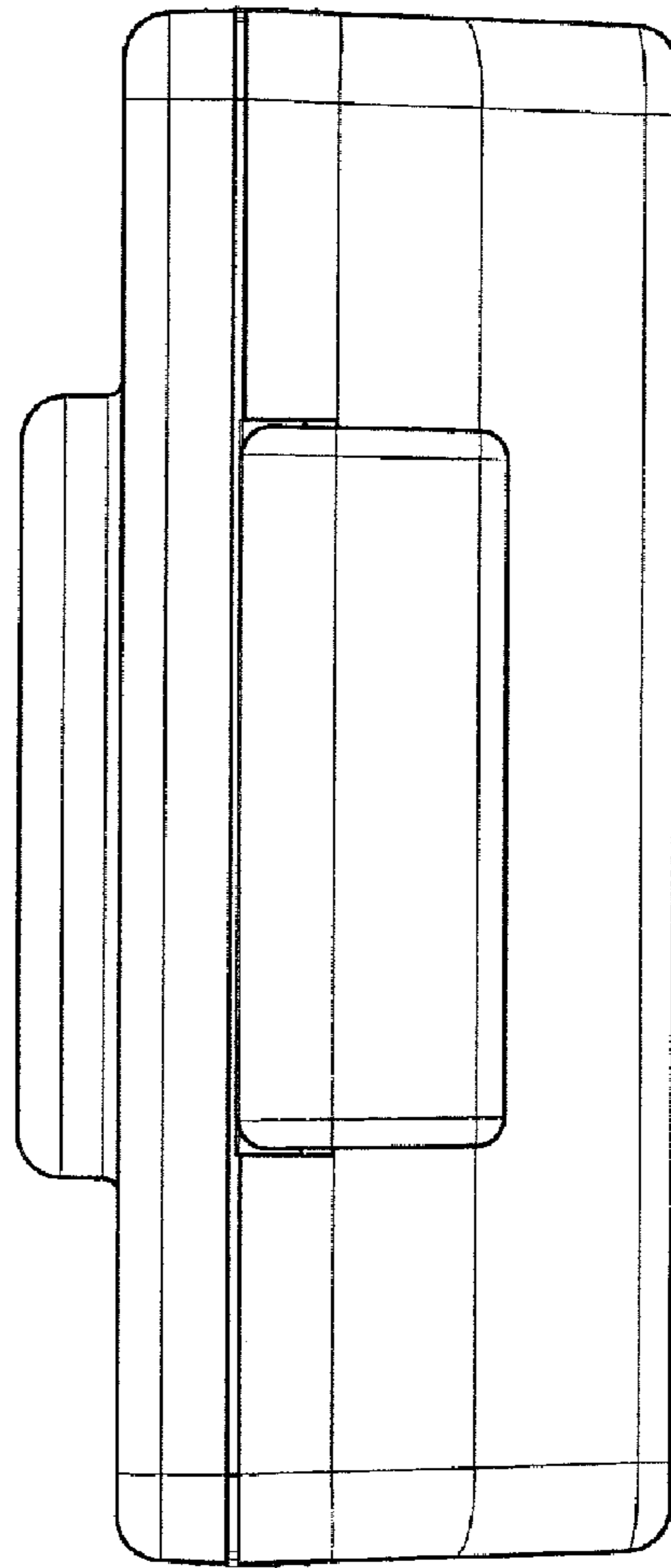


FIG. 10