



US00D565974S

(12) **United States Design Patent**
Schapanski

(10) **Patent No.:** **US D565,974 S**

(45) **Date of Patent:** **** Apr. 8, 2008**

(54) **PICTURE HANGING LOCATING DEVICE**

(76) **Inventor:** **Roland Clifford Schapanski**, 602
Paget Dr., Venice, FL (US) 34293

(**) **Term:** **14 Years**

(21) **Appl. No.:** **29/268,370**

(22) **Filed:** **Nov. 2, 2006**

(51) **LOC (8) Cl.** **10-04**

(52) **U.S. Cl.** **D10/62; D10/65**

(58) **Field of Classification Search** **D10/62,**
D10/65, 71; 33/8, 483-494; 235/70 D;
248/475.1, 544

See application file for complete search history.

(56) **References Cited**

U.S. PATENT DOCUMENTS

3,350,787 A * 11/1967 Romano 248/544

D282,054 S * 1/1986 Hoffman D10/62
5,180,135 A * 1/1993 Hindall 248/544
D339,075 S * 9/1993 Hindall D10/65

* cited by examiner

Primary Examiner—Antoine D. Davis
(74) *Attorney, Agent, or Firm*—Gifford, Krass, Sprinkle,
Anderson, & Citkowski, P.C.

(57) **CLAIM**

I claim the ornamental design for a picture hanging locating device, as shown and described.

DESCRIPTION

FIG. 1 is a rear perspective view of a picture hanging locating device of the present invention; and, FIG. 2 is a front perspective view thereof.

1 Claim, 1 Drawing Sheet

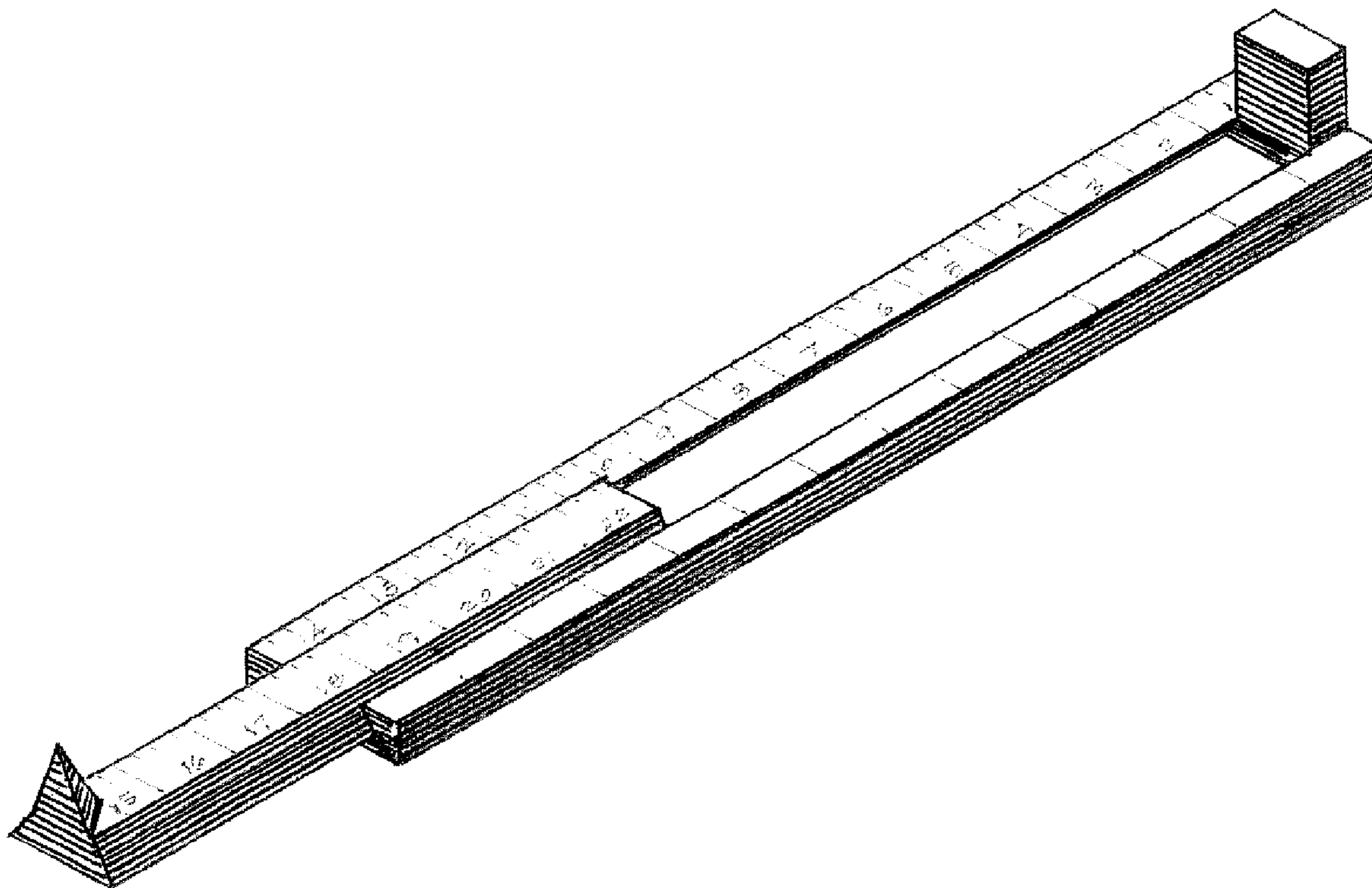


Figure 1

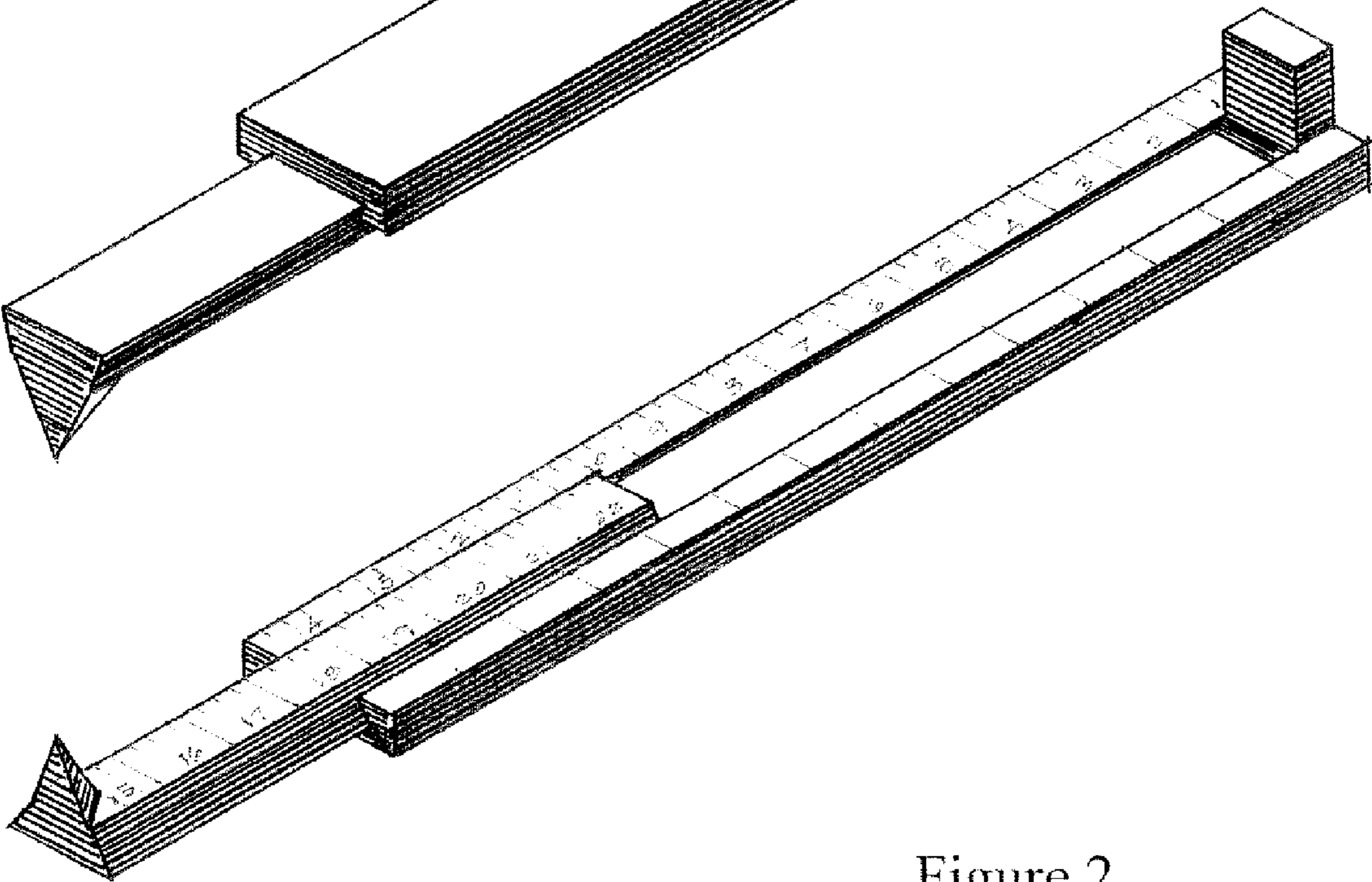
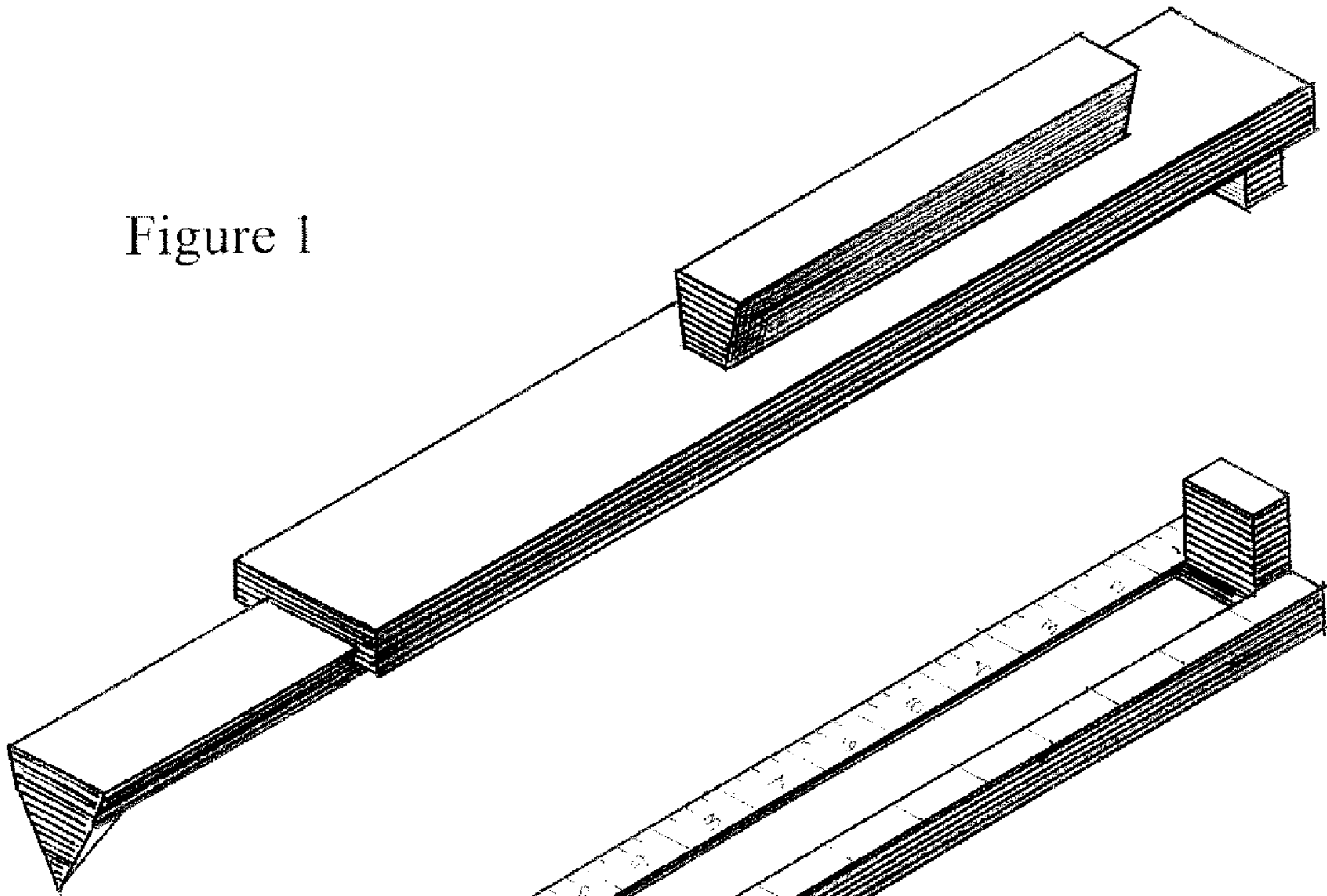


Figure 2