



US00D565973S

(12) **United States Design Patent**
Huang et al.

(10) **Patent No.:** **US D565,973 S**

(45) **Date of Patent:** **** Apr. 8, 2008**

(54) **MAGNETIC INDUCTIVE SENSOR**

2003/0090844 A1* 5/2003 Shimizu et al. 360/324.12
2006/0272146 A1* 12/2006 Seyama et al. 360/324.2

(75) Inventors: **Ming-Chih Huang**, Taichung (TW);
Don-Hua Cheng, Taichung (TW)

* cited by examiner

(73) Assignee: **Hiwin Mikrosystem Corp.**, Taichung
(TW)

Primary Examiner—Antoine D. Davis
(74) *Attorney, Agent, or Firm*—Banger Shia

(**) Term: **14 Years**

(57) **CLAIM**

(21) Appl. No.: **29/280,452**

The ornamental design for a magnetic inductive sensor, as shown and described.

(22) Filed: **May 29, 2007**

(51) **LOC (8) Cl.** **10-04**

(52) **U.S. Cl.** **D10/46**

(58) **Field of Classification Search** D10/46;
73/862.69; 219/626; 324/207.1, 207.16,
324/207.17, 207.18, 207.19, 207.2, 207.24,
324/207.25, 207.26, 260; 340/436; 360/327,
360/324.1; 428/84

See application file for complete search history.

DESCRIPTION

FIG. 1 is a perspective view of a magnetic inductive sensor showing my new design;

FIG. 2 is a front elevational view thereof;

FIG. 3 is a rear elevational view thereof;

FIG. 4 is a left side elevational view thereof;

FIG. 5 is a right side elevational view thereof;

FIG. 6 is a top plan view thereof; and,

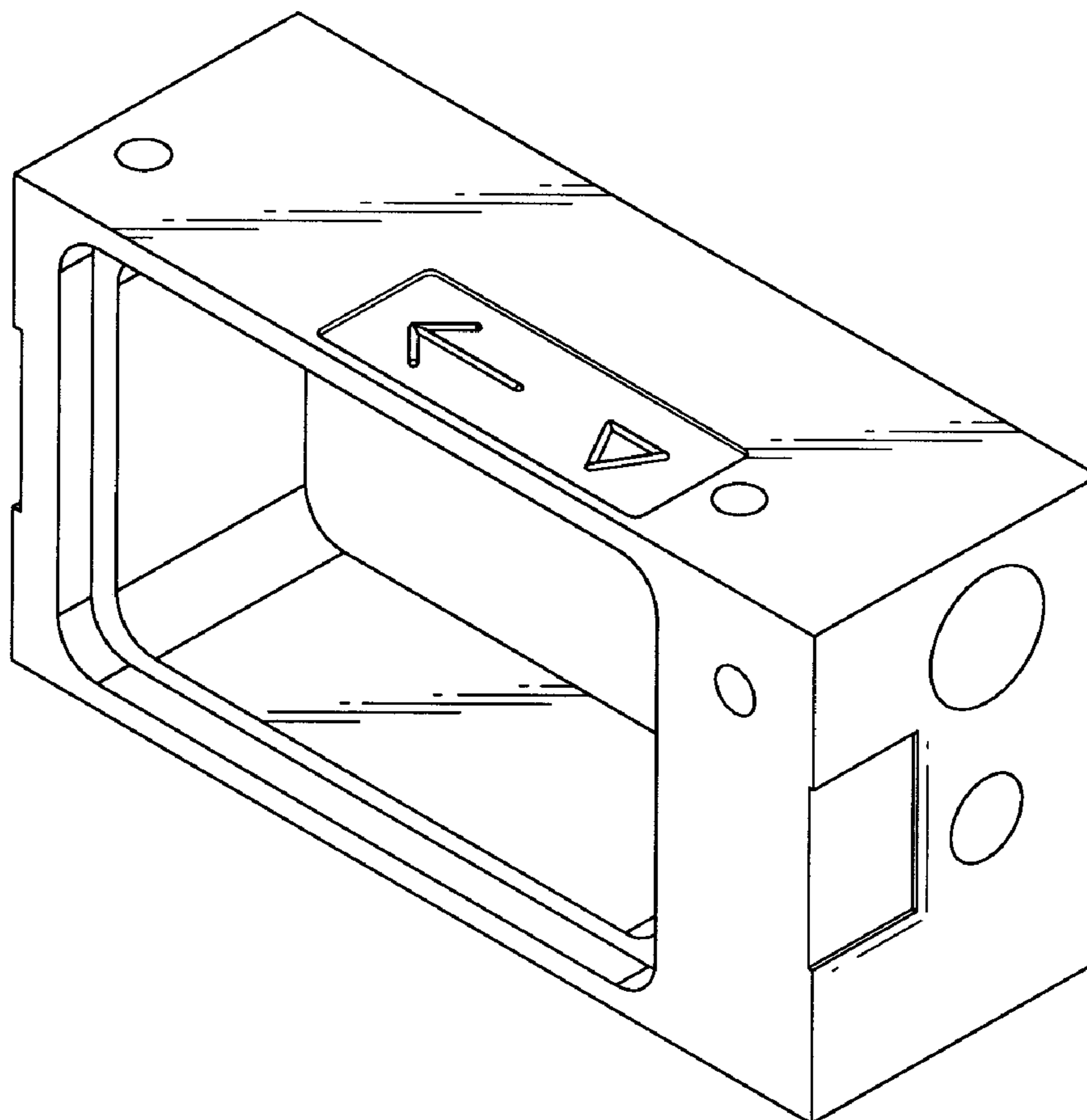
FIG. 7 is a bottom plan view to that shown.

(56) **References Cited**

U.S. PATENT DOCUMENTS

D531,066 S * 10/2006 Watabe D10/46

1 Claim, 6 Drawing Sheets



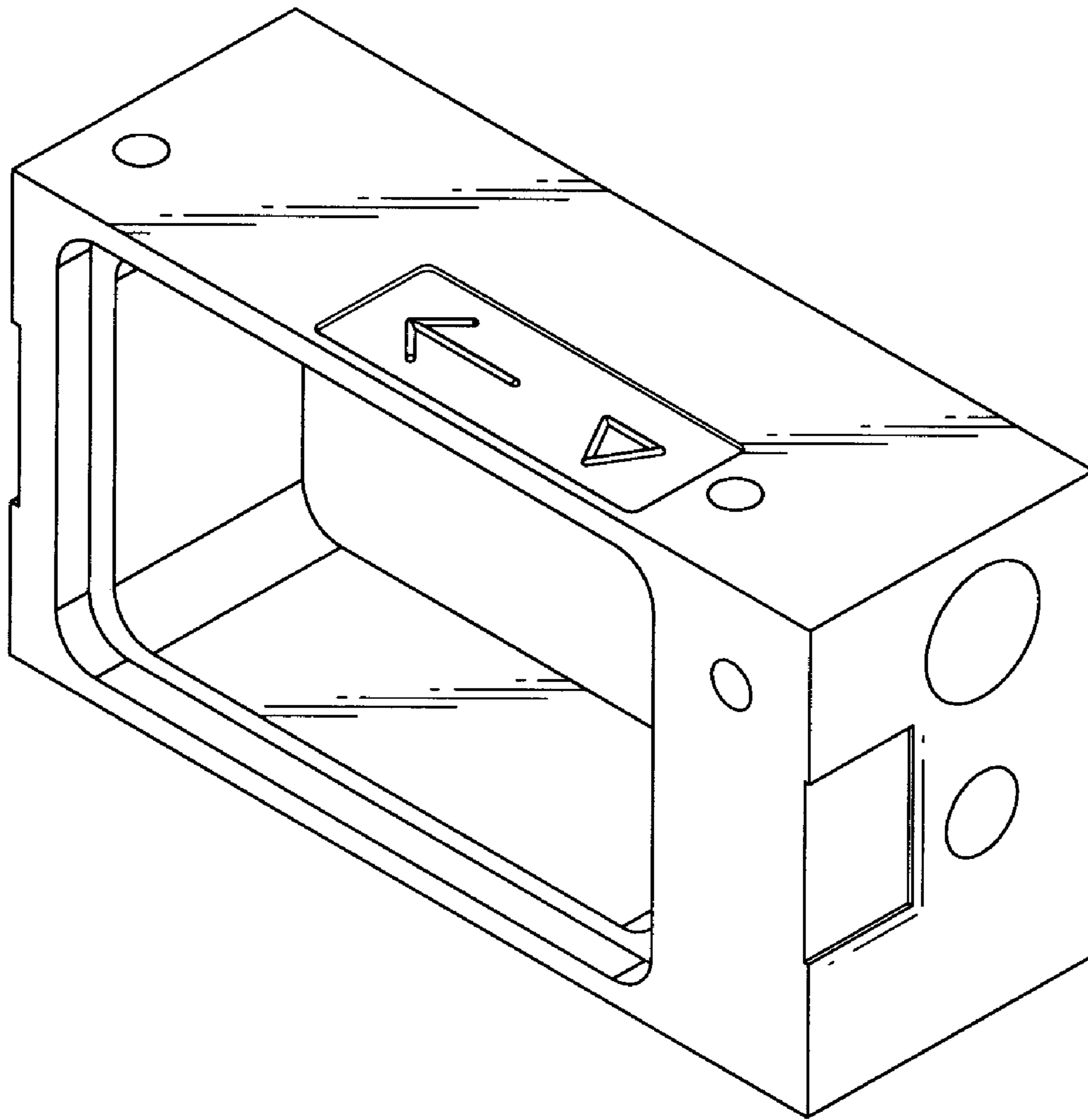


FIG. 1

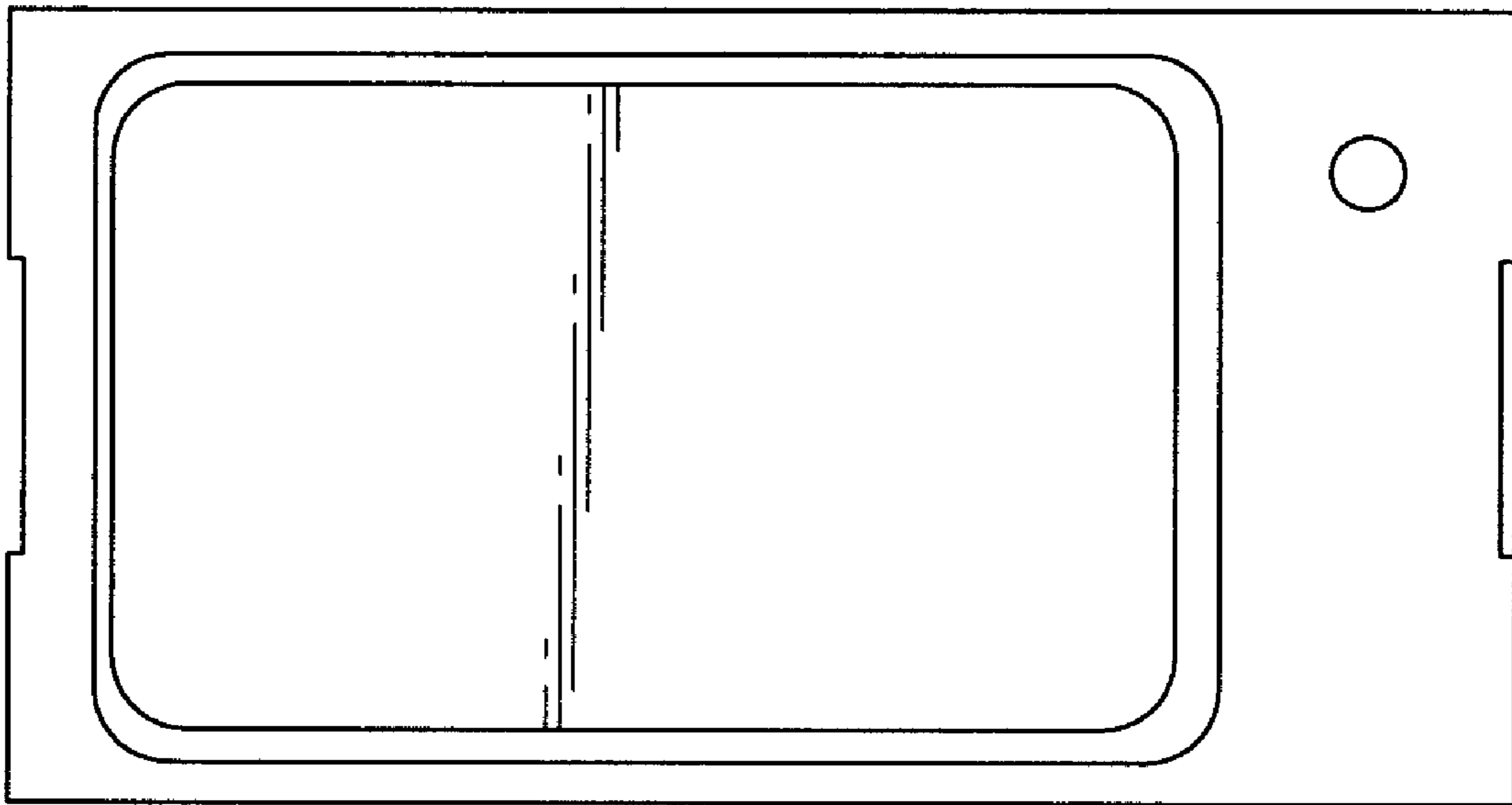


FIG. 2

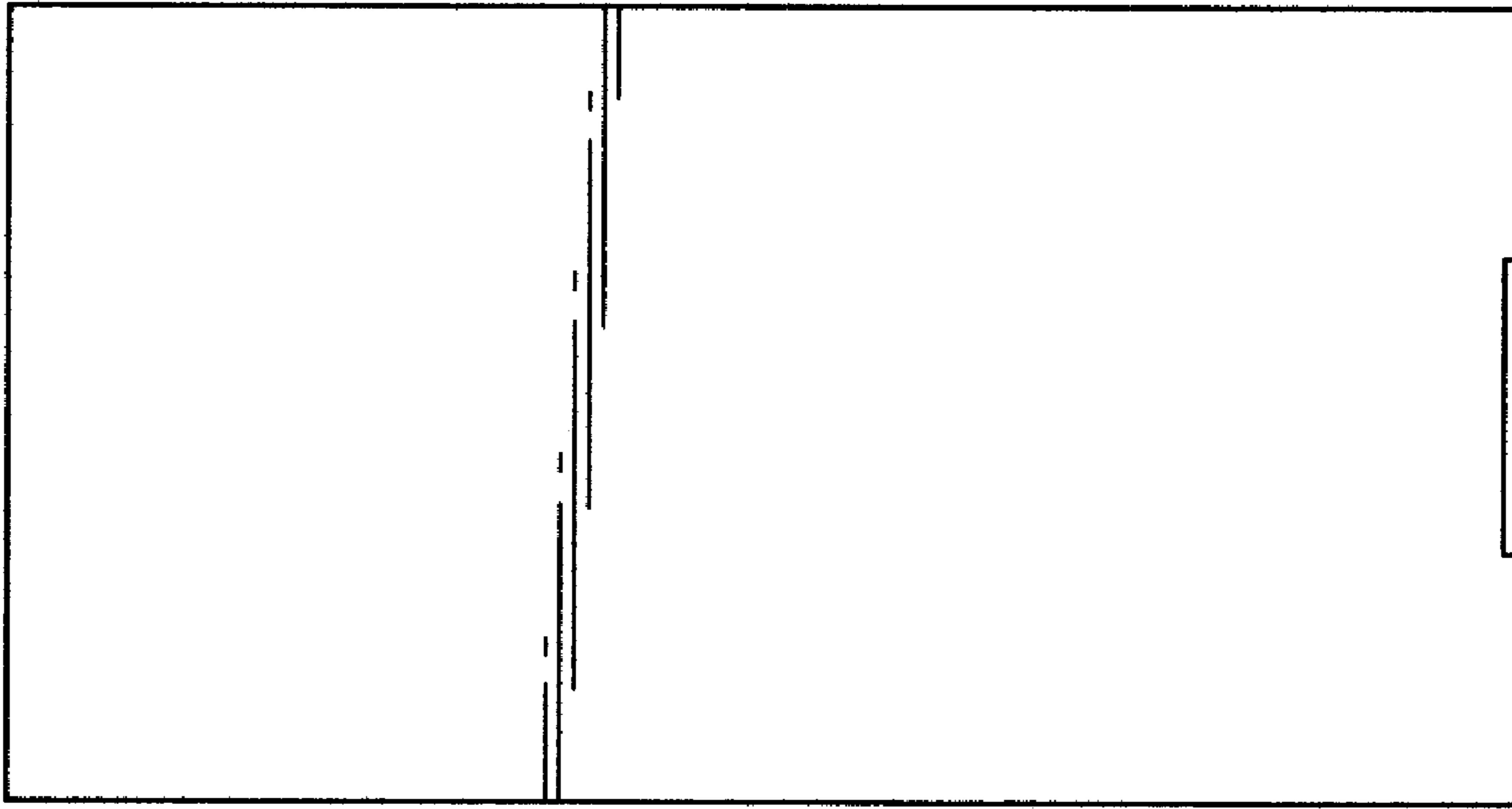


FIG. 3

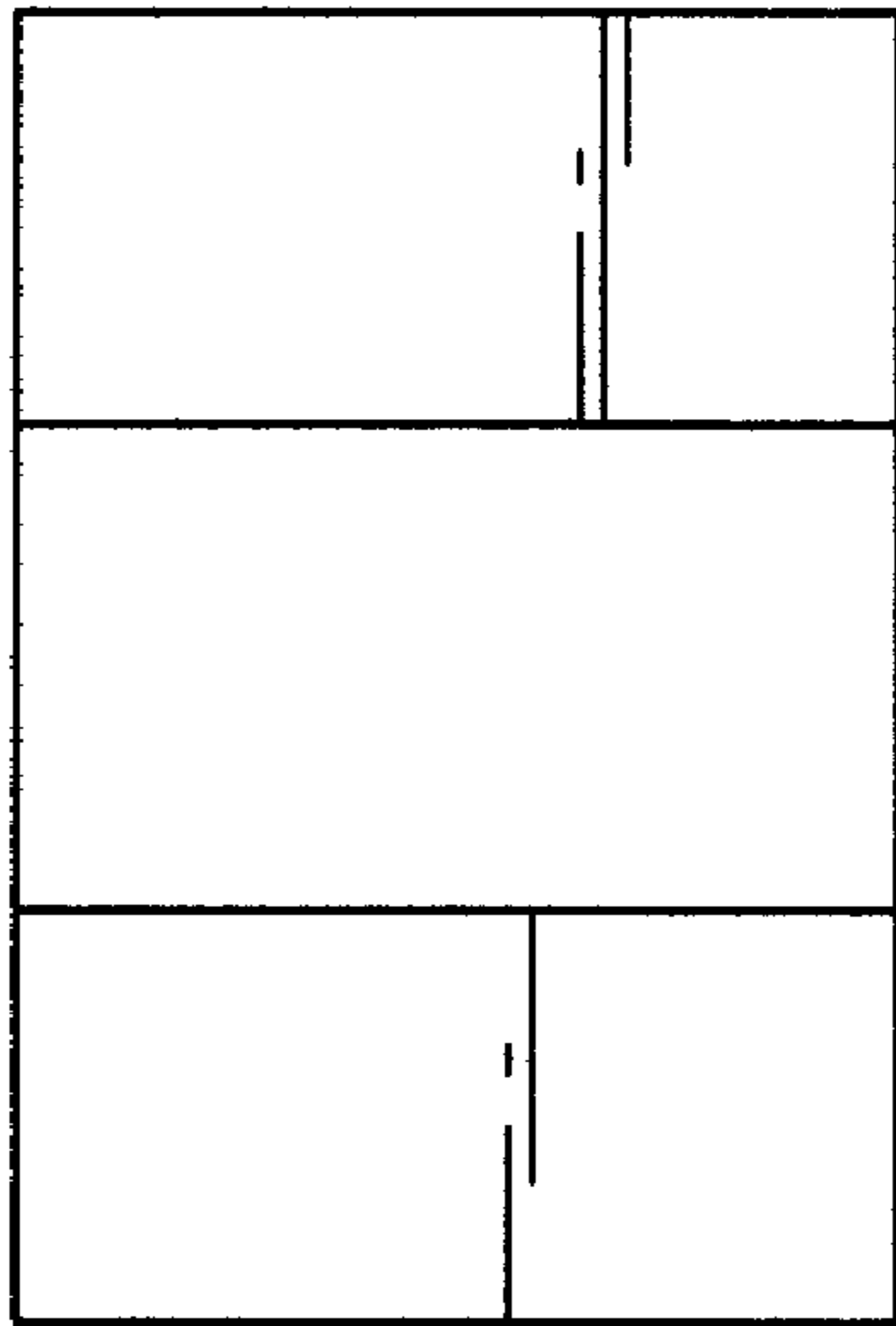


FIG. 4

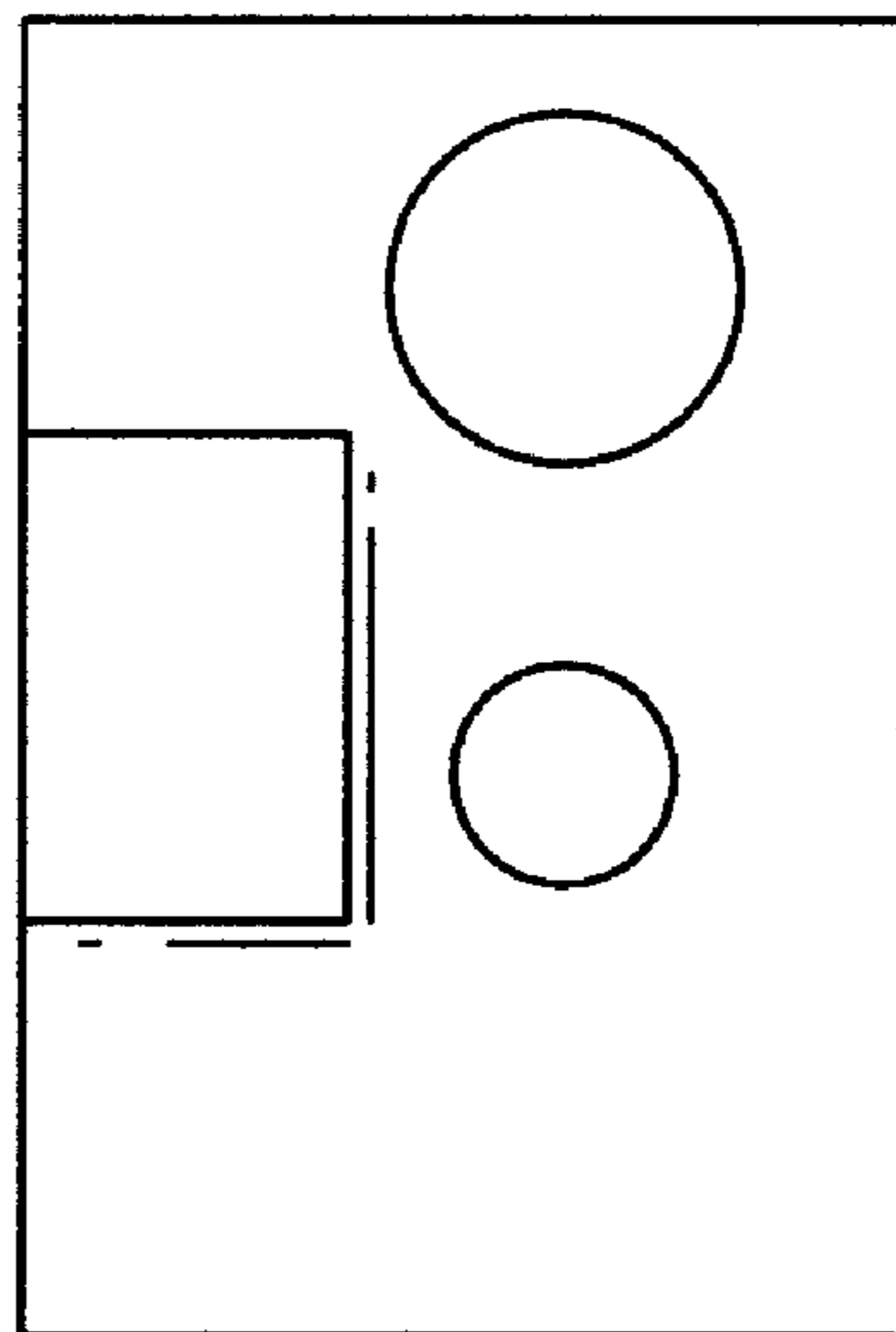


FIG. 5

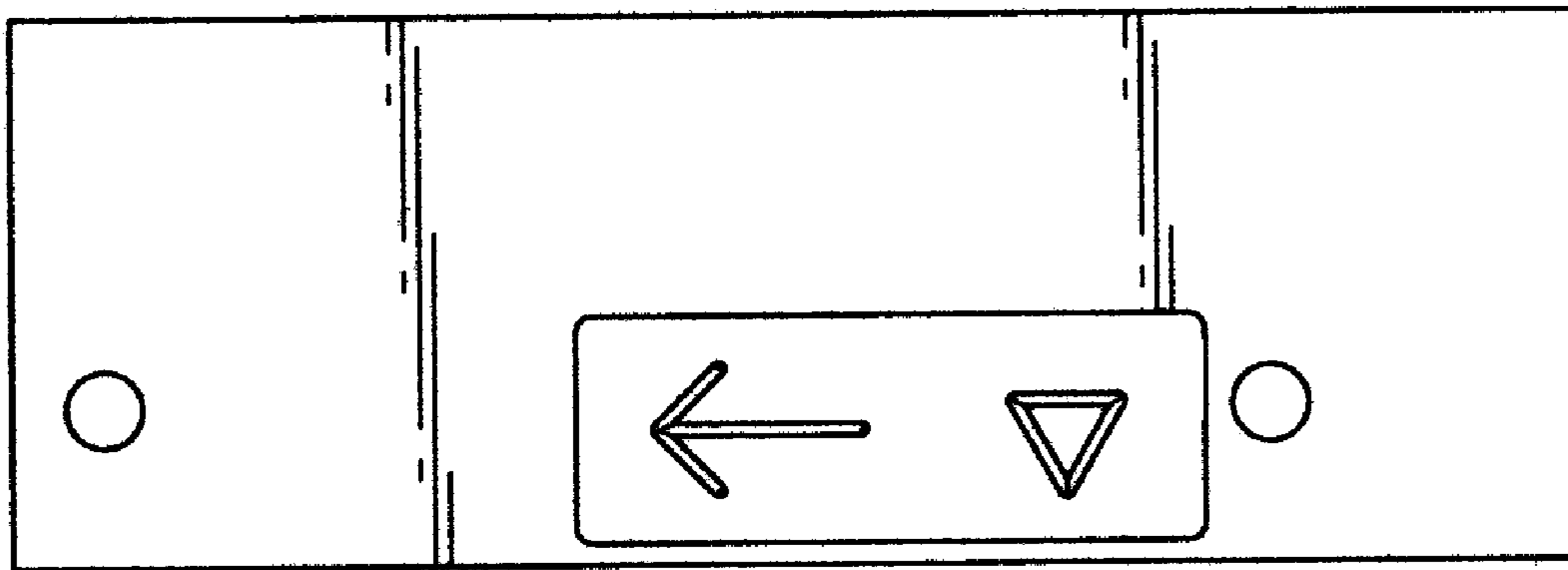


FIG. 6

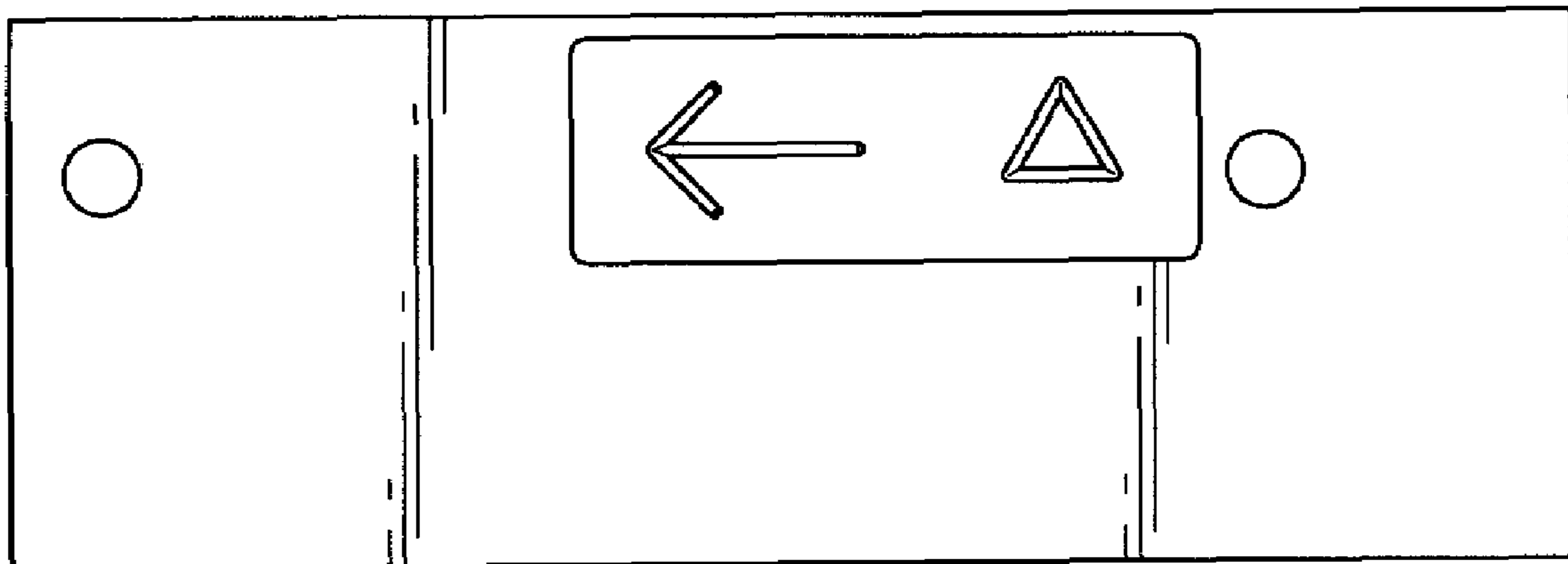


FIG. 7