



US00D565971S

(12) **United States Design Patent**
Peraldi

(10) **Patent No.:** **US D565,971 S**

(45) **Date of Patent:** **** Apr. 8, 2008**

(54) **WATCH**

(75) **Inventor:** **Alexandre Peraldi**, Annemasse (FR)

(73) **Assignee:** **Richemont International SA**,
Villars-sur-Glane (CH)

(**) **Term:** **14 Years**

(21) **Appl. No.:** **29/295,305**

(22) **Filed:** **Sep. 26, 2007**

(30) **Foreign Application Priority Data**

Mar. 30, 2007 (WO) DM/068 759

(51) **LOC (8) Cl.** **10-02**

(52) **U.S. Cl.** **D10/39**

(58) **Field of Classification Search** D10/30-39;
368/276, 277, 281, 282, 285, 80, 223, 228,
368/232

See application file for complete search history.

(56) **References Cited**

U.S. PATENT DOCUMENTS

D268,332 S *	3/1983	Weil	D10/32
D286,621 S *	11/1986	Perrin	D10/32
D287,470 S *	12/1986	Houlihan	D10/30
D302,797 S *	8/1989	Glauser	D10/32
D308,945 S *	7/1990	Bonnet	D10/32

D313,940 S *	1/1991	Bonnet	D10/32
D365,286 S *	12/1995	Florian	D10/32
D380,690 S *	7/1997	Riley	D10/30
D396,194 S *	7/1998	Bruce	D10/31
D464,274 S *	10/2002	Strasser	D10/32
D545,910 S *	7/2007	Peraldi	D10/32
D548,622 S *	8/2007	Salemi	D10/32
D555,015 S *	11/2007	Parmigiani	D10/38

* cited by examiner

Primary Examiner—Lucy Lieberman

(74) *Attorney, Agent, or Firm*—Young & Thompson

(57) **CLAIM**

The ornamental design for a watch, as shown and described.

DESCRIPTION

FIG. 1 is a front elevation of a watch showing my new design;

FIG. 2 is a rear elevation thereof;

FIG. 3 is a right side view thereof;

FIG. 4 is a left side view thereof;

FIG. 5 is a bottom plan view thereof;

FIG. 6 is a top plan view thereof; and,

FIG. 7 is a bottom, front and right side perspective view thereof.

1 Claim, 1 Drawing Sheet

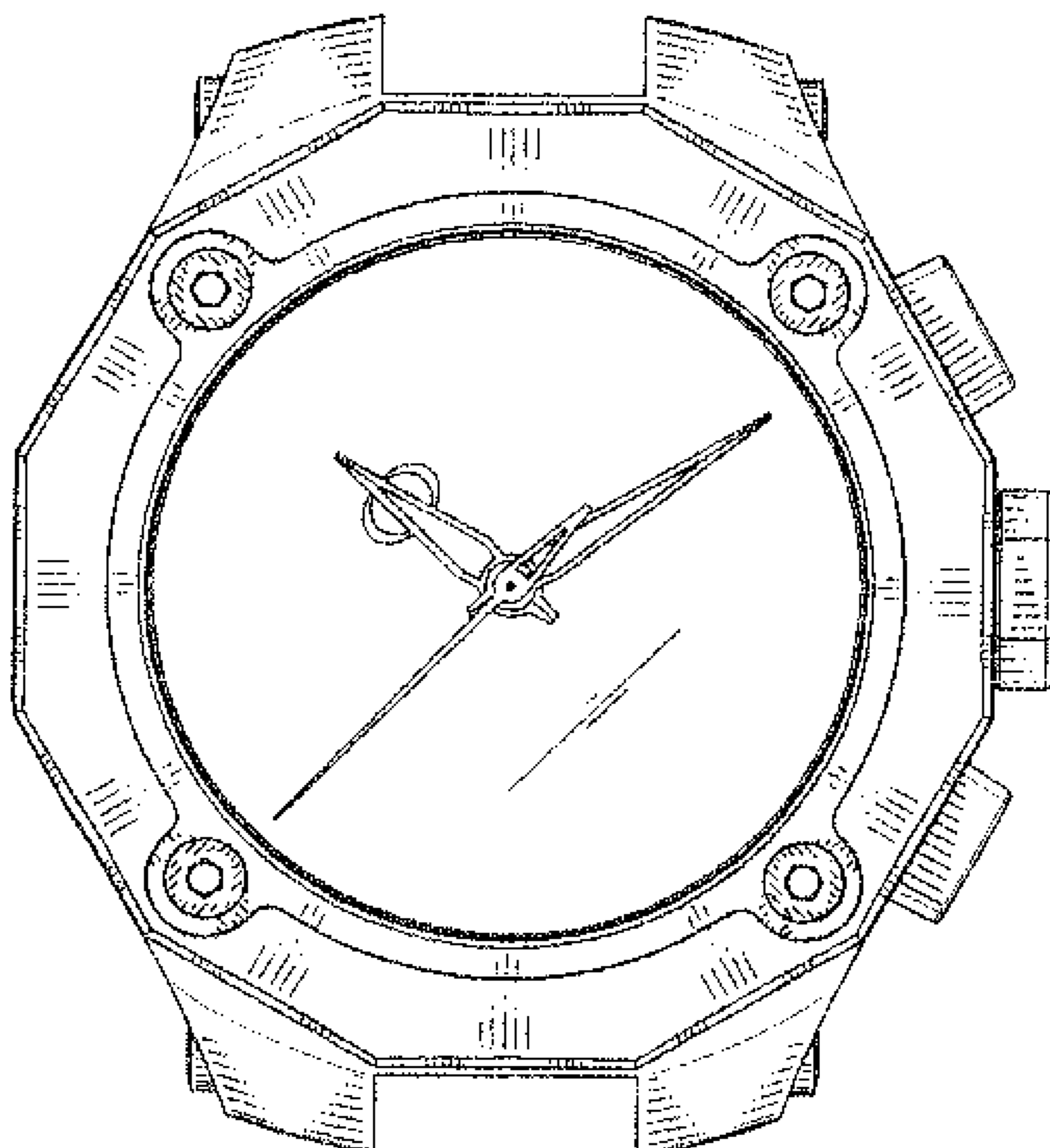


fig.1

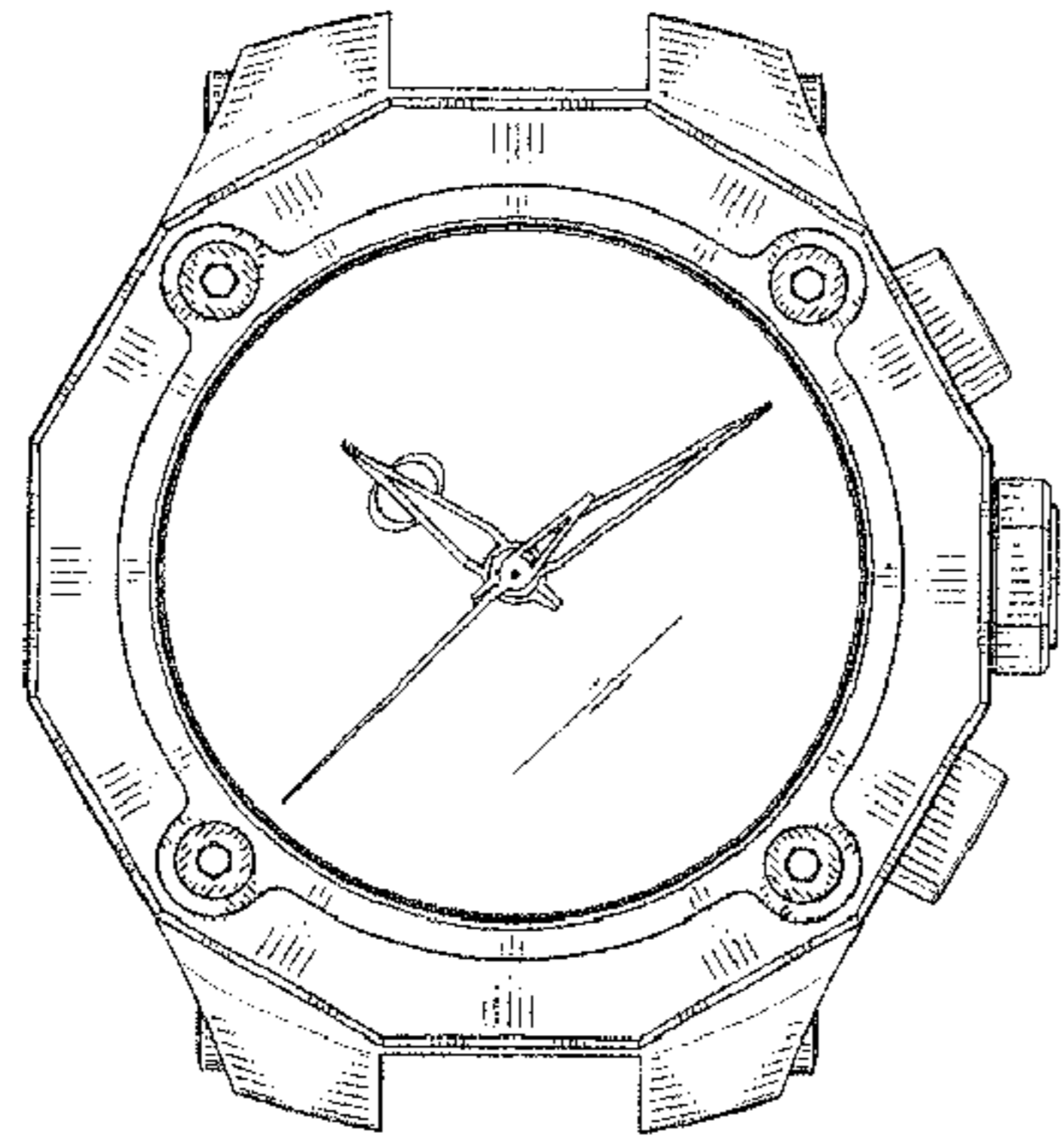


fig.2

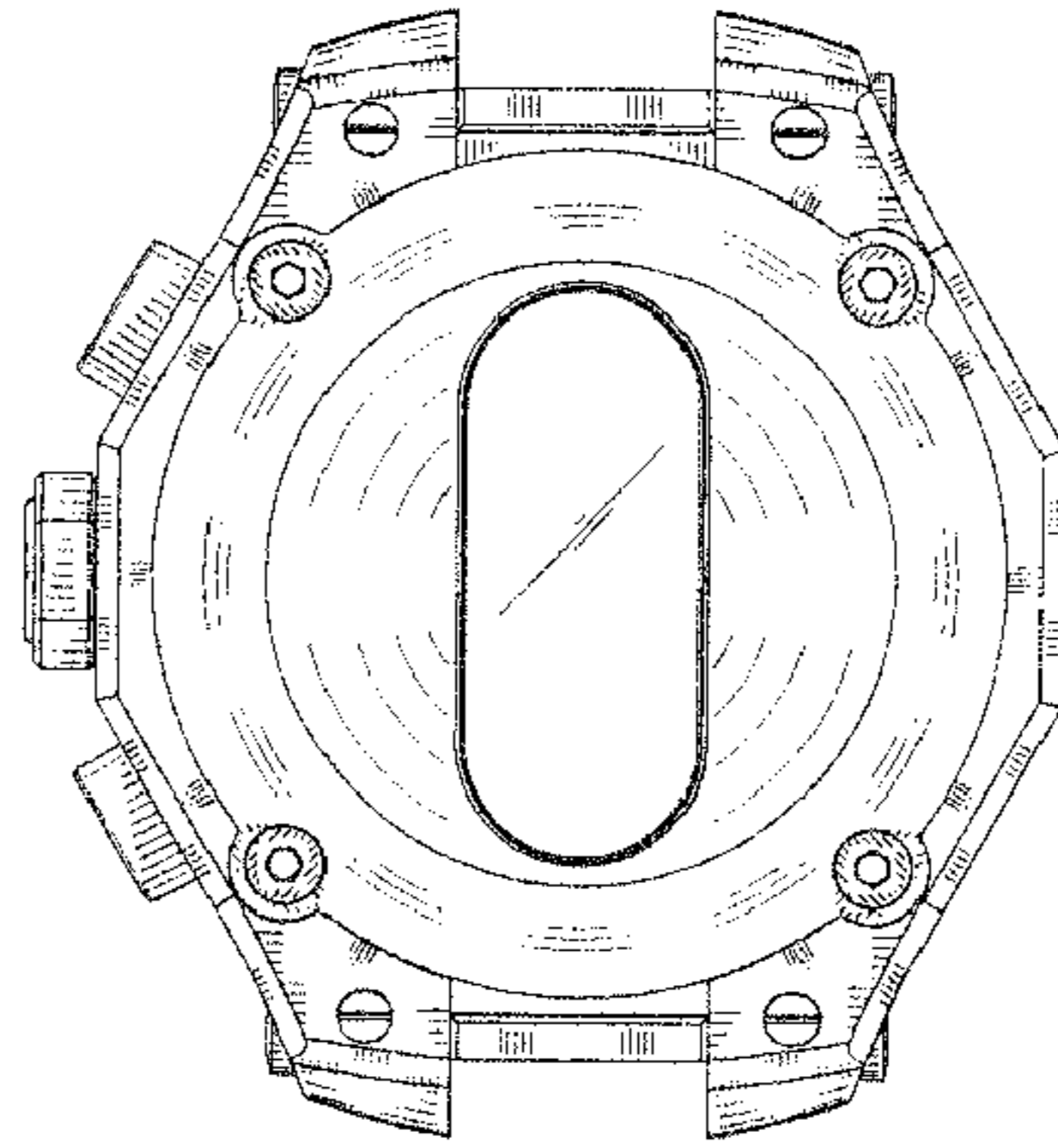


fig.3

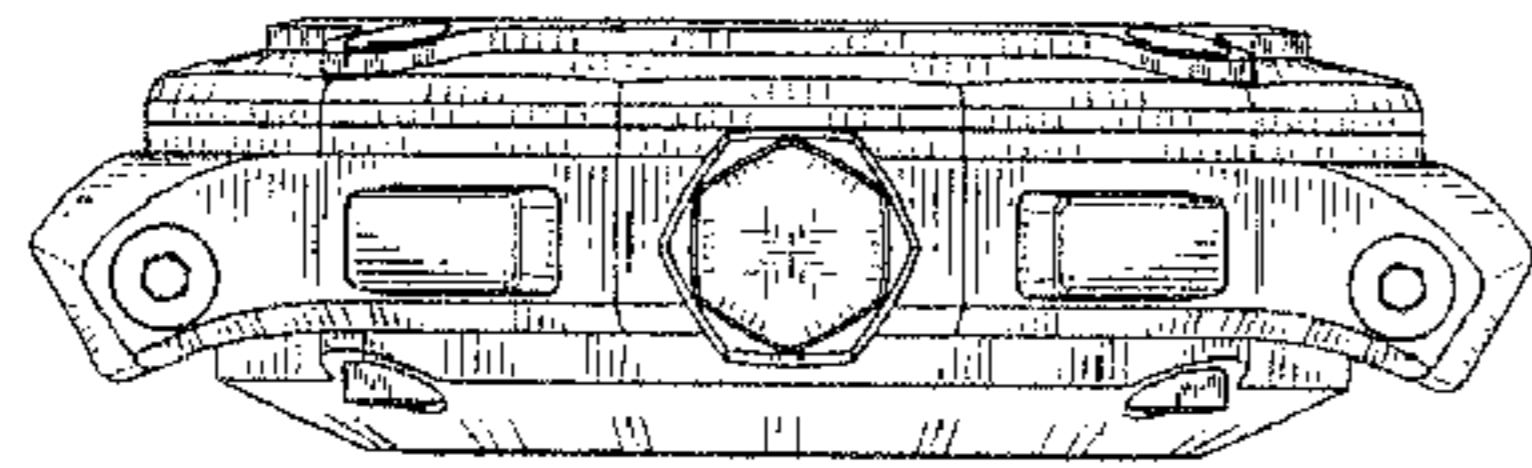


fig.4

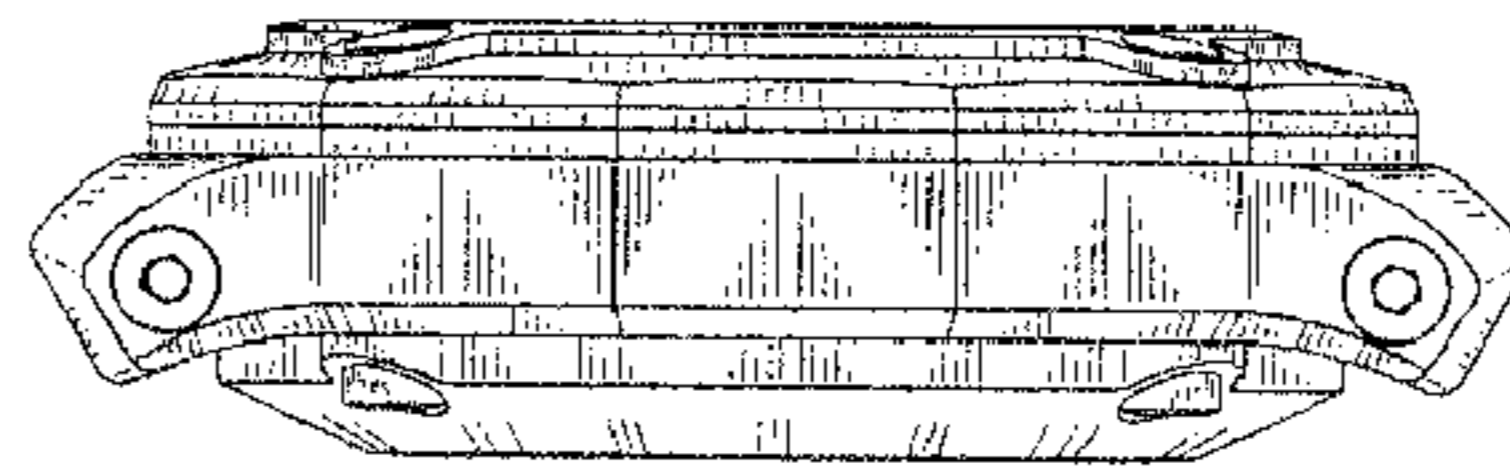


fig.5

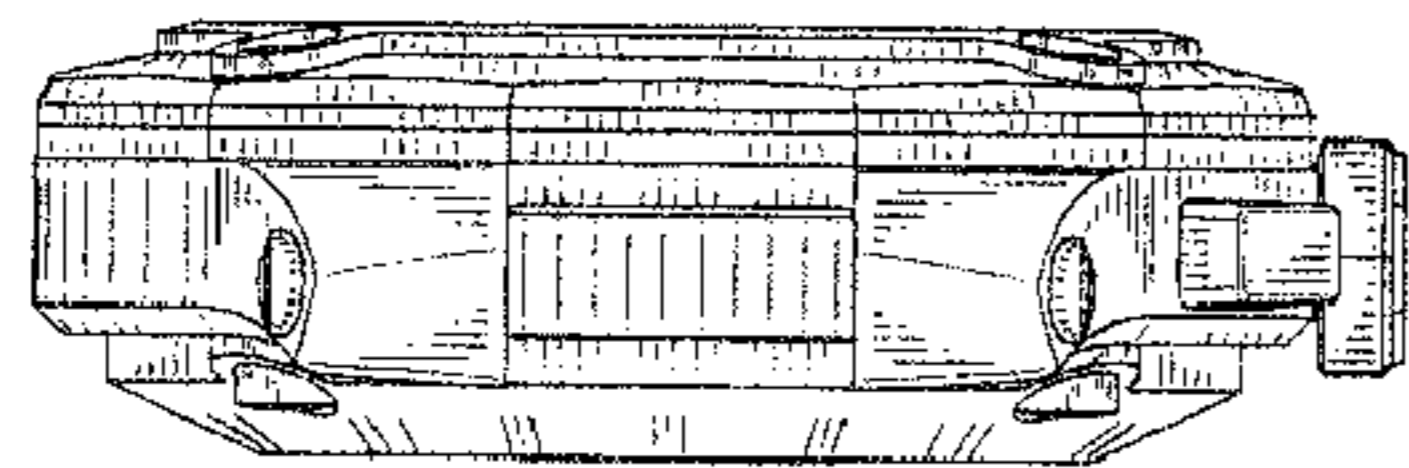


fig.6

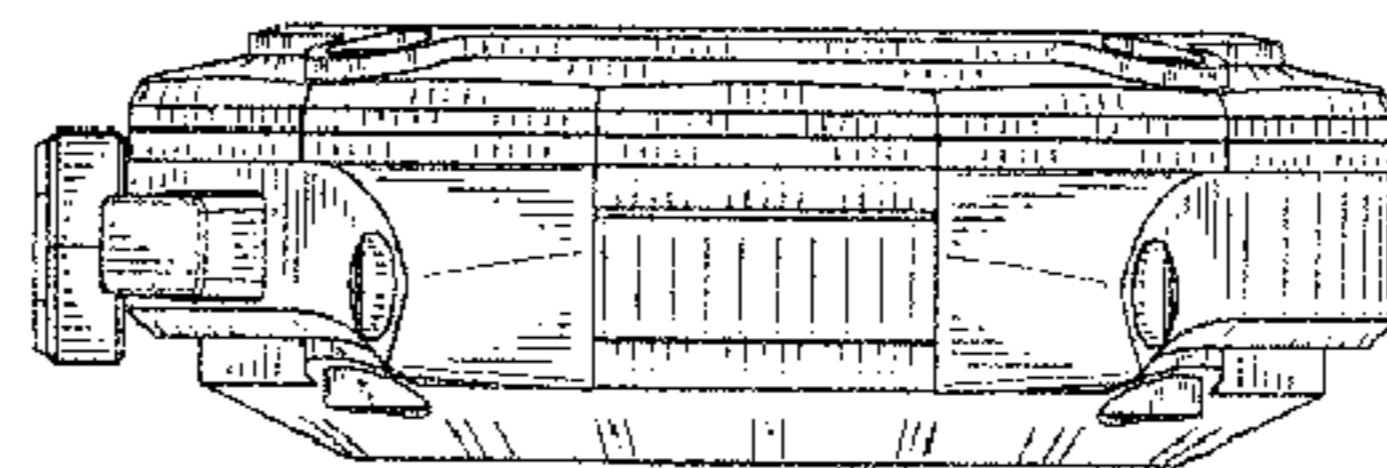


fig.7

