



US00D565963S

(12) **United States Design Patent**  
**Slimane**

(10) **Patent No.:** **US D565,963 S**

(45) **Date of Patent:** **\*\* Apr. 8, 2008**

(54) **FLASK FOR PERFUMERY PRODUCTS**

(75) Inventor: **Hedi Slimane**, Paris (FR)

(73) Assignee: **Parfums Christian Dior**, Paris (FR)

(\*\*) Term: **14 Years**

(21) Appl. No.: **29/231,139**

(22) Filed: **Jun. 2, 2005**

(30) **Foreign Application Priority Data**

Dec. 2, 2004 (FR) ..... 04 5816

(51) **LOC (8) Cl.** ..... **09-01**

(52) **U.S. Cl.** ..... **D9/687**

(58) **Field of Classification Search** ..... D9/694,  
D9/520, 560, 571-574, 682, 686, 687, 692;  
D23/266; D28/76, 85

See application file for complete search history.

(56) **References Cited**

**U.S. PATENT DOCUMENTS**

D90,558 S \* 8/1933 Tricard ..... D9/560  
D230,828 S \* 3/1974 Jeruchim ..... D9/529  
D324,820 S \* 3/1992 Hayman et al. .... D9/544  
D420,596 S \* 2/2000 Maddy ..... D9/560

D426,774 S \* 6/2000 Jauffret ..... D9/520  
D453,106 S \* 1/2002 Peltrault ..... D9/687  
D484,789 S \* 1/2004 Sgariboldi ..... D9/694  
D484,790 S \* 1/2004 Sgariboldi ..... D9/694  
D484,792 S \* 1/2004 Sgariboldi ..... D9/694

\* cited by examiner

*Primary Examiner*—Stella M. Reid

*Assistant Examiner*—Rashida C. McCoy

(74) *Attorney, Agent, or Firm*—Sughrue Mion, PLLC

(57) **CLAIM**

The ornamental design for a flask for perfumery products, as shown.

**DESCRIPTION**

FIG. 1 is a perspective view of a flask showing my new design;

FIG. 2 is a bottom view thereof;

FIG. 3 is a first side view thereof;

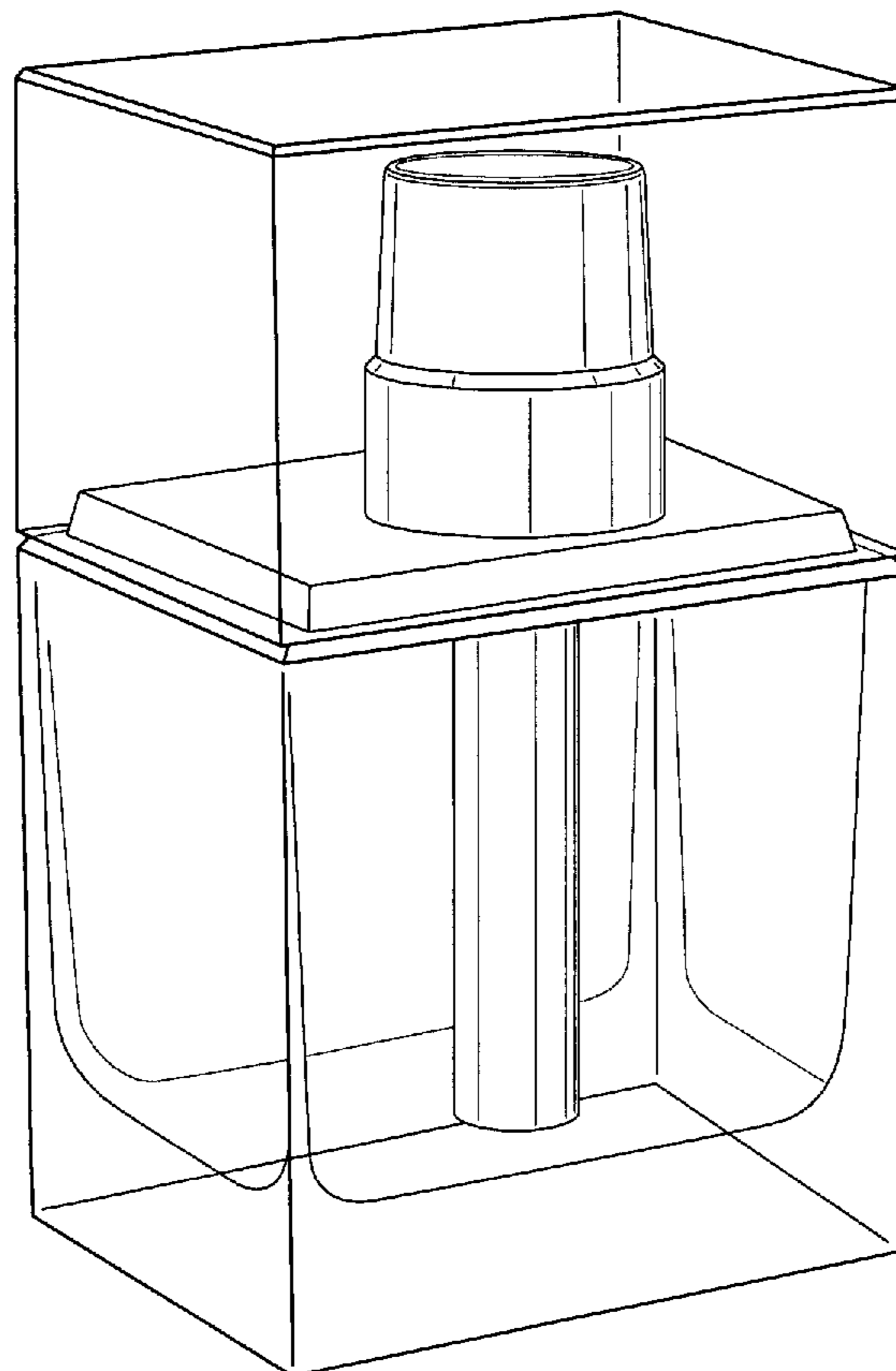
FIG. 4 is a top view thereof;

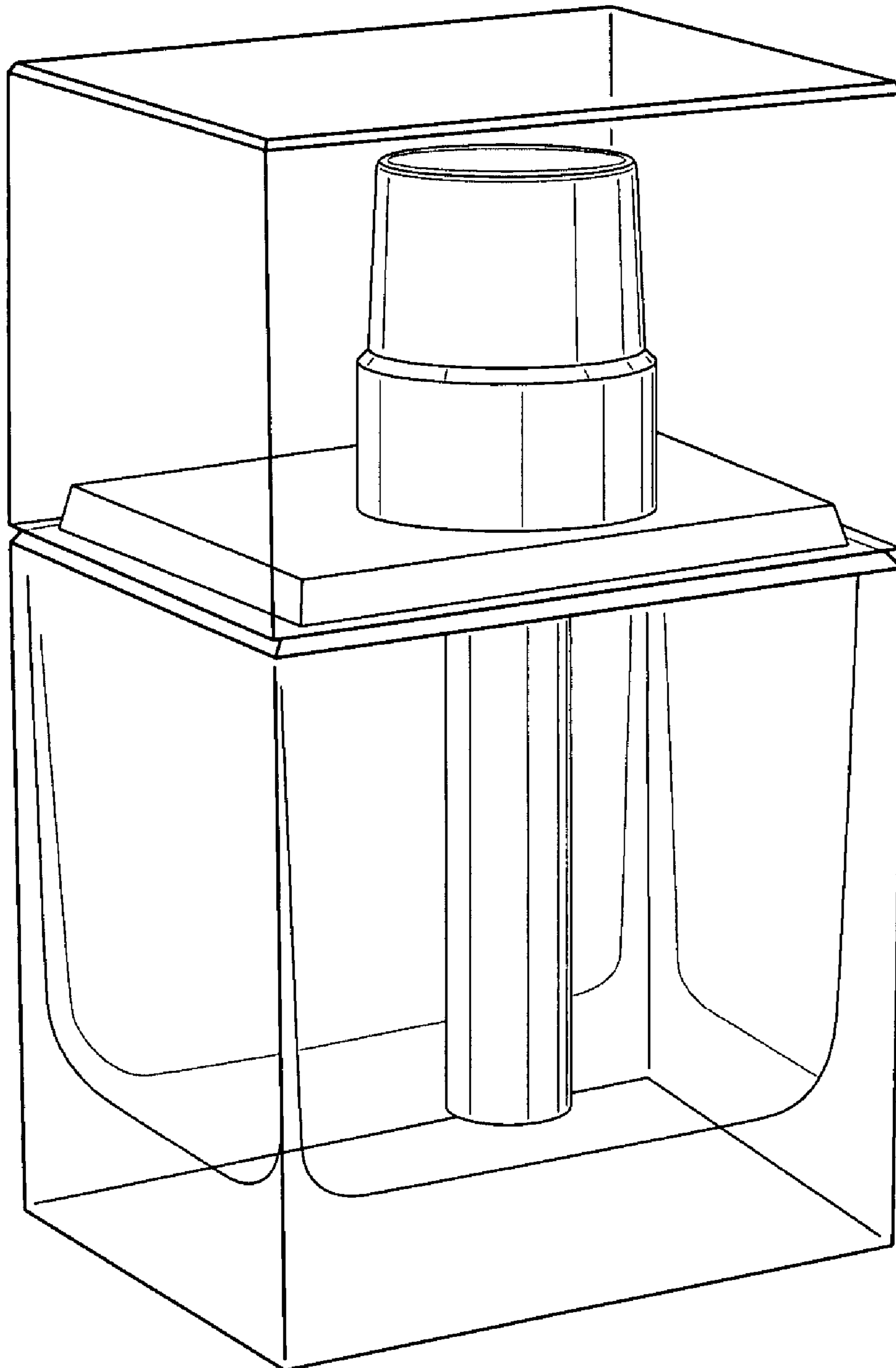
FIG. 5 is a second side view thereof;

FIG. 6 is a third side view thereof; and,

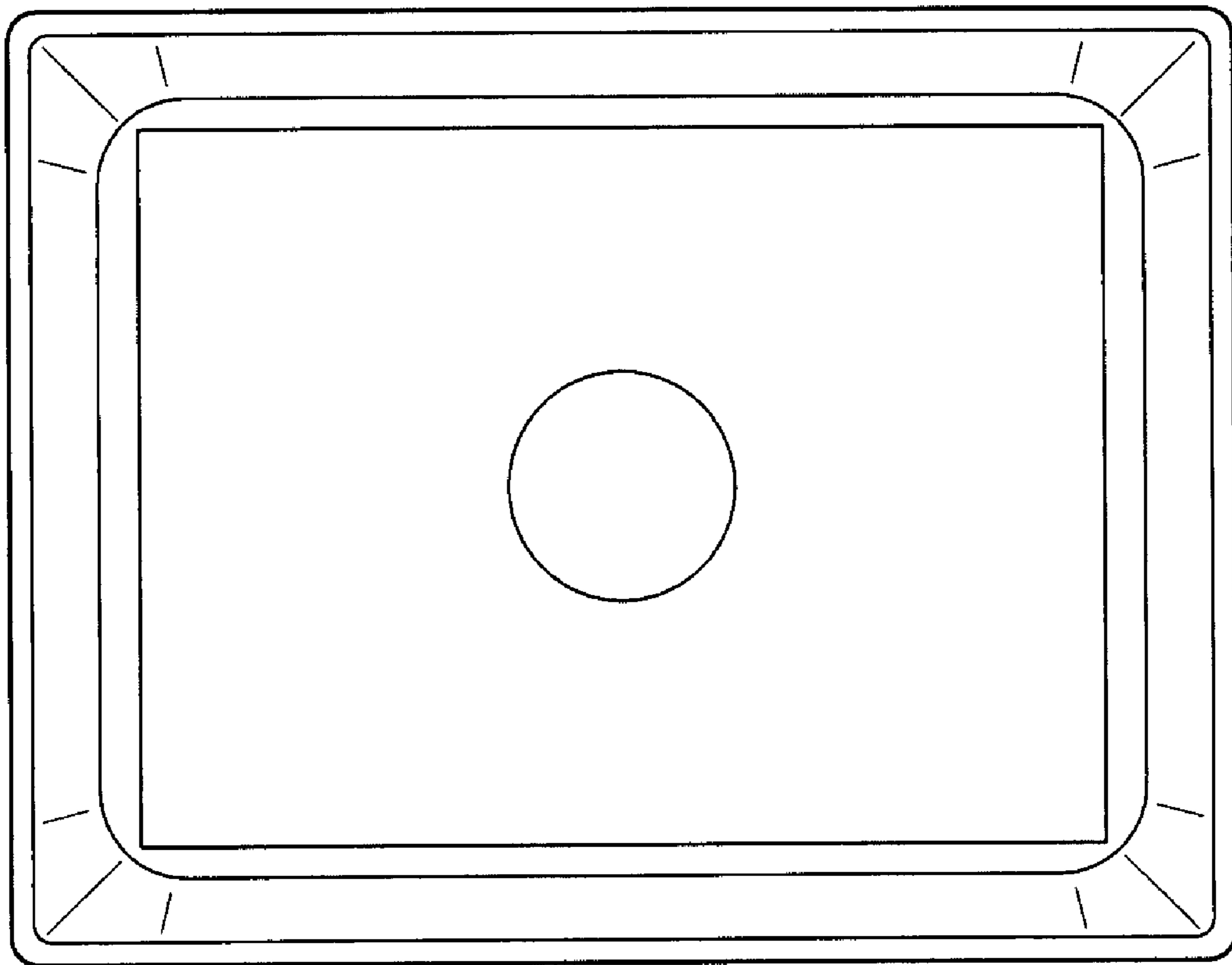
FIG. 7 is a fourth side view.

**1 Claim, 7 Drawing Sheets**

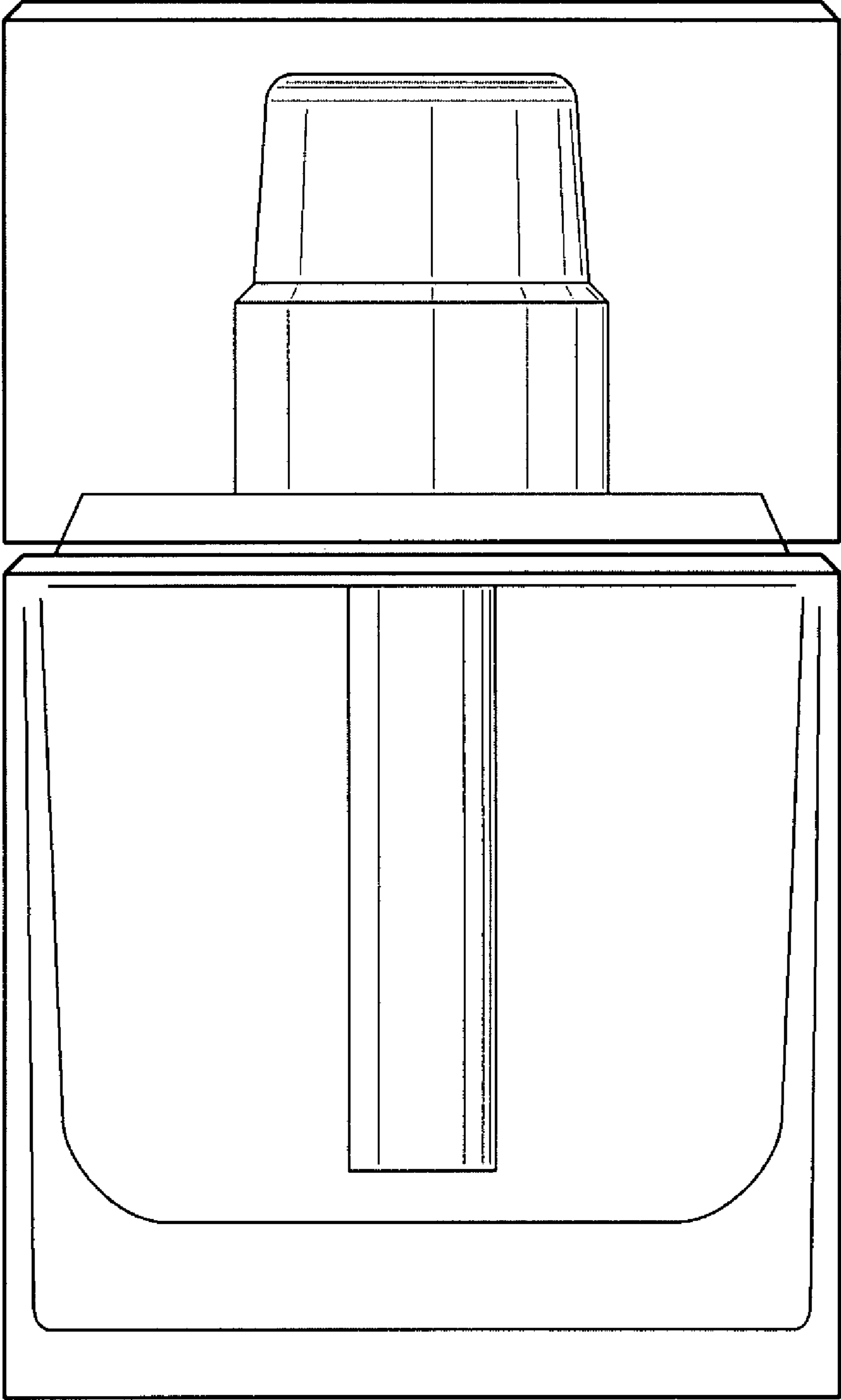




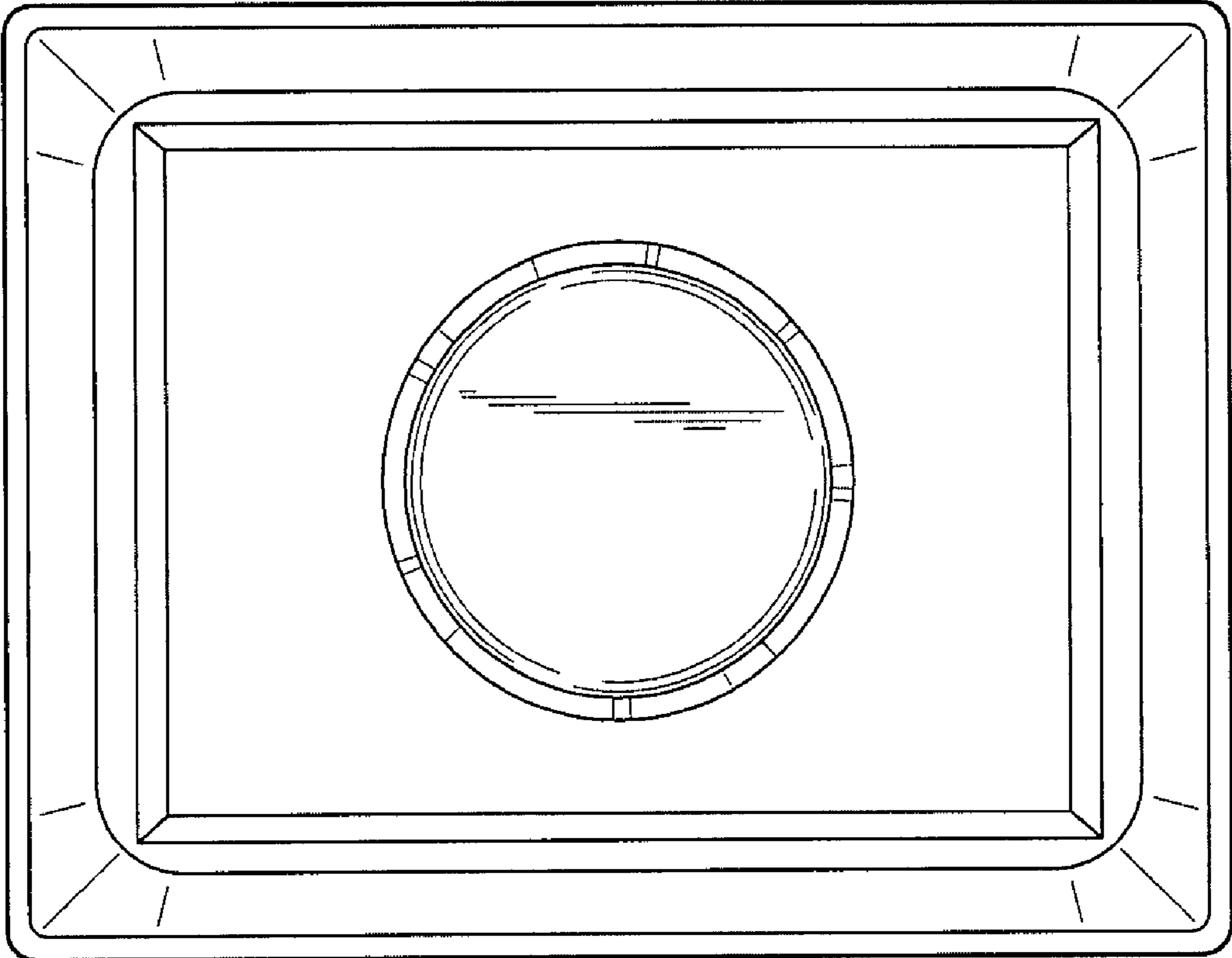
***Fig. 1***



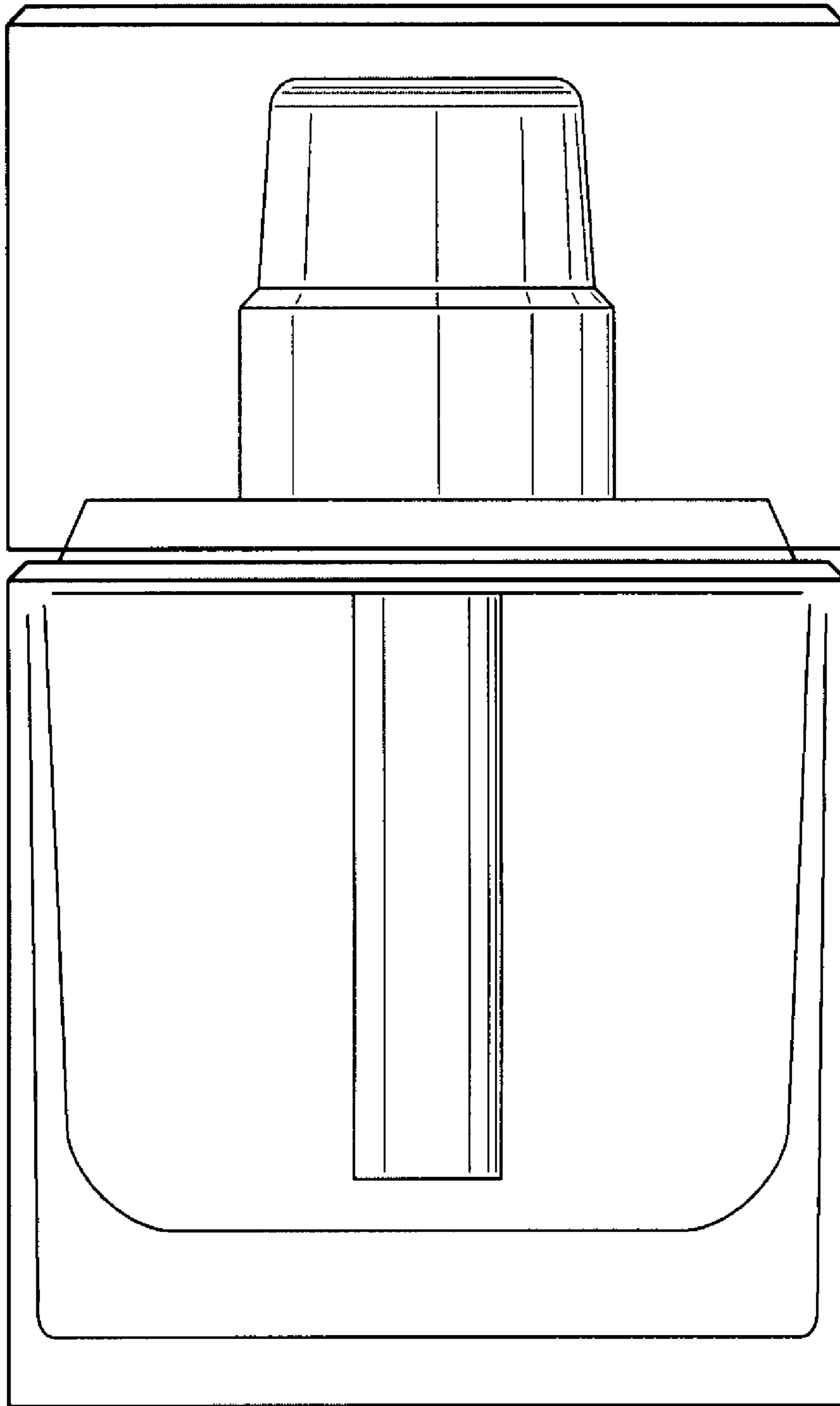
***Fig. 2***



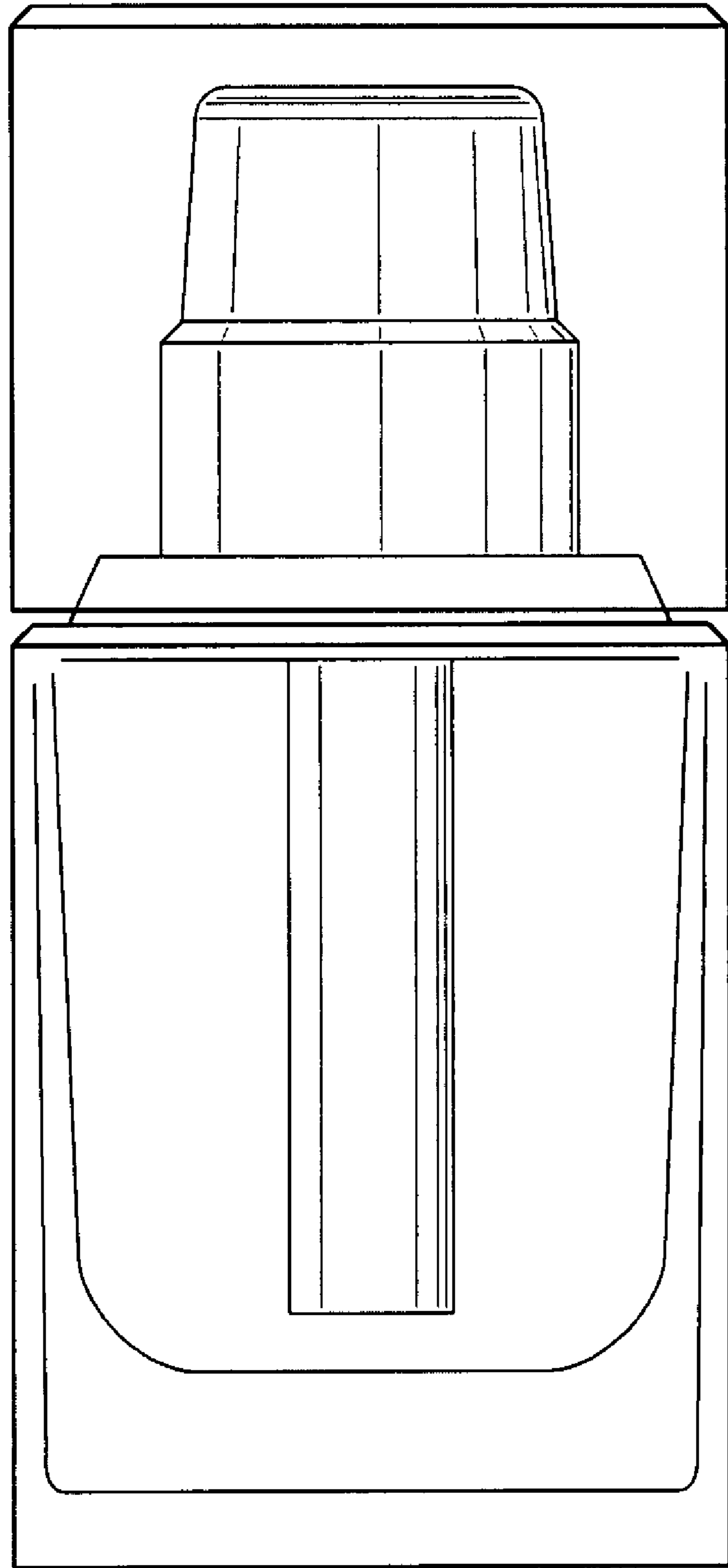
***Fig. 3***



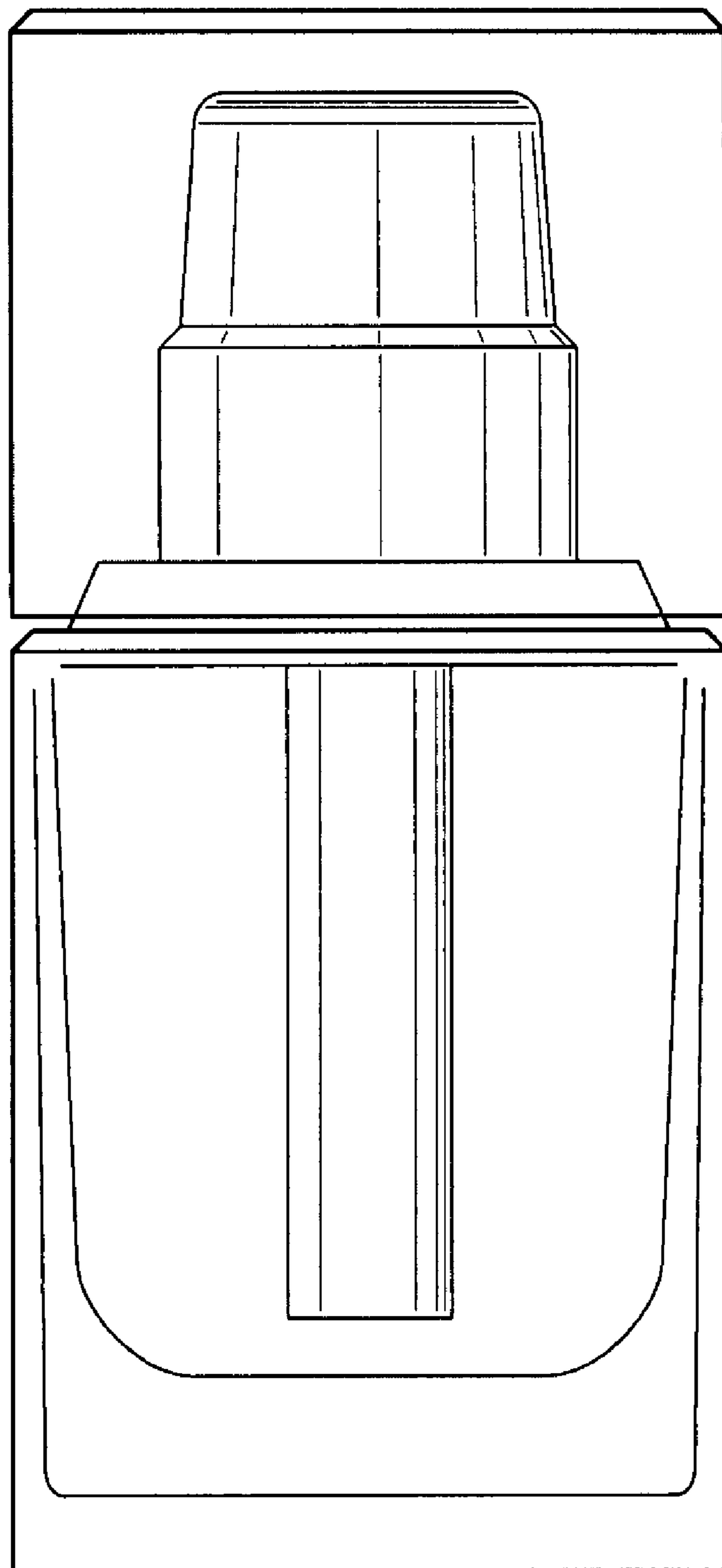
**Fig. 4**



***Fig. 5***



***Fig. 6***



***Fig. 7***