



US00D565951S

(12) **United States Design Patent**
Sandford

(10) **Patent No.:** **US D565,951 S**

(45) **Date of Patent:** **** Apr. 8, 2008**

(54) **SLOTTED DISK**

(75) Inventor: **Peter E. Sandford**, London (CA)

(73) Assignee: **Die-X-Limited**, London, Ontario (CA)

(**) Term: **14 Years**

(21) Appl. No.: **29/249,381**

(22) Filed: **Oct. 4, 2006**

(30) **Foreign Application Priority Data**

Sep. 7, 2006 (CA) 117350

(51) **LOC (8) Cl.** **09-07**

(52) **U.S. Cl.** **D9/456**

(58) **Field of Classification Search** D9/414,
D9/415, 432, 433, 434, 455, 456; D6/315,
D6/513; D20/22, 27, 40, 42; 426/115, 307;
229/101, 103, 115, 902, 906, 942; 206/468,
206/469, 528-532, 534, 538, 551; 219/728-733,
219/759; D11/143; 242/405.1; 33/27.03;
310/254; 15/1.7; 47/32; 366/347
See application file for complete search history.

(56) **References Cited**

U.S. PATENT DOCUMENTS

D196,684 S * 10/1963 Weiss D9/456
D217,594 S * 5/1970 Bardell D9/456
D220,431 S * 4/1971 Arndt D9/456
D263,801 S * 4/1982 Lemberger D9/456
4,542,862 A * 9/1985 Romike et al. 242/405.1

D311,339 S * 10/1990 Weed D9/456
D315,309 S * 3/1991 Baughman D9/456
D318,235 S * 7/1991 Weed D9/456
5,125,161 A * 6/1992 Guthrie 33/27.03
D345,502 S * 3/1994 Clar D9/456
5,397,953 A * 3/1995 Cho 310/254
5,418,995 A * 5/1995 Rice et al. 15/1.7
D437,557 S * 2/2001 Ingelin et al. D9/456
D445,029 S * 7/2001 Niknafs D9/456
D463,745 S * 10/2002 Hausen D9/456
6,705,044 B2 * 3/2004 Clancey 47/32
D511,096 S * 11/2005 Demaggio D9/456
D512,915 S * 12/2005 Demaggio D9/456
D538,656 S * 3/2007 Brooks D9/456
D551,079 S * 9/2007 Brooks D9/456
2004/0213085 A1 * 10/2004 Estes 366/347

* cited by examiner

Primary Examiner—T. Chase Nelson

Assistant Examiner—Barbara B Lohr

(74) *Attorney, Agent, or Firm*—Shin Hung; Borden Ladner Gervais LLP

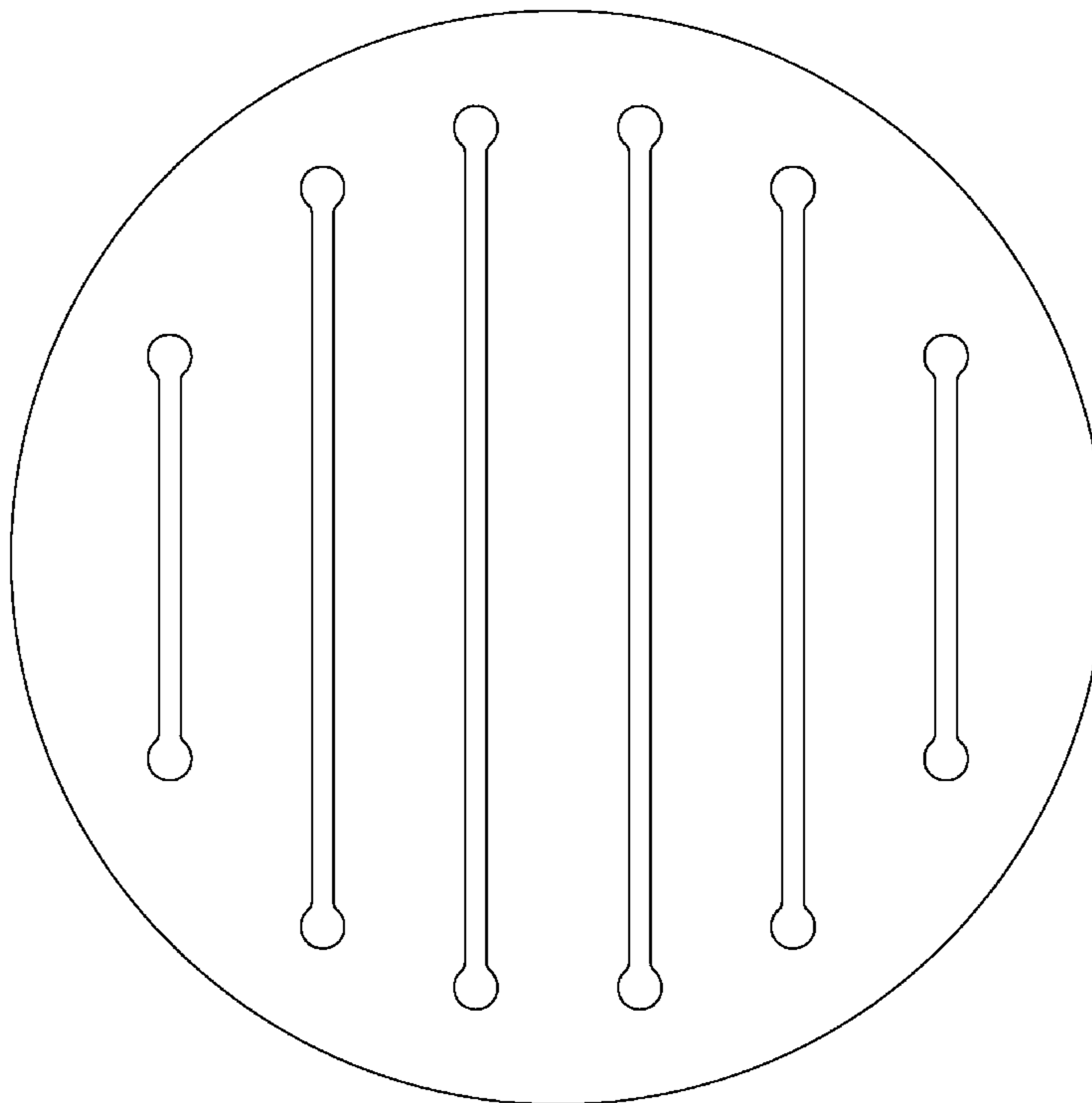
(57) **CLAIM**

The ornamental design for a slotted disk, as shown and described.

DESCRIPTION

FIG. 1 illustrates a front planar view of the slotted disk; and, FIG. 2 illustrates a front isometric view of the slotted disk of FIG. 1.

1 Claim, 2 Drawing Sheets



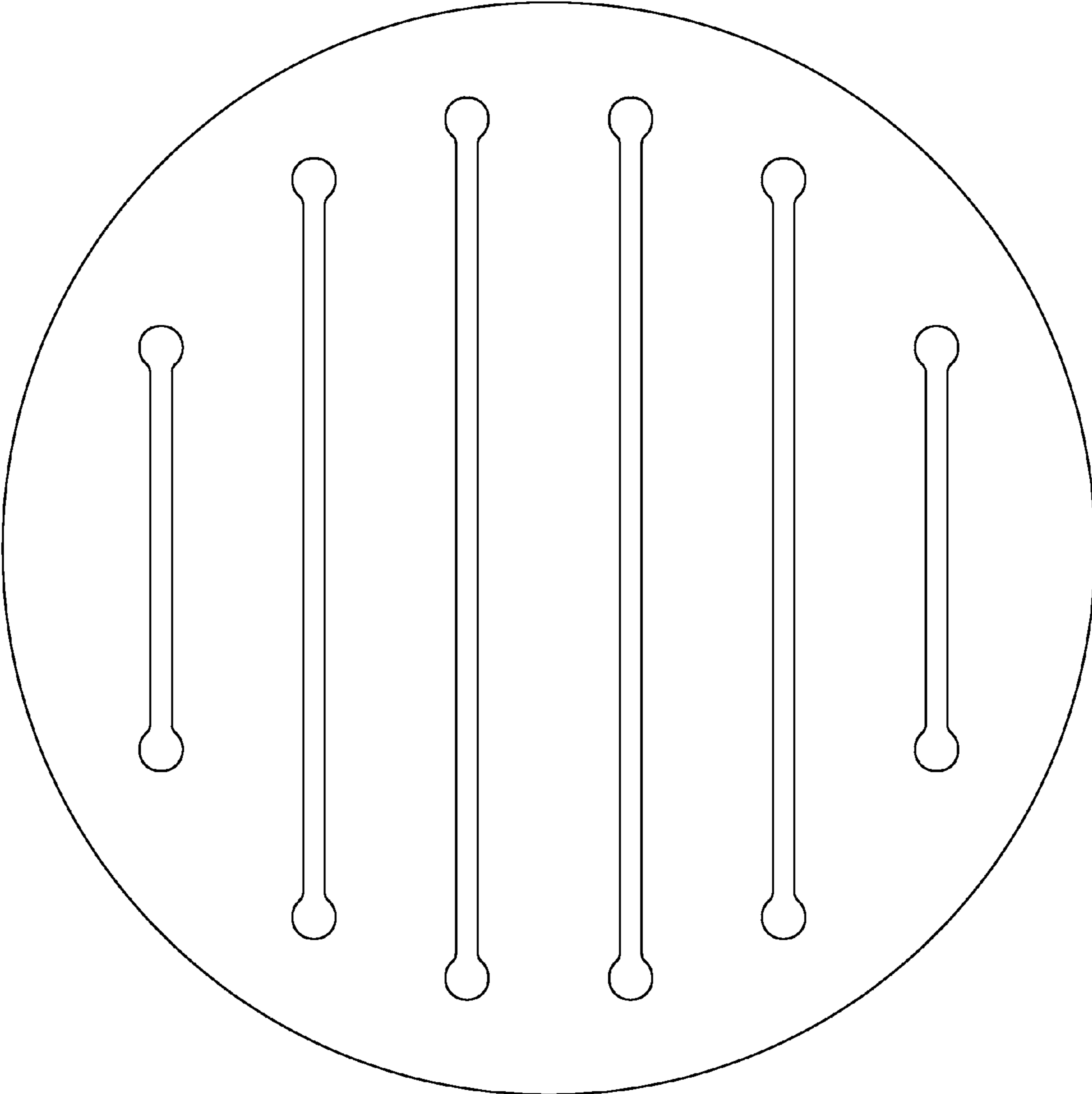


Figure 1

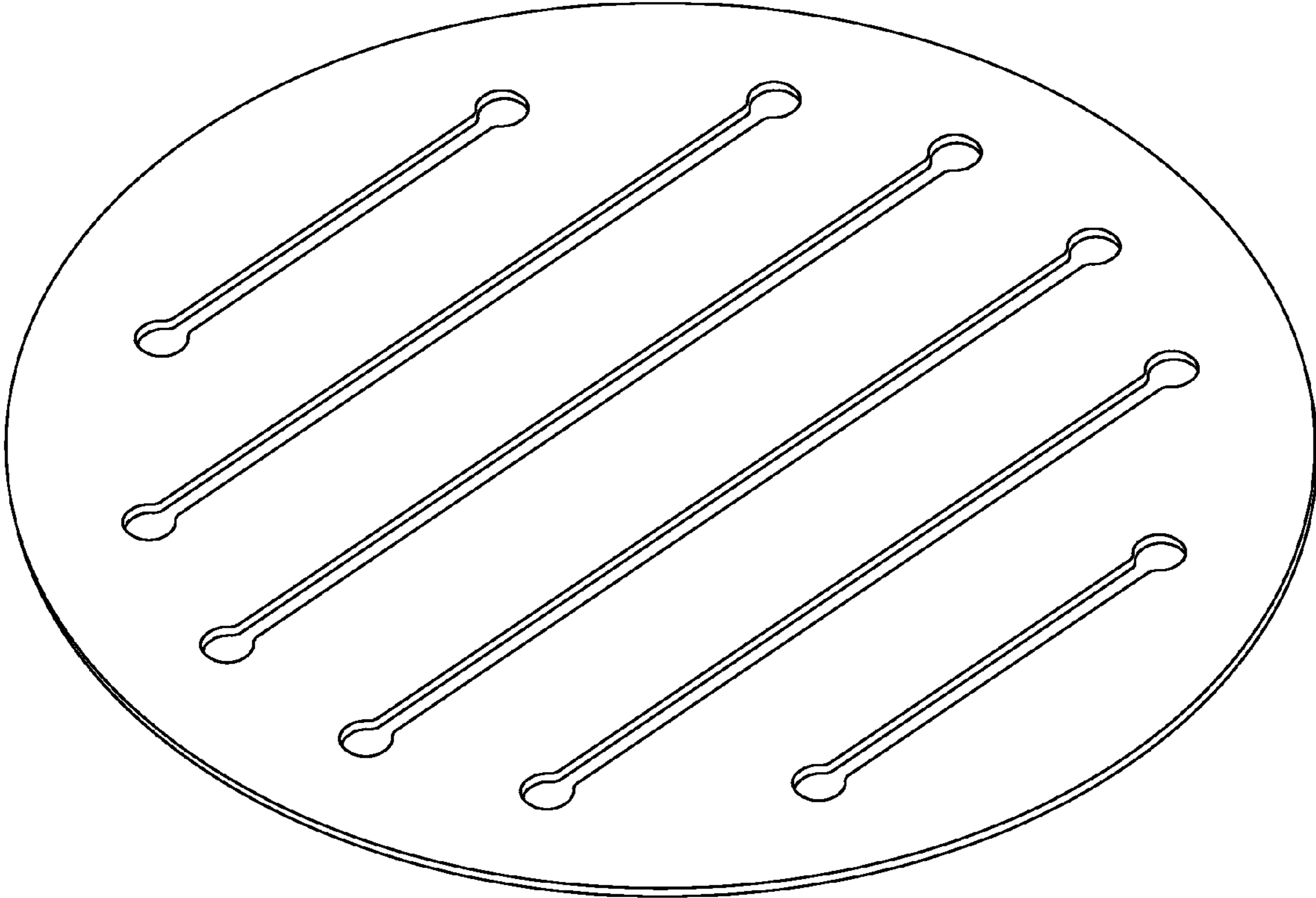


Figure 2