

US00D565948S

(12) **United States Design Patent**  
**Maas et al.**

(10) **Patent No.:** **US D565,948 S**  
(45) **Date of Patent:** **\*\* Apr. 8, 2008**

(54) **SPRAY DISPENSER**

EP 1 050 478 B1 11/2000

(75) Inventors: **Wilhelmus Johannes Maas**, Someren (NL); **Petrus Lambertus Hurkmans**, Someren (NL)

(73) Assignee: **AFA Polytek B.V.** (NL)

(\*\*) Term: **14 Years**

(21) Appl. No.: **29/286,286**

(22) Filed: **May 1, 2007**

**Related U.S. Application Data**

(62) Division of application No. 29/233,889, filed on Jul. 11, 2005.

(30) **Foreign Application Priority Data**

Jan. 11, 2005 (EM) ..... 271317-0001

(51) **LOC (8) Cl.** ..... **09-07**

(52) **U.S. Cl.** ..... **D9/448**

(58) **Field of Classification Search** ..... D9/685, D9/448, 447, 435, 434; D23/226, 223, 213; 239/459, 415, 414; D6/542; 222/341, 333  
See application file for complete search history.

(56) **References Cited**

**U.S. PATENT DOCUMENTS**

4,781,311 A	11/1988	Dunning et al.	
5,467,900 A	11/1995	Maas et al.	
5,730,335 A	3/1998	Maas et al.	
5,806,724 A	9/1998	Foster	
D421,388 S	3/2000	Cummings	
D454,787 S	3/2002	Cummings	
D456,262 S *	4/2002	Cummings	D9/448
D463,972 S	10/2002	Perrin et al.	
D495,399 S *	8/2004	Guala	D9/448
6,981,658 B2 *	1/2006	Streutker et al.	222/333
D521,864 S *	5/2006	Cartoni	D9/448

**FOREIGN PATENT DOCUMENTS**

EP 0208 390 A1 1/1987

**OTHER PUBLICATIONS**

Pump Cylinder with Integral Bayonet Closure, Research Disclosure, Kenneth Mason Publications, Hampshire, GB, No. 396, Apr. 1, 1997, pp. 268-269, XP000702452, ISSN: 0374-4353.

\* cited by examiner

*Primary Examiner*—Gary D. Watson  
*Assistant Examiner*—Susan Bennett Hattan

(74) *Attorney, Agent, or Firm*—Lerner, David, Littenberg, Krumholz & Mentlik, LLP

(57) **CLAIM**

The ornamental design for a spray dispenser, as shown and described.

**DESCRIPTION**

FIG. 1 is a bottom perspective view of a spray dispenser showing my new design;

FIG. 2 is a top perspective view of the spray dispenser of FIG. 1;

FIG. 3 is a right side elevational view of the spray dispenser of FIG. 1, the left side view being a mirror image of the right side;

FIG. 4 is a front elevational view of the spray dispenser of FIG. 1;

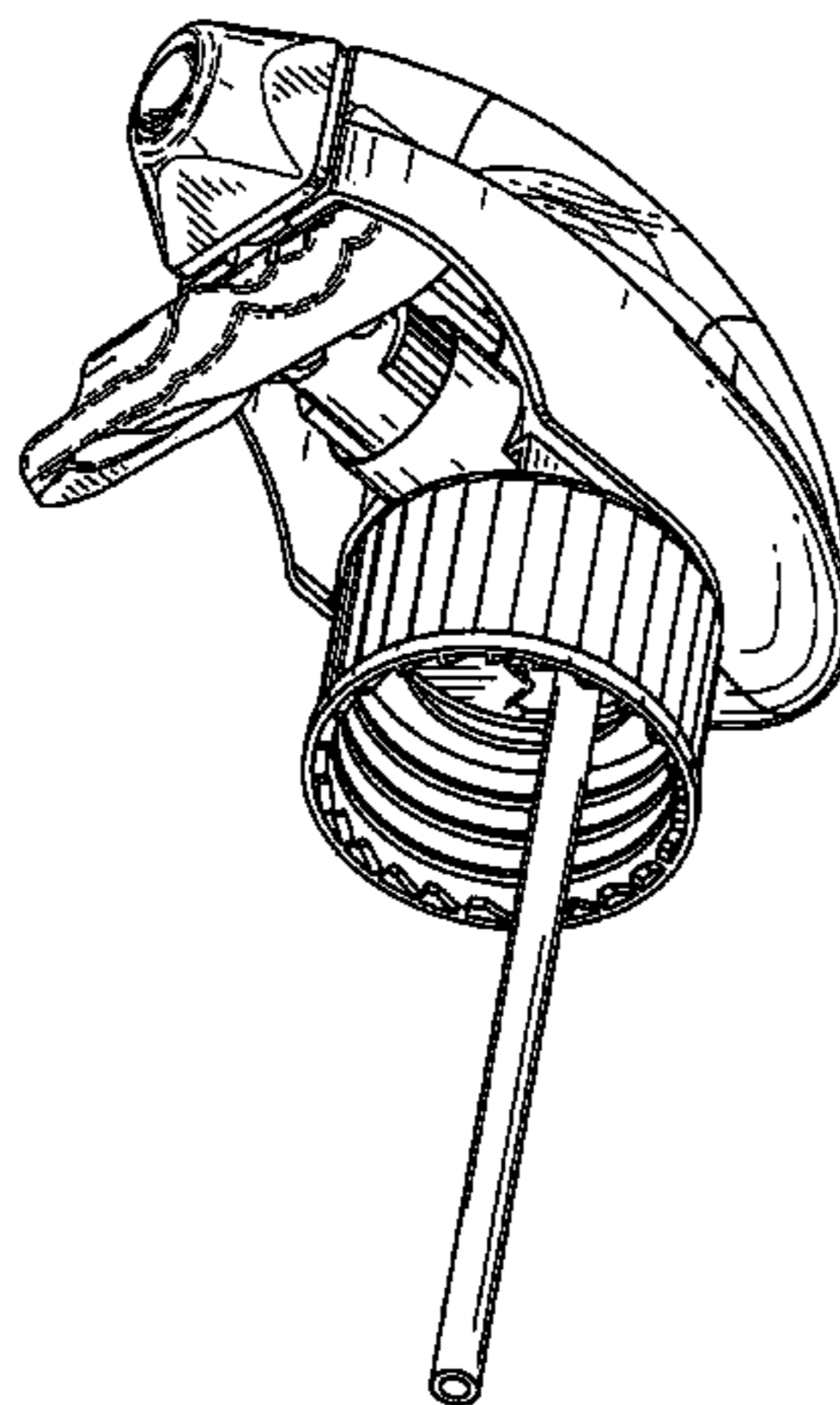
FIG. 5 is a back elevational view of the spray dispenser of FIG. 1;

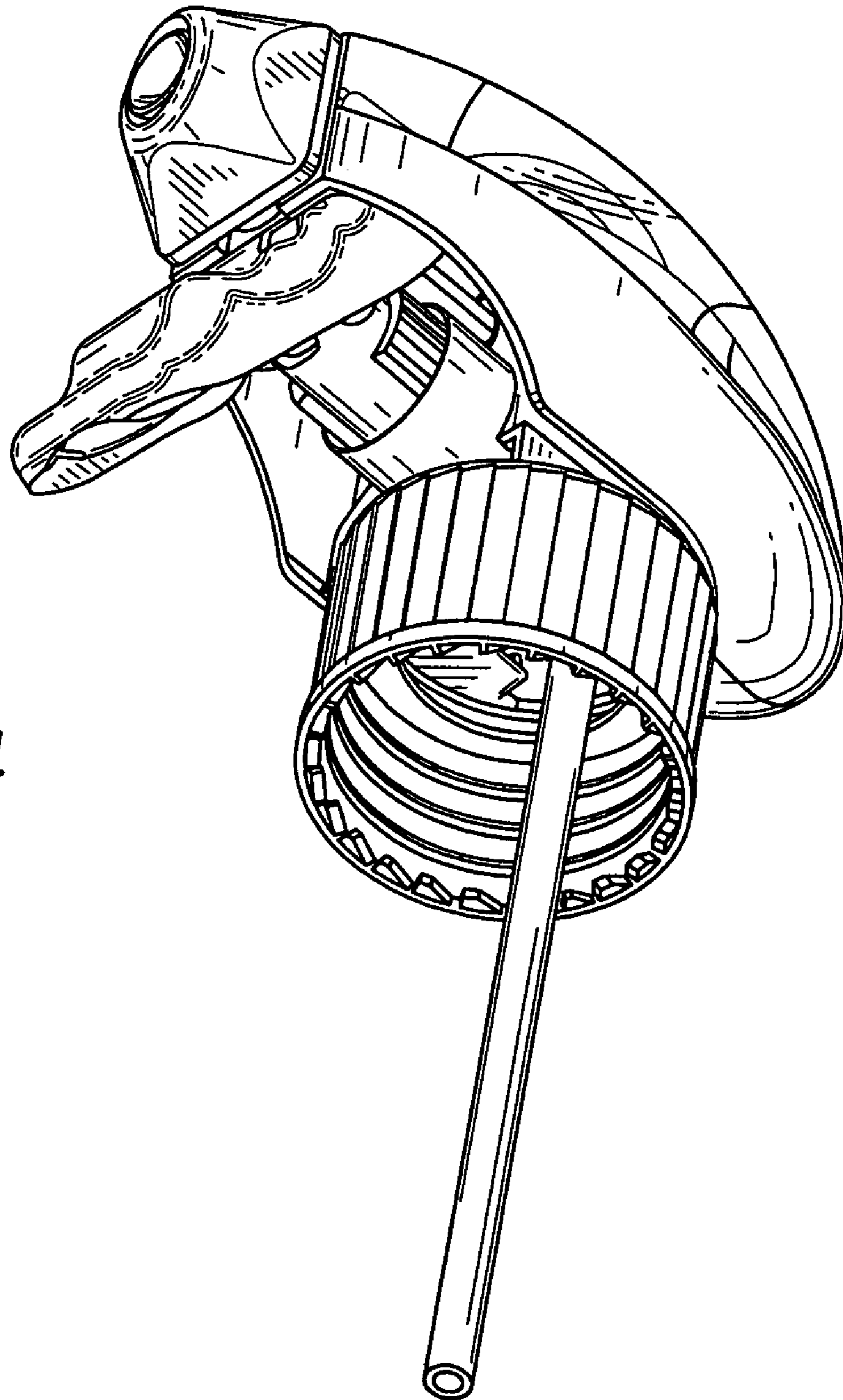
FIG. 6 is a top plan view of the spray dispenser of FIG. 1; and,

FIG. 7 is a bottom plan view of the spray dispenser of FIG. 1.

The dashed lines in FIG. 7 showing the internal structure of the spray dispenser depict environmental subject matter only and form no part of the claimed design.

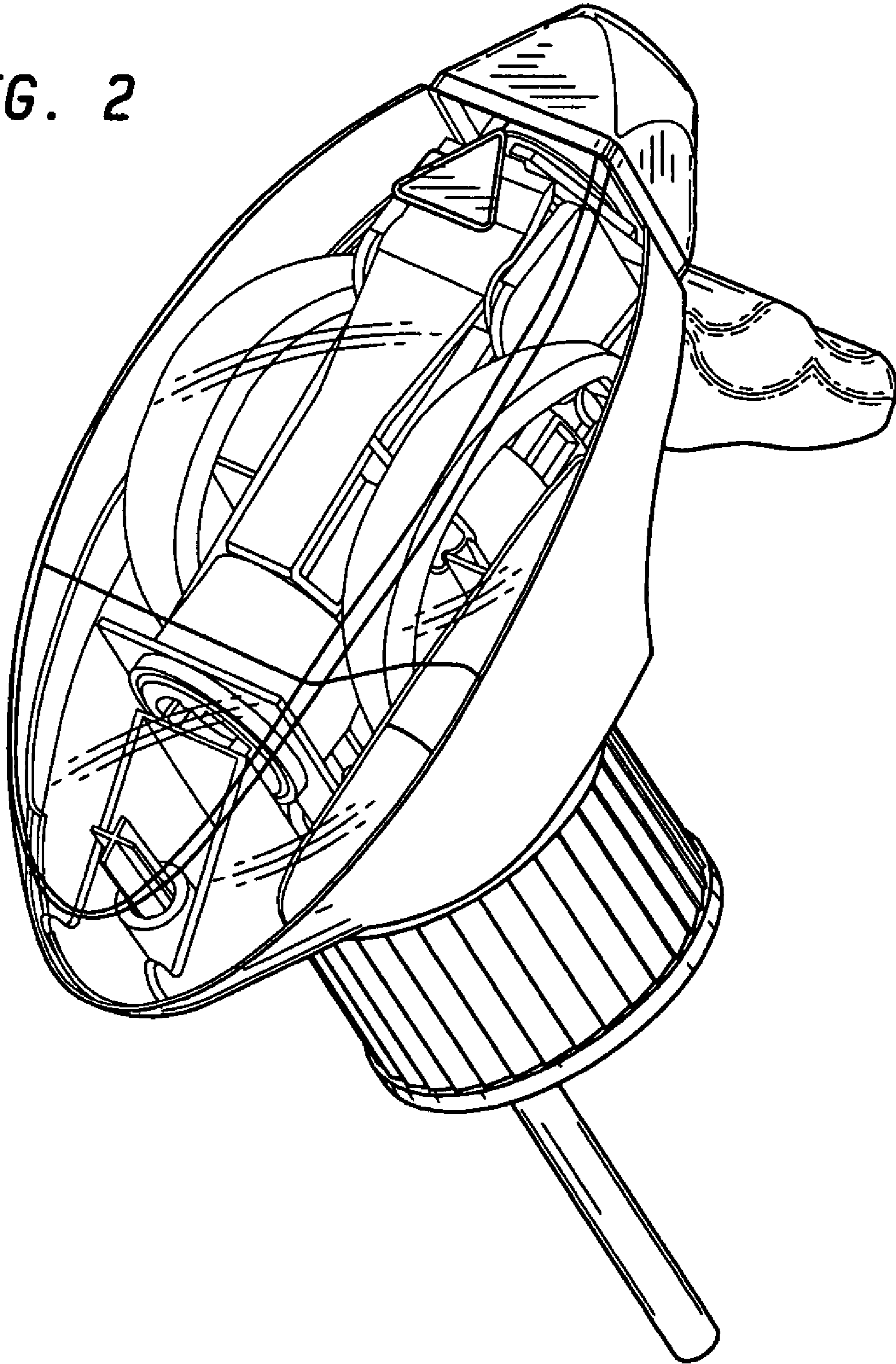
**1 Claim, 7 Drawing Sheets**



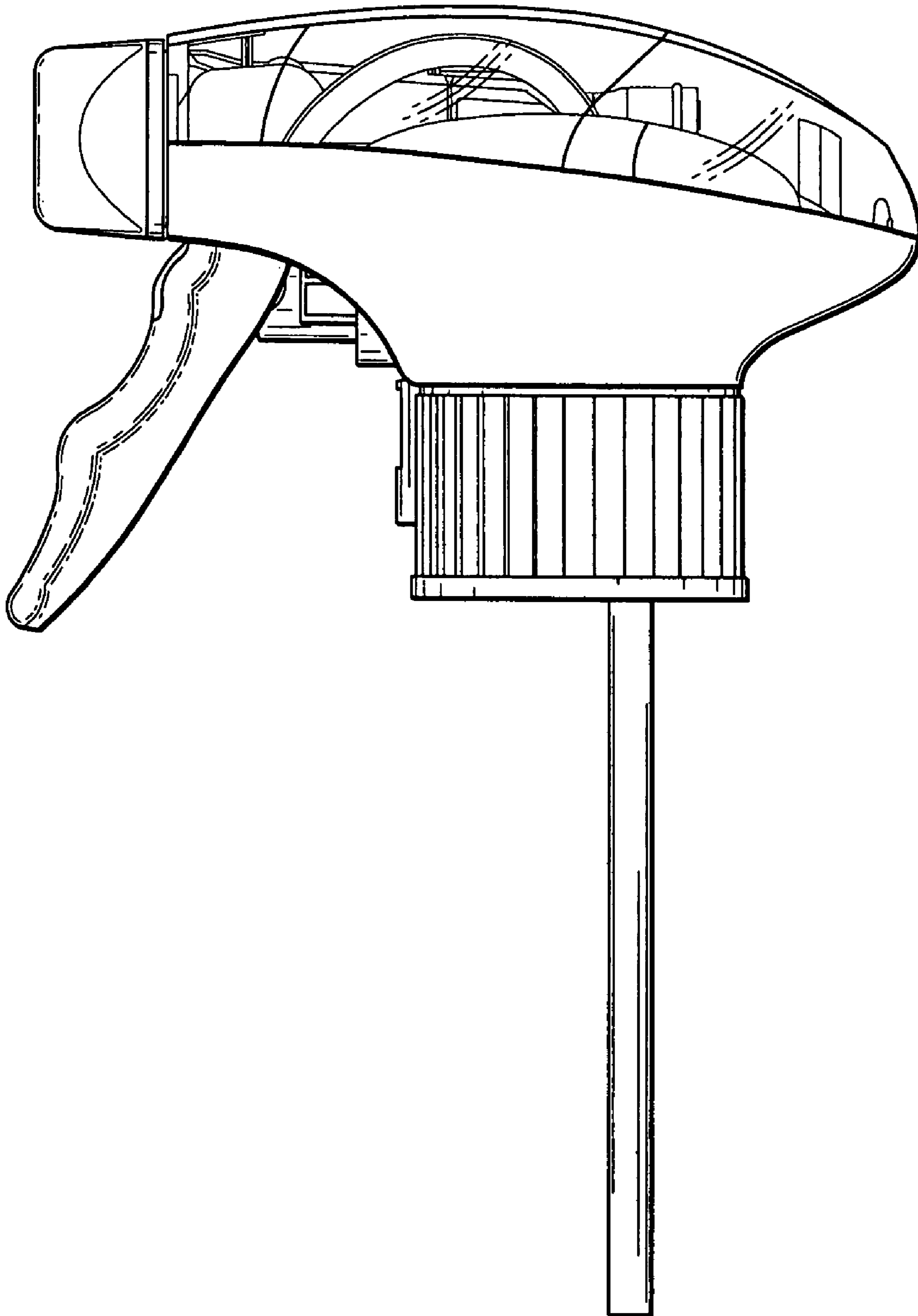


**FIG. 1**

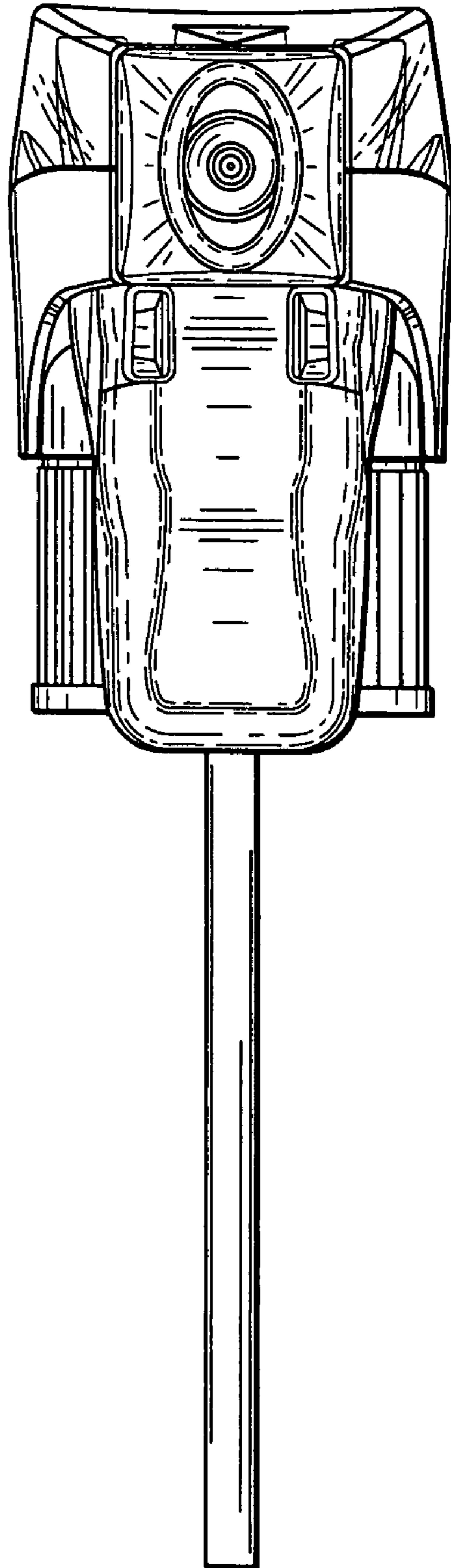
**FIG. 2**



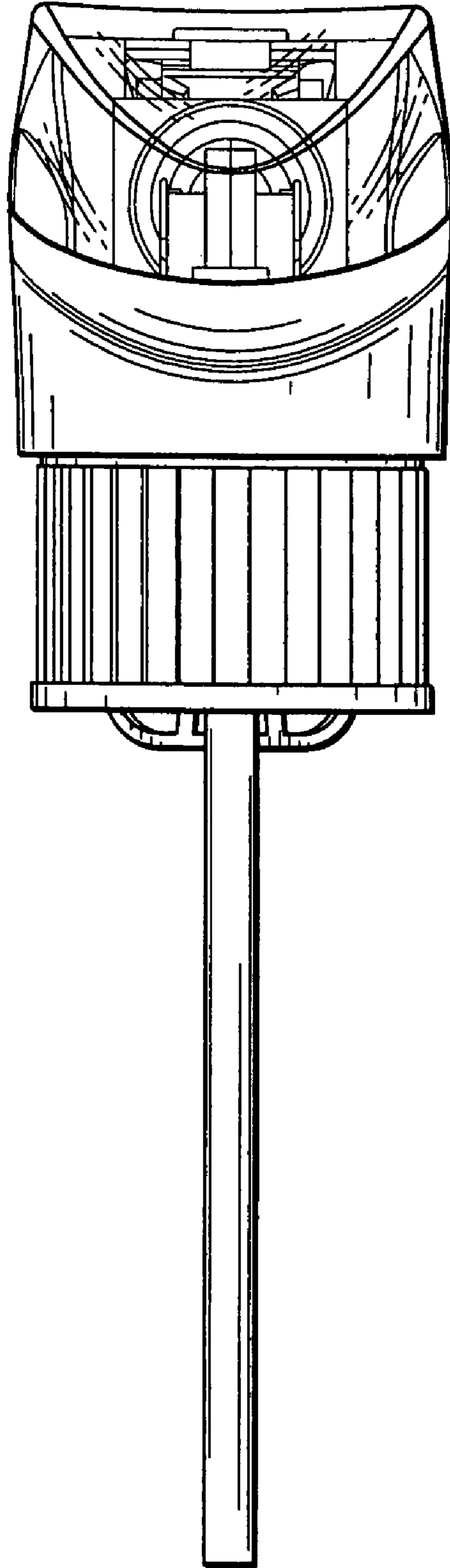
**FIG. 3**



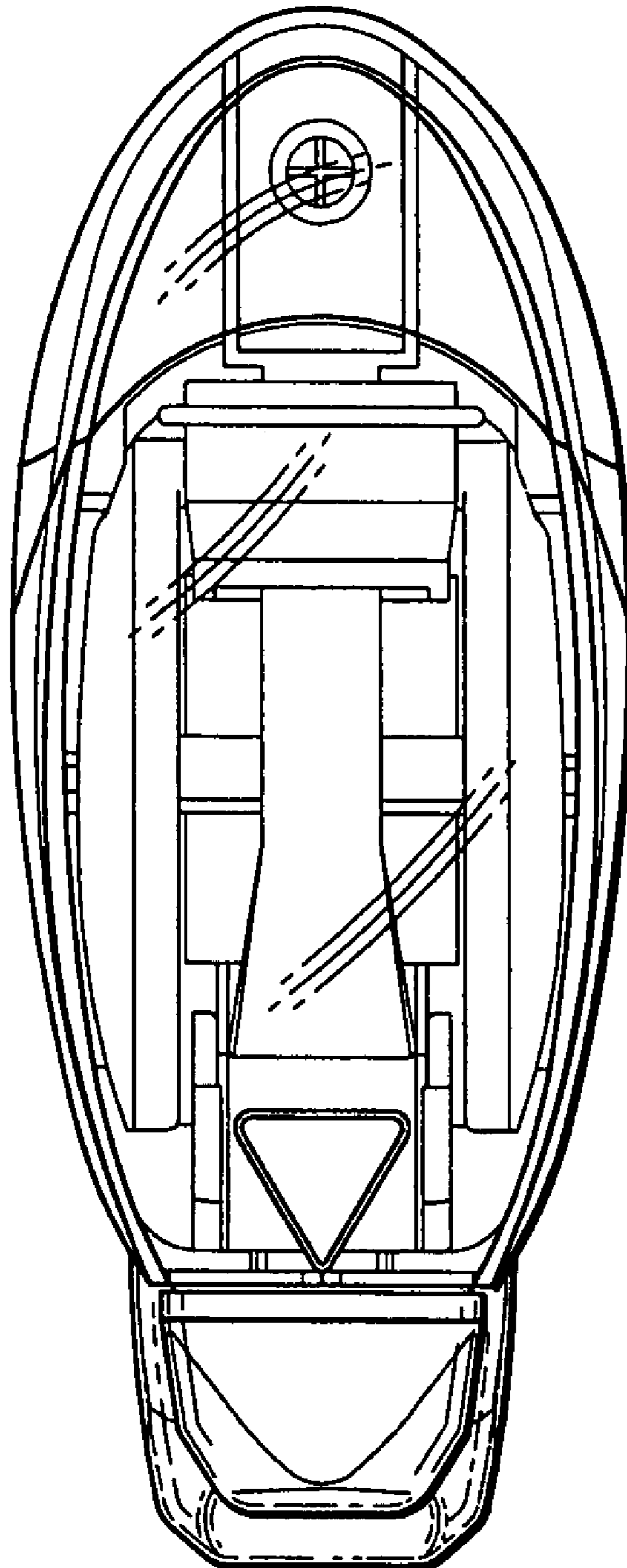
**FIG. 4**

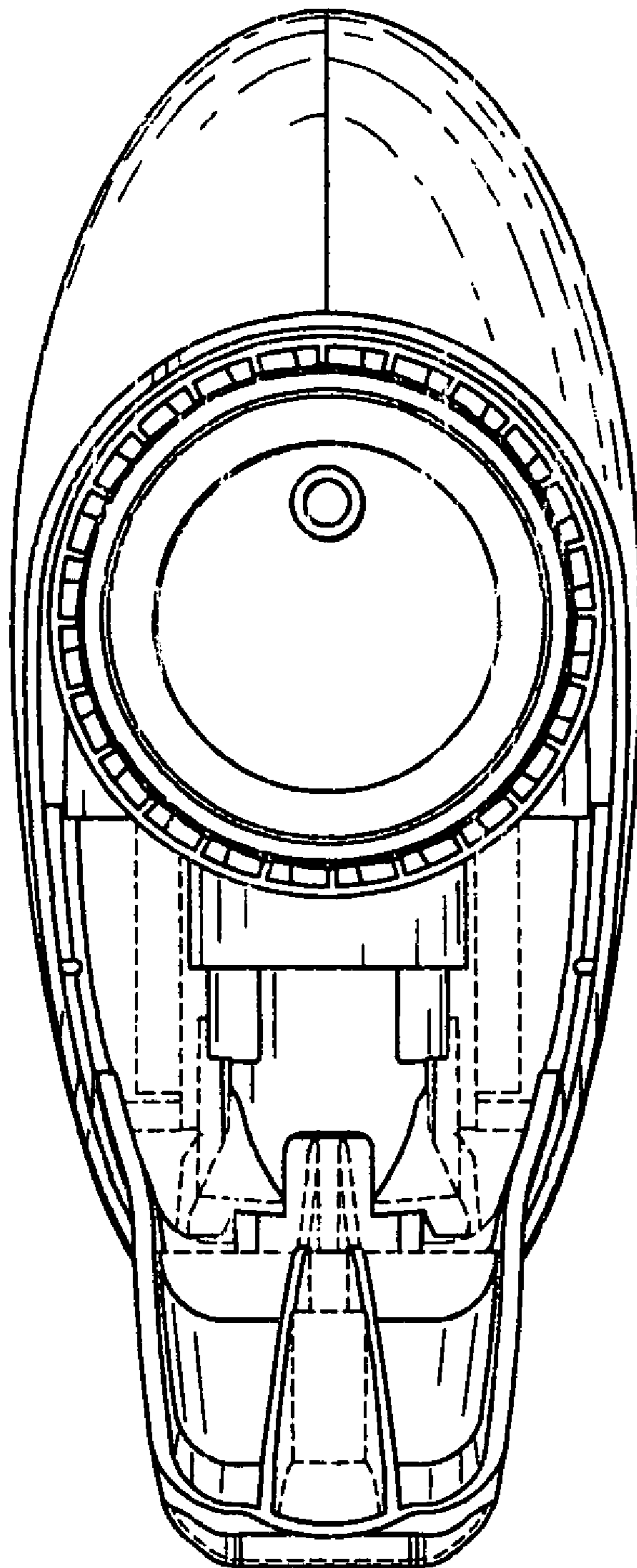


*FIG. 5*



**FIG. 6**





*FIG. 7*