



US00D565944S

(12) **United States Design Patent**
Pitcher

(10) **Patent No.:** **US D565,944 S**

(45) **Date of Patent:** **** Apr. 8, 2008**

(54) **BUTTERFLY CLIP**

(75) Inventor: **David E Pitcher**, Cambridge, MA (US)

(73) Assignee: **Rose Displays Ltd.**, Salem, MA (US)

(**) Term: **14 Years**

(21) Appl. No.: **29/262,082**

(22) Filed: **Jun. 26, 2006**

Related U.S. Application Data

(63) Continuation of application No. 10/903,563, filed on Jul. 30, 2004, now Pat. No. 7,065,912.

(51) **LOC (8) Cl.** **08-08**

(52) **U.S. Cl.** **D8/395**

(58) **Field of Classification Search** D8/356,
D8/371, 395-396; D19/65, 56; 24/73 R,
24/255 R, 457, 489, 543; 248/318, 317,
248/343, 326, 214, 228.7, 222.12, 231.81,
248/320, 340; D6/513; 47/67

See application file for complete search history.

(56) **References Cited**

U.S. PATENT DOCUMENTS

D174,150 S * 3/1955 Weller et al. D8/394
3,616,497 A * 11/1971 Esposito 24/542

4,065,090 A * 12/1977 Mauney 248/318
D248,924 S * 8/1978 Curtis D8/394
D331,462 S * 12/1992 Kraus et al. D24/143
5,490,651 A * 2/1996 Kump 248/222.12

* cited by examiner

Primary Examiner—Stella M. Reid

Assistant Examiner—John Windmuller

(74) *Attorney, Agent, or Firm*—Don Halgren

(57) **CLAIM**

The ornamental design for a butterfly clip, as shown and described.

DESCRIPTION

FIG. 1 is a front perspective view a butterfly clip showing my new design;

FIG. 2 is a rear perspective view thereof;

FIG. 3 is a front elevational view thereof;

FIG. 4 is a rear elevational view thereof;

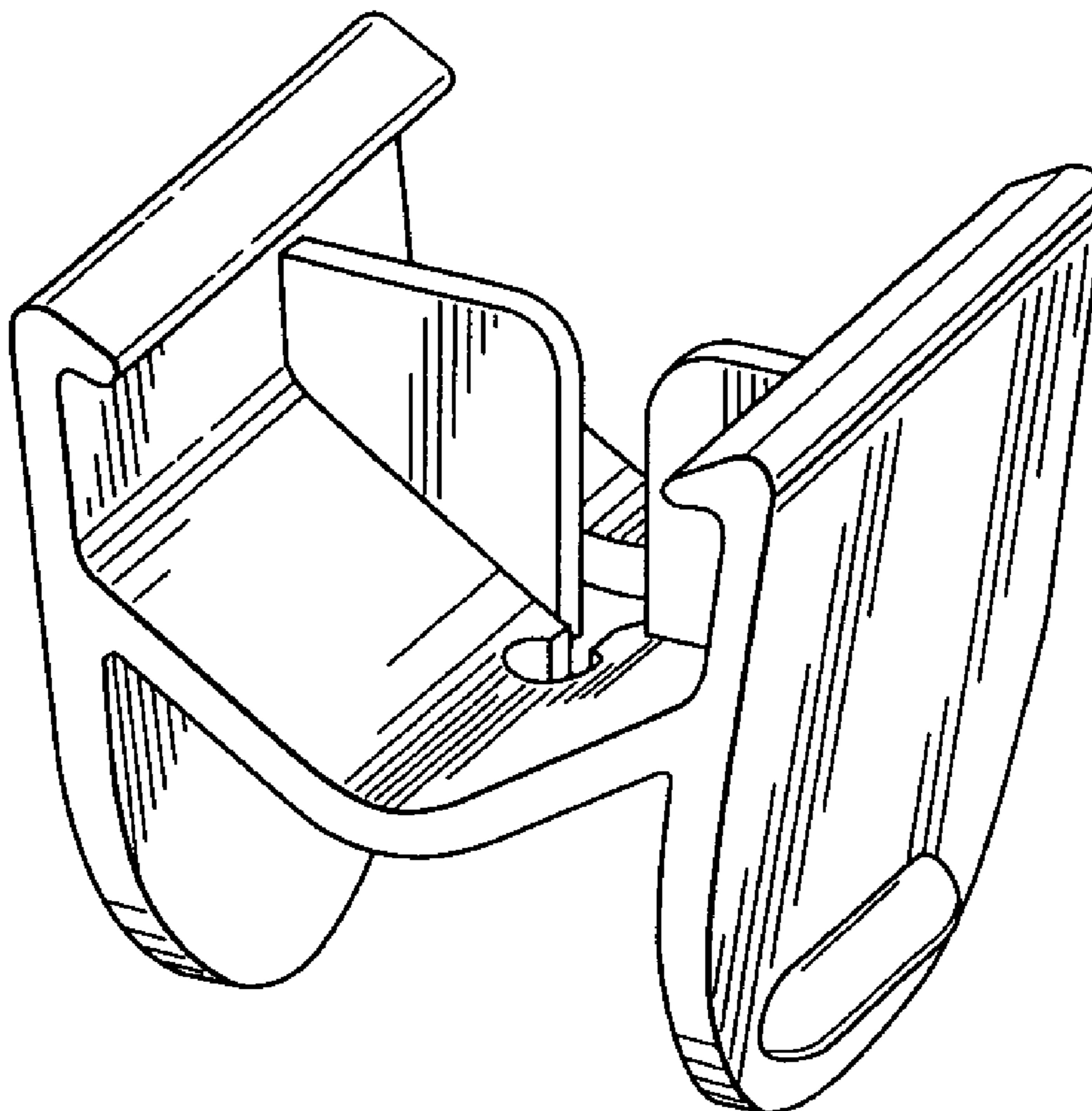
FIG. 5 is a right side elevational view thereof;

FIG. 6 is a left side elevational view thereof;

FIG. 7 is a top plan view thereof; and,

FIG. 8 is a bottom plan view thereof.

1 Claim, 4 Drawing Sheets



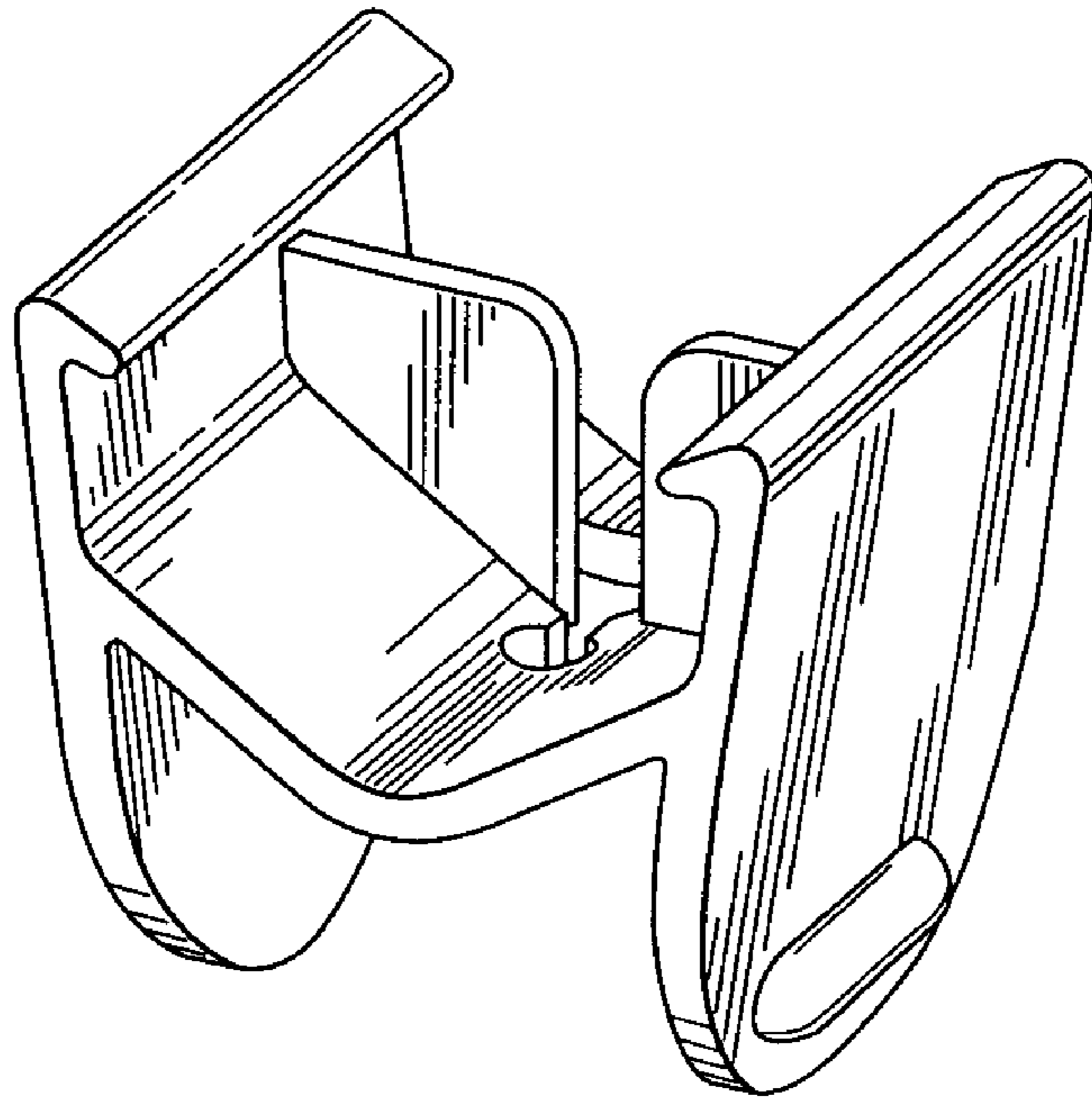


Fig. 1

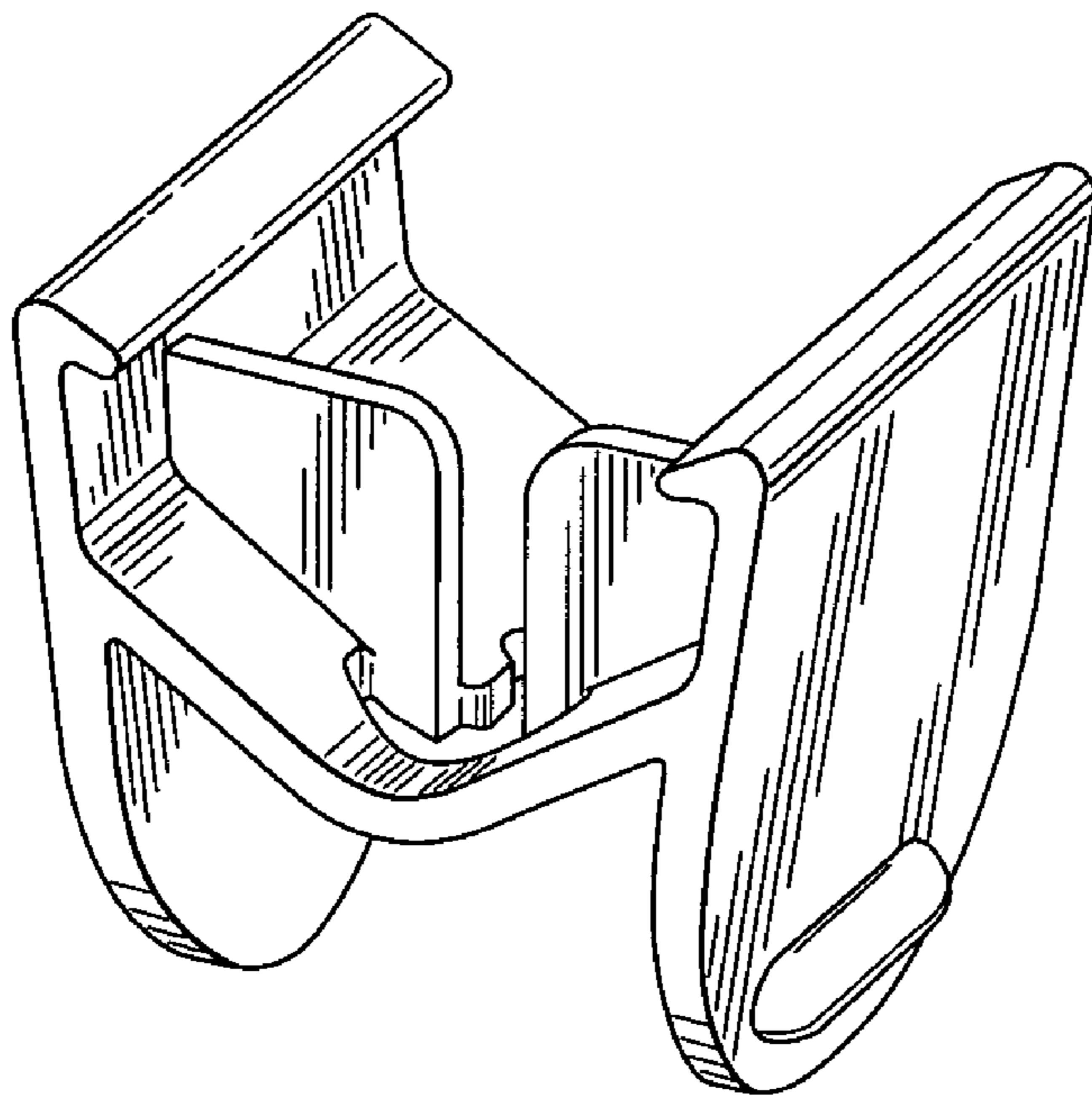


Fig. 2

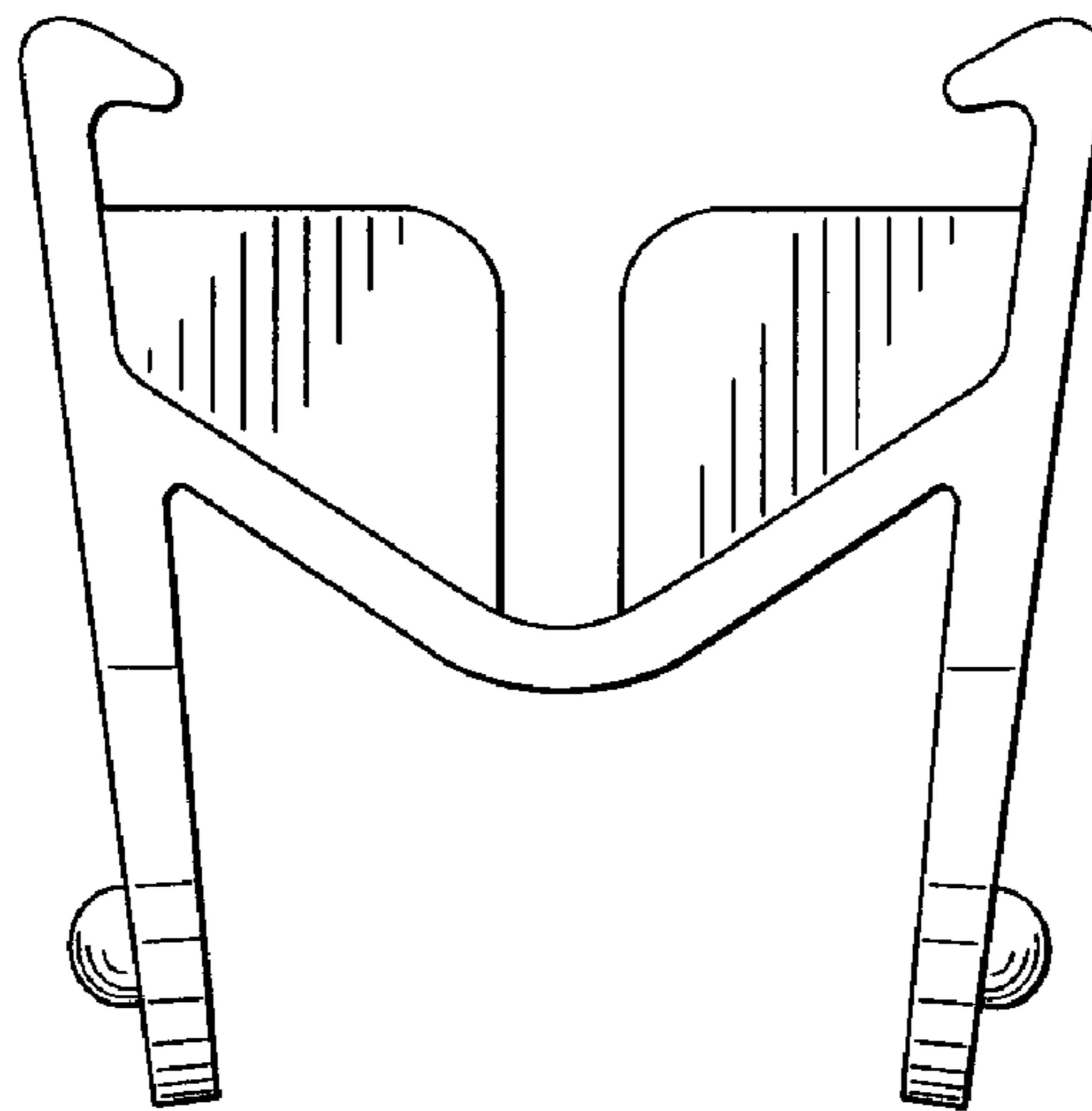


Fig. 3

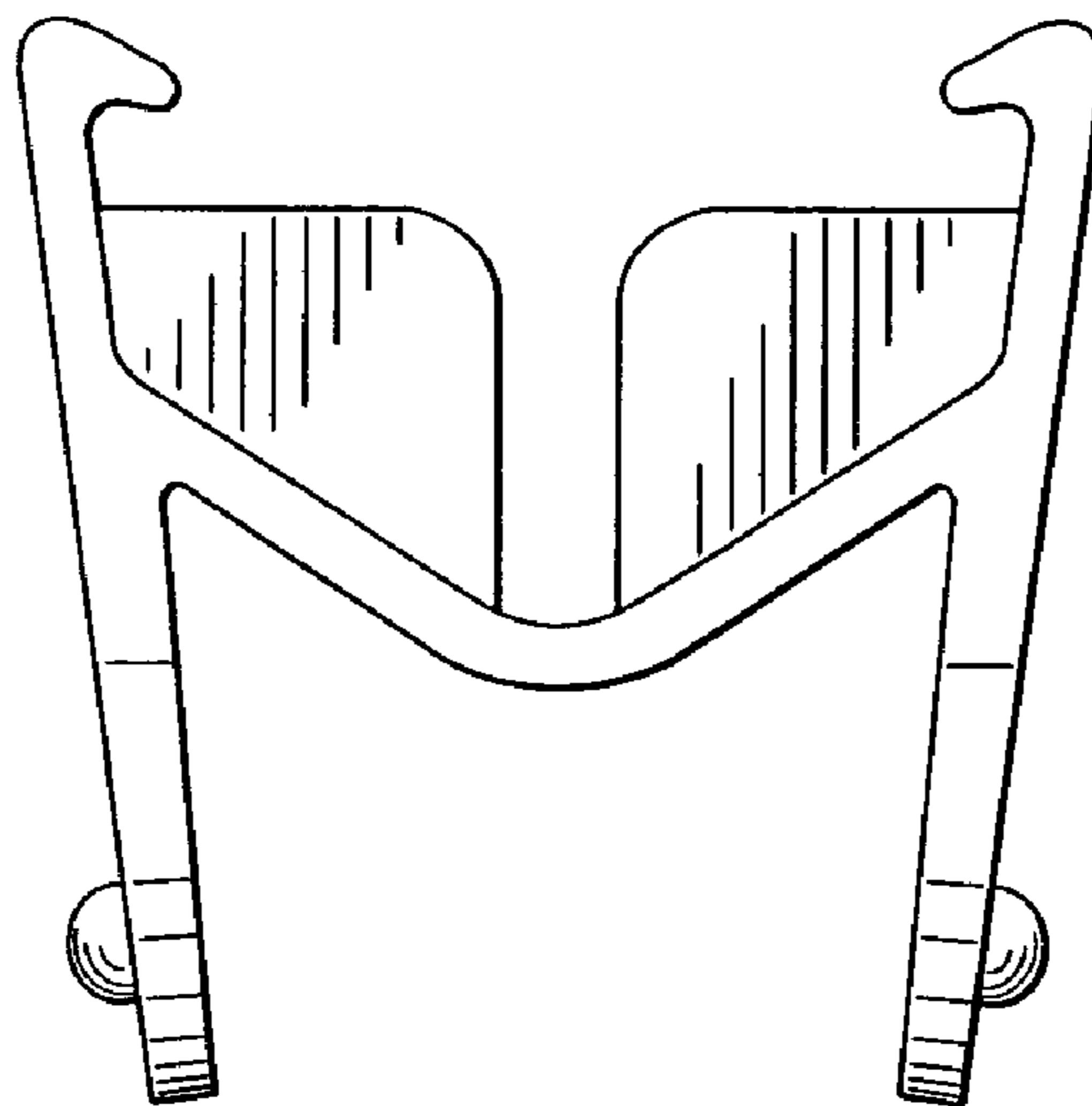


Fig. 4

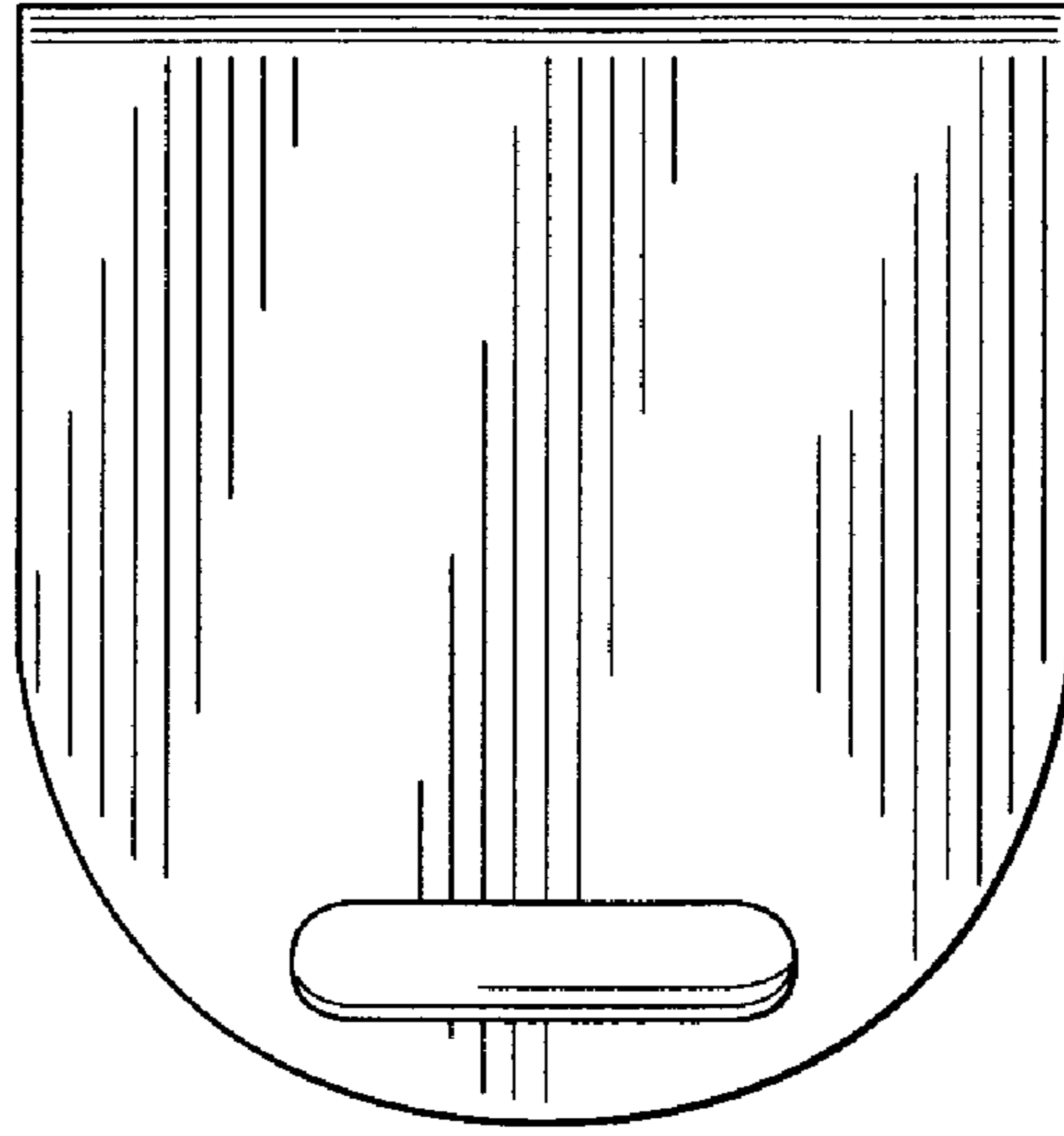


Fig. 5

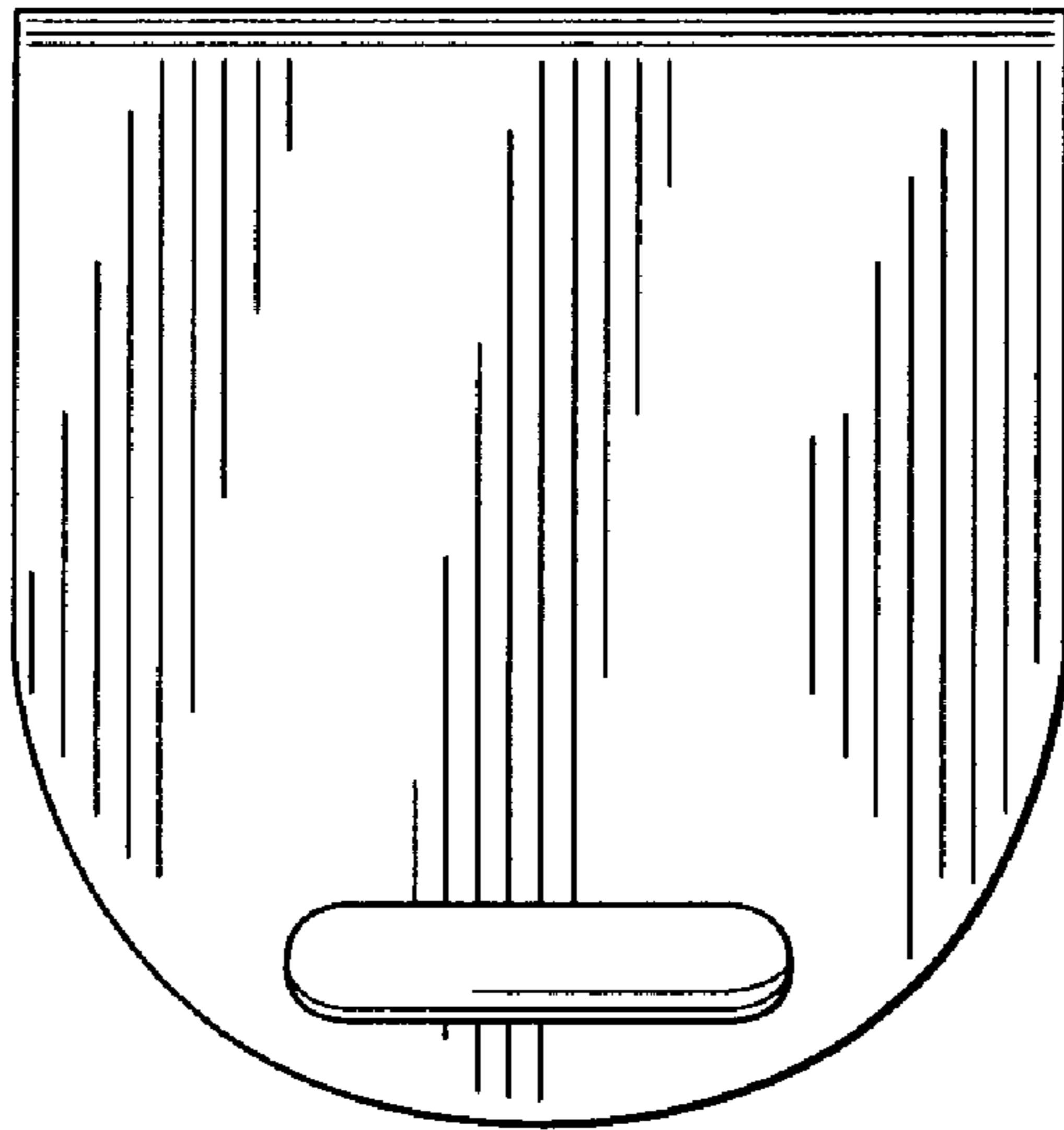


Fig. 6

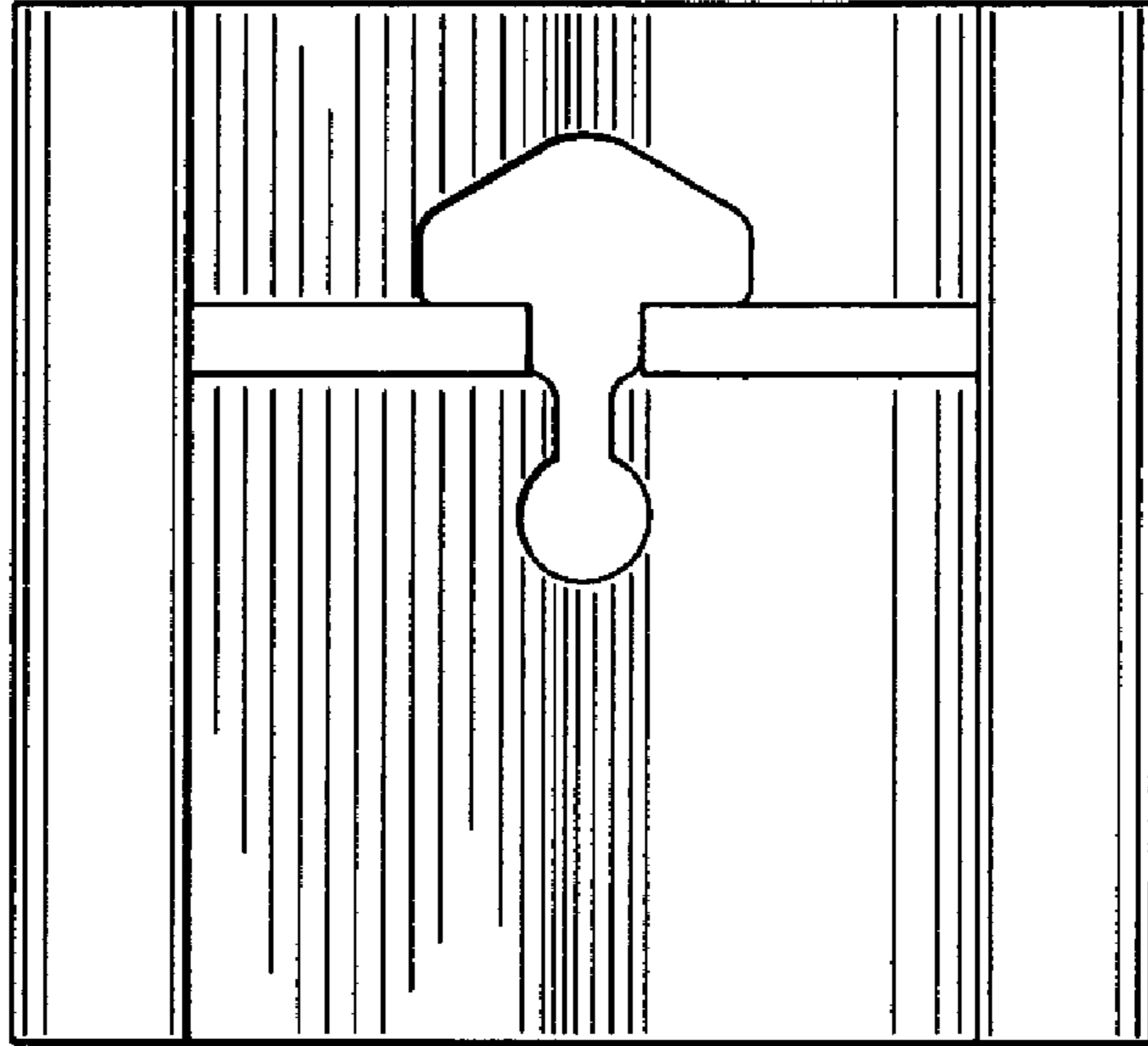


Fig. 7

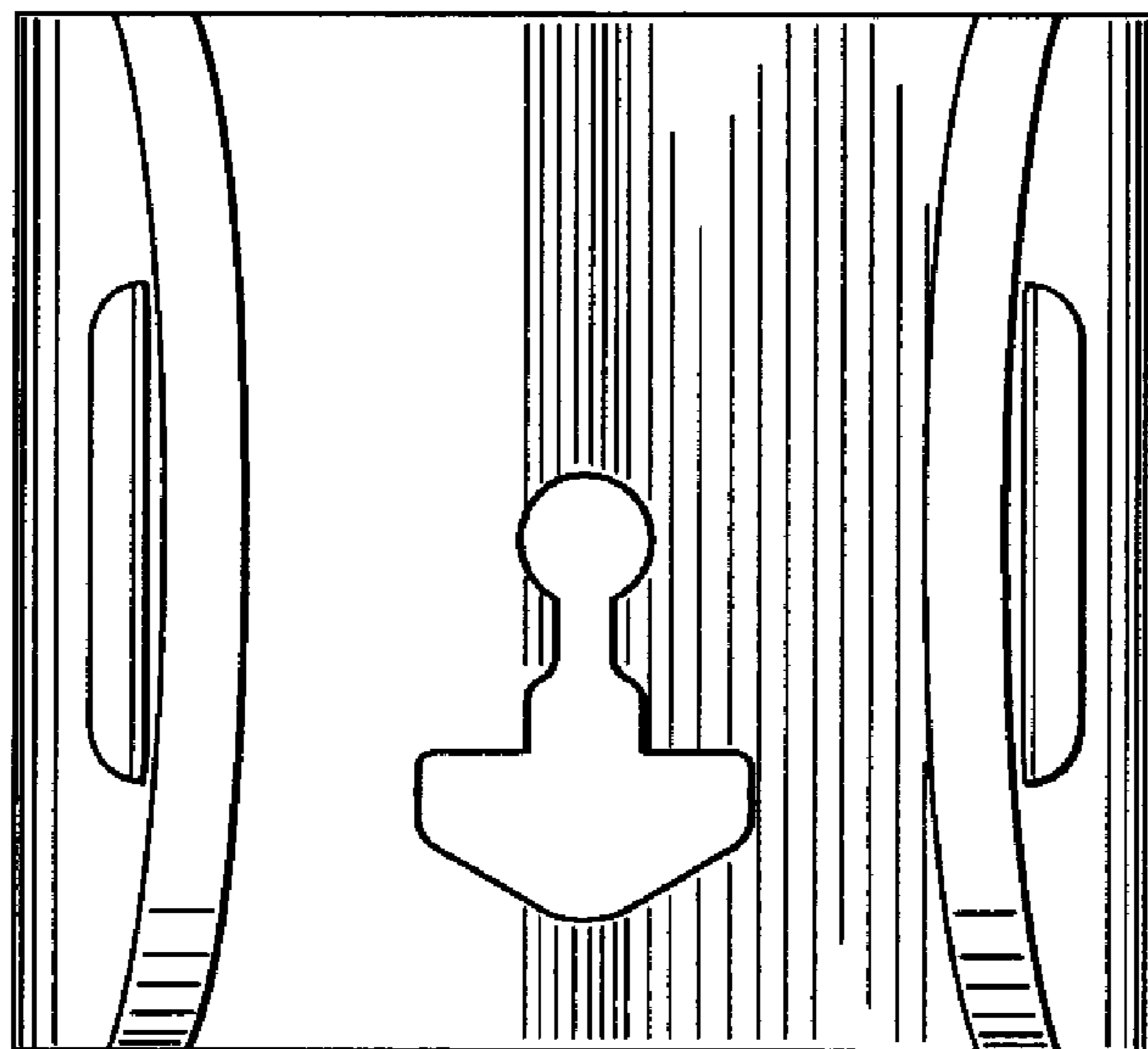


Fig. 8