



US00D565943S

(12) **United States Design Patent** (10) **Patent No.:** **US D565,943 S**
Bulte (45) **Date of Patent:** **** Apr. 8, 2008**

(54) **FASTENER HEAD**

(76) Inventor: **Robert K. Bulte**, 11 Royal Ct.,
Ashmore, Queensland (AU) 4214

(**) Term: **14 Years**

(21) Appl. No.: **29/275,897**

(22) Filed: **Jan. 9, 2007**

(30) **Foreign Application Priority Data**

Nov. 22, 2006 (JP) 2006-032012
Nov. 22, 2006 (JP) 2006-032013
Nov. 22, 2006 (JP) 2006-032014

(51) **LOC (8) Cl.** **08-08**

(52) **U.S. Cl.** **D8/388**

(58) **Field of Classification Search** D8/387,
D8/388, 393; 411/403, 404, 419
See application file for complete search history.

(56) **References Cited**

U.S. PATENT DOCUMENTS

RE24,878 E 9/1960 Smith et al.
3,170,364 A 2/1965 Johnston et al.
3,331,274 A 7/1967 Walton
3,498,173 A * 3/1970 Wright 411/403
3,874,258 A 4/1975 Semola et al.
4,149,434 A 4/1979 Wilson
D260,157 S * 8/1981 Appel et al. D21/483
D285,651 S * 9/1986 Iwata et al. D8/387
5,207,132 A * 5/1993 Goss et al. 81/460
5,366,330 A 11/1994 Cosenza
5,449,260 A 9/1995 Whittle
5,598,753 A 2/1997 Lee
D413,254 S * 8/1999 Lee D8/387

D414,402 S * 9/1999 Lee D8/387
5,957,645 A 9/1999 Stacy
D415,676 S * 10/1999 Negishi et al. D8/387
D422,202 S * 4/2000 Maki D8/387
6,293,745 B1 * 9/2001 Lu 411/410
6,302,632 B1 * 10/2001 Lin 411/404
D457,674 S * 5/2002 Pelka D26/67
D457,675 S * 5/2002 Pelka D26/67
D517,404 S * 3/2006 Schluter D8/387
D531,015 S * 10/2006 Lin D8/387
D559,094 S * 1/2008 Totsu D8/387

FOREIGN PATENT DOCUMENTS

GB 138281 2/1920

* cited by examiner

Primary Examiner—Holly H. Baynham

Assistant Examiner—Sheryl Friedman

(74) *Attorney, Agent, or Firm*—David A. Guerra

(57) **CLAIM**

I claim the ornamental design for a fastener head, as shown and described.

DESCRIPTION

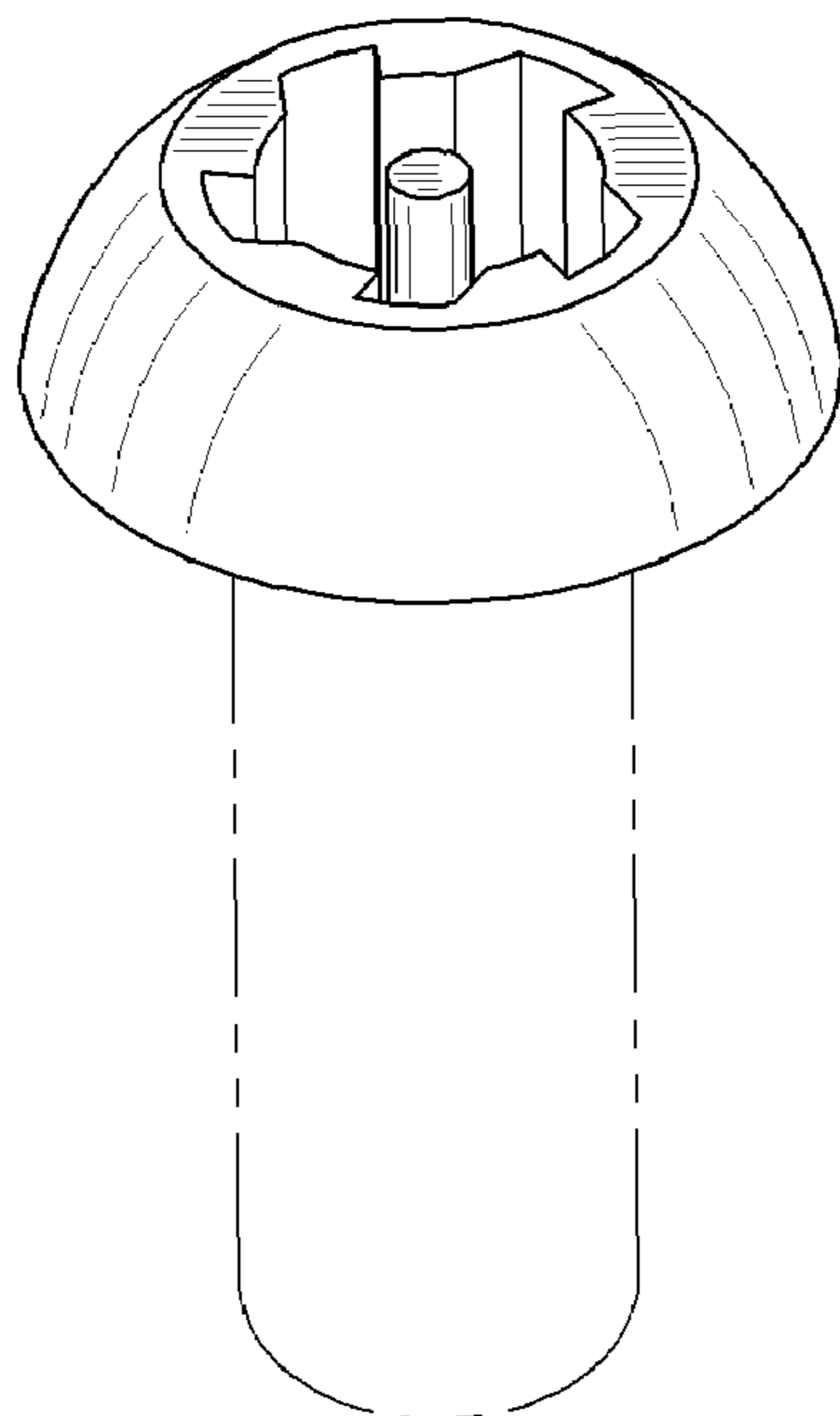
FIG. 1 is a perspective view of the fastener head constructed in accordance with my new design;

FIG. 2 is a top plane view; and,

FIG. 3 is a front elevation view with the back, left and right elevation views being mirror images thereof.

The elements illustrated in dashed lines in the accompanying drawings are considered environmental and do not form a part of the claimed design.

1 Claim, 1 Drawing Sheet



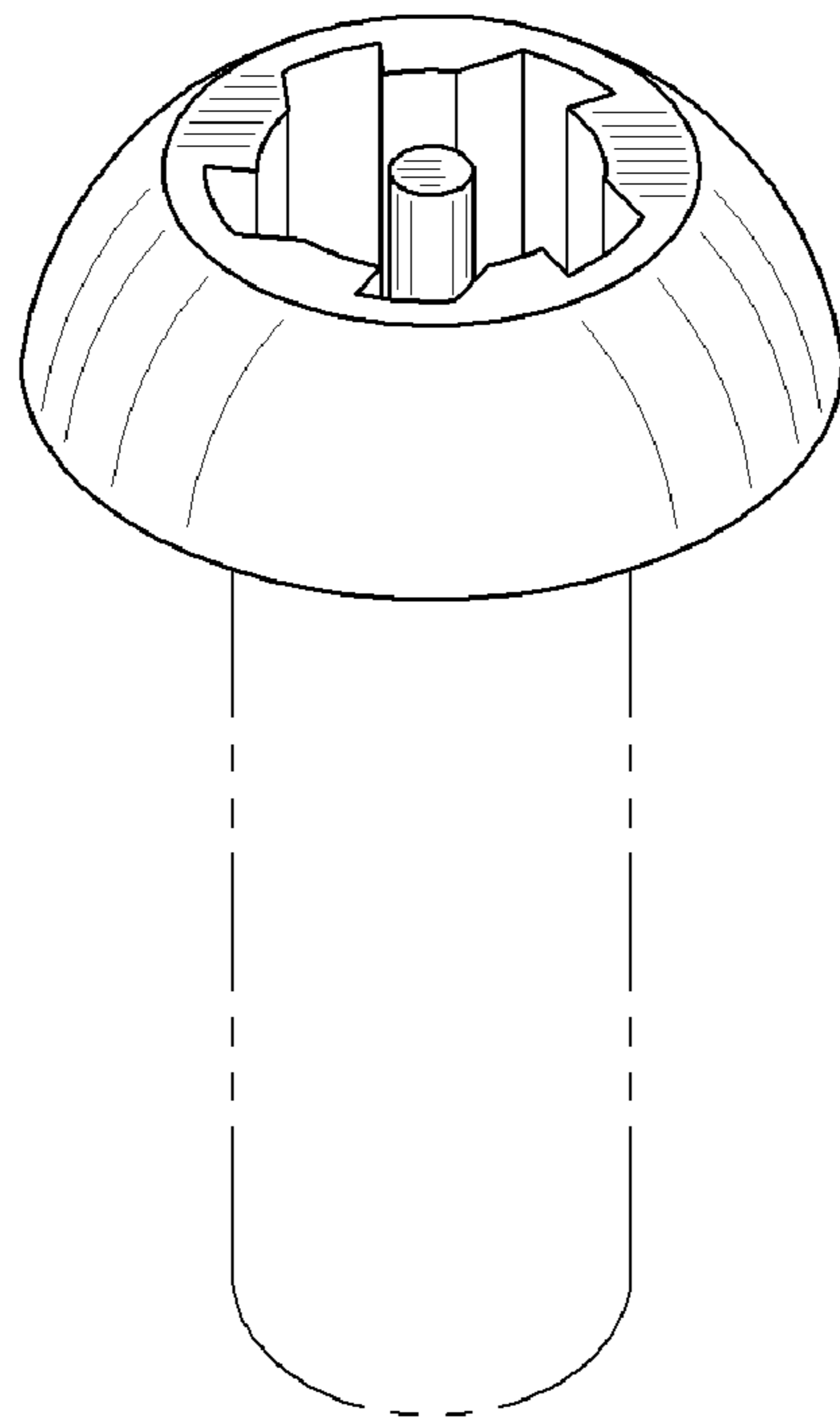


FIG. 1

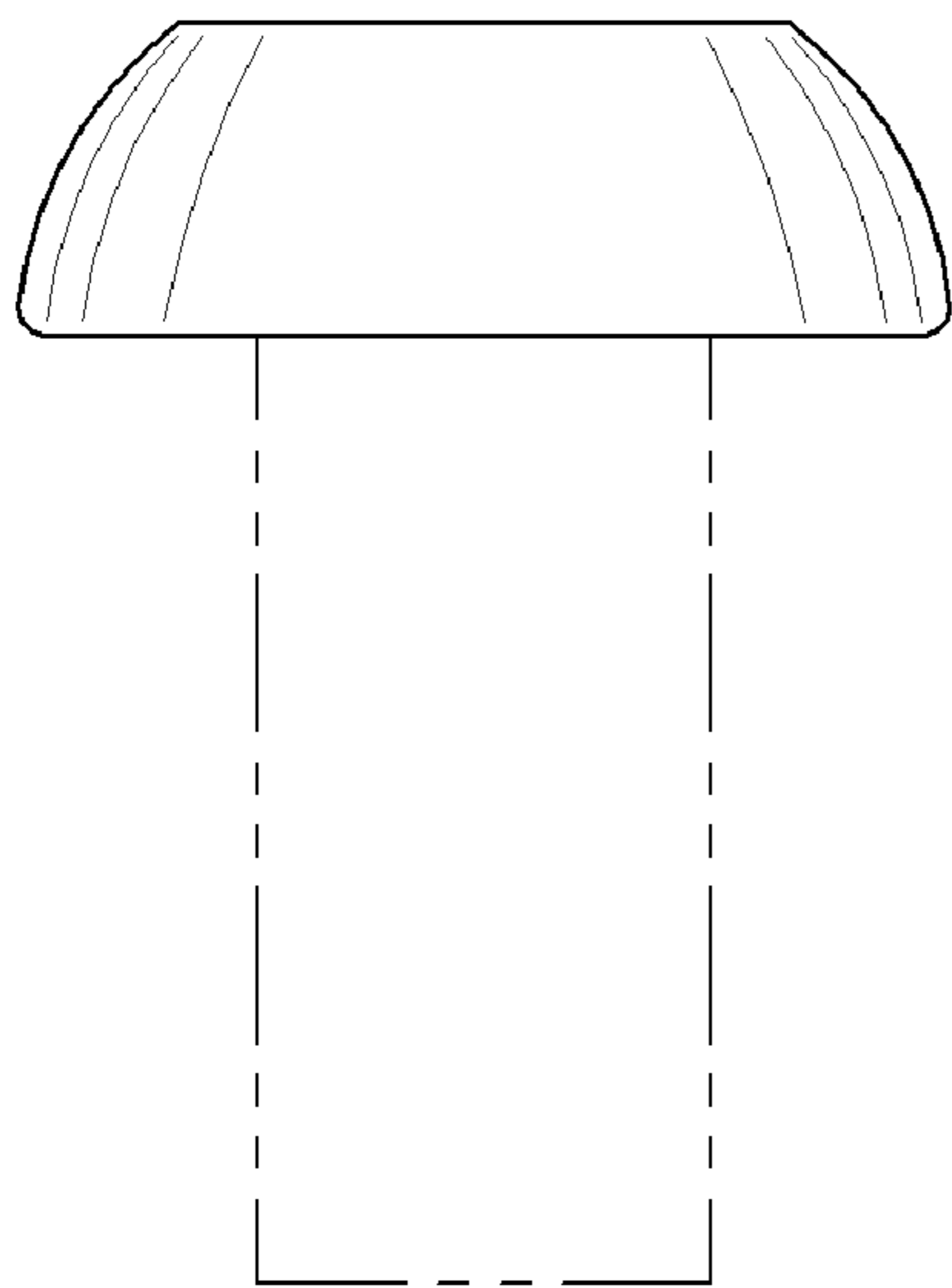


FIG. 3

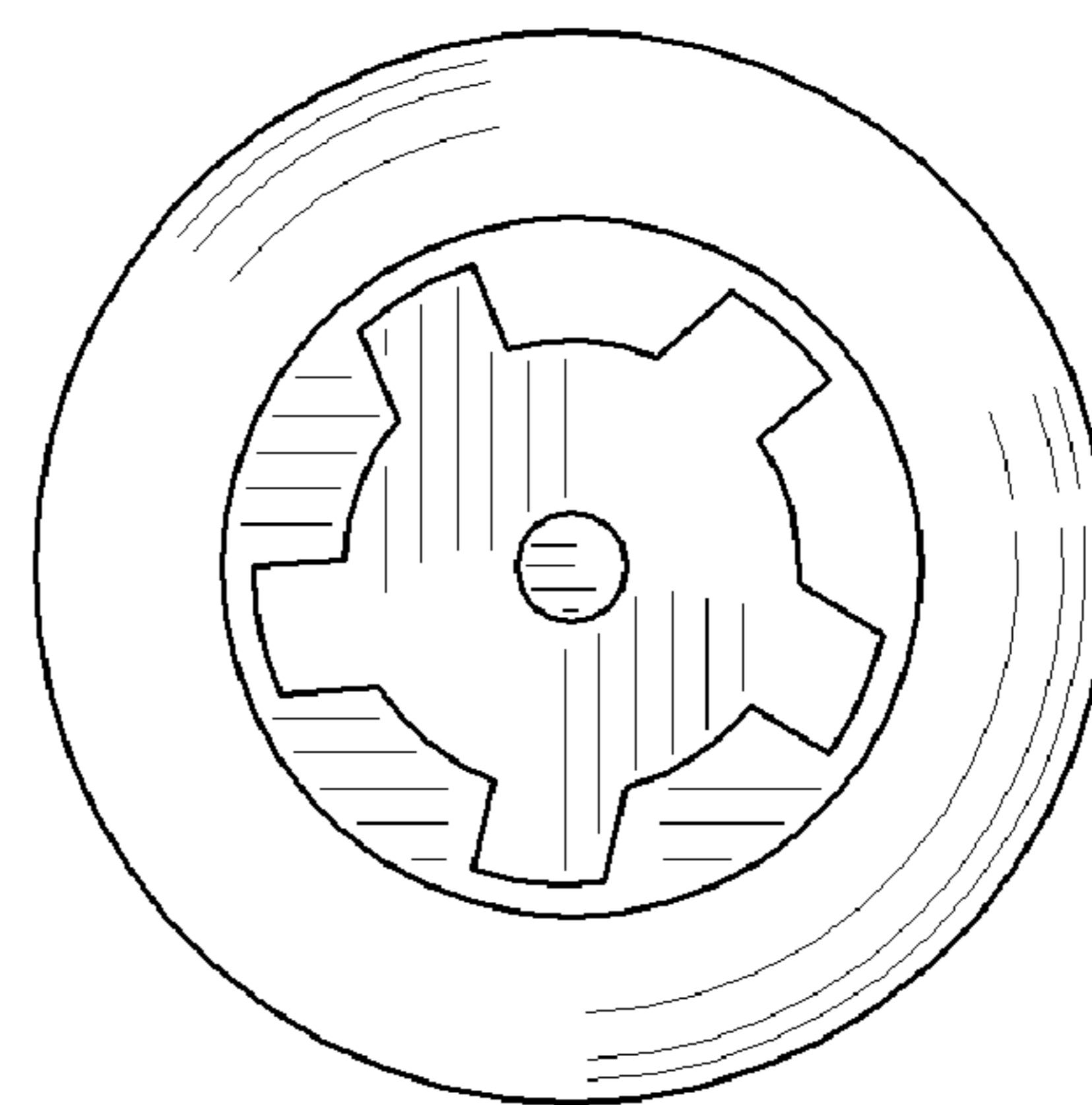


FIG. 2