



US00D565942S

(12) **United States Design Patent**
Richey

(10) **Patent No.:** **US D565,942 S**

(45) **Date of Patent:** **** Apr. 8, 2008**

(54) **MOVING STRAP EXTENDER**

(76) Inventor: **Michael F. Richey**, 247 Old Springfield Rd., Stafford Springs, CT (US) 06076

(**) Term: **14 Years**

(21) Appl. No.: **29/266,869**

(22) Filed: **Oct. 2, 2006**

(51) **LOC (8) Cl.** **08-08**

(52) **U.S. Cl.** **D8/383**

(58) **Field of Classification Search** D8/383,
D8/382; 24/23 B, 200

See application file for complete search history.

(56) **References Cited**

U.S. PATENT DOCUMENTS

228,223	A *	6/1880	Sevey	24/23 B
1,301,102	A *	4/1919	Cary	24/23 W
1,855,007	A *	4/1932	Bradley	24/23 B
3,377,666	A	4/1968	Sherman		
3,624,868	A	12/1971	Somann		
3,924,302	A	12/1975	Somann		
4,083,088	A	4/1978	Somann		
4,719,671	A	1/1988	Ito et al.		
D313,343	S *	1/1991	Sachs	D8/383
5,014,470	A *	5/1991	Lane et al.	52/23
D344,691	S *	3/1994	Kepiro	D11/218
5,316,266	A *	5/1994	Chou	254/364
5,516,245	A	5/1996	Cassidy		

2007/0068984 A1* 3/2007 Leitner et al. 224/402

* cited by examiner

Primary Examiner—Holly H. Baynham

Assistant Examiner—Sheryl Friedman

(74) *Attorney, Agent, or Firm*—Theresa M. Seal

(57) **CLAIM**

I claim the ornamental design for a moving strap extender, as shown and described.

DESCRIPTION

FIG. 1 is an elevational view of the moving strap extender, in accordance with the invention;

FIG. 2 is a perspective view of the moving strap extender thereof; demonstrating how moving straps would be used in connection therewith;

FIG. 3 is a perspective view of the moving strap extender thereof;

FIG. 4 is a front elevational view thereof; the rear elevation being a mirror image thereof;

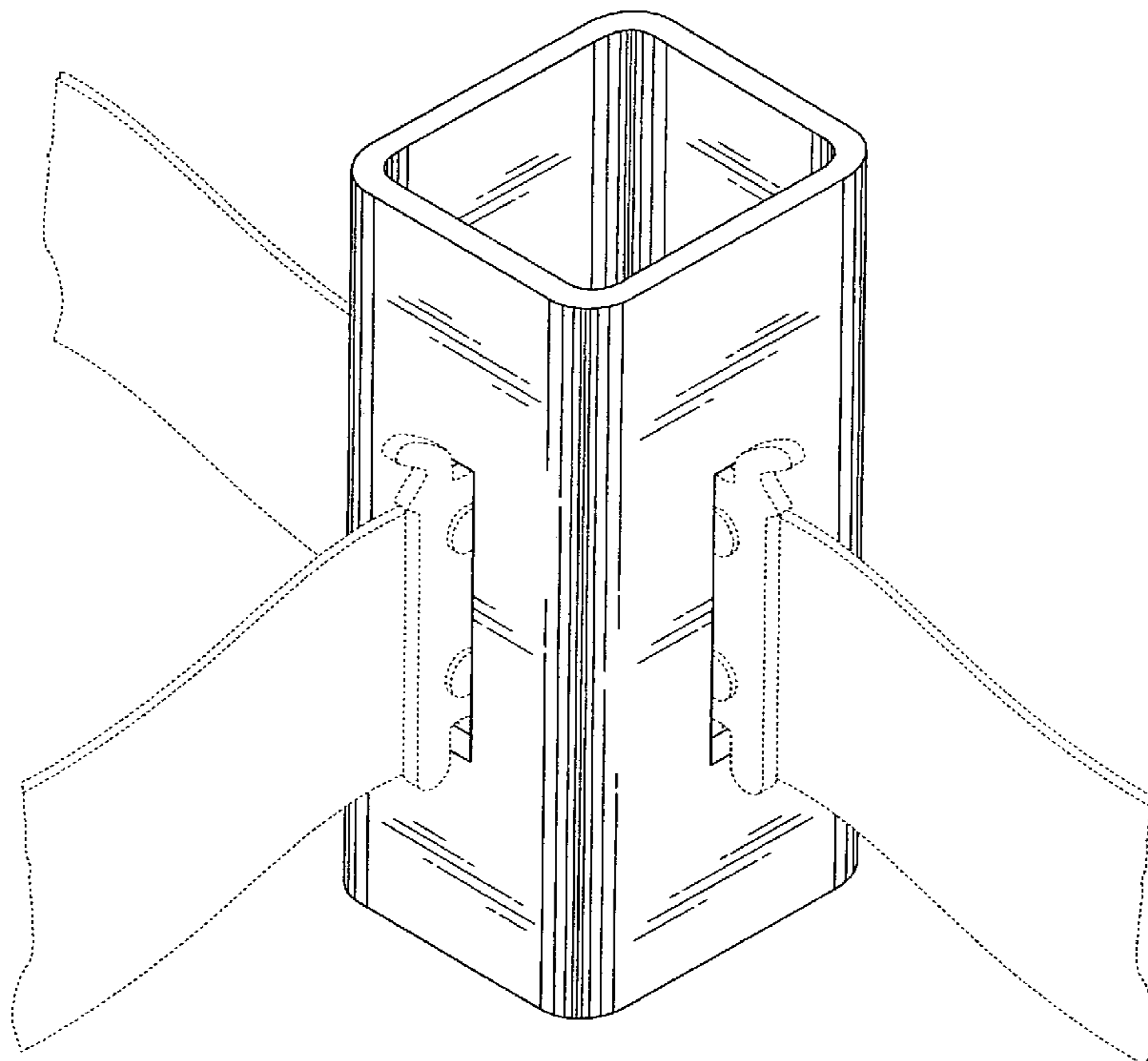
FIG. 5 is a left side elevational view thereof; the right side being a mirror image thereof;

FIG. 6 is a top plan view thereof; and,

FIG. 7 is a bottom plan view thereof.

The broken line showing of a strap is included for the purpose of illustrating environment and forms no part of the claimed design.

1 Claim, 4 Drawing Sheets



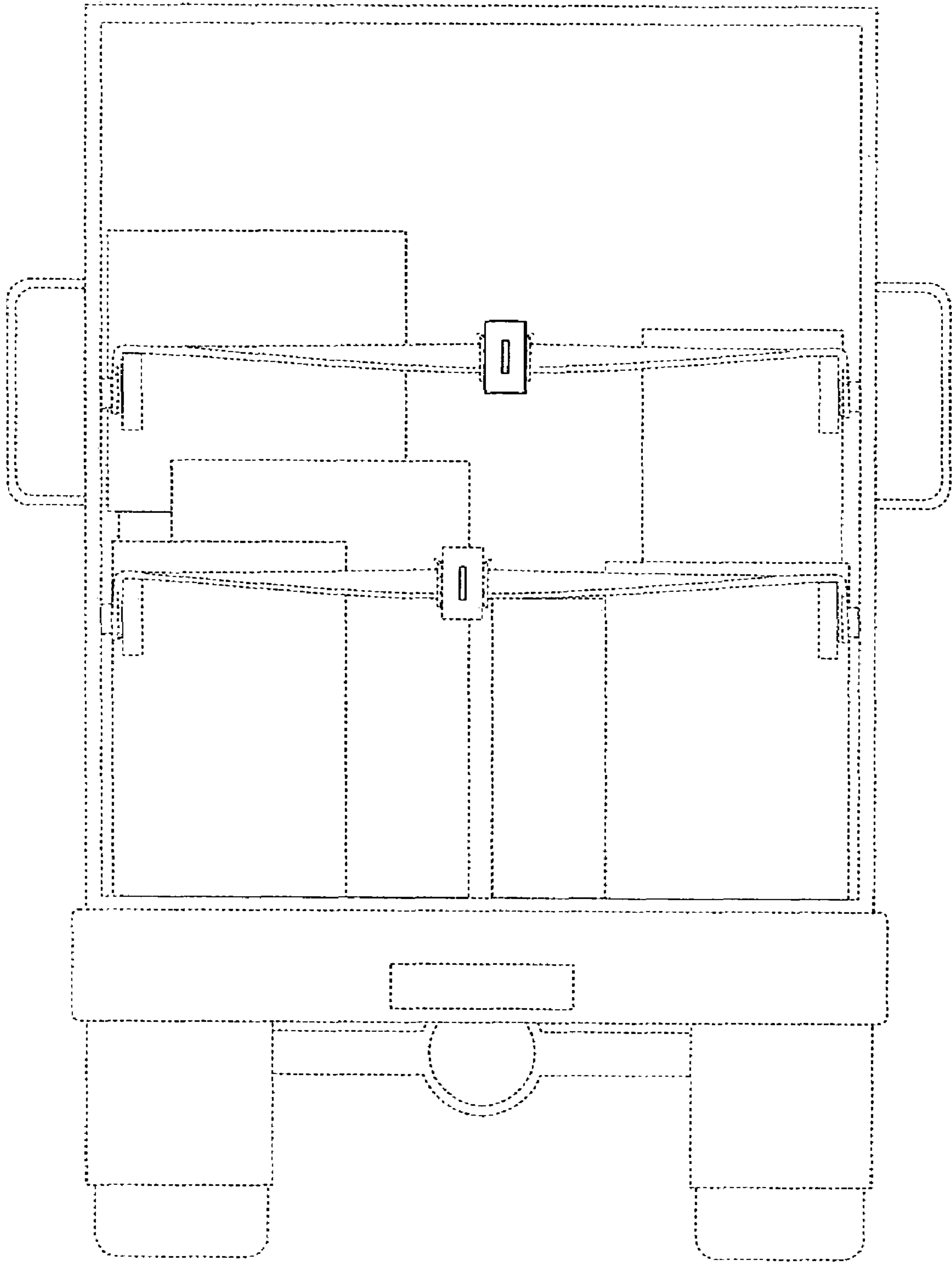


Fig. 1

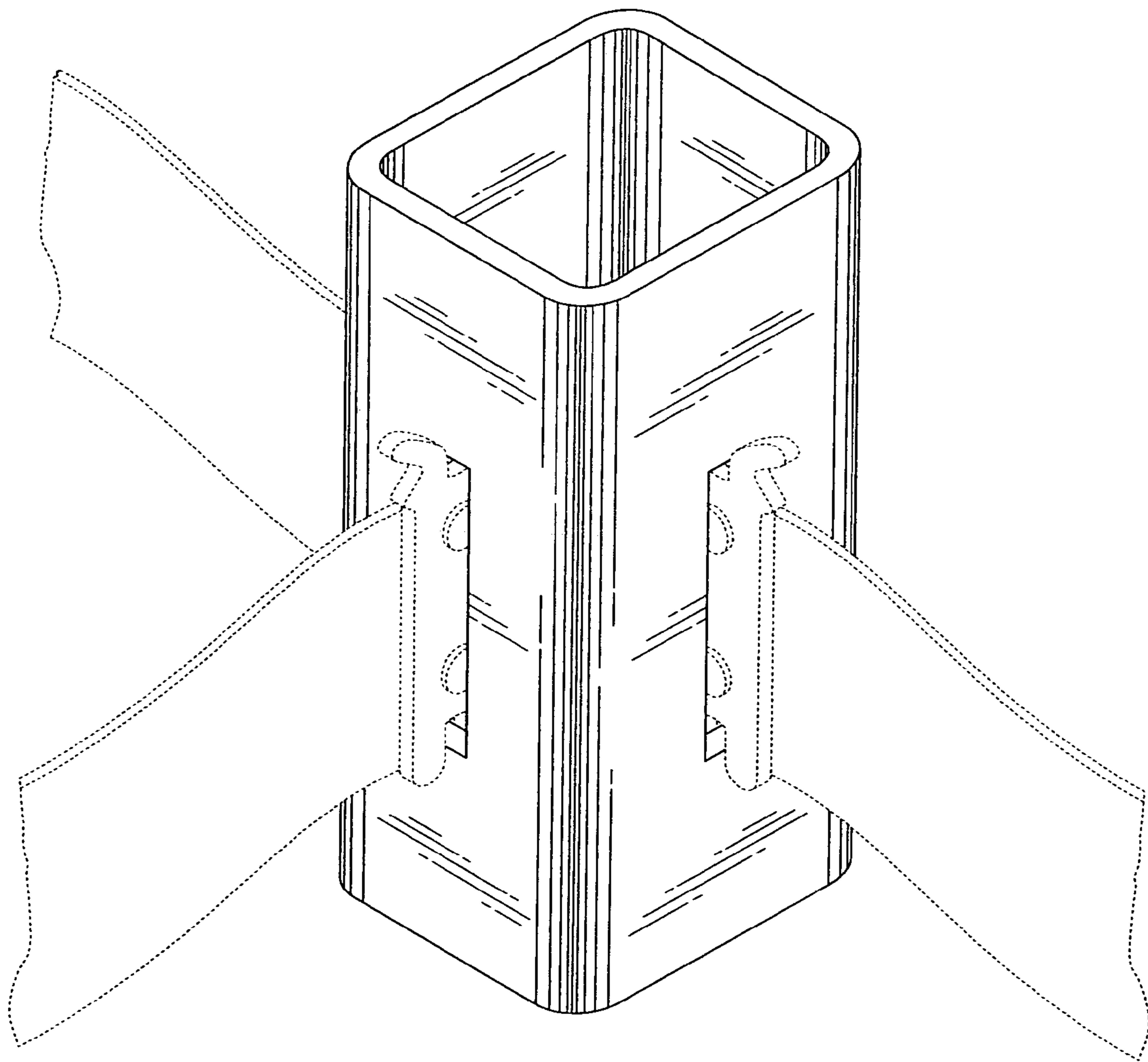


Fig. 2

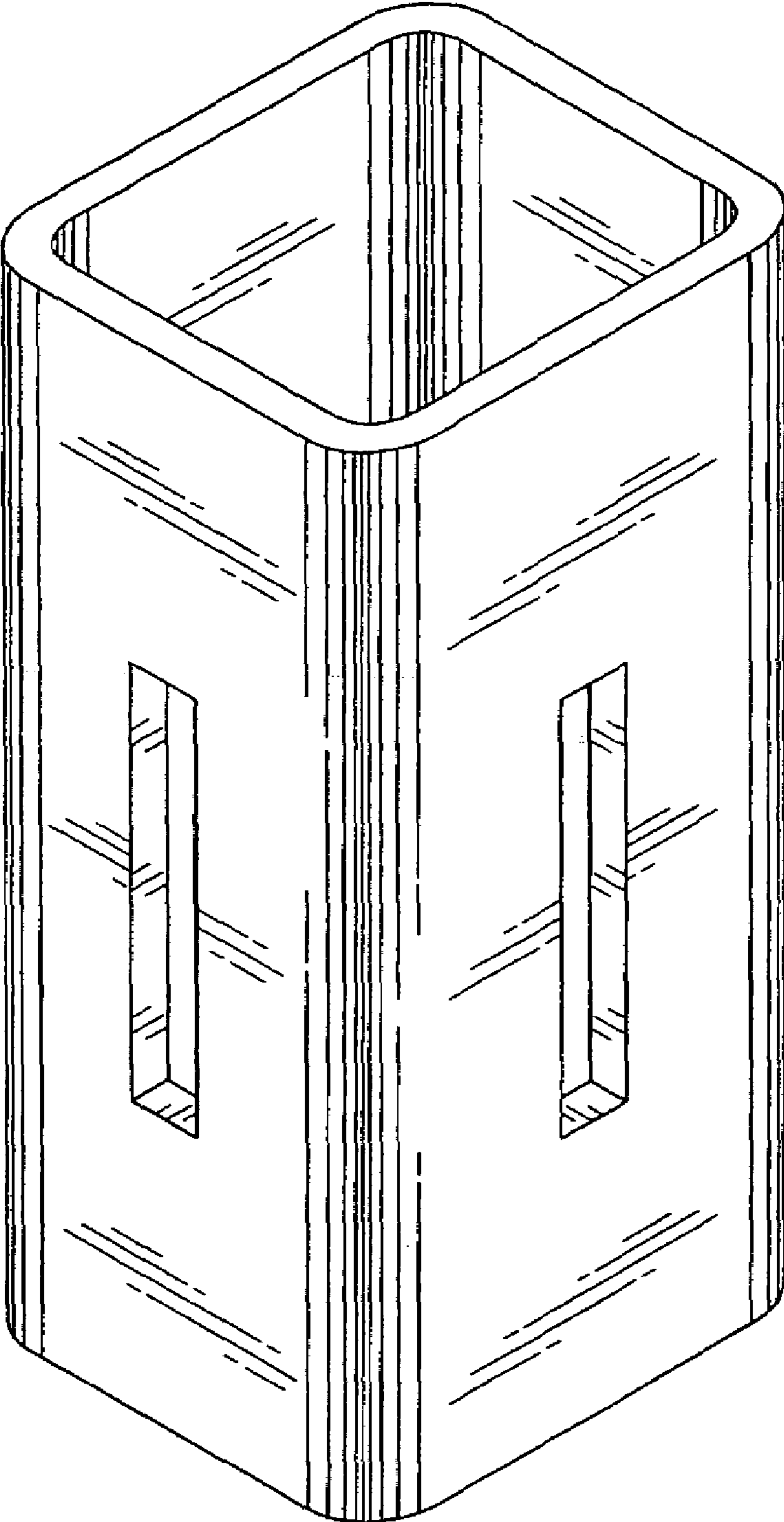


Fig. 3

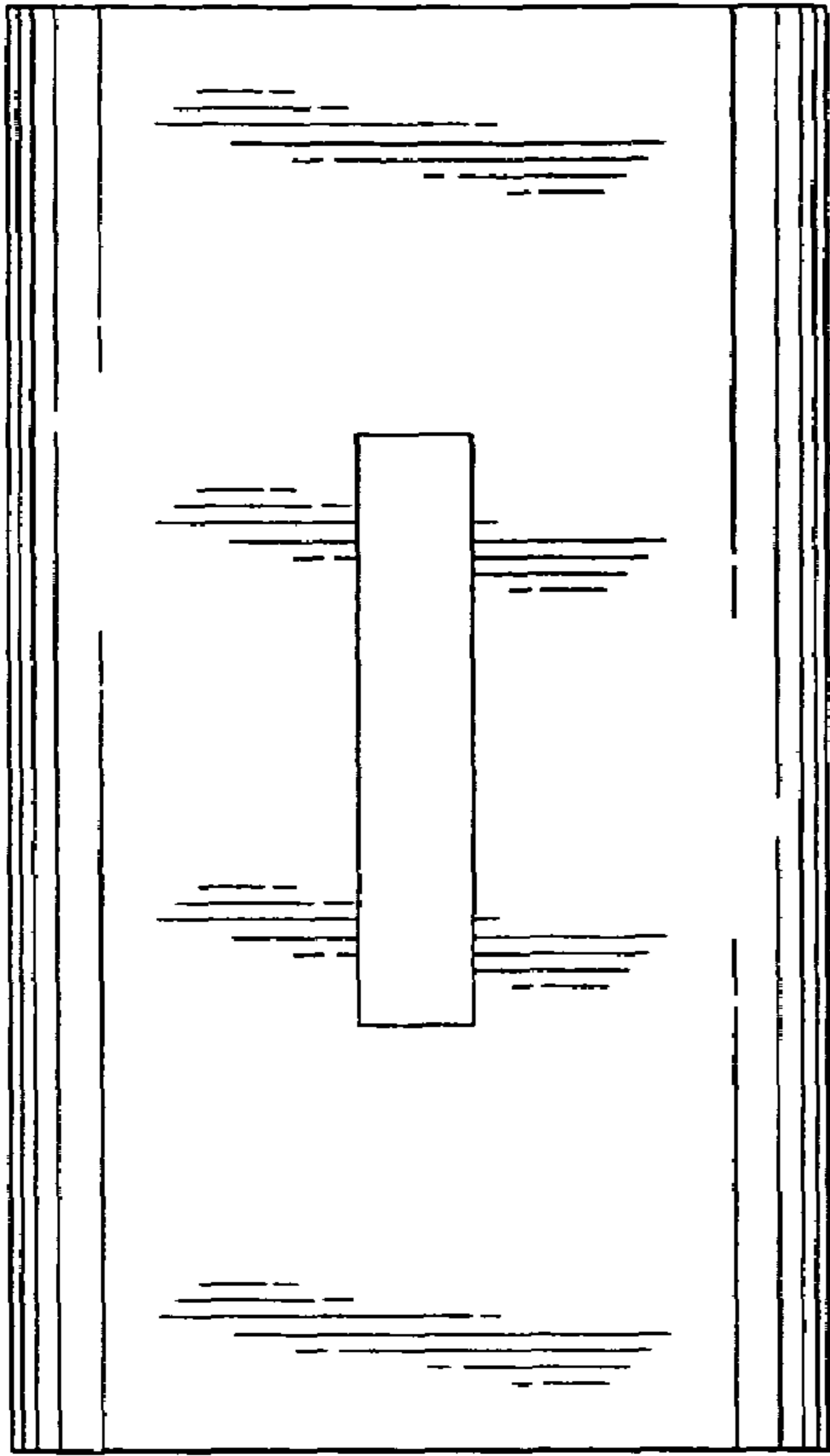


Fig. 4

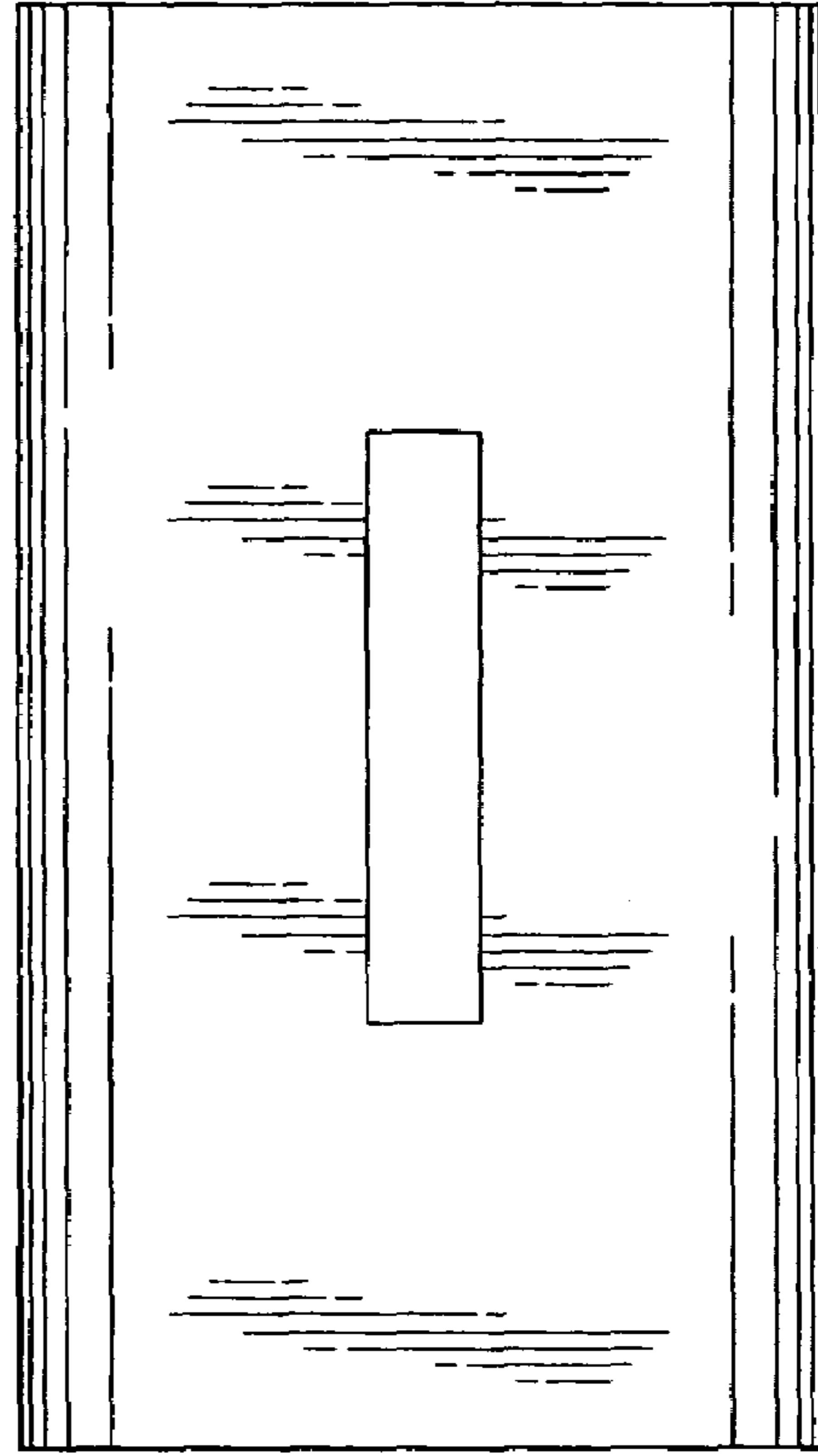


Fig. 5

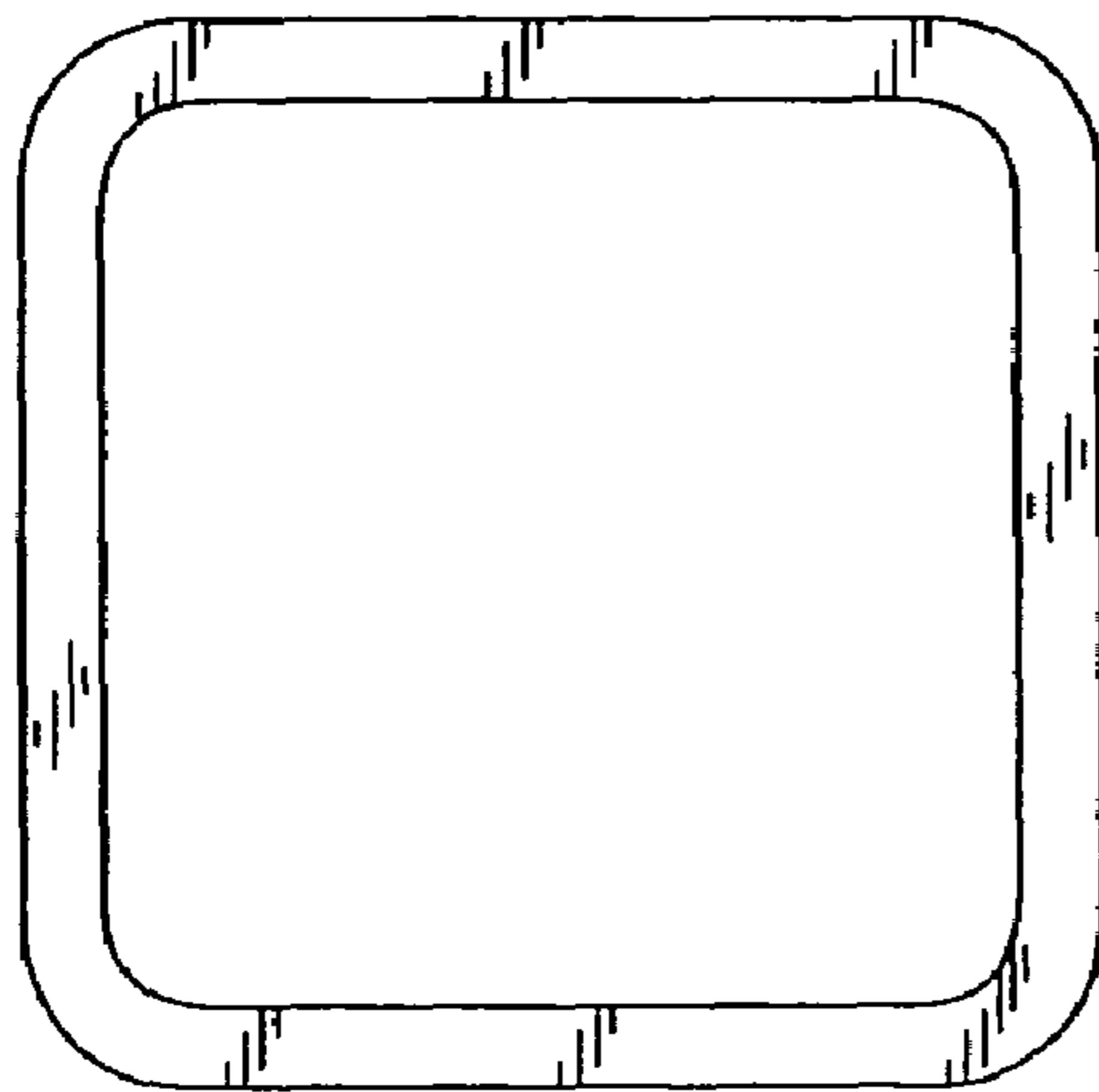


Fig. 6

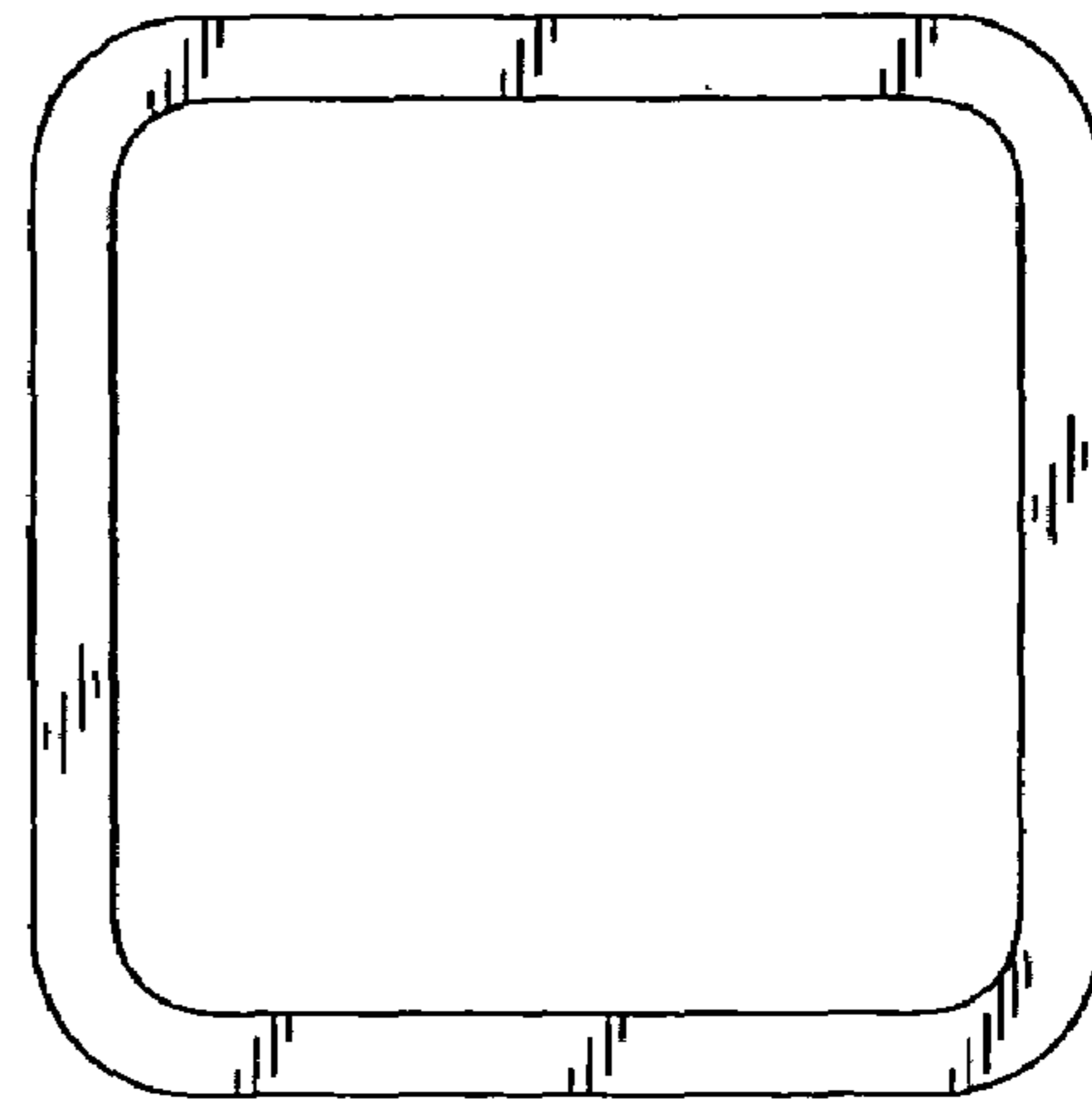


Fig. 7