



US00D565941S

(12) **United States Design Patent**  
**Peters et al.**

(10) **Patent No.:** **US D565,941 S**

(45) **Date of Patent:** **\*\* Apr. 8, 2008**

(54) **HOOK COUPLING**

2007/0137008 A1\* 6/2007 Anstee ..... 24/600.7

\* cited by examiner

(75) Inventors: **Eric Henricus Werner Peters**,  
Boxmeer (NL); **Adrianus Josephes**  
**Van De Nieuwelaar**, Gemert (NL); **Jan**  
**Willem Bos**, Haps (NL); **Jenneke**  
**Antonia Christina Lankhaar**,  
Zaltbommel (NL); **Pascal Peter Andre**  
**Van Kempen**, Boxmeer (NL)

*Primary Examiner*—Holly H. Baynham  
*Assistant Examiner*—Sheryl Friedman  
(74) *Attorney, Agent, or Firm*—Mark S. Leonardo; Brown  
Rudnick Berlack Israels LLP

(57) **CLAIM**

(73) Assignee: **Stork PMT B.V.**, Handelstraat (NL)

The ornamental design for a hook coupling, as shown and described.

(\*\*) Term: **14 Years**

(21) Appl. No.: **29/268,773**

**DESCRIPTION**

(22) Filed: **Nov. 13, 2006**

FIG. 1 illustrates a side perspective view of a hook coupling employing an ornamental design in accordance with the present invention;

(51) **LOC (8) Cl.** ..... **08-08**

(52) **U.S. Cl.** ..... **D8/382**

(58) **Field of Classification Search** ..... D8/382,  
D8/383

FIG. 2 illustrates a side plan view of the hook coupling of FIG. 1;

See application file for complete search history.

FIG. 3 is a top plan view of the hook coupling of FIG. 1; FIG. 4 is a side plan view of the hook coupling of FIG. 1; FIG. 5 is a back plan view of the hook coupling of FIG. 1; FIG. 6 is a bottom plan view of the hook coupling of FIG. 1; and,

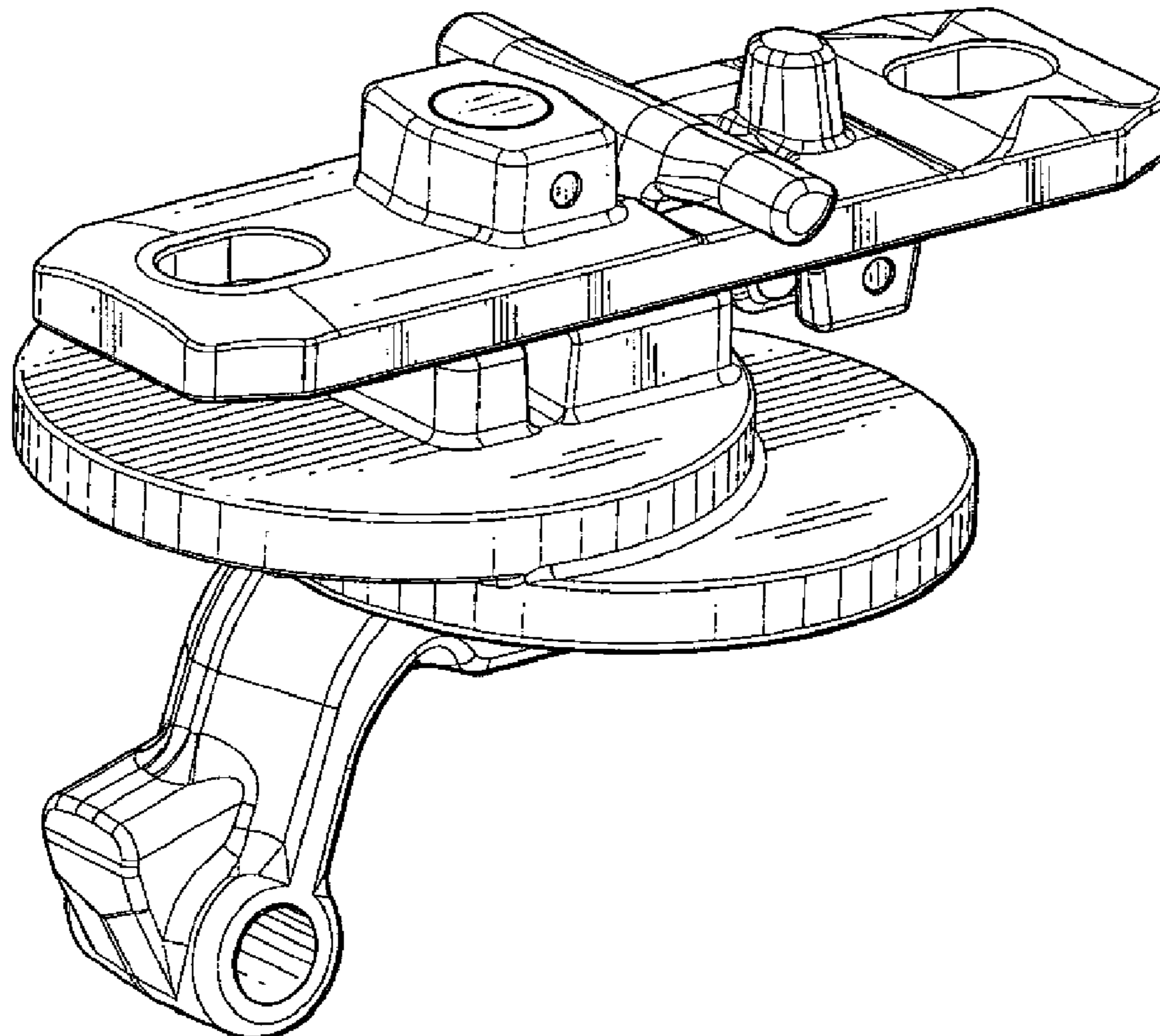
(56) **References Cited**

**U.S. PATENT DOCUMENTS**

4,279,431 A \* 7/1981 Schott ..... 280/508  
4,366,967 A \* 1/1983 Vollmer et al. .... 280/504  
5,050,684 A \* 9/1991 Vollmer ..... 172/272

FIG. 7 is a front plan view of the hook coupling of FIG. 1.

**1 Claim, 7 Drawing Sheets**



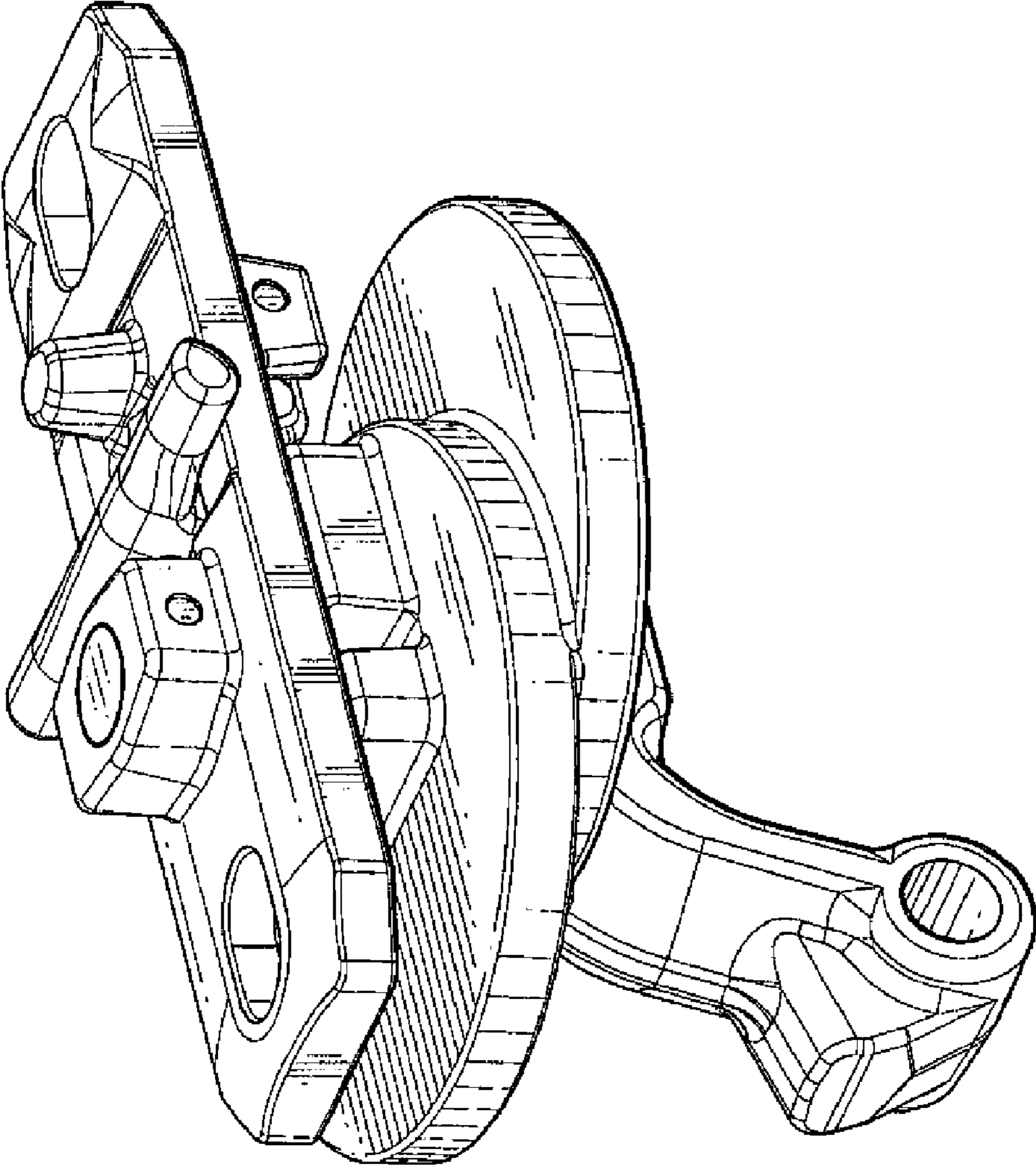
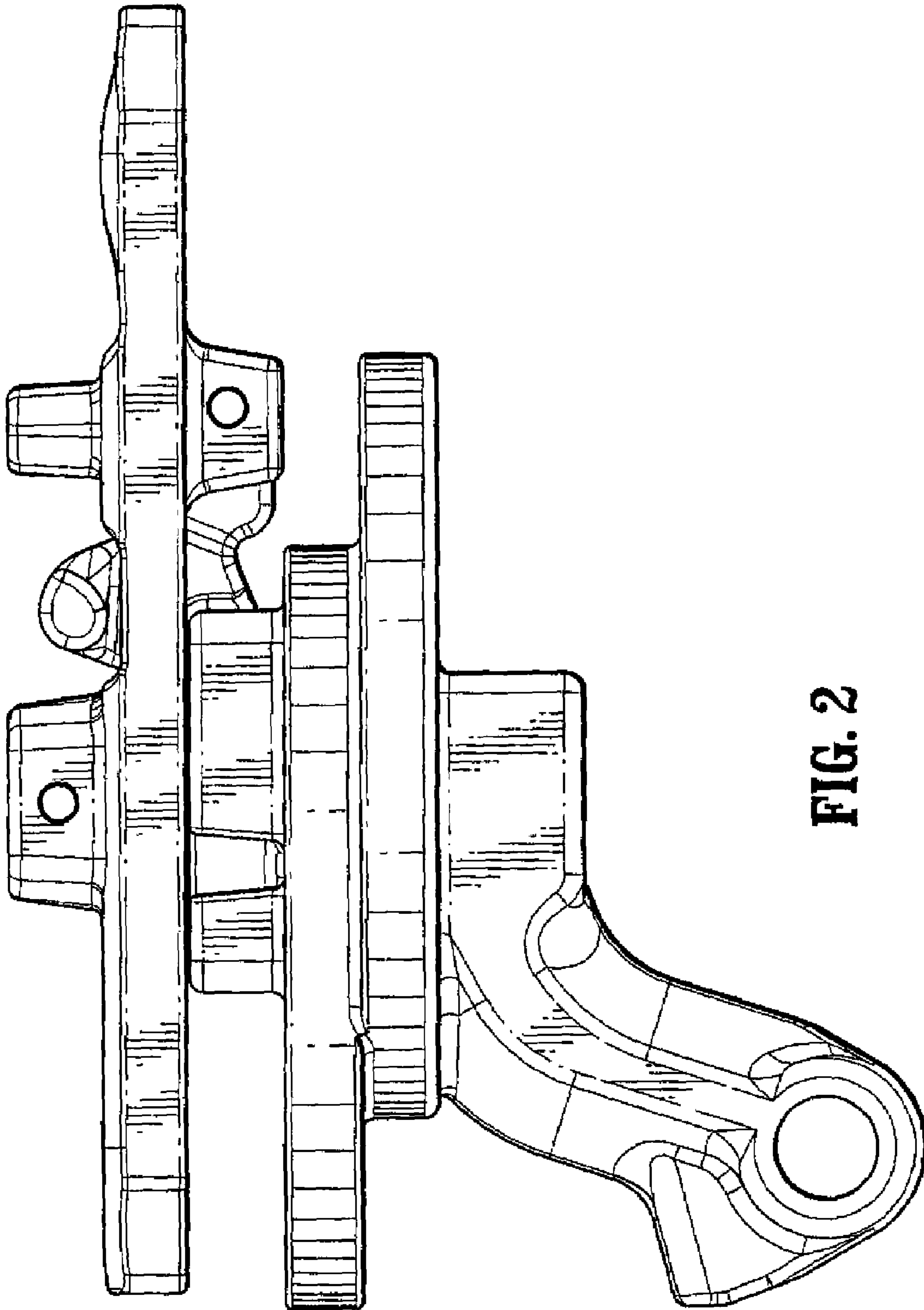
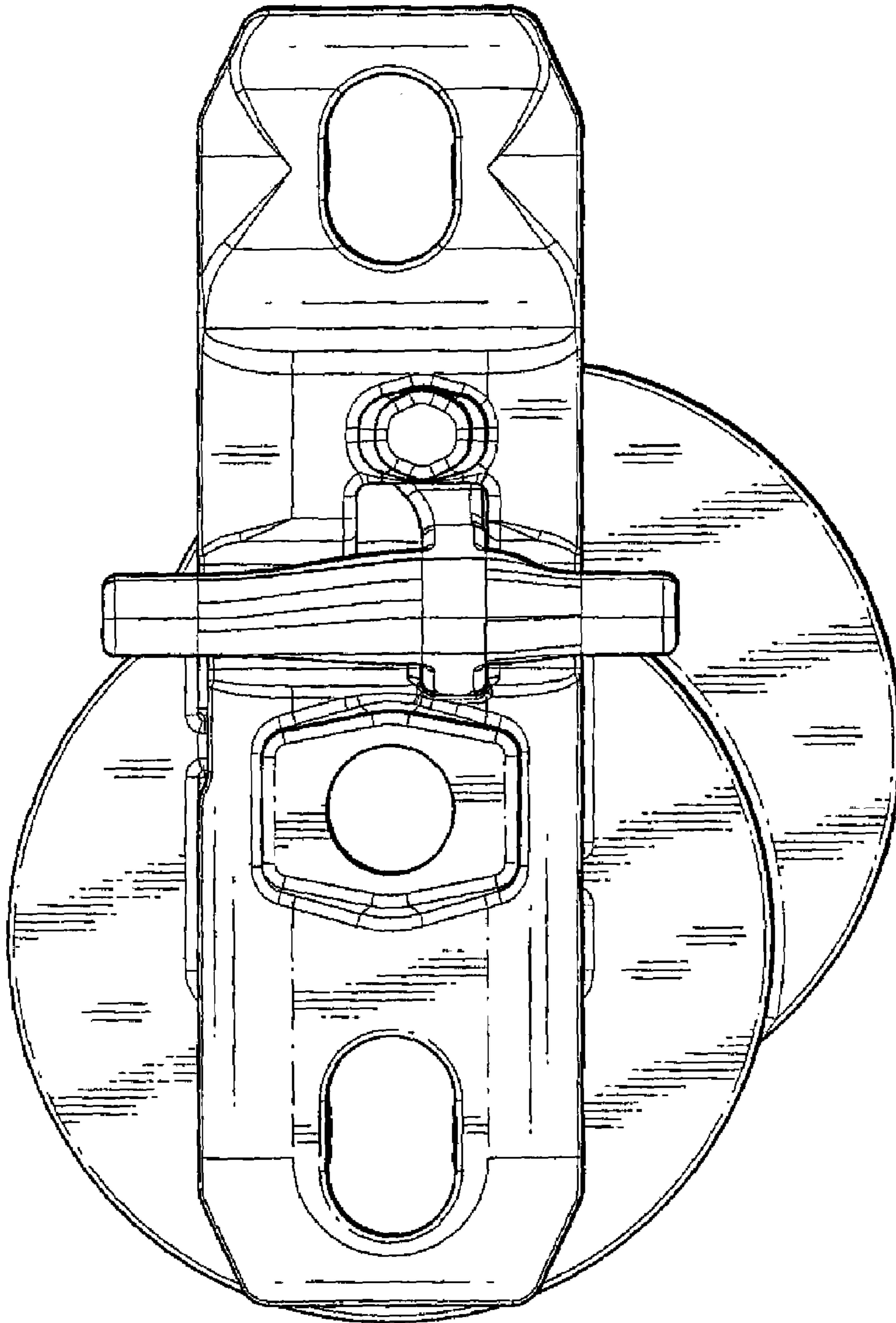


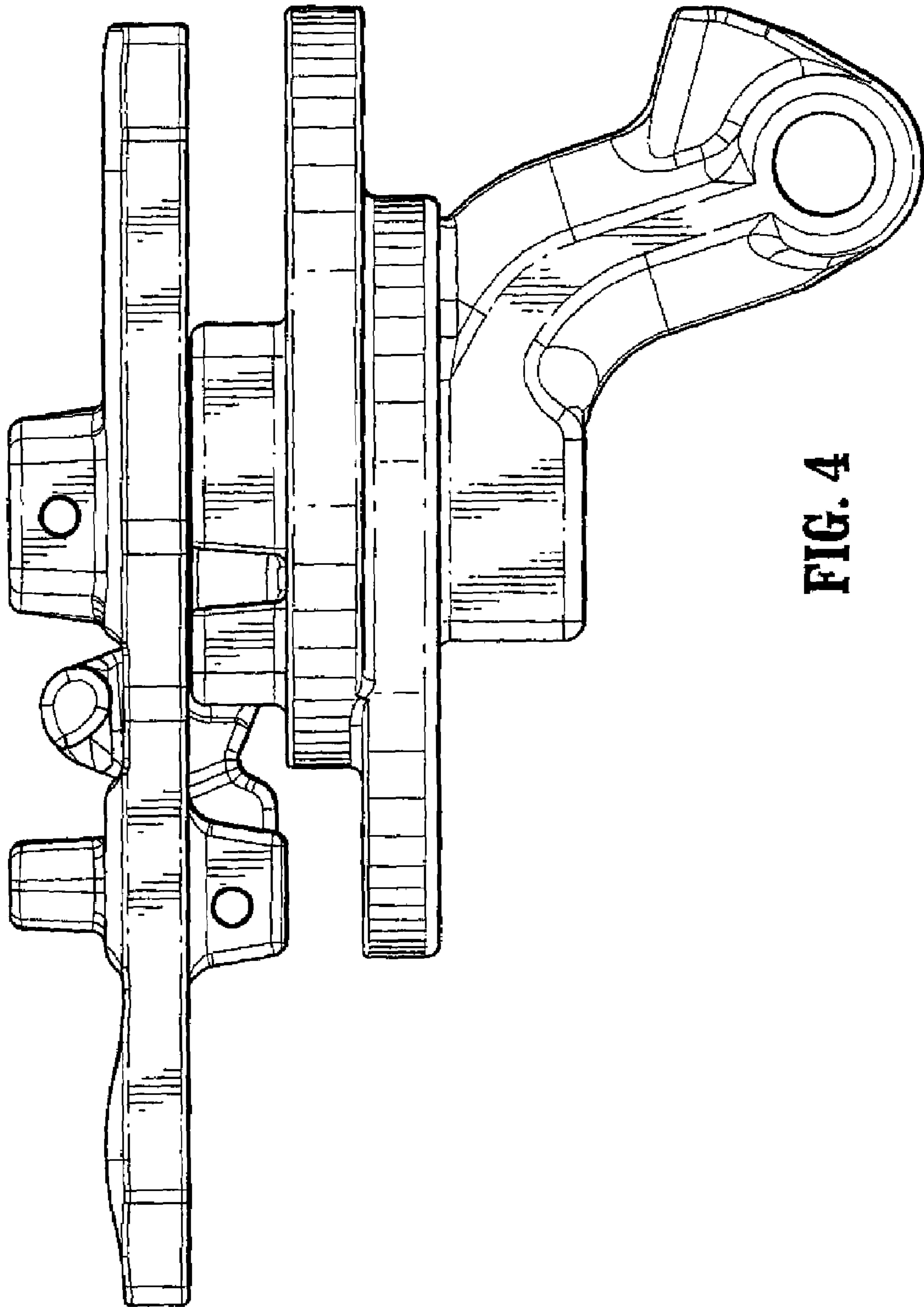
FIG. 1



**FIG. 2**

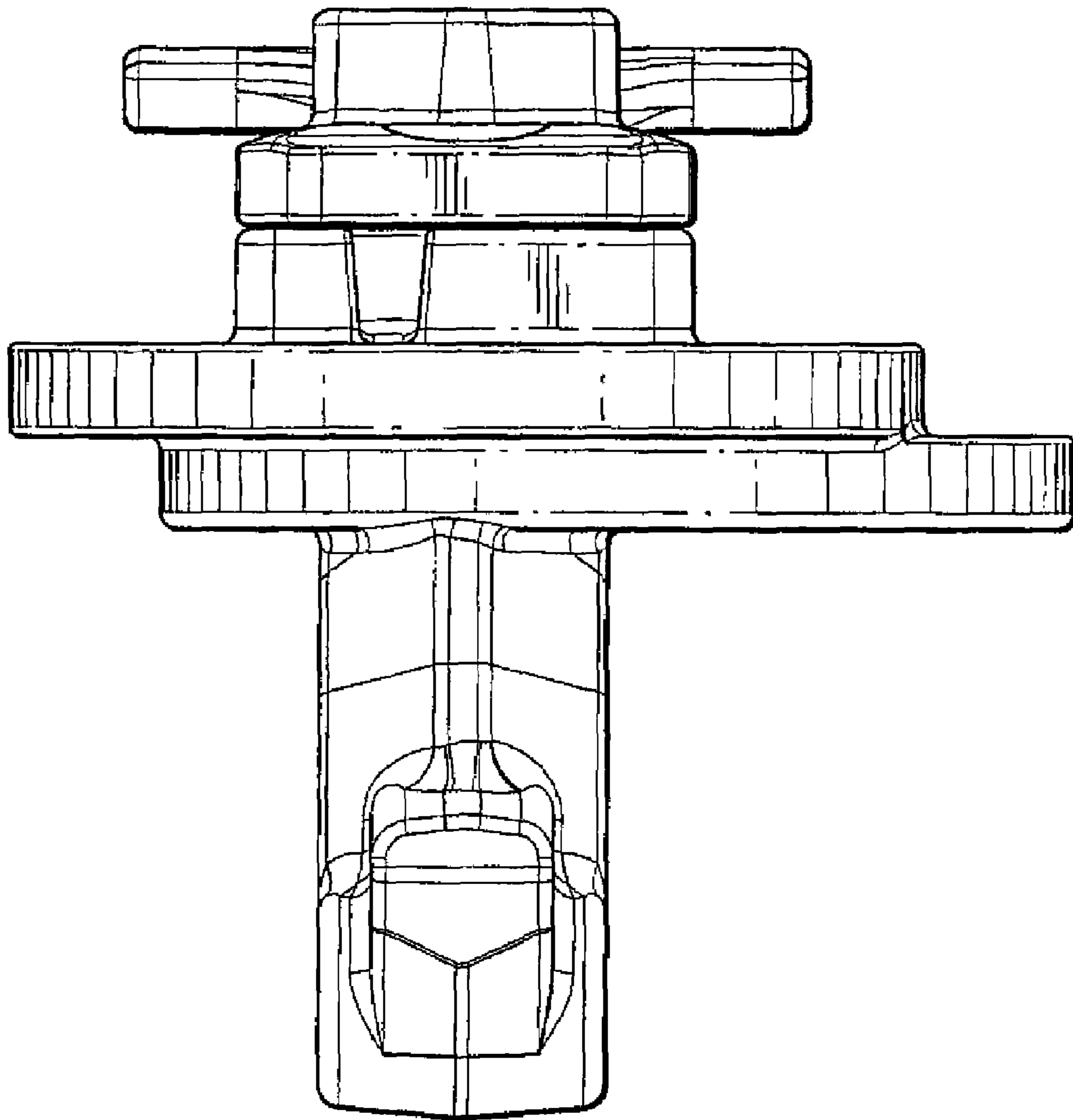


**FIG. 3**

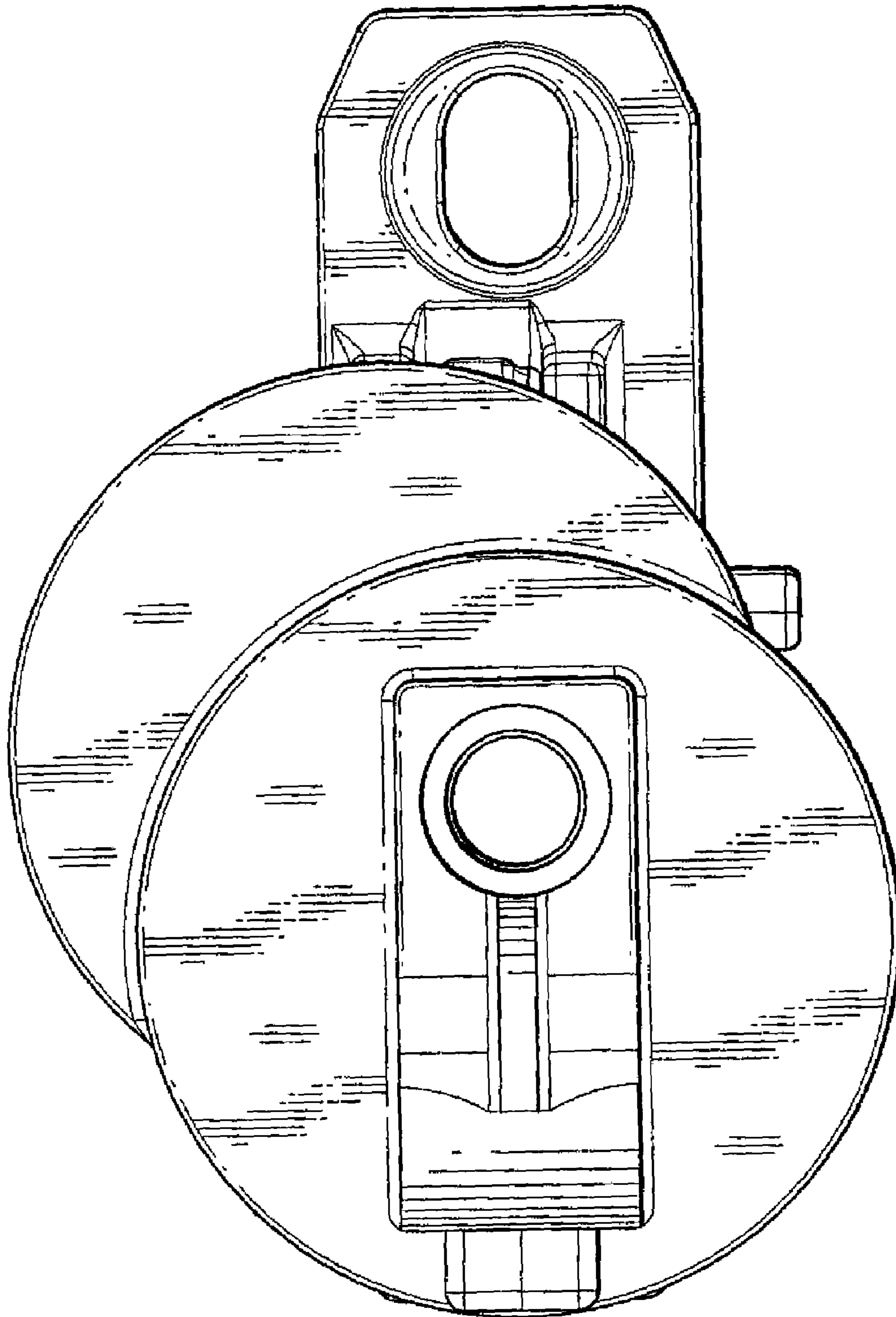


**FIG. 4**

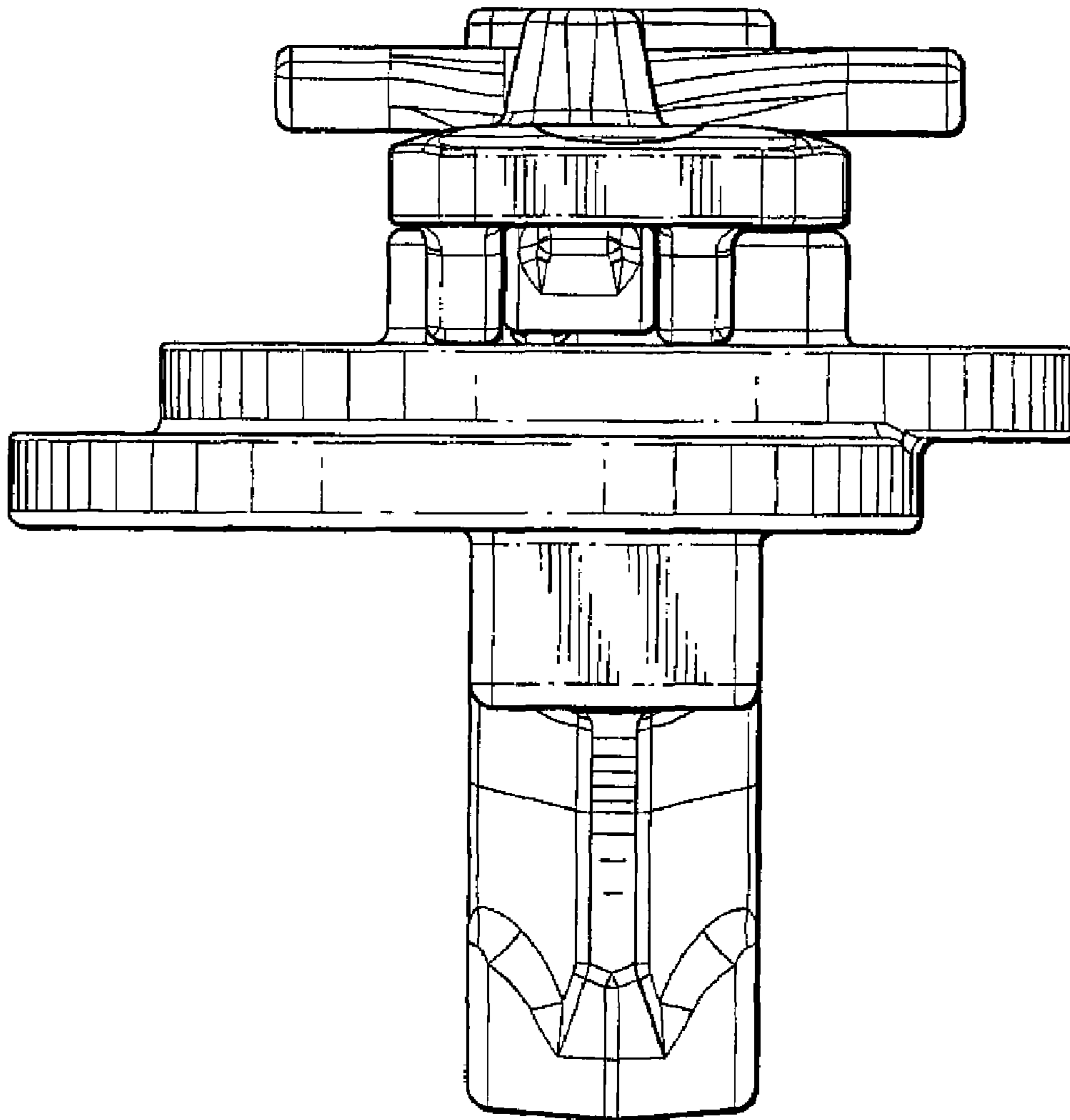




**FIG. 5**



**FIG. 6**



**FIG. 7**