



US00D565940S

(12) **United States Design Patent**
Holt et al.

(10) **Patent No.: US D565,940 S**

(45) **Date of Patent: ** Apr. 8, 2008**

(54) **HEAD RAIL FOR RETRACTABLE
COVERING FOR ARCHITECTURAL
OPENINGS**

D450,234 S * 11/2001 Bosgoed D8/377
6,532,625 B1 * 3/2003 Stone 16/87.4 R

* cited by examiner

(75) Inventors: **Ronald Holt**, Westminster, CO (US);
Daniel Fluckey, Englewood, CO (US);
Marek Jarosinski, Brighton, CO (US)

Primary Examiner—Holly H. Baynham
(74) *Attorney, Agent, or Firm*—Dorsey & Whitney LLP

(73) Assignee: **Hunter Douglas Inc.**, Upper Saddle
River, NJ (US)

(57) **CLAIM**

The ornamental design for a head rail for retractable cov-
ering for architectural openings, as shown and described.

(**) Term: **14 Years**

DESCRIPTION

(21) Appl. No.: **29/248,262**

FIG. 1 is an isometric of the head rail of the invention with
a retractable covering shown in dashed lines, which is
included for illustrative purposes only and forms no part of
the claimed design.

(22) Filed: **Aug. 7, 2006**

(51) **LOC (8) Cl.** **08-05**

(52) **U.S. Cl.** **D8/377**

(58) **Field of Classification Search** D8/377;
D25/119, 125; 160/330, 342, 345, 22, 29
See application file for complete search history.

FIG. 2 is an enlarged top, front perspective view

FIG. 3 is a top plan view.

FIG. 4 is a left end elevation.

FIG. 5 is a front elevation.

FIG. 6 is a bottom plan view.

FIG. 7 is a right end elevation; and,

FIG. 8 is a rear elevation.

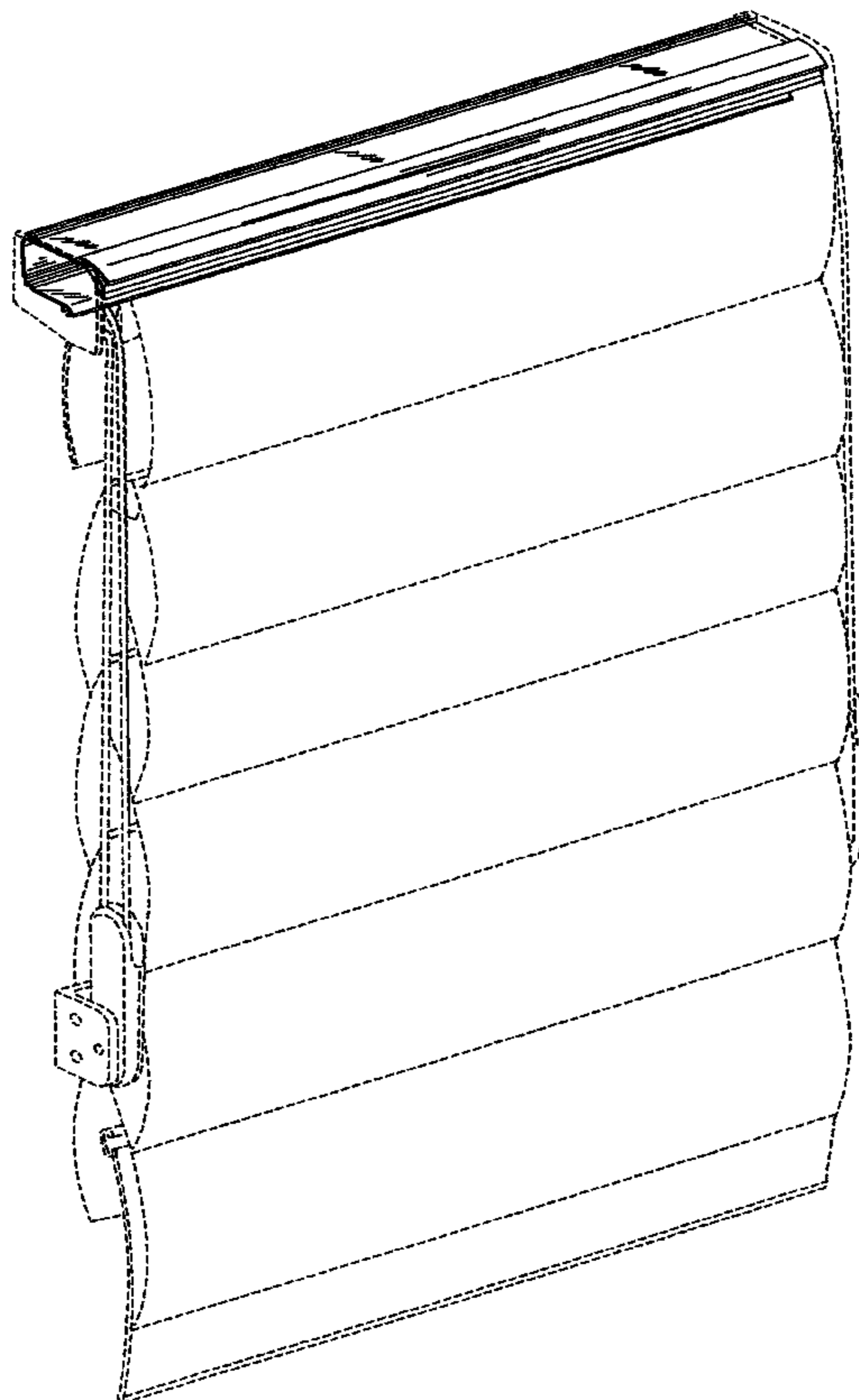
The drawings are shown broken away in FIGS. 2–8 for ease
of illustration.

(56) **References Cited**

U.S. PATENT DOCUMENTS

- D199,187 S * 9/1964 Ford D8/377
- D202,779 S * 11/1965 Rosenbaum D8/377
- D231,326 S * 4/1974 Miki D8/377
- D266,143 S * 9/1982 Smith D8/377
- D345,498 S * 3/1994 Fraser et al. D8/377
- D381,890 S * 8/1997 Levy D8/377

1 Claim, 3 Drawing Sheets



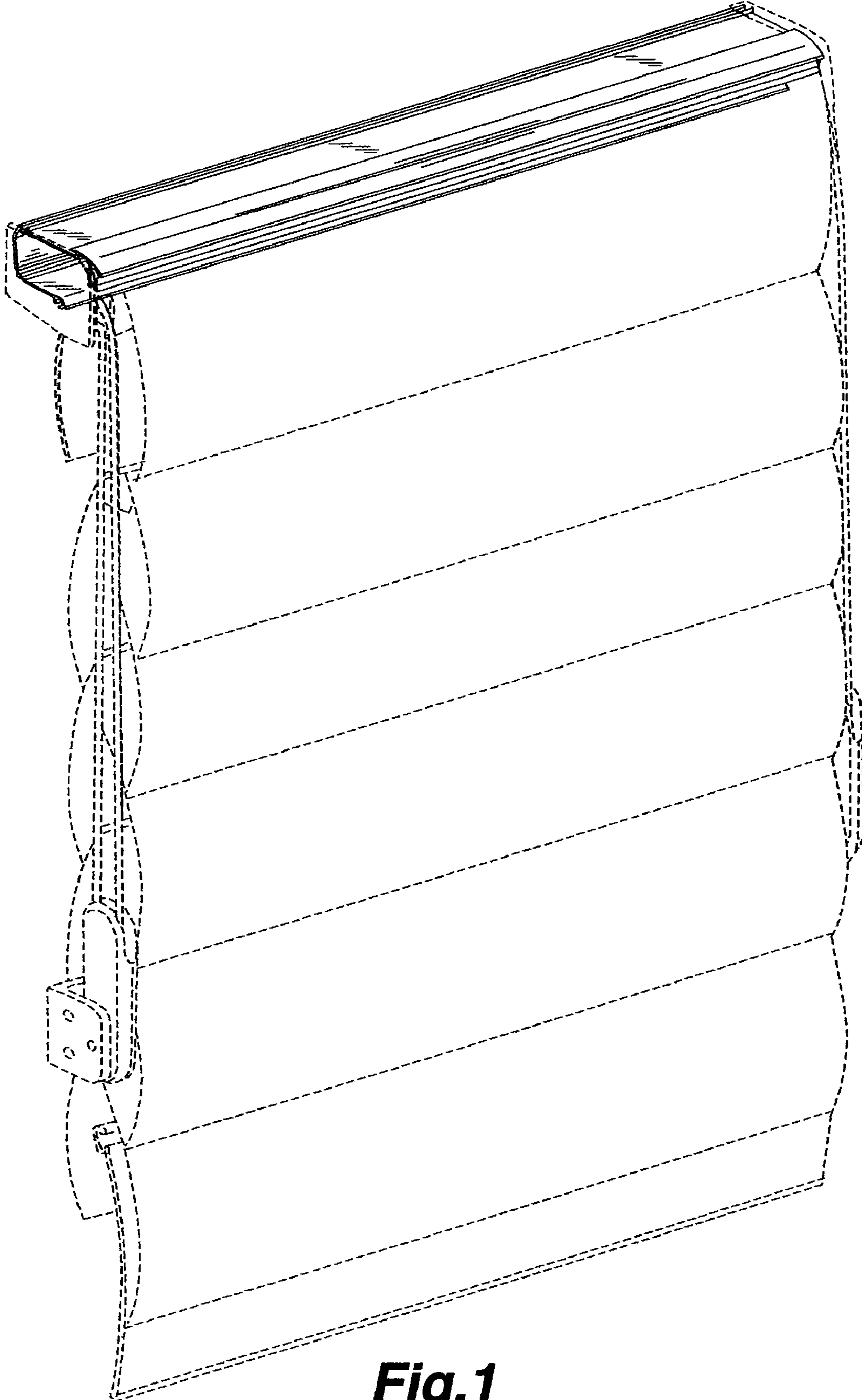


Fig.1

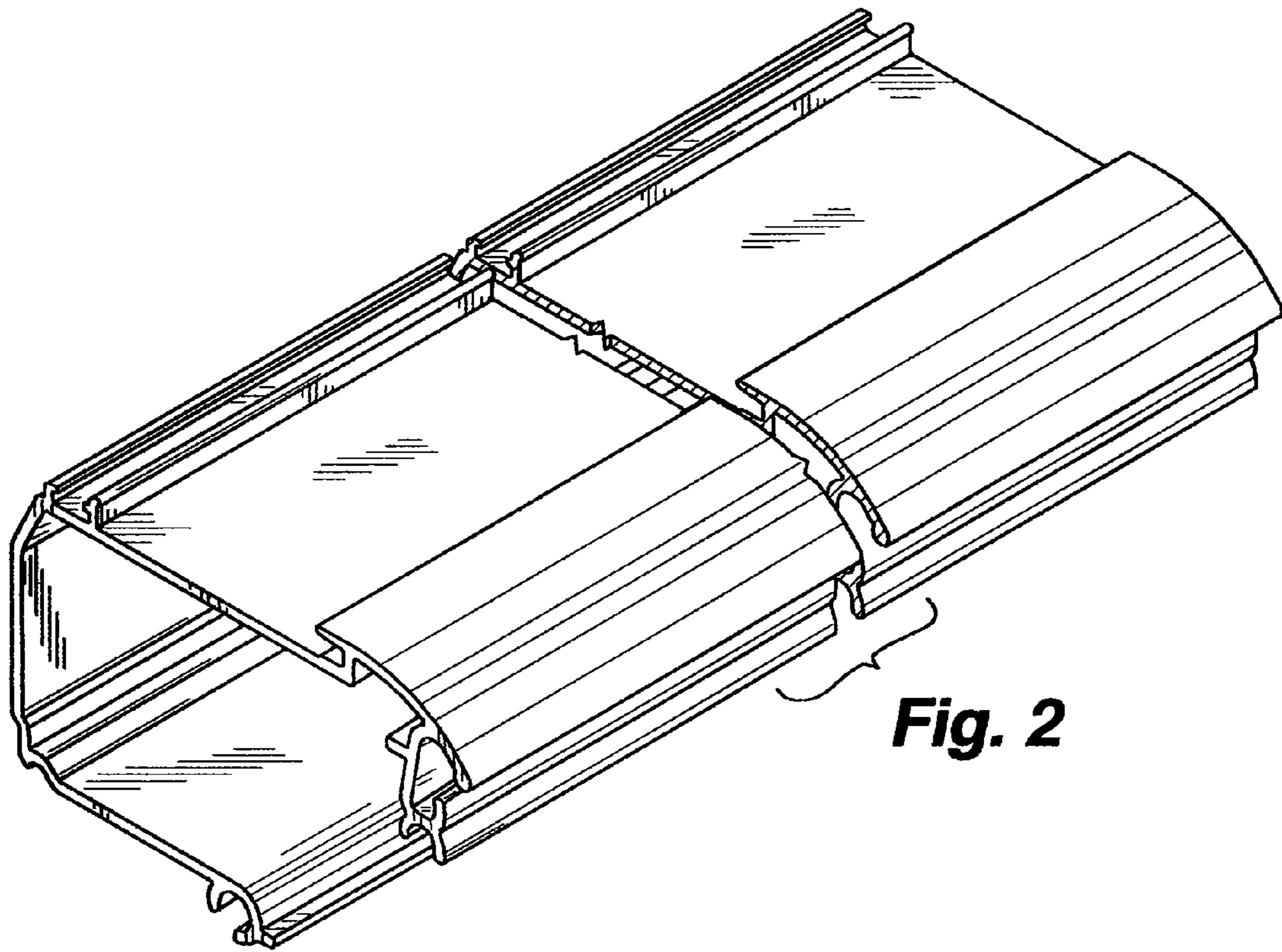


Fig. 2

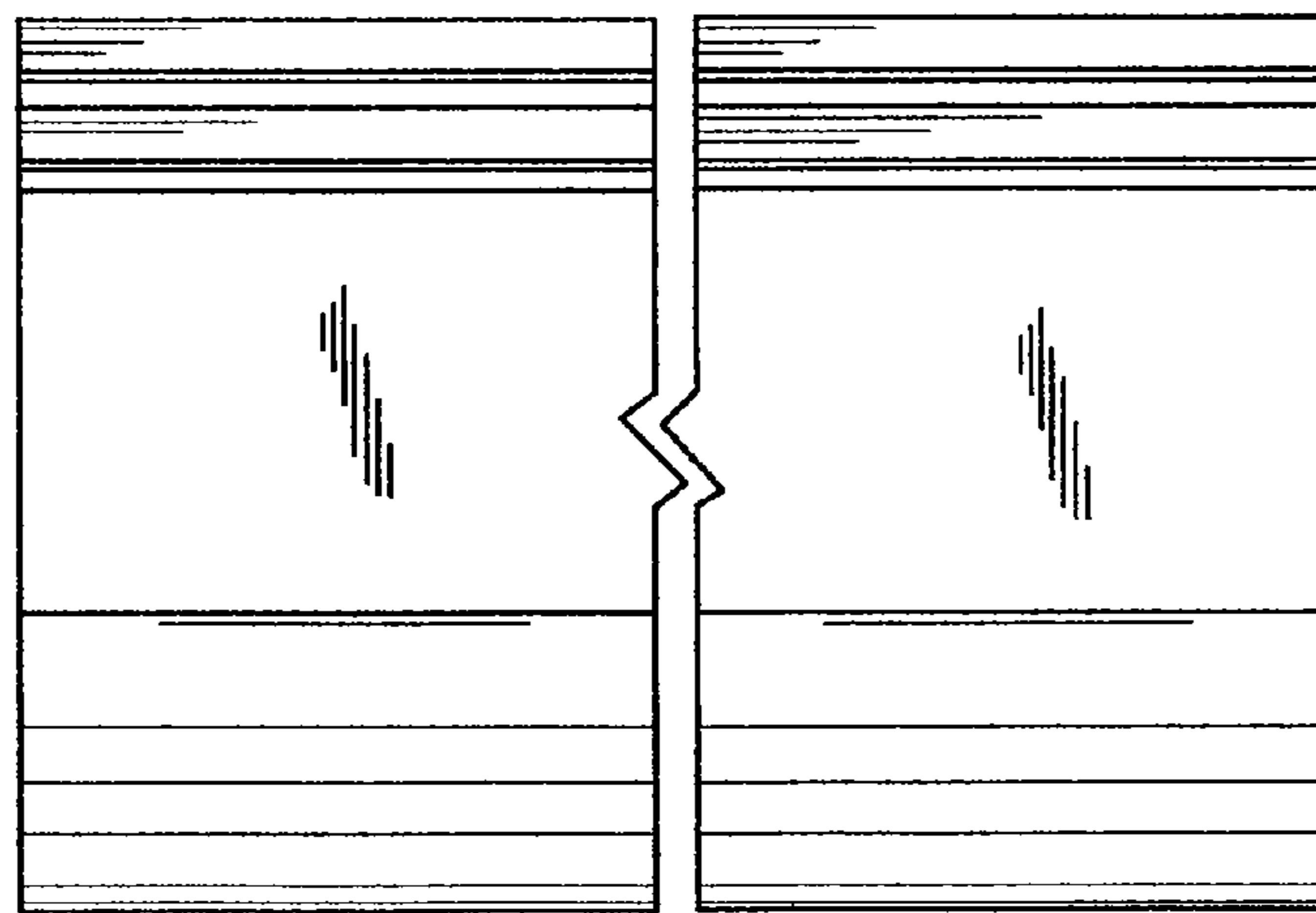


Fig. 3

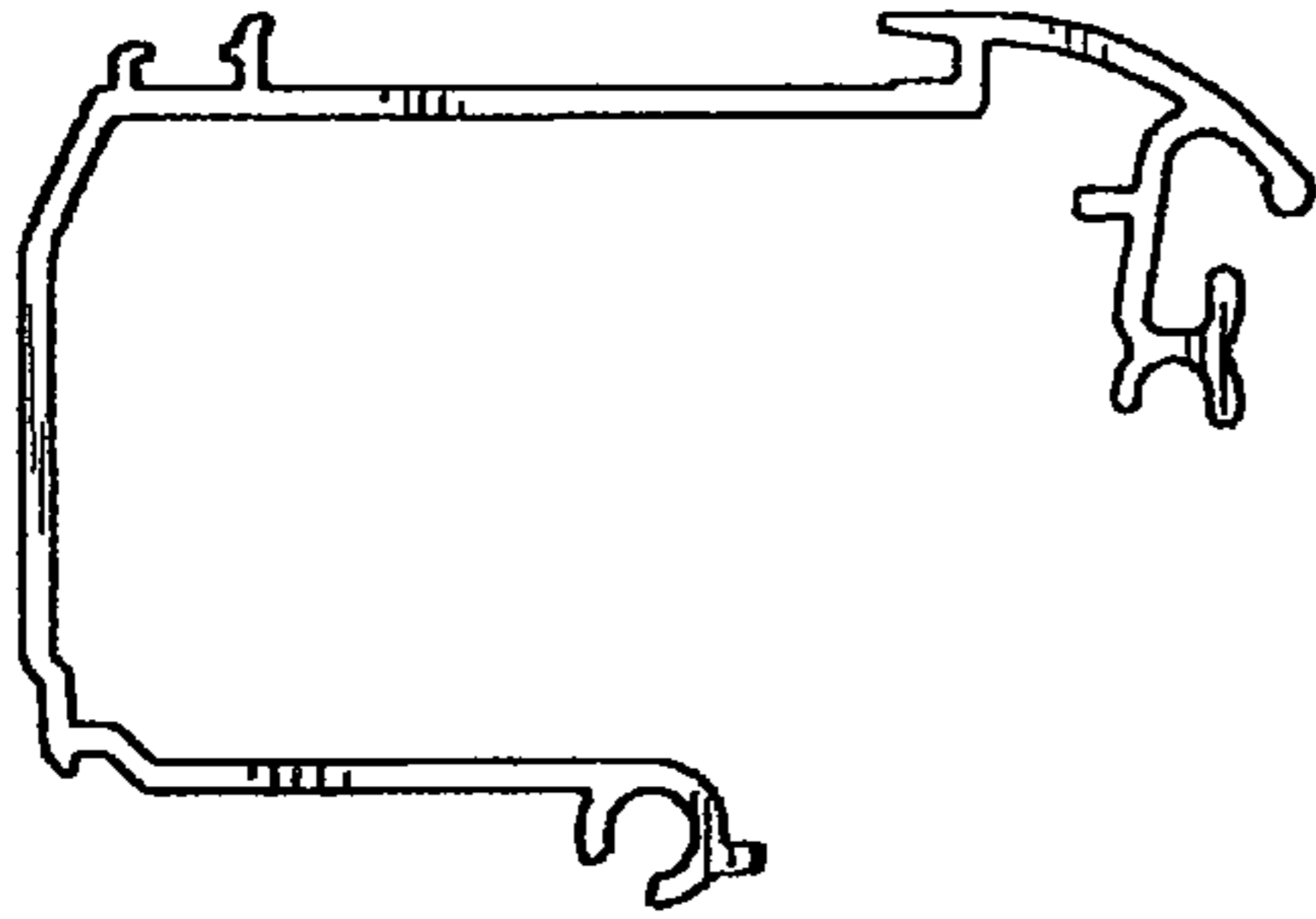


Fig. 4

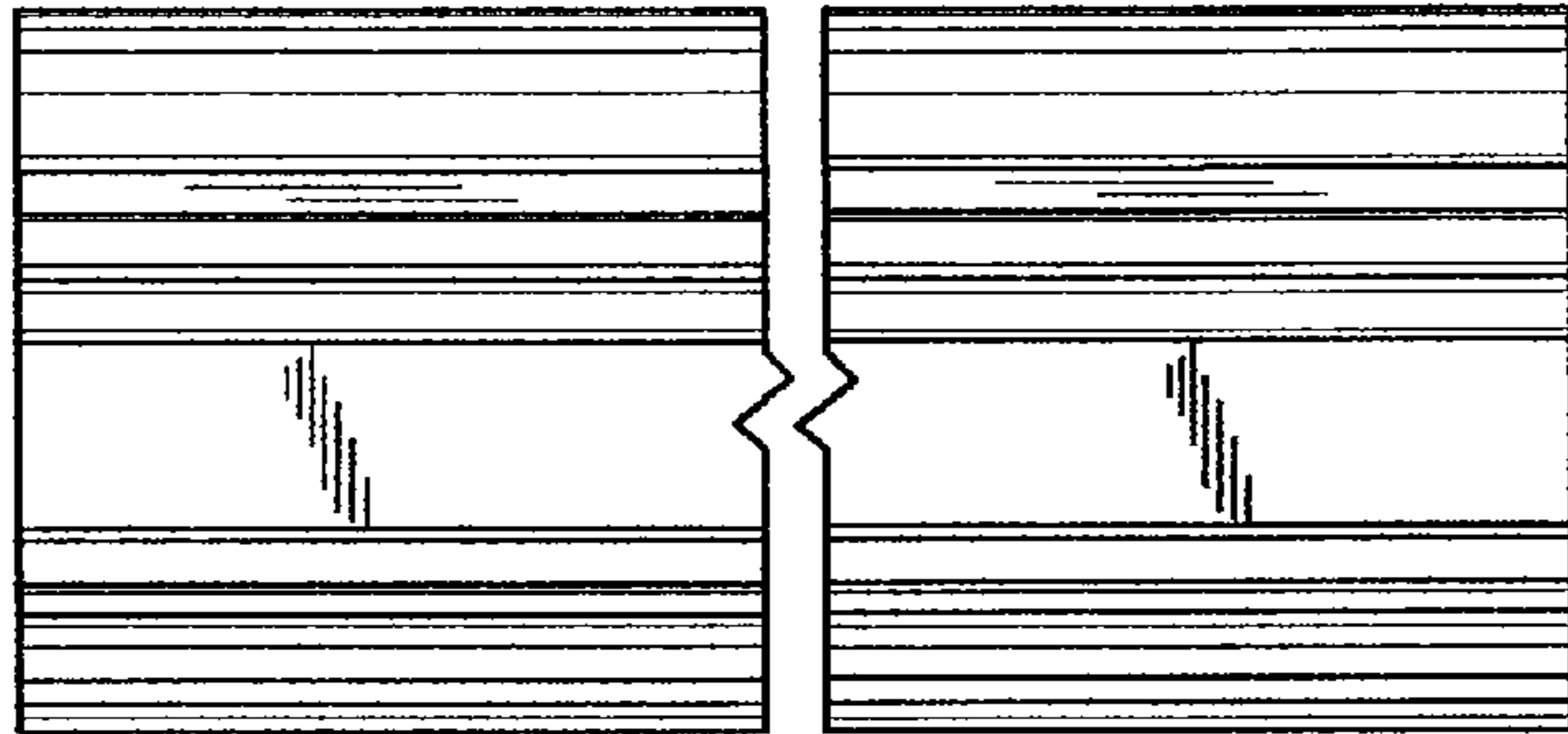


Fig. 5

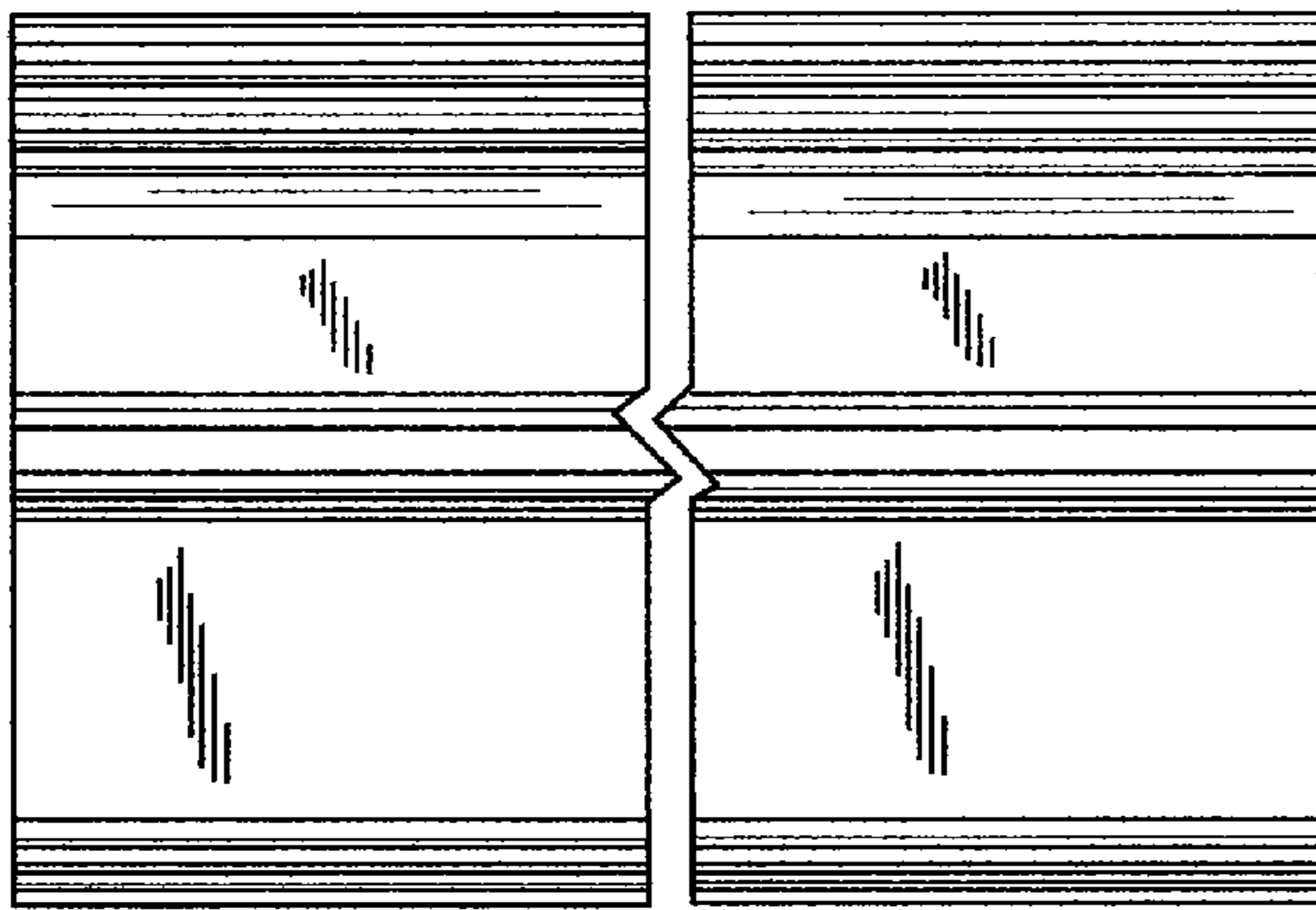


Fig. 6

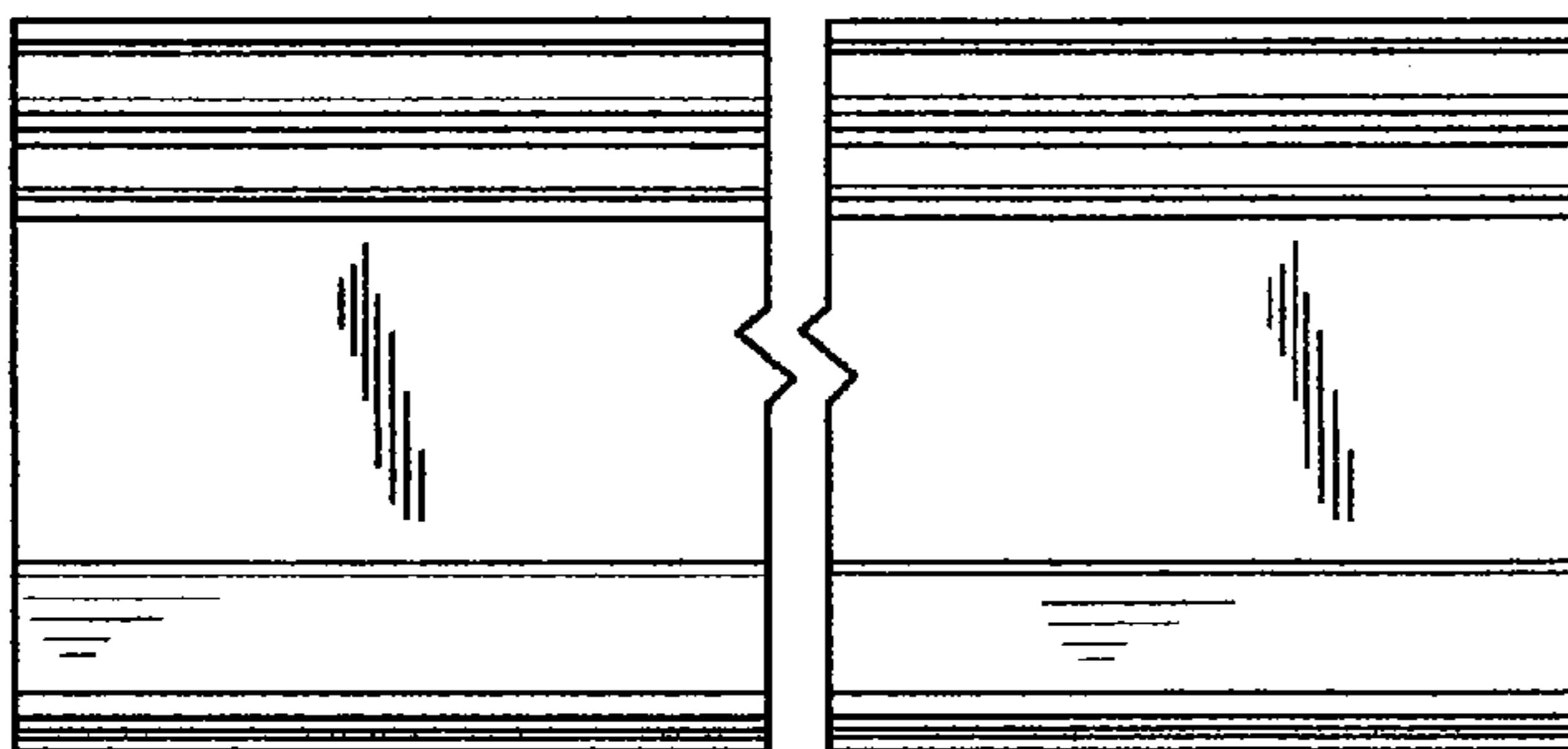


Fig. 7

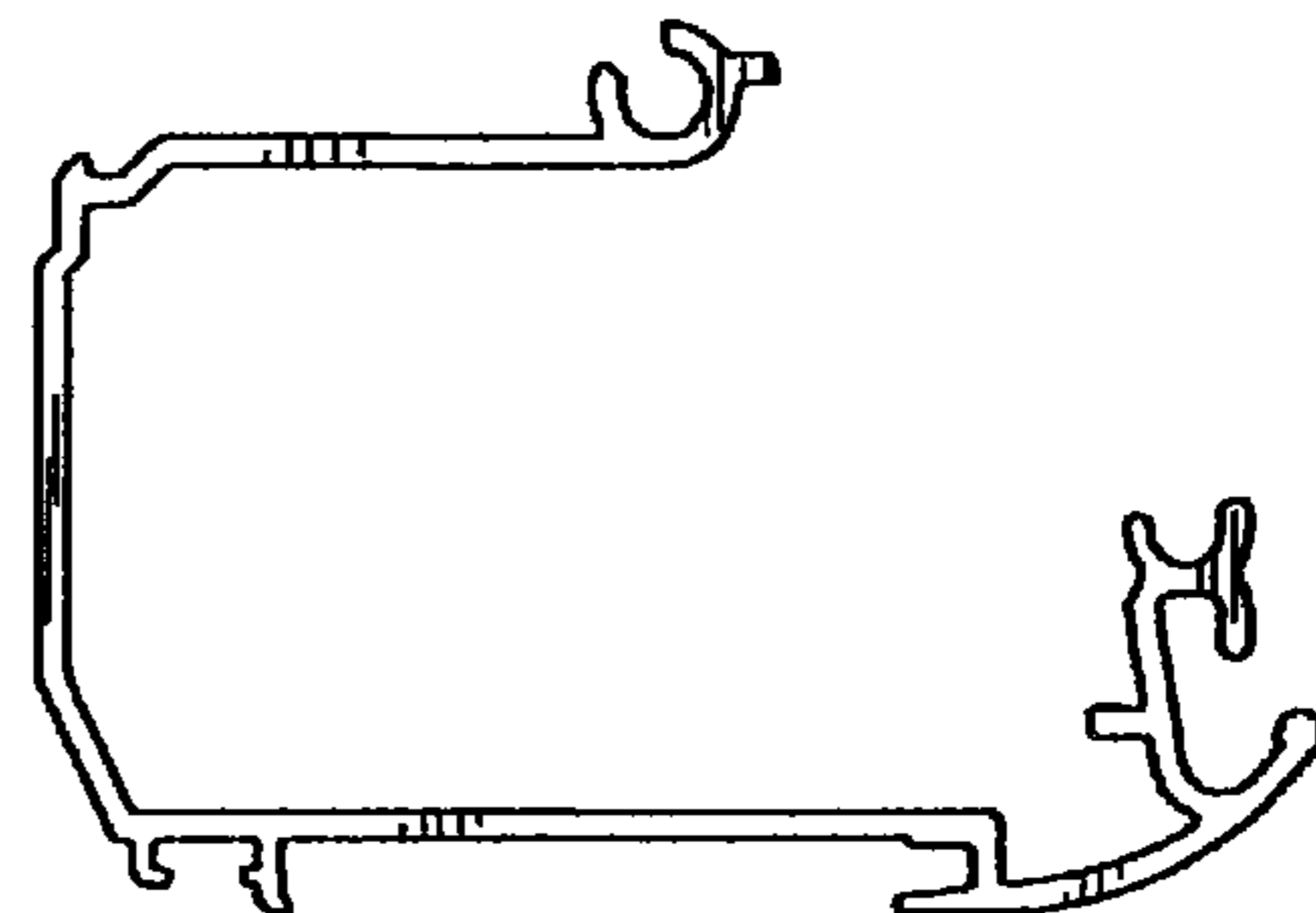


Fig. 8