



US00D565937S

(12) **United States Design Patent**
Tsai

(10) **Patent No.:** **US D565,937 S**

(45) **Date of Patent:** **** Apr. 8, 2008**

(54) **SUPPORT**

(75) Inventor: **Hsin-I Canny Tsai**, Sheboygan, WI (US)

(73) Assignee: **Kohler Co.**, Kohler, WI (US)

(**) Term: **14 Years**

(21) Appl. No.: **29/252,728**

(22) Filed: **Jan. 26, 2006**

(51) **LOC (8) Cl.** **08-05**

(52) **U.S. Cl.** **D8/363**

(58) **Field of Classification Search** D8/363,
D8/373; 248/309.1, 301, 304; 211/87.01
See application file for complete search history.

(56) **References Cited**

U.S. PATENT DOCUMENTS

D451,687 S	*	12/2001	Sun et al.	D6/323
D472,061 S	*	3/2003	Hoernig	D6/323
D526,132 S	*	8/2006	Solowiej	D6/323
D526,494 S	*	8/2006	Fields	D6/323

OTHER PUBLICATIONS

Kohler Co., robe hook, catalog.

Kohler Co., robe hook, Collection "Bancroft" accessories line, art from pending U.S. Appl. No. 29/226,332, filed Mar. 28, 2005.

Kohler Co., robe hook, Collection "Pinstripe".
Ornate Accessories, "Hexagon", catalog page.

* cited by examiner

Primary Examiner—Holly H. Baynham

(74) *Attorney, Agent, or Firm*—Quarles & Brady LLP

(57) **CLAIM**

The ornamental design for a support, as shown and described.

DESCRIPTION

In a preferred embodiment, the nature of this product is a wall mountable support, such as one useful to support a robe hook.

FIG. 1 is a right, top, front perspective view of a support according to my new design;

FIG. 2 is a front elevational view thereof;

FIG. 3 is a left side elevational view thereof, the right side elevational view thereof being a mirror image of the left side view shown;

FIG. 4 is a top plan view thereof, the bottom plan view thereof being a mirror image of the top view shown; and,

FIG. 5 is a rear elevational view thereof.

The broken line representations of wall hook environment in FIG. 1, an opening in FIG. 2 and rear wall structure in FIG. 5 are for the purpose of illustration only, and form no part of the claimed design.

1 Claim, 1 Drawing Sheet

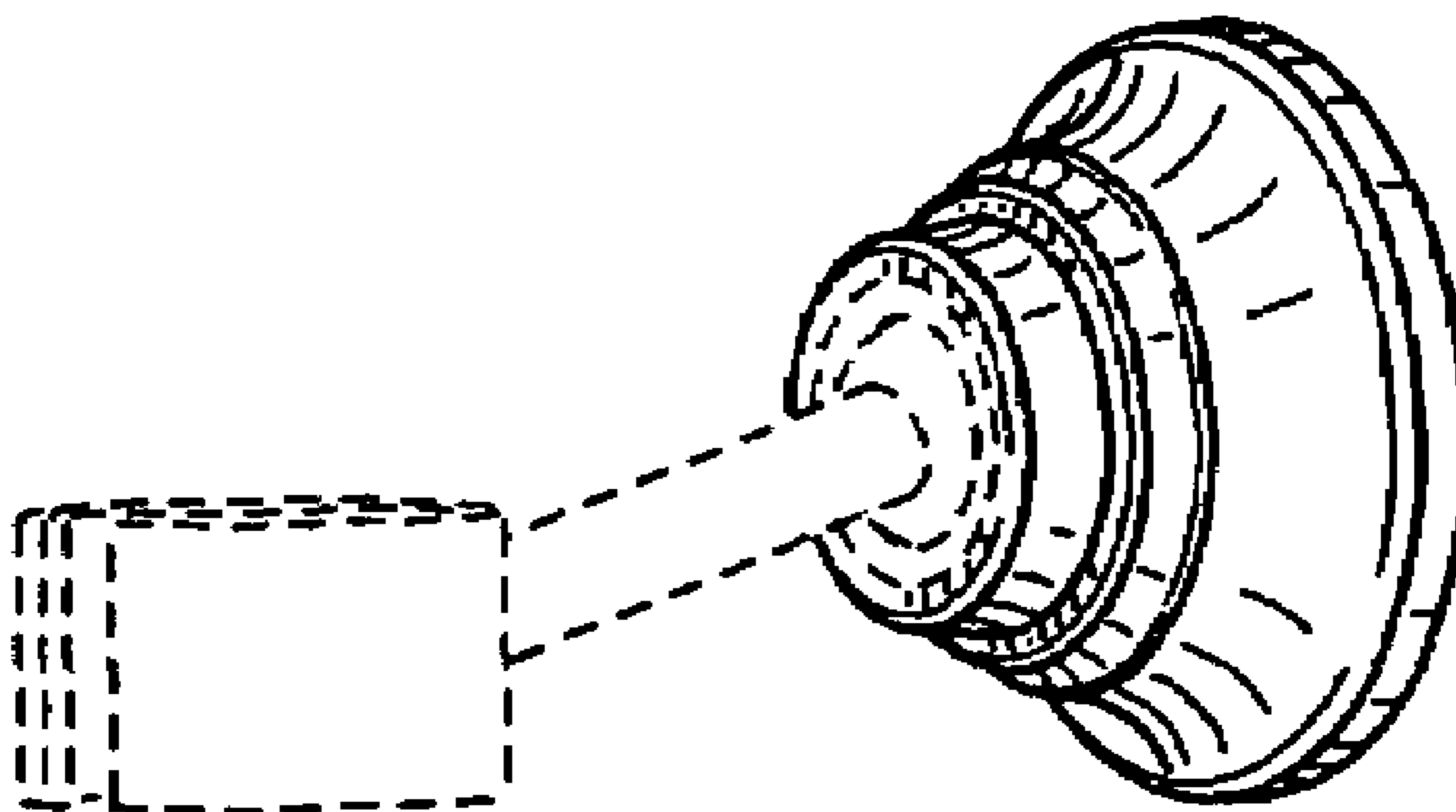


FIG. 1

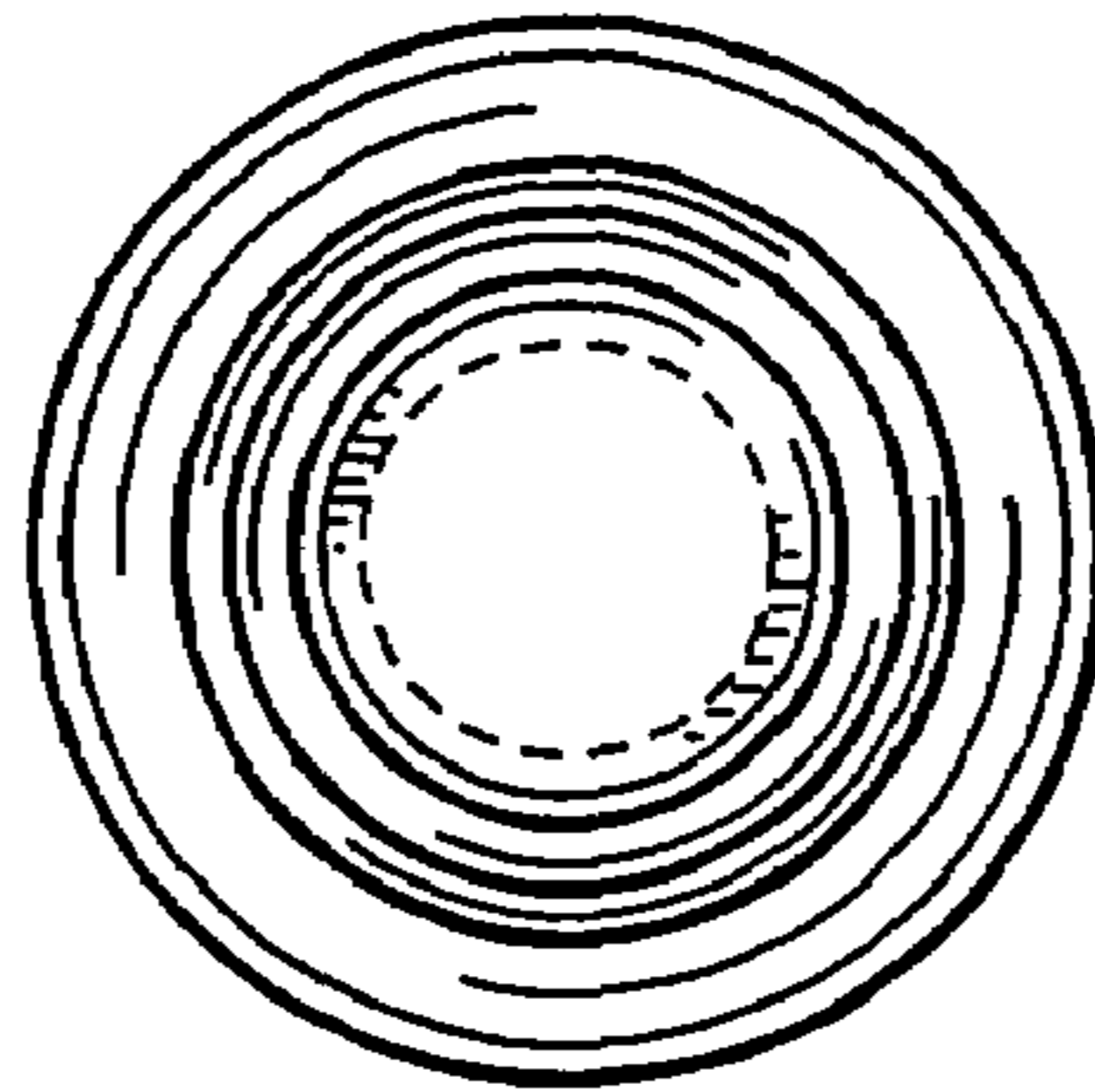
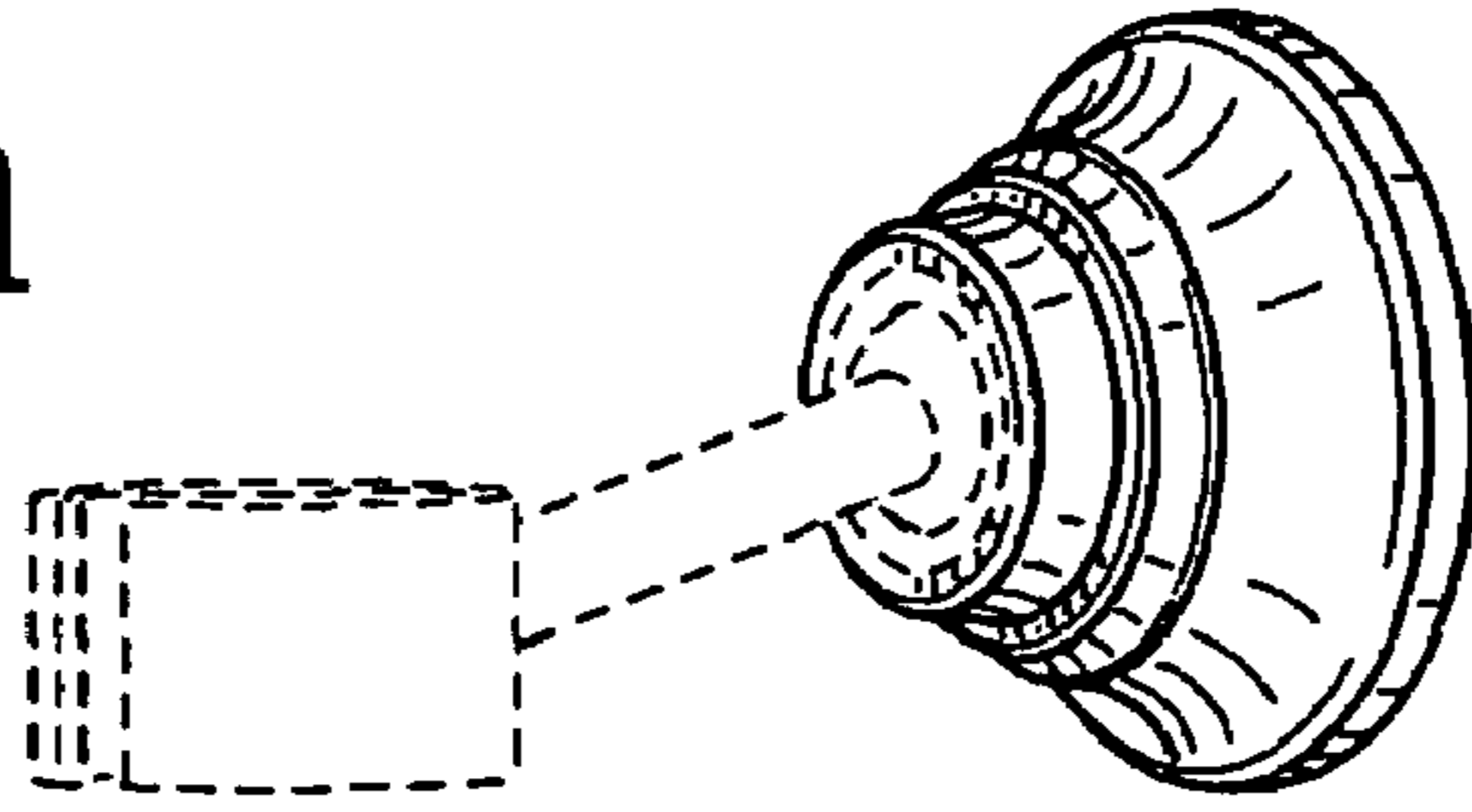


FIG. 2

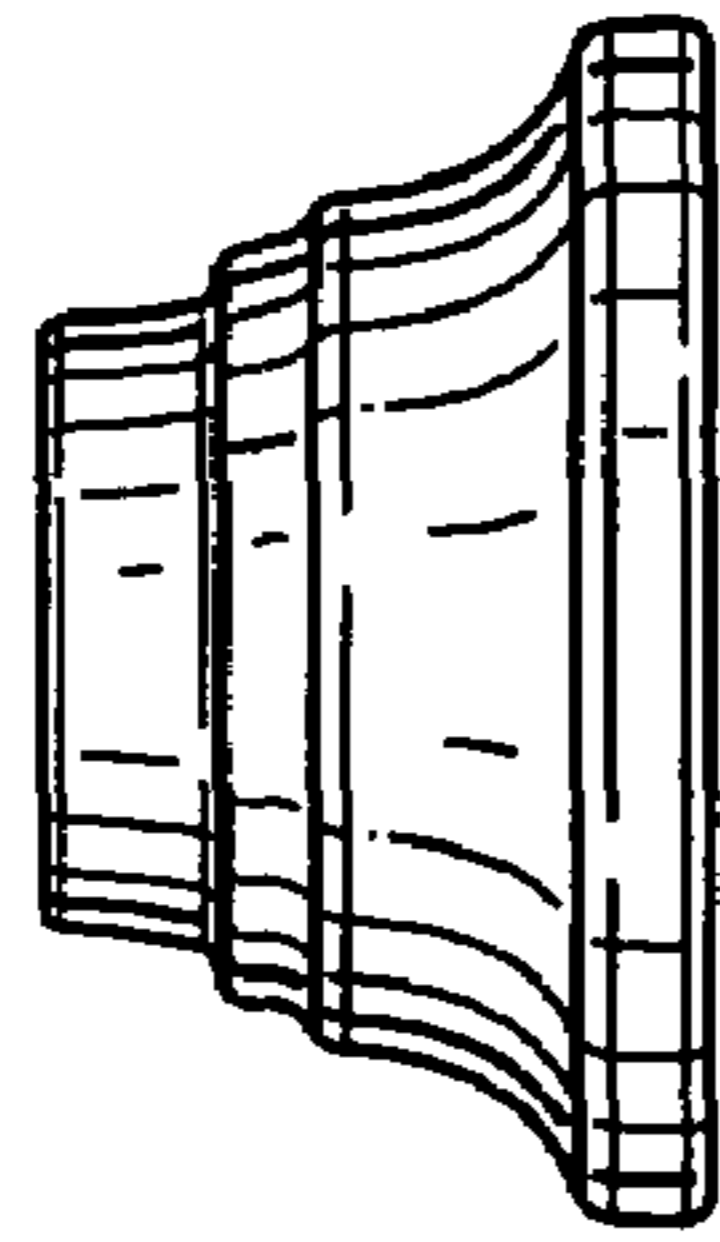


FIG. 3

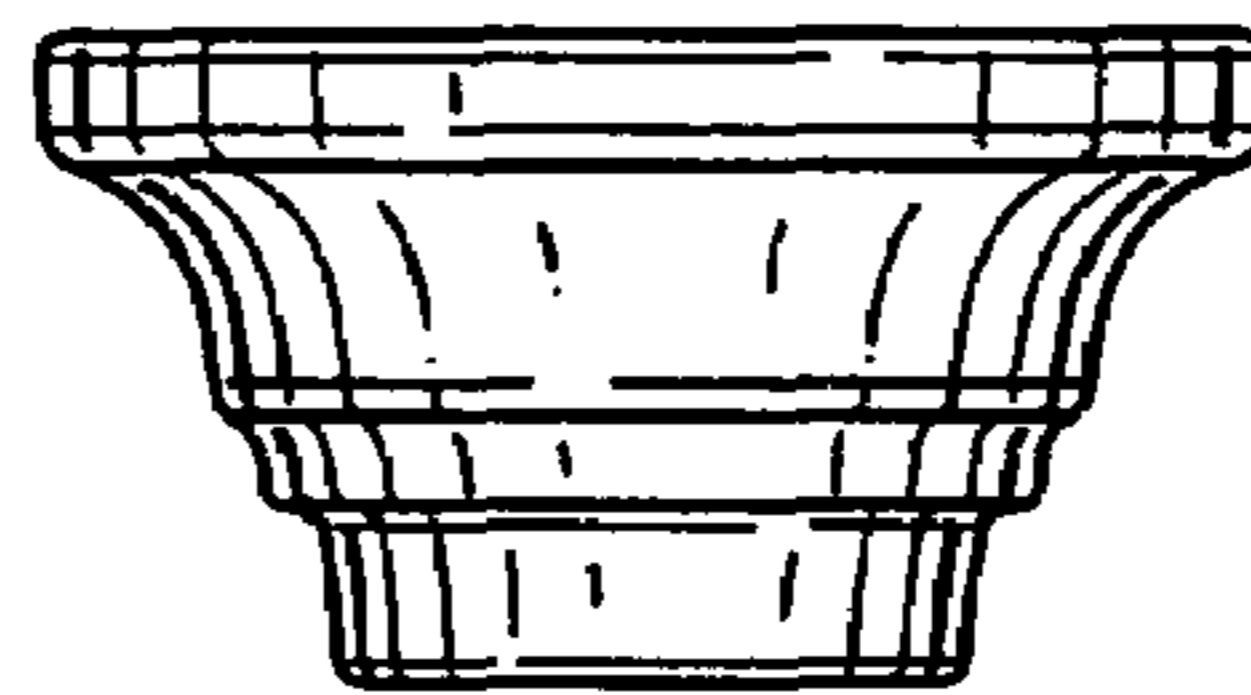


FIG. 4

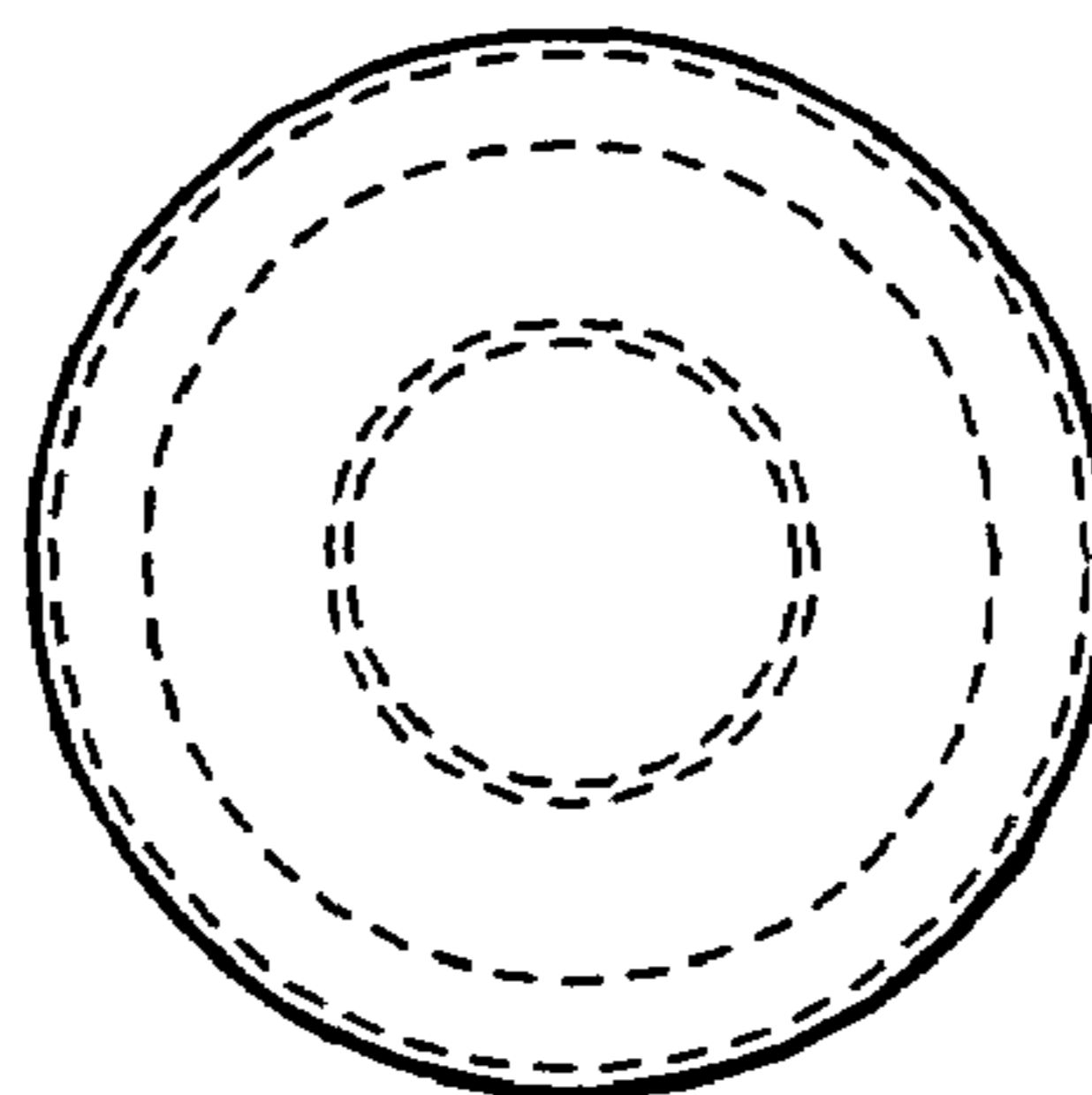


FIG. 5