



US00D565936S

(12) **United States Design Patent**  
**Spadotto**

(10) **Patent No.:** **US D565,936 S**  
(45) **Date of Patent:** **\*\* Apr. 8, 2008**

(54) **HOSE WINDING DEVICE**

(75) Inventor: **Oliviano Spadotto**, Pordenone (IT)

(73) Assignee: **Claber S.p.A.**, Fiume Veneto (PN) (IT)

(\*\*) Term: **14 Years**

(21) Appl. No.: **29/274,515**

(22) Filed: **Apr. 30, 2007**

(30) **Foreign Application Priority Data**

Oct. 31, 2006 (EM) ..... 000623699

(51) **LOC (8) Cl.** ..... **08-05**

(52) **U.S. Cl.** ..... **D8/358; D8/356**

(58) **Field of Classification Search** ..... D8/360.1,  
D8/359, 358, 356; D30/160; D19/69, 67;  
D13/155, 154, 137.4; D10/72; 379/438;  
242/916, 601, 570, 405, 404, 371, 223, 170;  
191/12.4, 12.2 R; 446/26

See application file for complete search history.

(56) **References Cited**

**U.S. PATENT DOCUMENTS**

- D451,075 S \* 11/2001 Hwang ..... D13/154
- D458,534 S \* 6/2002 Morris et al. .... D8/358
- D461,168 S \* 8/2002 Liao ..... D13/155
- D505,859 S \* 6/2005 Suzuki ..... D8/358

\* cited by examiner

*Primary Examiner*—Gary D. Watson

*Assistant Examiner*—Susan Bennett Hattan

(74) *Attorney, Agent, or Firm*—Jacobson Holman PLLC

(57) **CLAIM**

The ornamental design for “hose winding device,” as shown and described.

**DESCRIPTION**

FIG. 1 shows a perspective view of a hose winding device; FIG. 2 shows a right-hand lateral view of the hose winding device of FIG. 1;

FIG. 3 shows a left-hand lateral view of the hose winding device of FIG. 1;

FIG. 4 shows a top view of the hose winding device of FIG. 1;

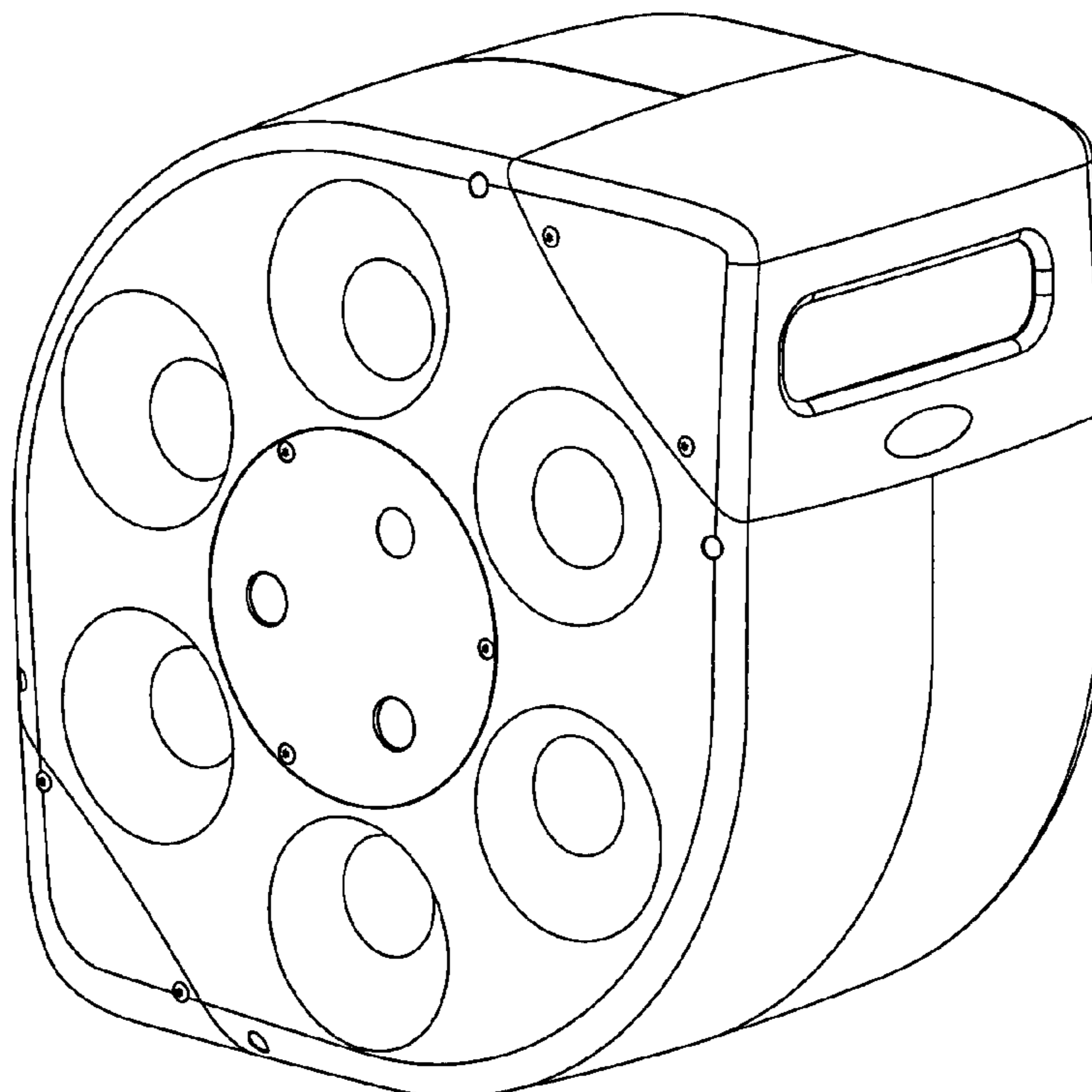
FIG. 5 shows a bottom view of the hose winding device of FIG. 1;

FIG. 6 shows a rear view of the hose winding device of FIG. 1; and,

FIG. 7 shows a front view of the hose winding device of FIG. 1.

The broken lines in the drawing depict environmental subject matter only and form no part of the claimed design.

**1 Claim, 7 Drawing Sheets**



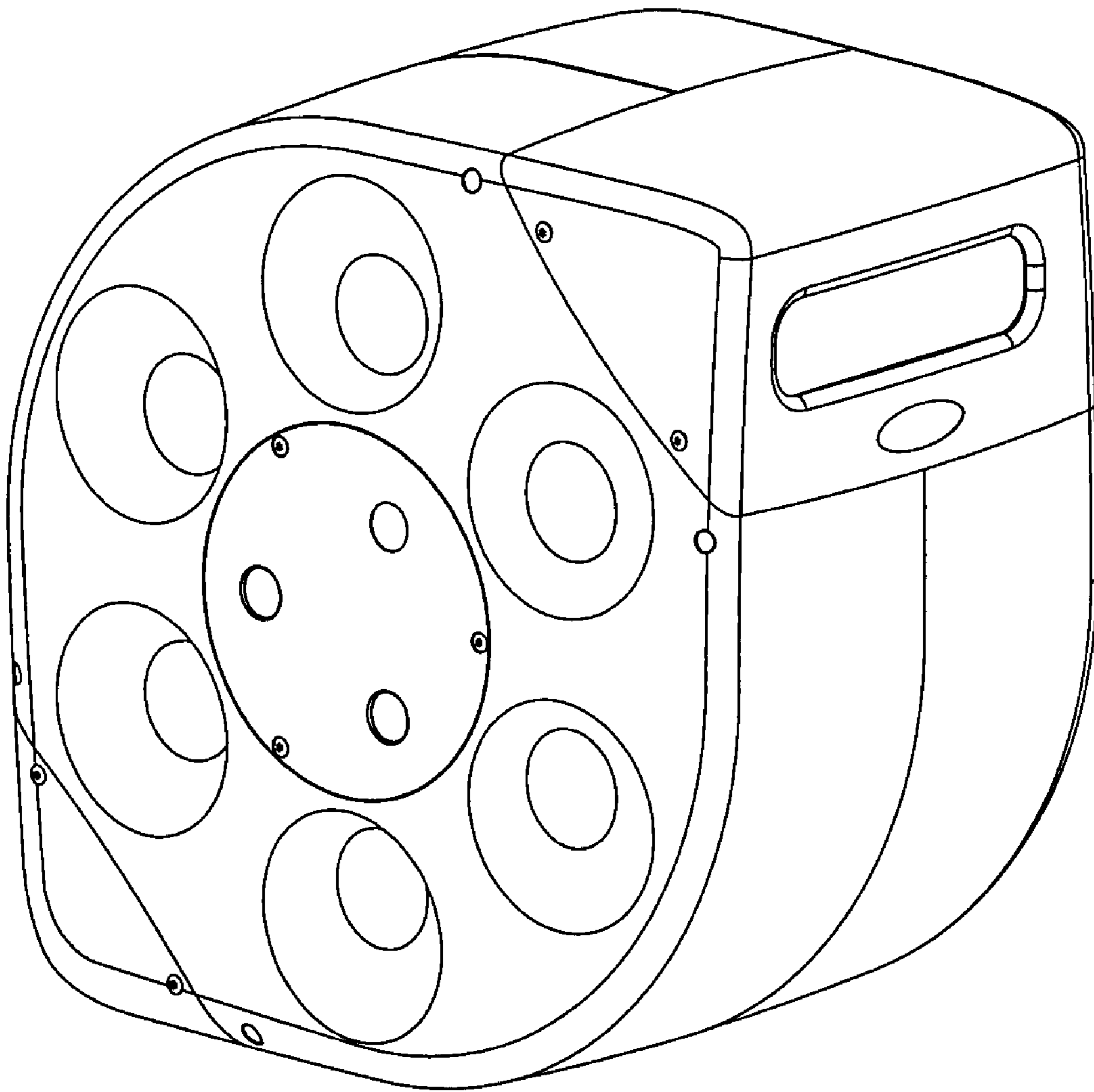


FIG. 1

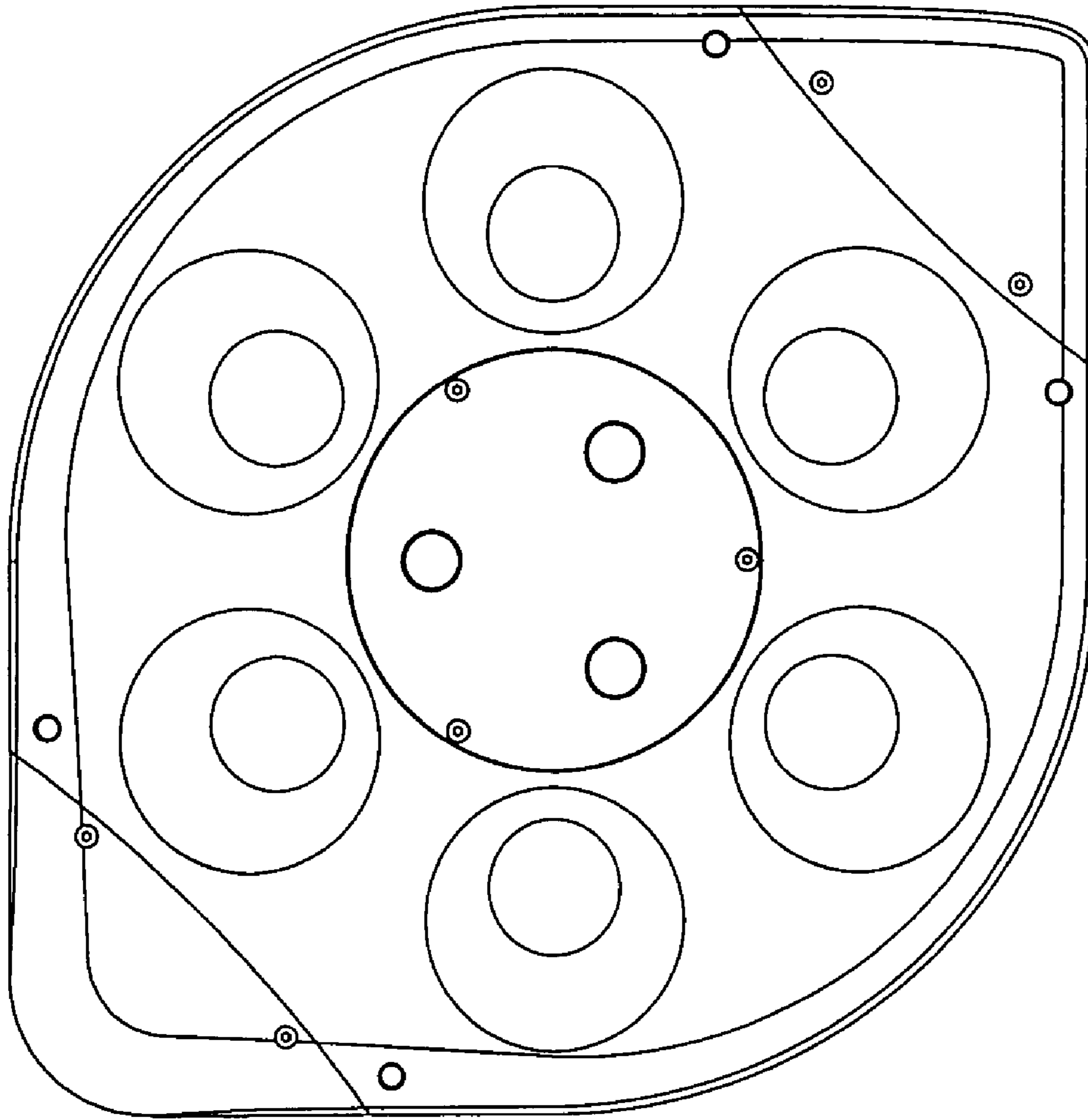


FIG.2

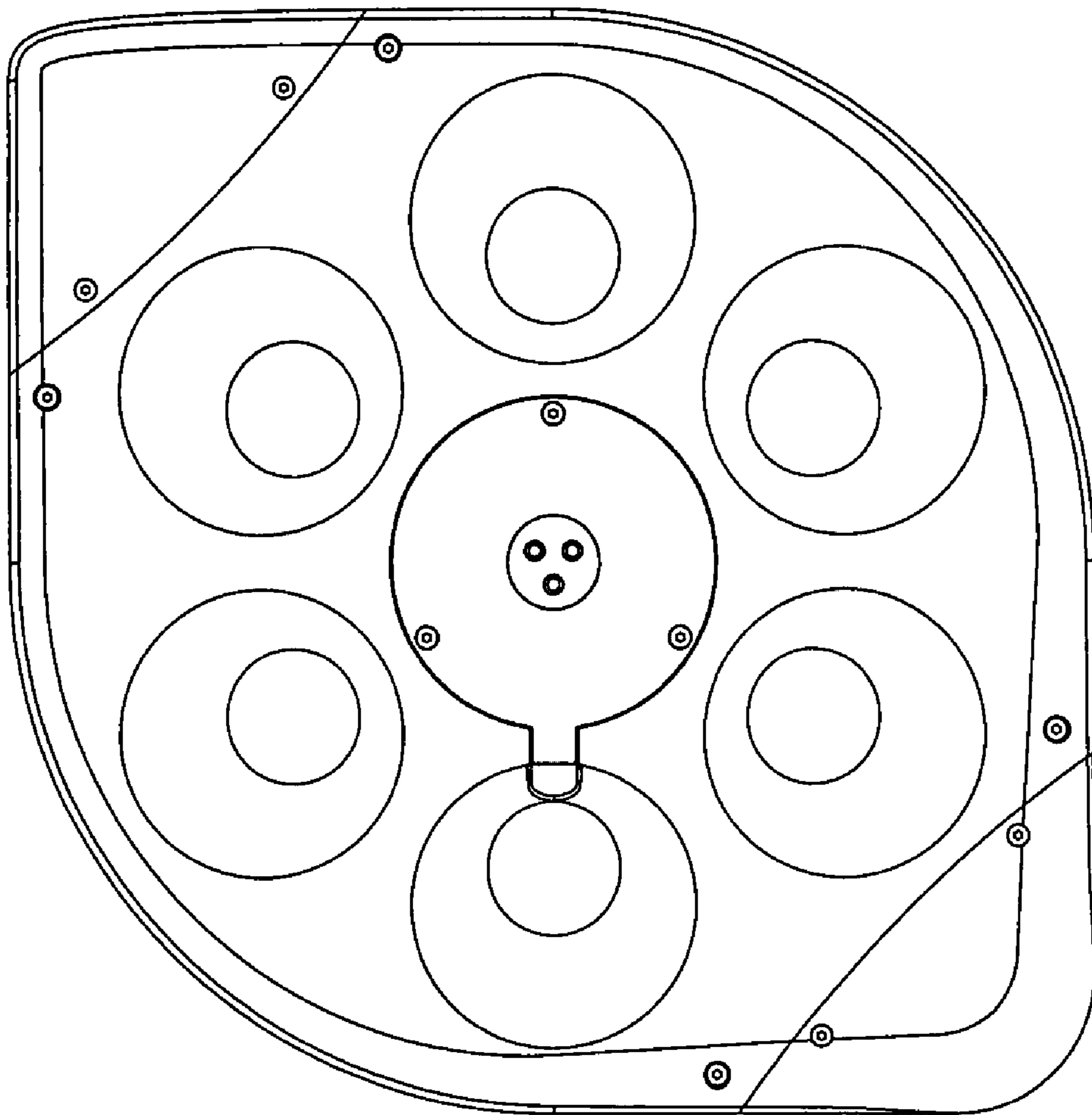


FIG. 3

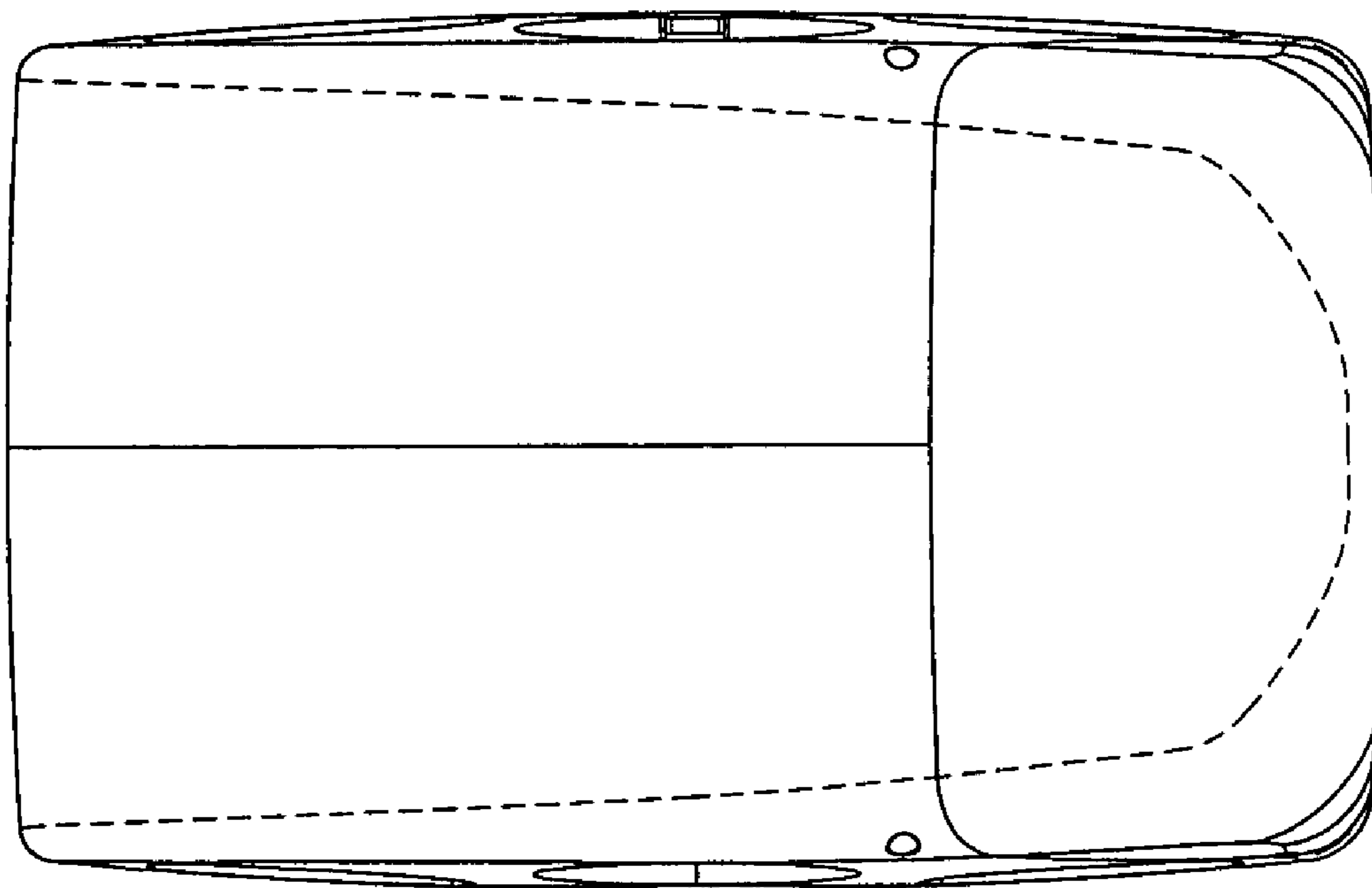


FIG. 4

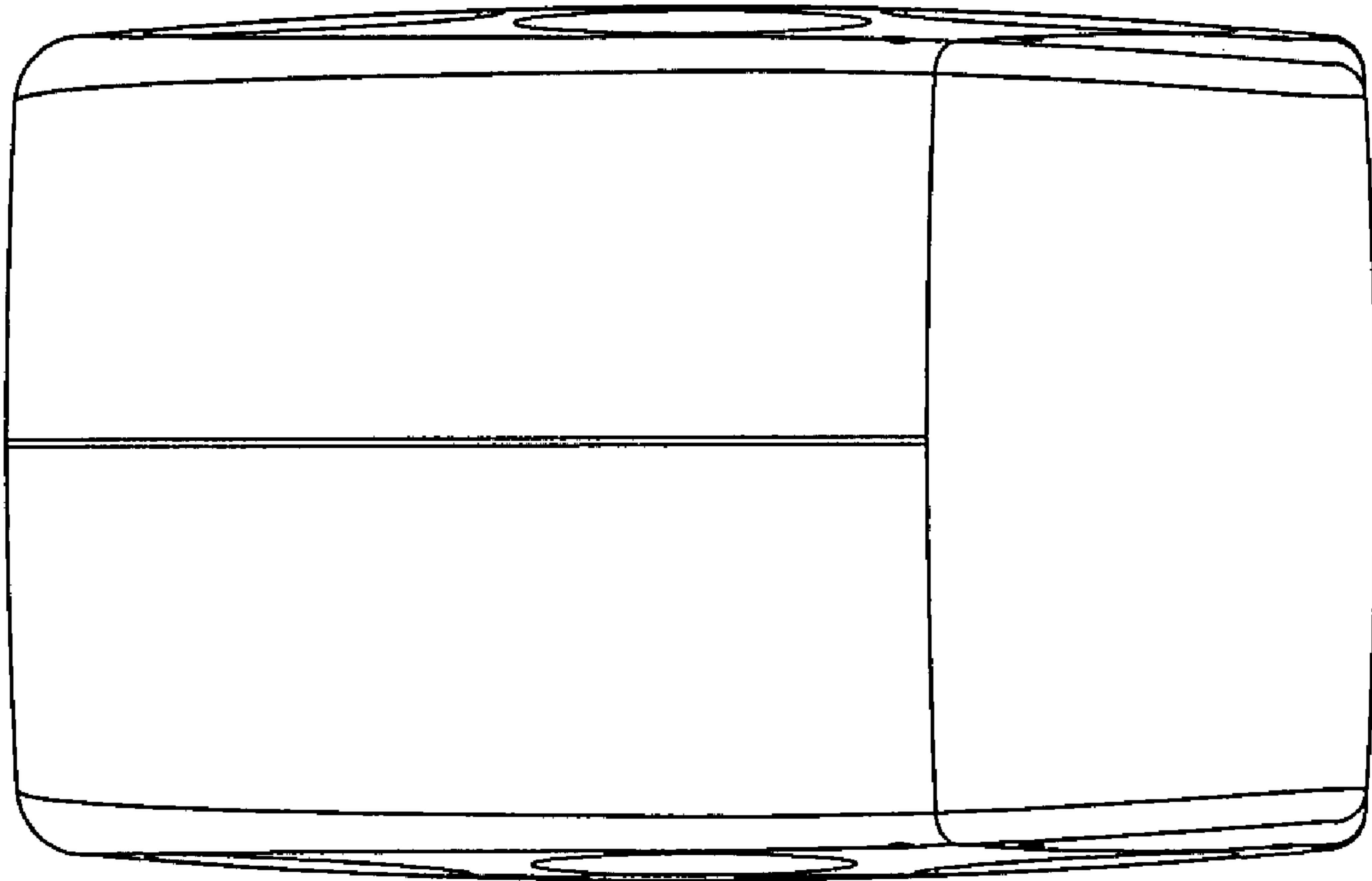


FIG. 5

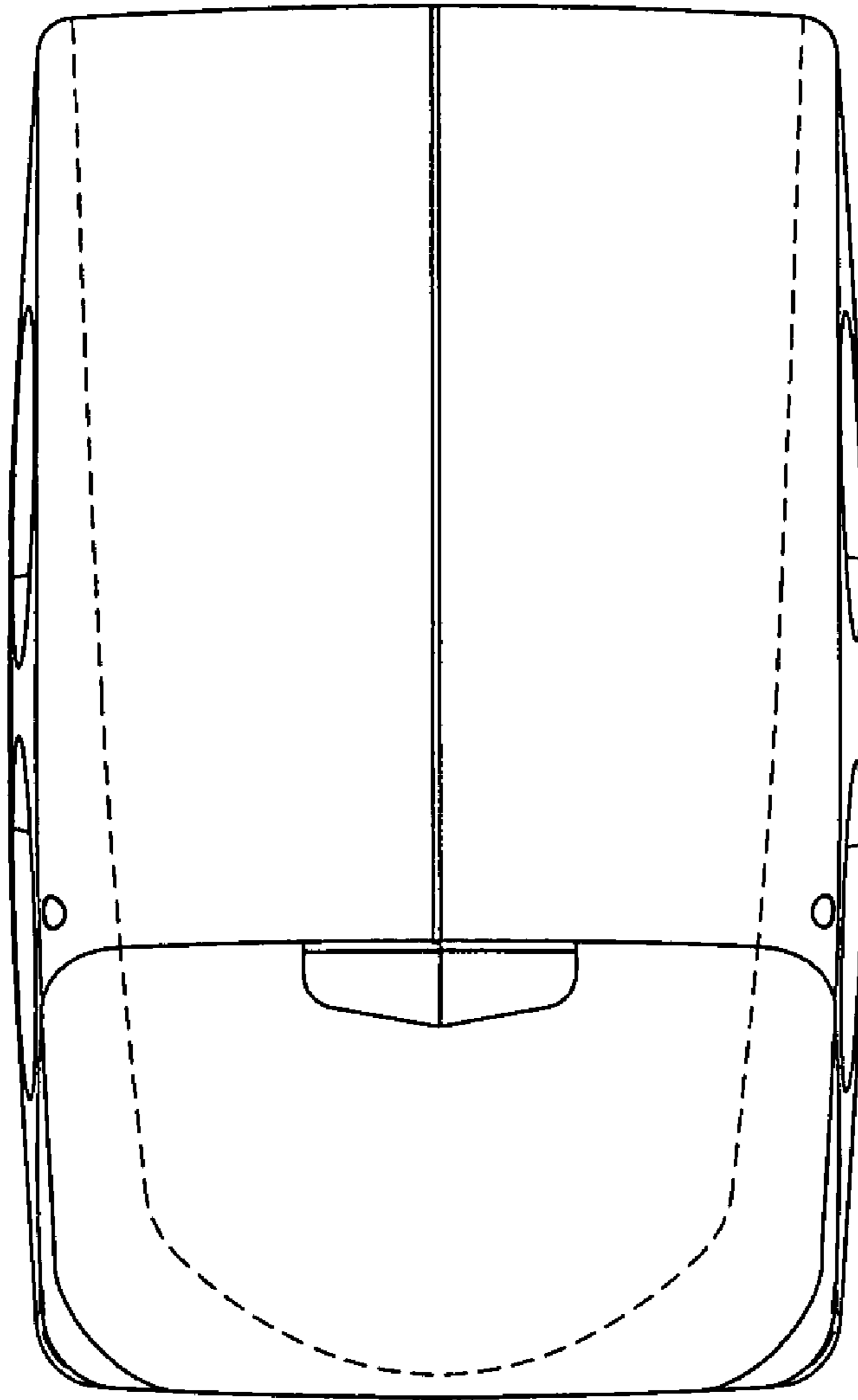


FIG. 6

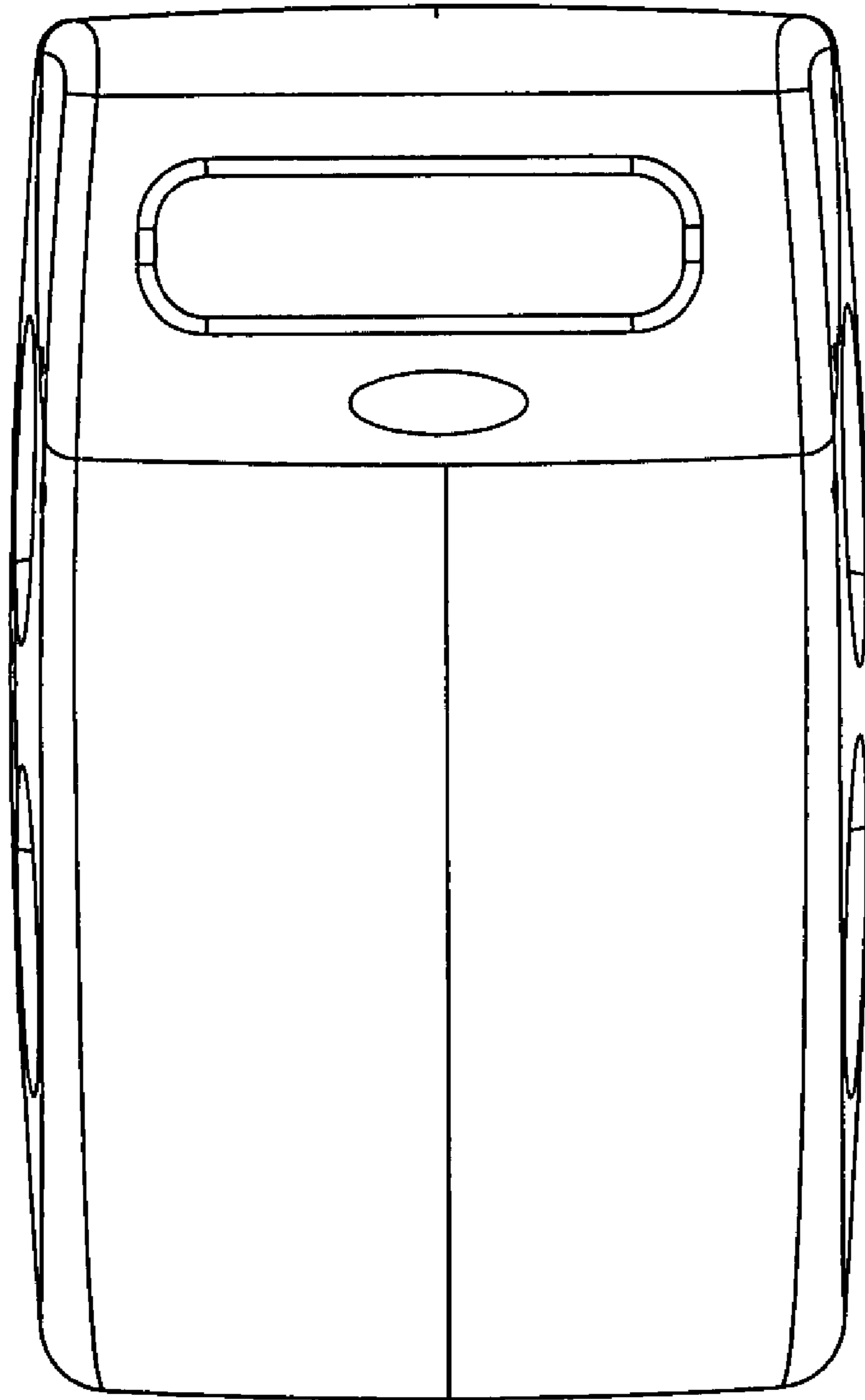


FIG. 7