



US00D565935S

(12) **United States Design Patent**
Selby

(10) **Patent No.:** **US D565,935 S**

(45) **Date of Patent:** **** Apr. 8, 2008**

(54) **TIE-DOWN BRACKET**

(75) Inventor: **Ricky W. Selby**, Moosup, CT (US)

(73) Assignee: **Keeper Corporation**, North Windham, CT (US)

(**) Term: **14 Years**

(21) Appl. No.: **29/260,646**

(22) Filed: **May 30, 2006**

(51) **LOC (8) Cl.** **08-05**

(52) **U.S. Cl.** **D8/356**

(58) **Field of Classification Search** D8/105,
D8/107, 333, 349, 354, 356, 358, 367, 373,
D8/382, 383, 394-396; D23/261; D26/38;
24/197, 561; 174/153 G; 242/400.1, 405.1,
242/405.2, 600, 916; 248/65, 74.1-74.4,
248/214, 215, 229.26, 201, 302, 204, 316.7,
248/316.8, 499; 439/501; D34/38; 108/57.25;
410/101, 106

See application file for complete search history.

(56) **References Cited**

U.S. PATENT DOCUMENTS

448,550	A *	3/1891	Scott et al.	248/65
D25,670	S *	6/1896	Fegan	D8/308
1,233,932	A *	7/1917	Swafford	24/197
1,528,119	A *	3/1925	Ludwig	24/135 R
1,528,747	A *	3/1925	Allen	24/133
2,166,989	A *	7/1939	Gleason	403/384
2,340,560	A *	2/1944	Rempt	174/40 CC
3,054,586	A *	9/1962	Kirkup	248/74.1
3,054,587	A *	9/1962	Hebenstreit et al.	248/74.1
D199,518	S *	11/1964	Swinders et al.	D8/373
4,431,352	A *	2/1984	Andrews	410/101
4,641,986	A *	2/1987	Tsui et al.	403/164

(Continued)

Primary Examiner—T. Chase Nelson

Assistant Examiner—Karen Acker

(74) *Attorney, Agent, or Firm*—M. P. Williams

(57) **CLAIM**

I claim the ornamental design for a tie-down bracket, as shown and described.

DESCRIPTION

FIG. 1 is a perspective view of that portion of the present invention which is visible when the invention is installed for use.

FIG. 2 is a perspective view of the invention with the parts separated so as to permit installation.

FIG. 3 is an exploded view of the tie-down bracket of the present invention.

FIG. 4 is a top plan view of the tie-down bracket of the present invention.

FIG. 5 is a front elevation view of the tie-down bracket of the present invention, with the tie-down ring in a lowered position; the rear elevation view being a mirror image.

FIG. 6 is a side elevation view of the tie-down bracket of the present invention with the tie-down ring in a lowered position; the opposite side elevation view being a mirror image.

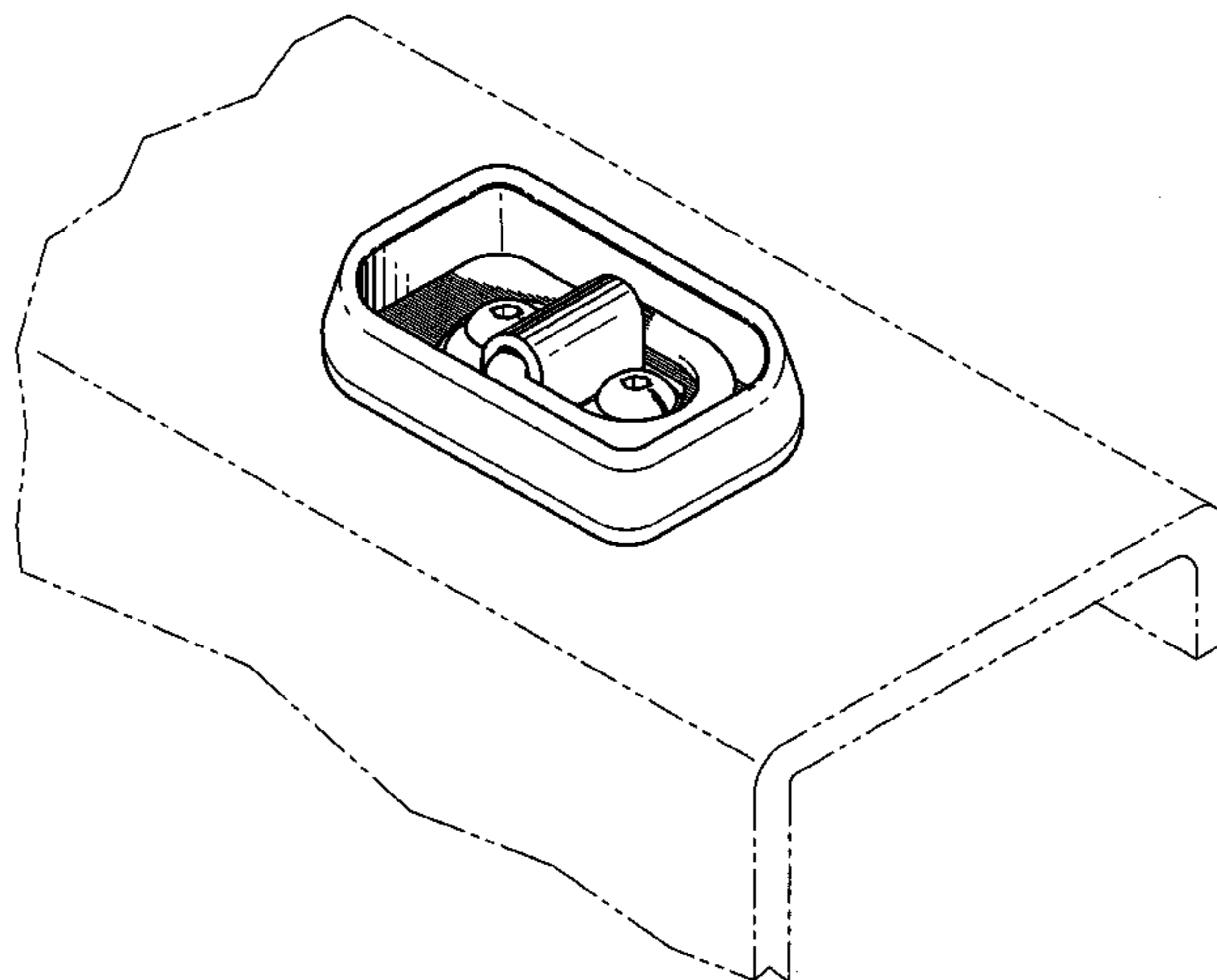
FIG. 7 is a front elevation view of the tie-down bracket of the present invention with the tie-down ring in a raised position; the rear elevation view being a mirror image.

FIG. 8 is a side elevation view of the tie-down bracket of the present invention with the tie-down ring in the raised position; the opposite side elevation view being a mirror image; and,

FIG. 9 is a bottom plan view of the tie-down bracket of the present invention.

The environmental structure rendered in broken line in FIGS. 1 and 2 and the guidelines showing alignment of the invention's assembly in broken line in FIG. 3 are for illustration only and form no part of the claimed design.

1 Claim, 3 Drawing Sheets



US D565,935 S

Page 2

U.S. PATENT DOCUMENTS

4,699,410	A *	10/1987	Seidel	294/1.1	D407,298	S *	3/1999	Hemphill	D8/367
D292,690	S *	11/1987	Knutson	D12/202	D408,267	S	4/1999	Egigian et al.	
4,715,754	A *	12/1987	Scully	410/107	6,138,975	A *	10/2000	McDaid	248/499
D311,326	S *	10/1990	Nelson	D8/356	6,139,235	A *	10/2000	Vander Koy et al.	410/111
D342,953	S *	1/1994	Yoder	D14/238	6,213,696	B1 *	4/2001	Austin	410/106
5,456,443	A *	10/1995	Taaffe	248/551	6,969,219	B2 *	11/2005	Speece et al.	410/106
D401,211	S *	11/1998	Simpson	D12/223	2005/0163582	A1 *	7/2005	Roh	410/106

* cited by examiner

FIG.1

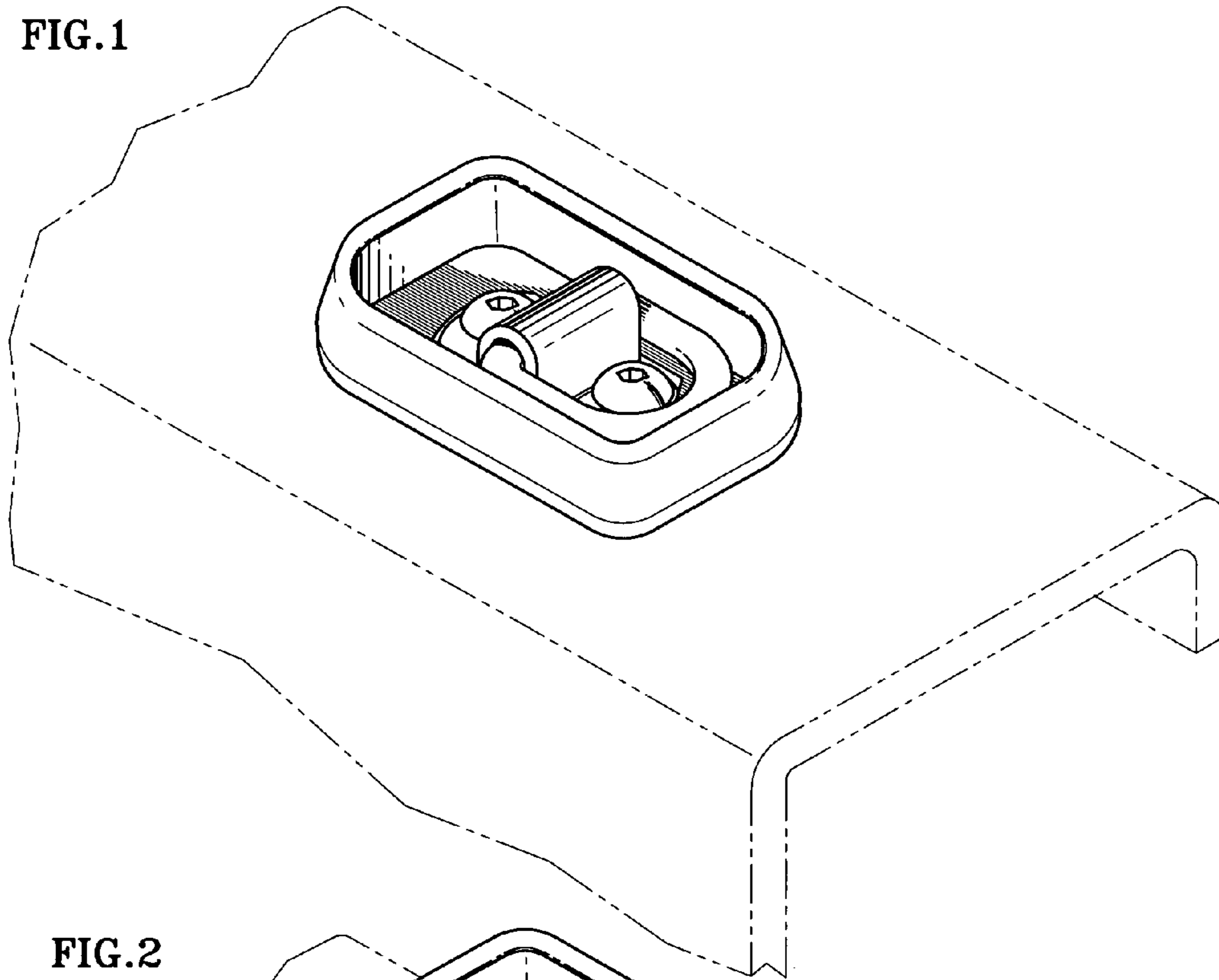


FIG.2

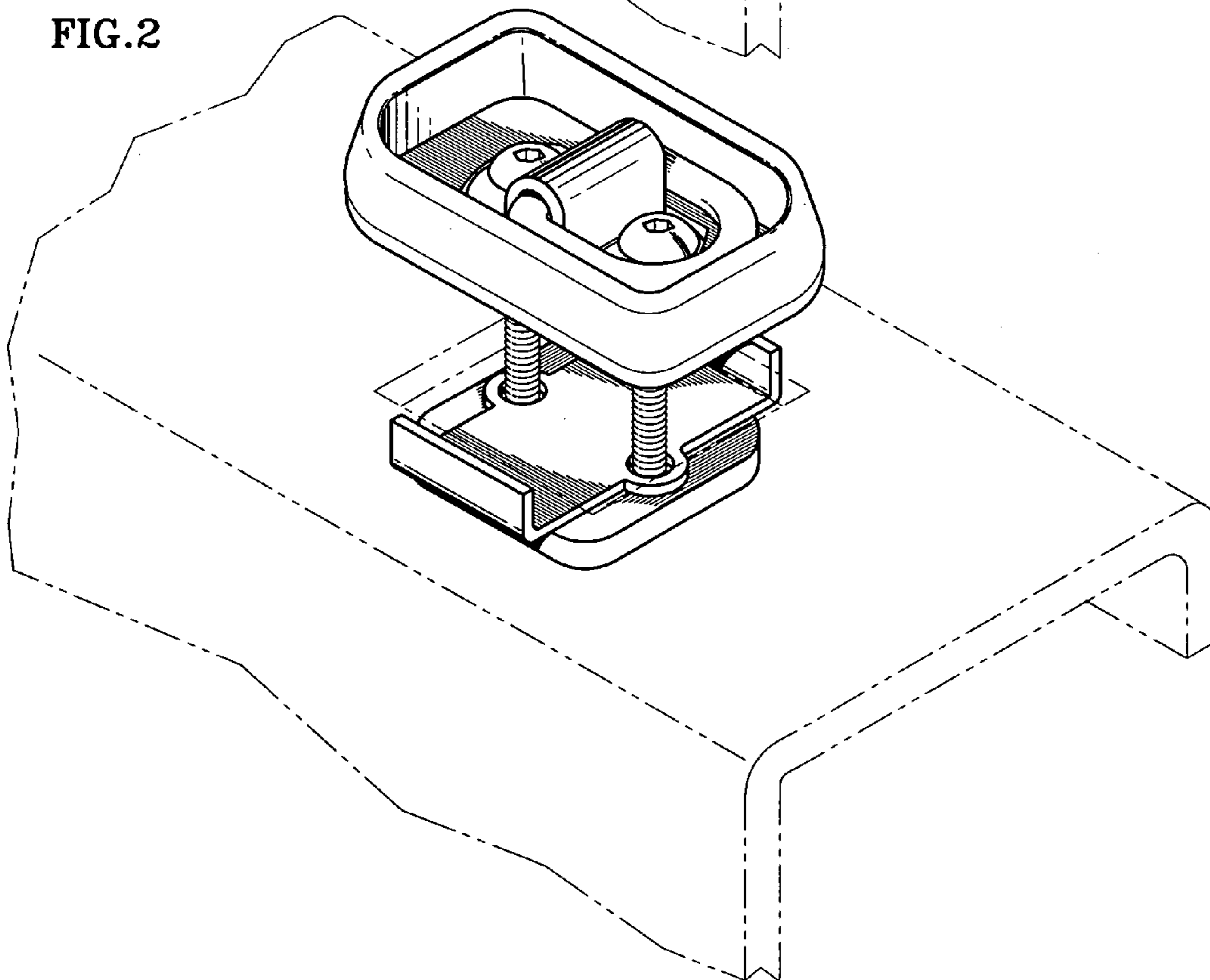


FIG. 3

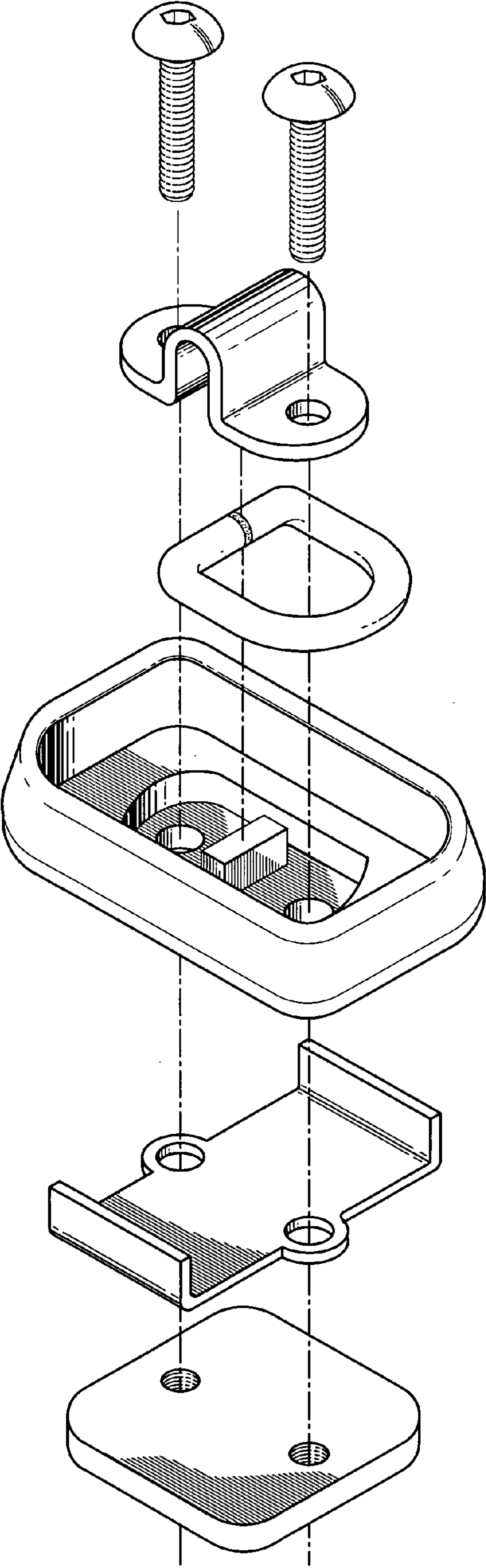


FIG.4

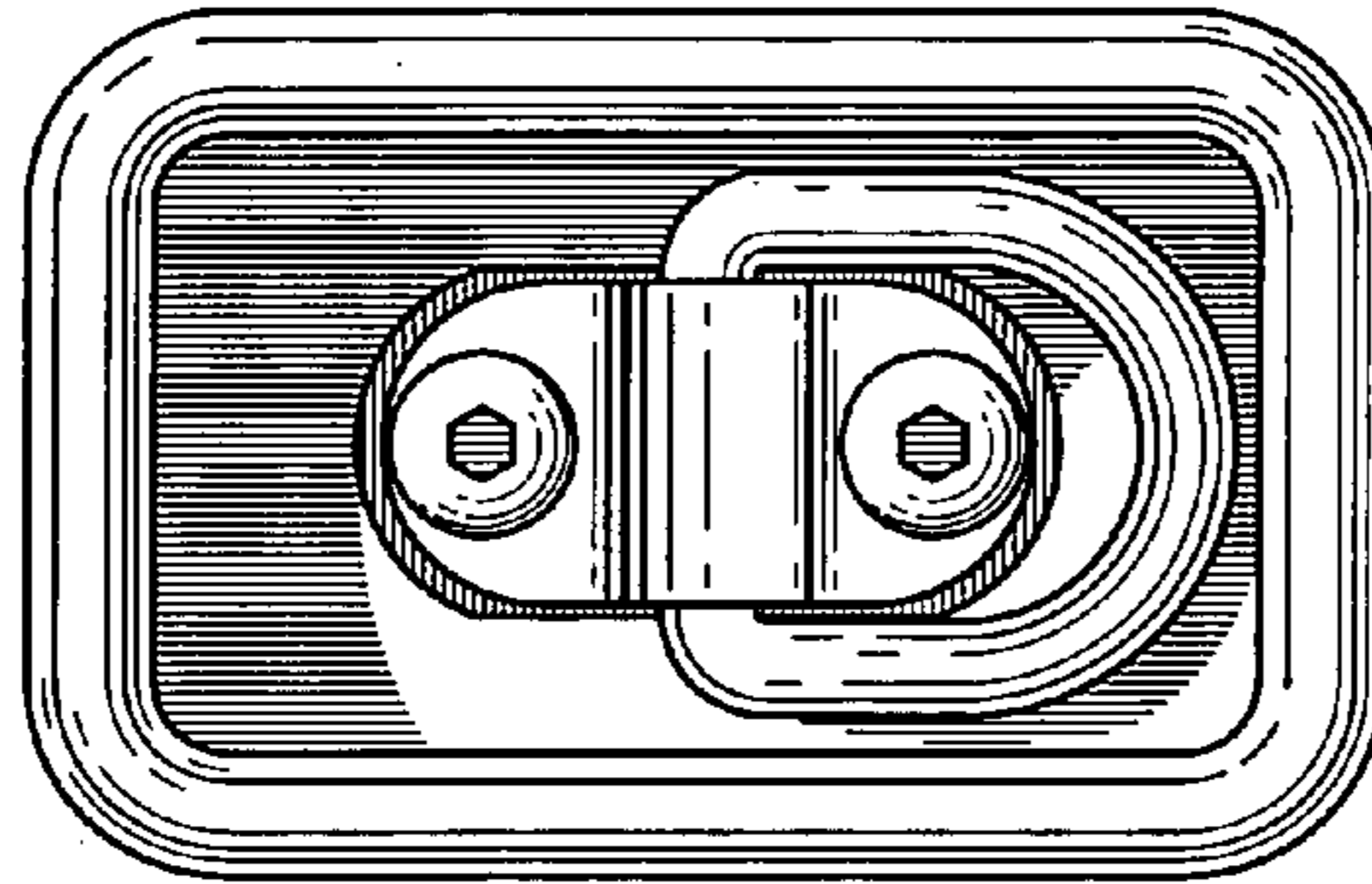


FIG.5

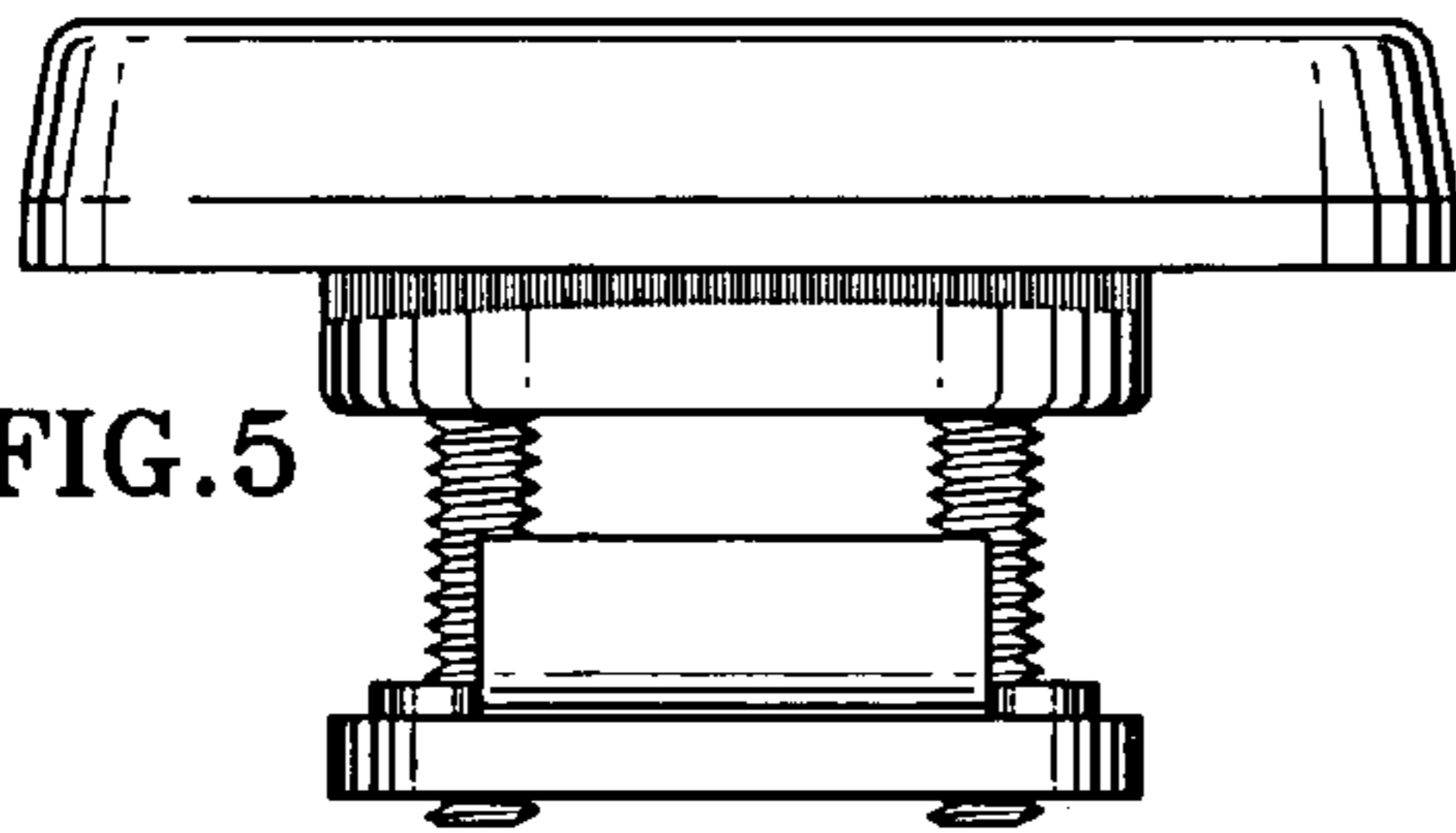


FIG.6

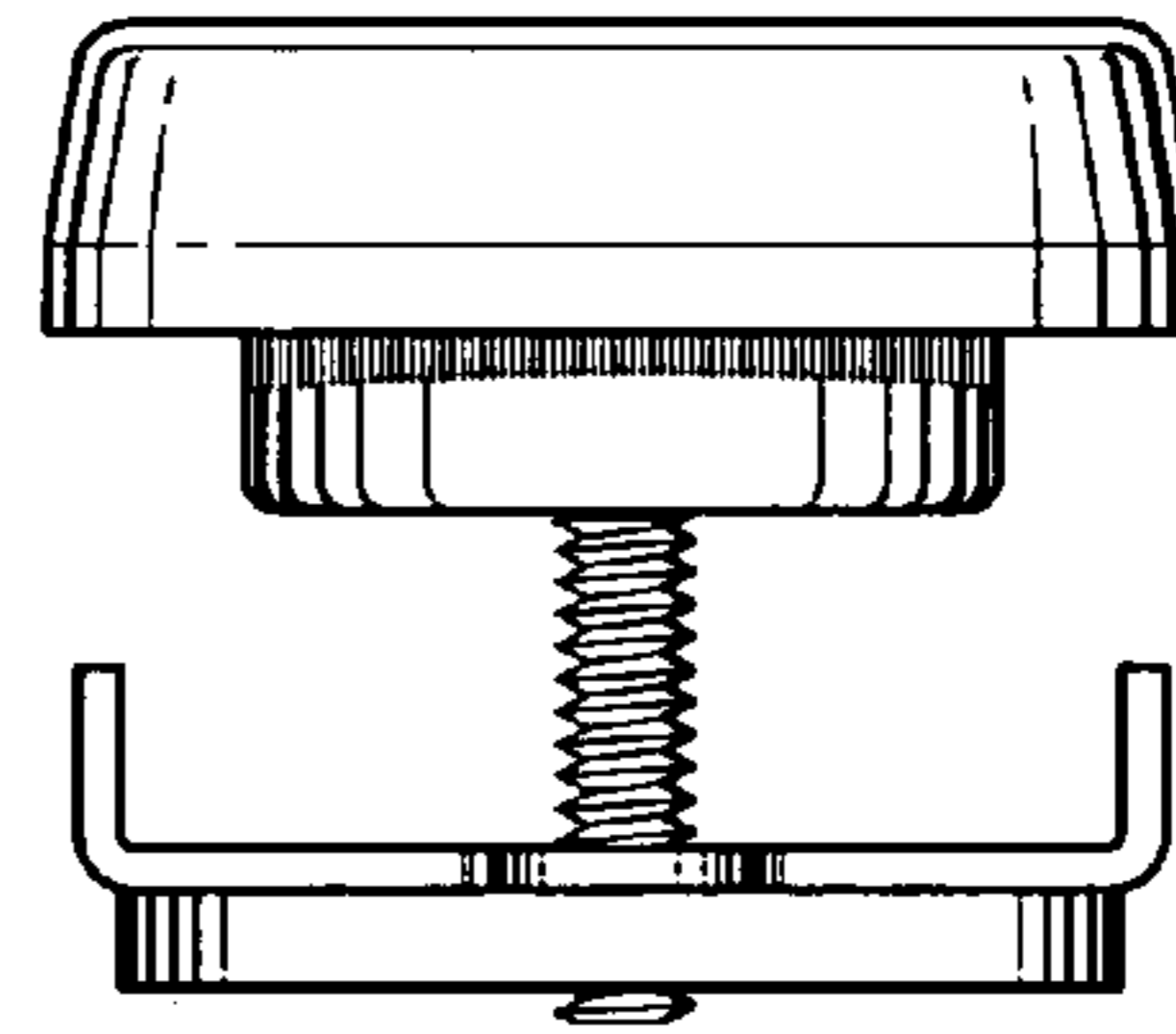


FIG.7

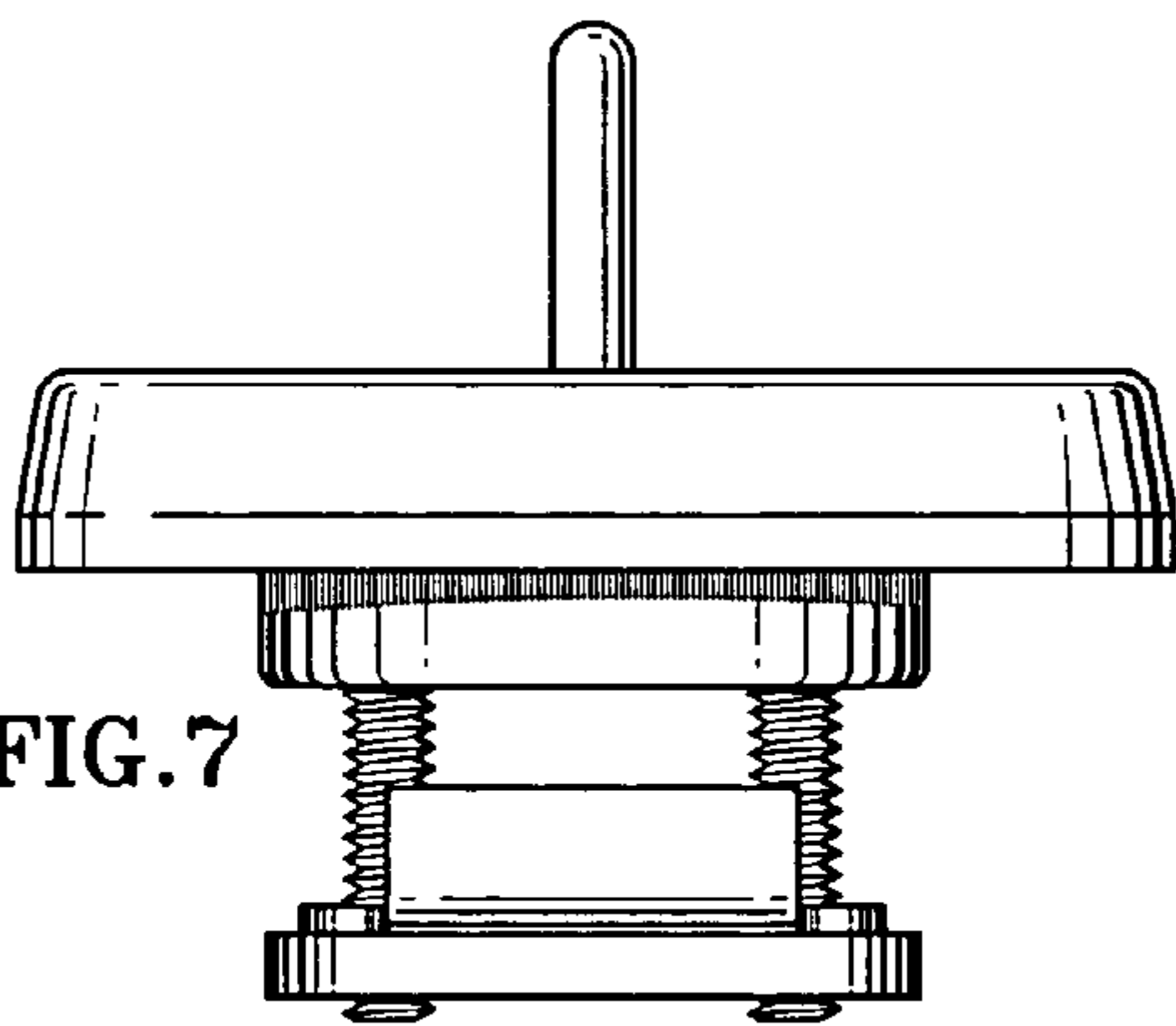


FIG.8

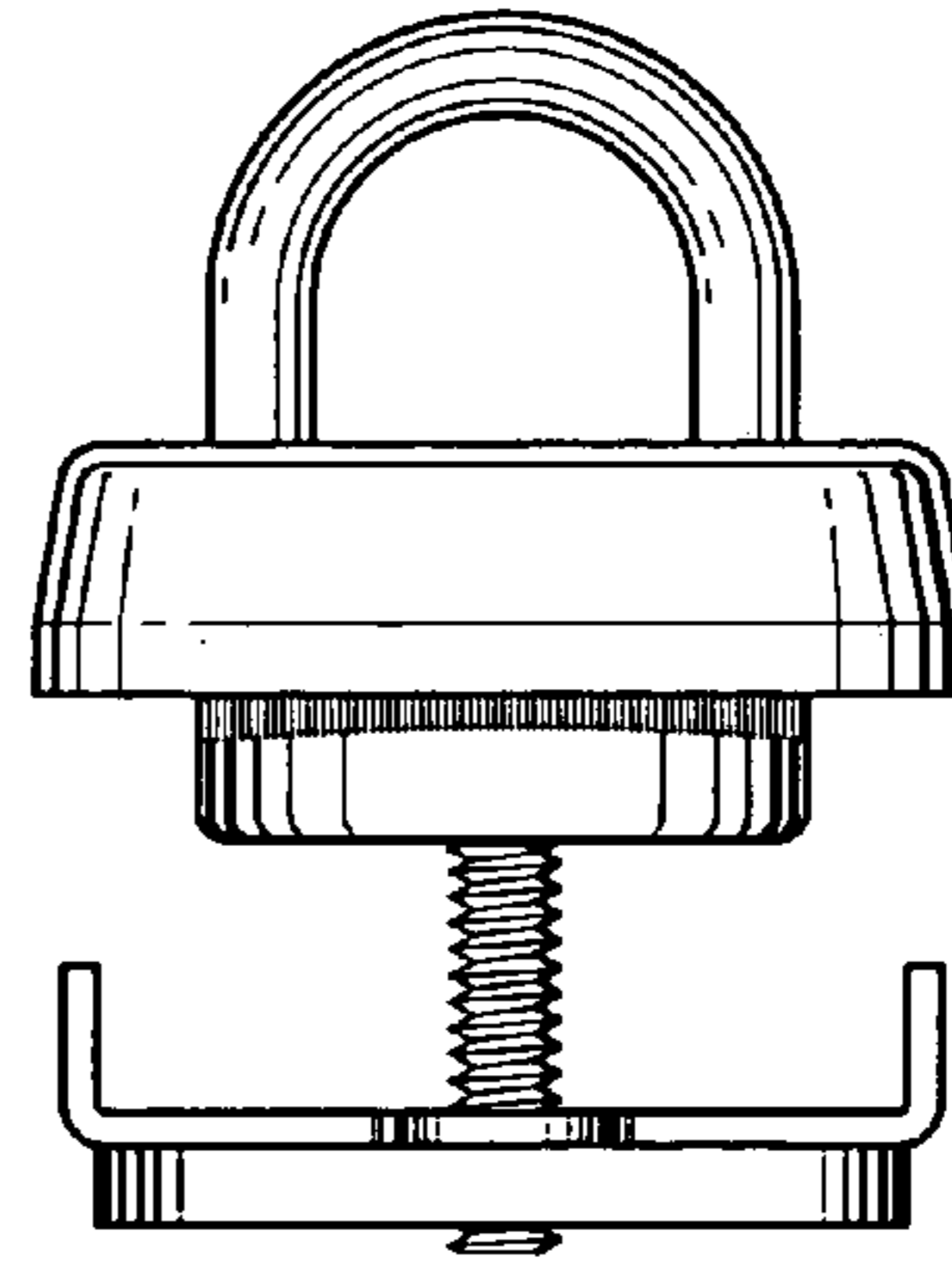


FIG.9

